



US00D419808S

United States Patent [19] Hampshire

[11] **Patent Number: Des. 419,808**

[45] **Date of Patent: ** Feb. 1, 2000**

[54] **BASKET WITH SUCTION CUPS**

D. 362,780 10/1995 Hampshire D6/567
D. 388,993 1/1998 Hampshire D6/567
4,530,479 7/1985 Chen 248/309.1

[75] Inventor: **James Hampshire**, Solon, Ohio

[73] Assignee: **InterDesign, Inc.**, Solon, Ohio

[**] Term: **14 Years**

Primary Examiner—Brian N. Vinson
Attorney, Agent, or Firm—D. Peter Hochberg

[21] Appl. No.: **29/098,590**

[22] Filed: **Dec. 31, 1998**

[57] **CLAIM**

The ornamental design for a basket with suction cups, as shown and described.

[51] **LOC (7) Cl.** **07-07**

[52] **U.S. Cl.** **D6/553; D6/525; D3/304**

[58] **Field of Search** D6/524–535, 536–540, D6/553, 567, 574; 206/77.1, 557, 562–563; 211/13.1, 60.1, 70.6, 70.7, 71, 74–75, 86–88, 90, 126.1, 134; 220/908; 248/126.1, 309.1, 907; D3/304, 315; D19/75, 86

DESCRIPTION

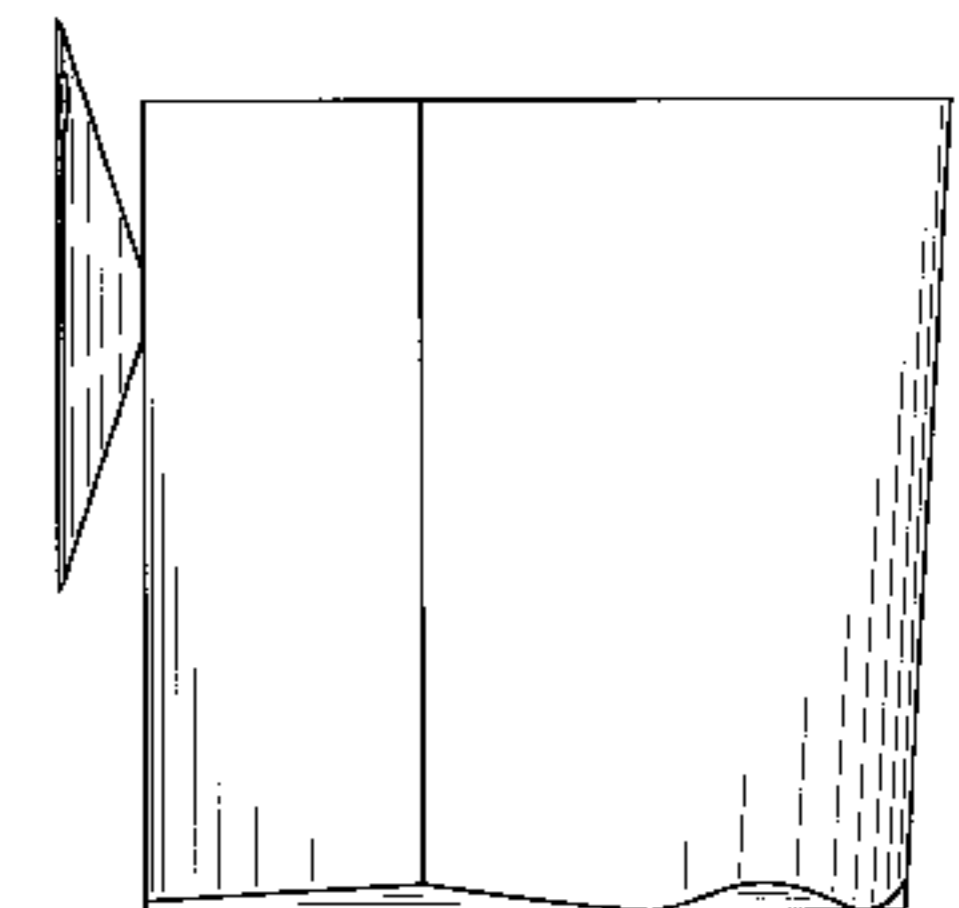
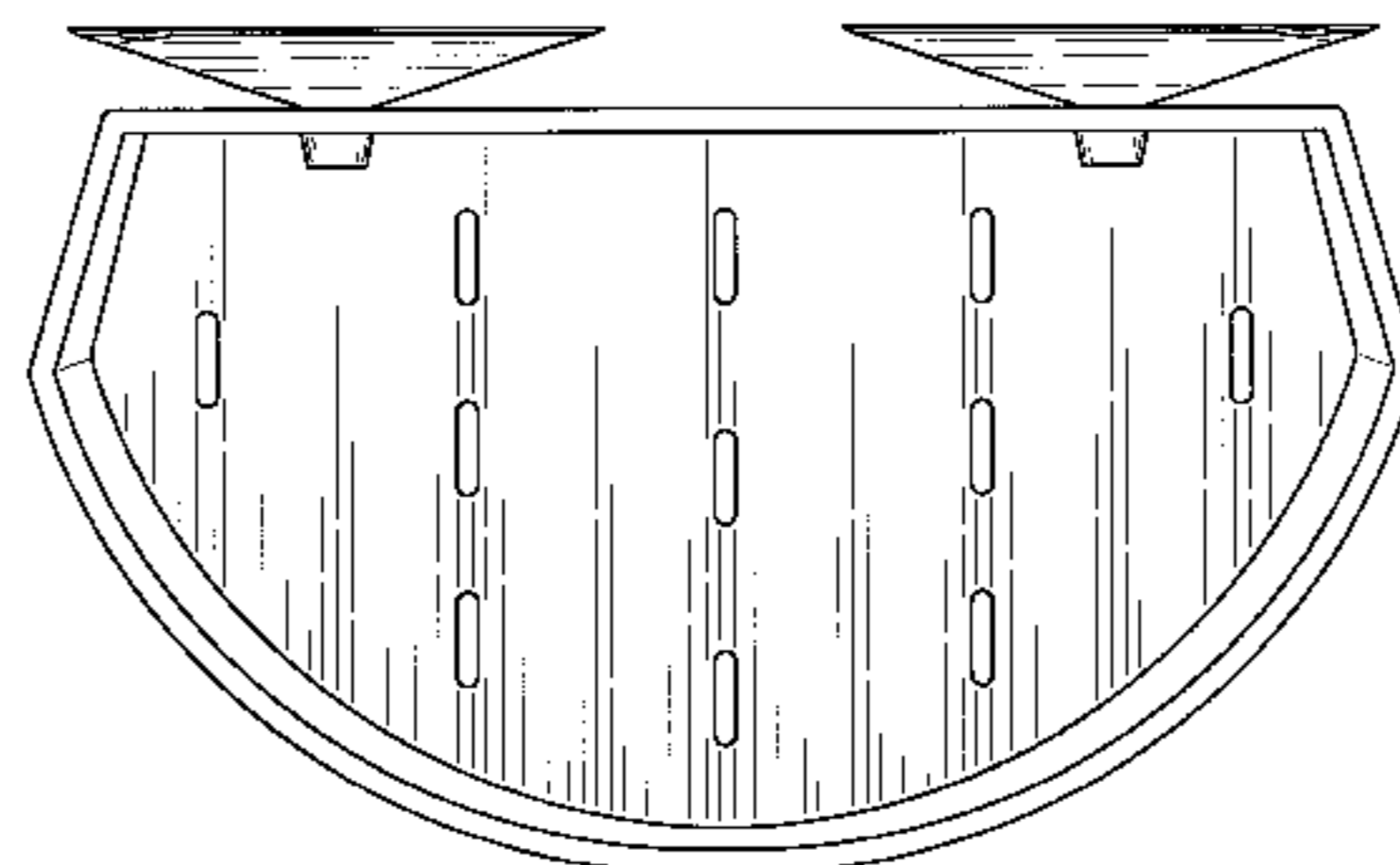
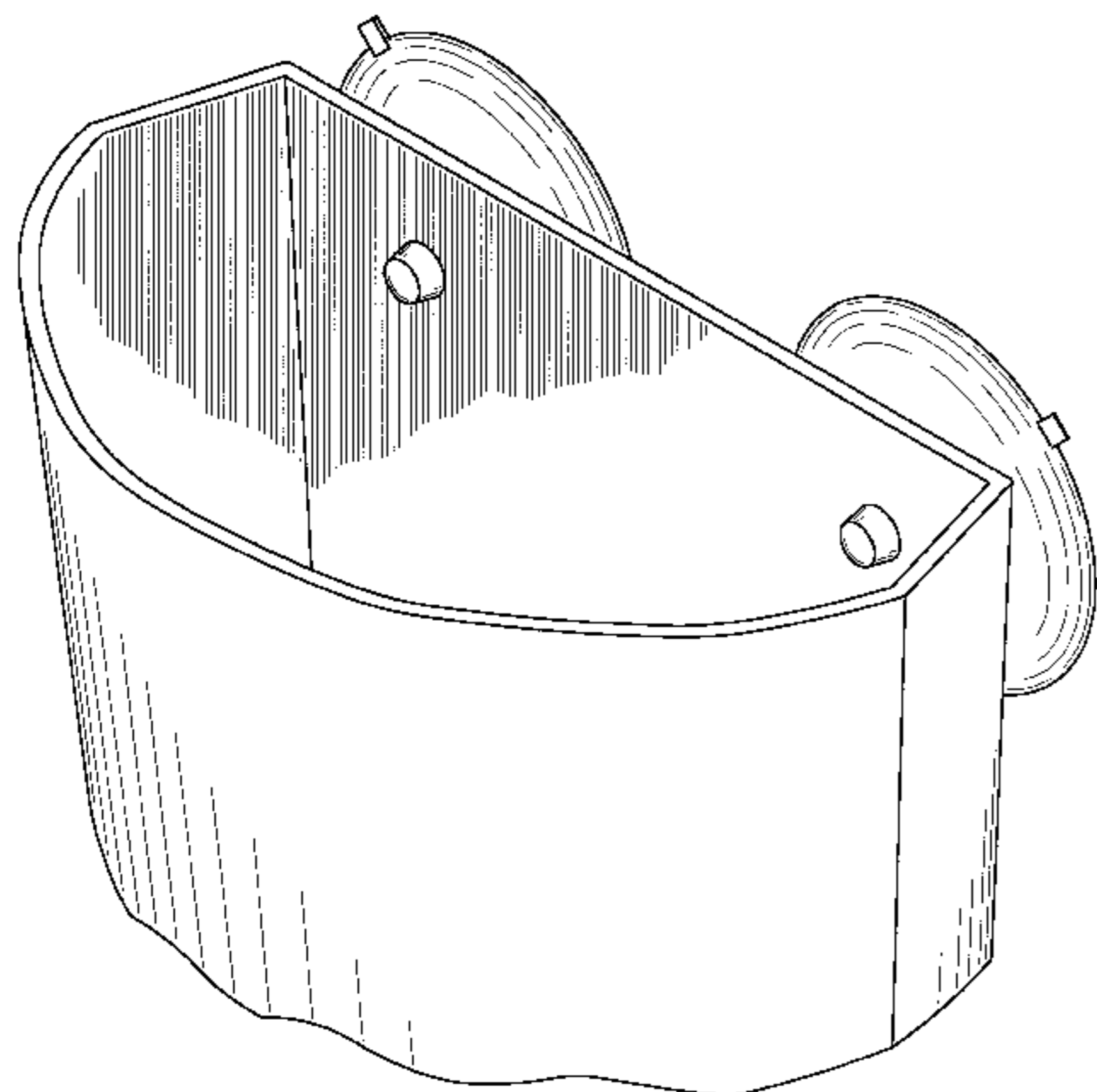
FIG. 1 is a perspective view of the basket with suction cups according to the invention;
FIG. 2 is a top view of the basket with suction cups as shown in FIG. 1;
FIG. 3 is a front view of the basket with suction cups as shown in FIG. 1;
FIG. 4 is a back view of the basket with suction cups as shown in FIG. 1;
FIG. 5 is a bottom view of the basket with suction cups as shown in FIG. 1; and,
FIG. 6 is a side view of the basket with suction cups as shown in FIG. 1.

[56] **References Cited**

U.S. PATENT DOCUMENTS

D. 83,439 2/1931 Gruendl D6/524 X
D. 104,934 6/1937 Whited D6/524 X
D. 332,543 1/1993 Crook et al. D6/524 X
D. 332,679 1/1993 Hines D6/567 X

1 Claim, 4 Drawing Sheets



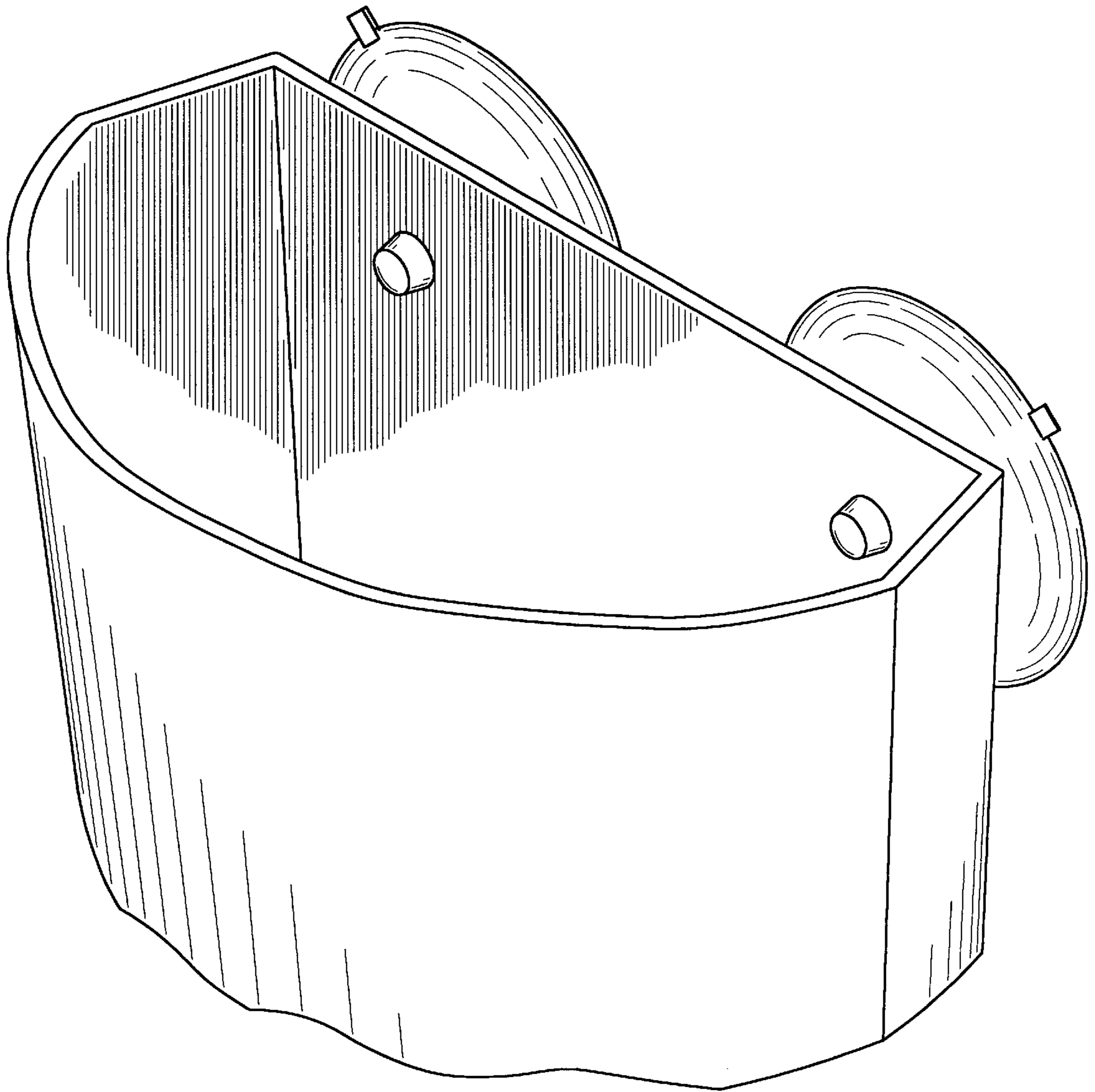


FIG-1

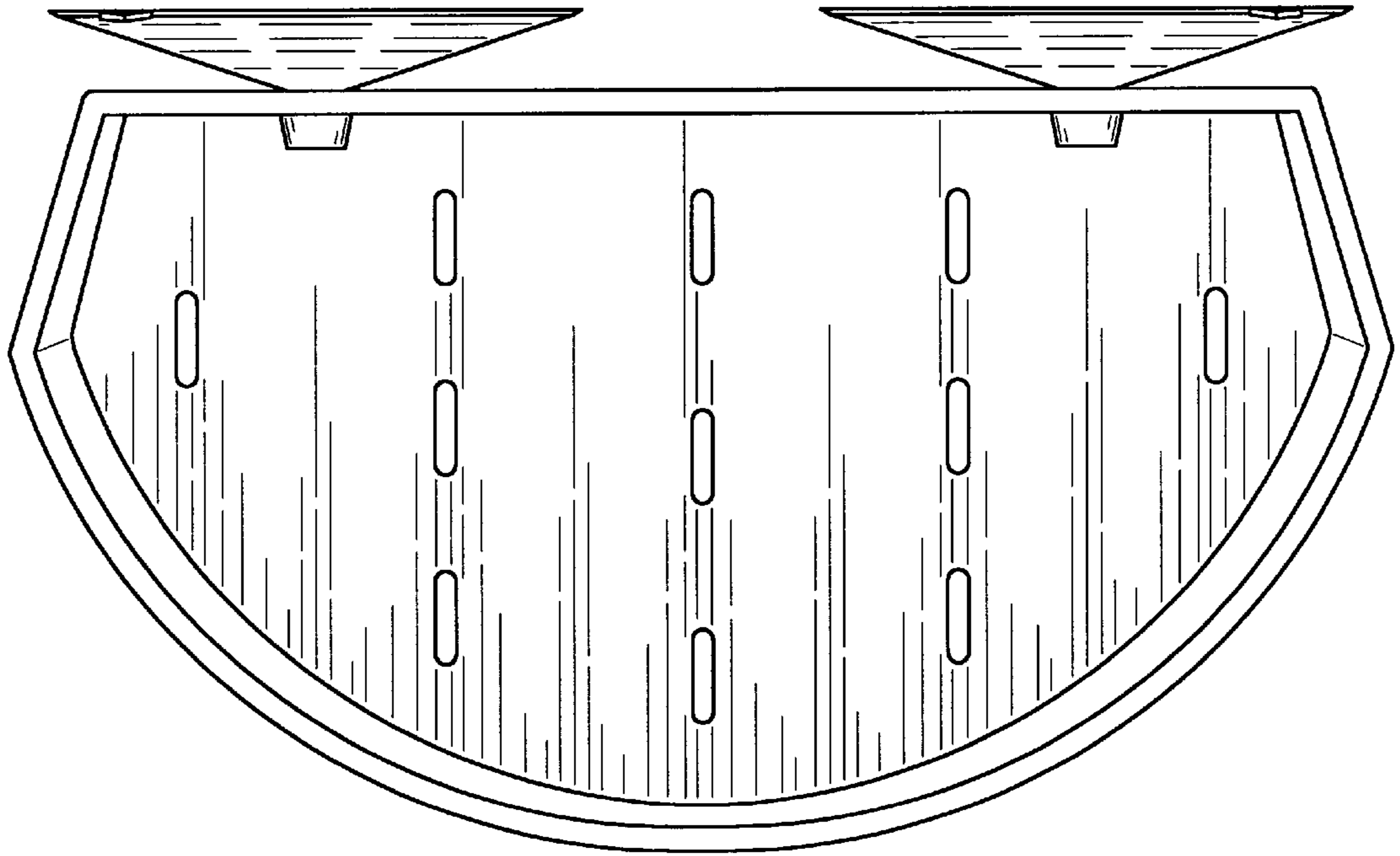


FIG-2

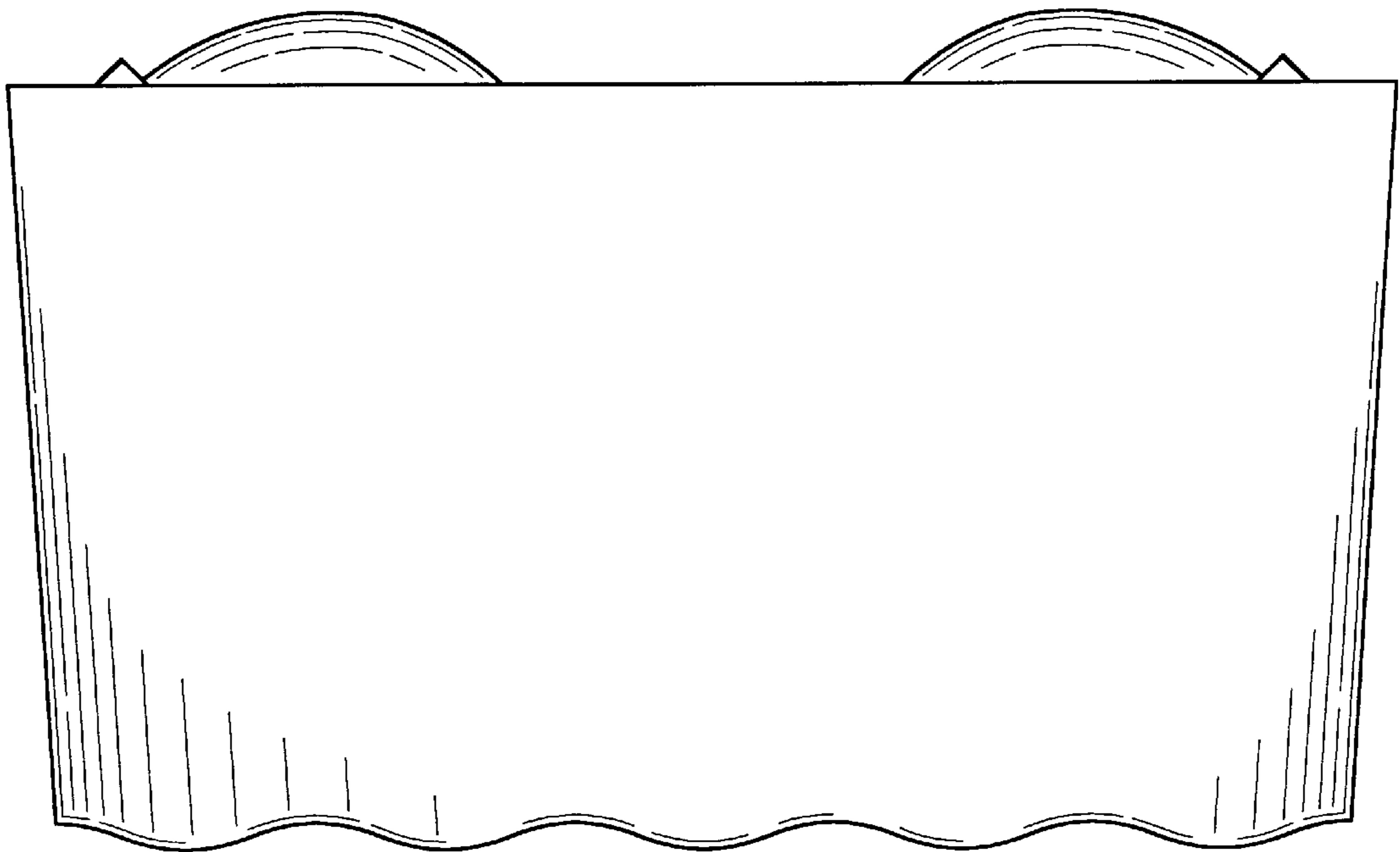


FIG-3

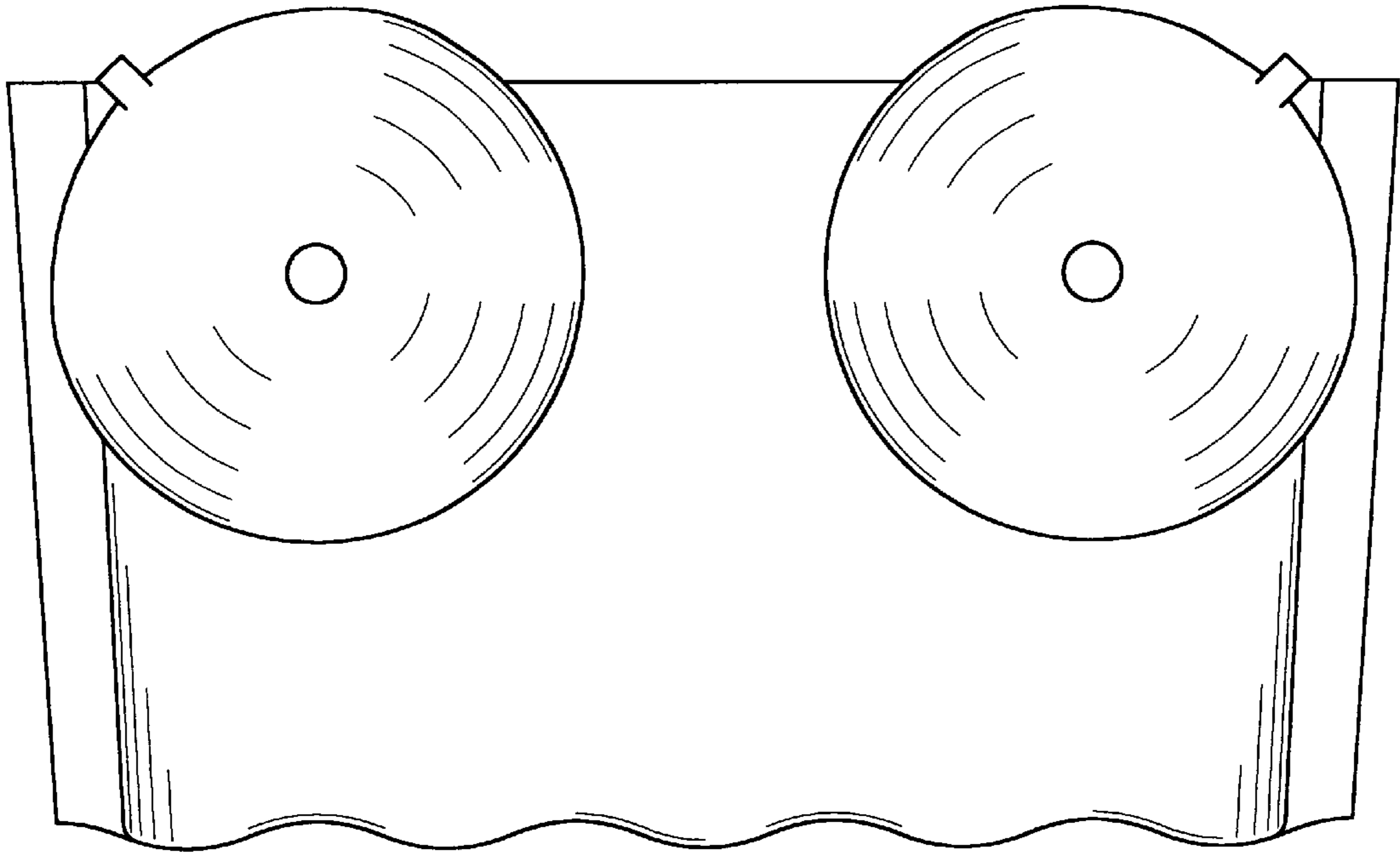


FIG-4

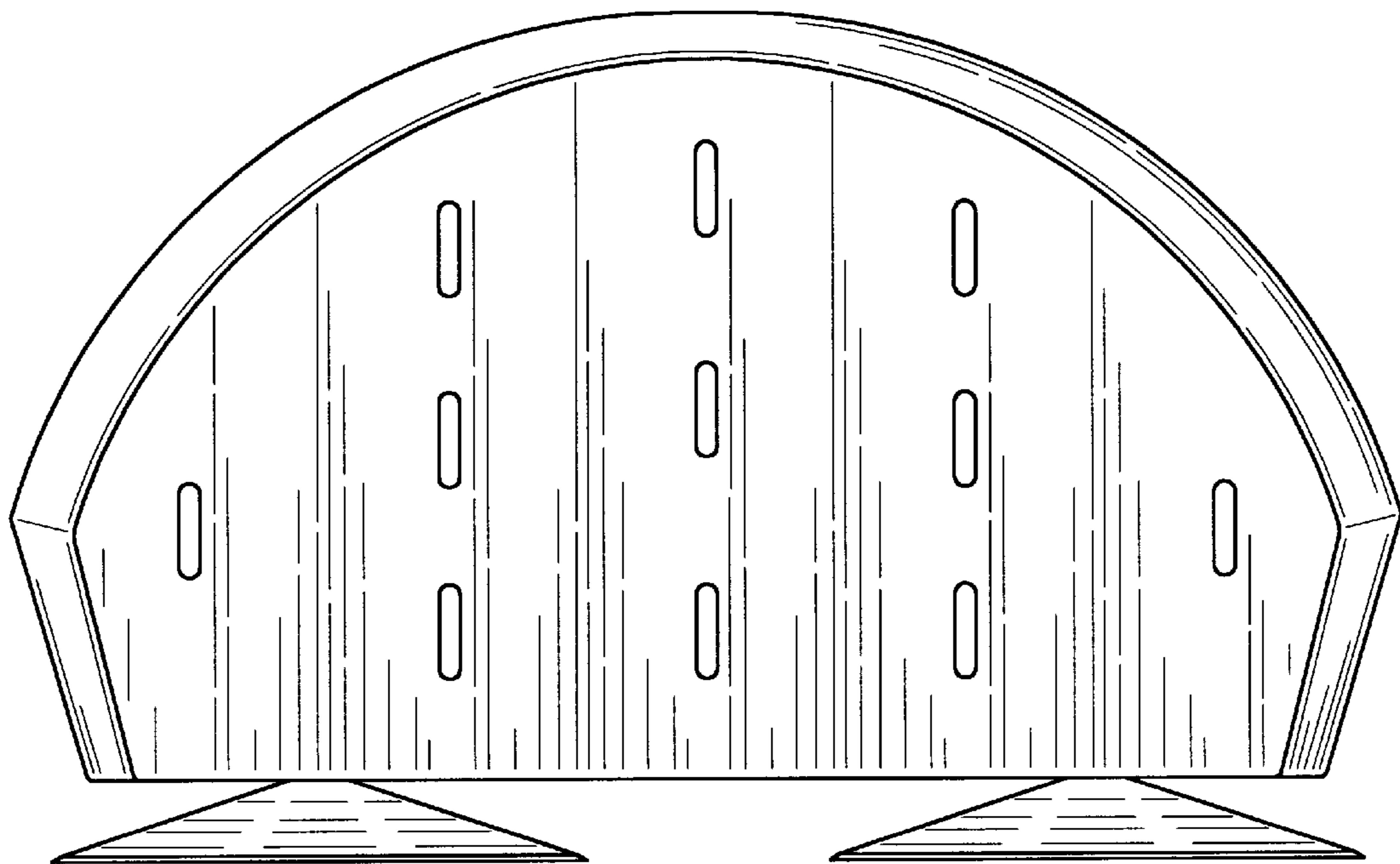


FIG-5

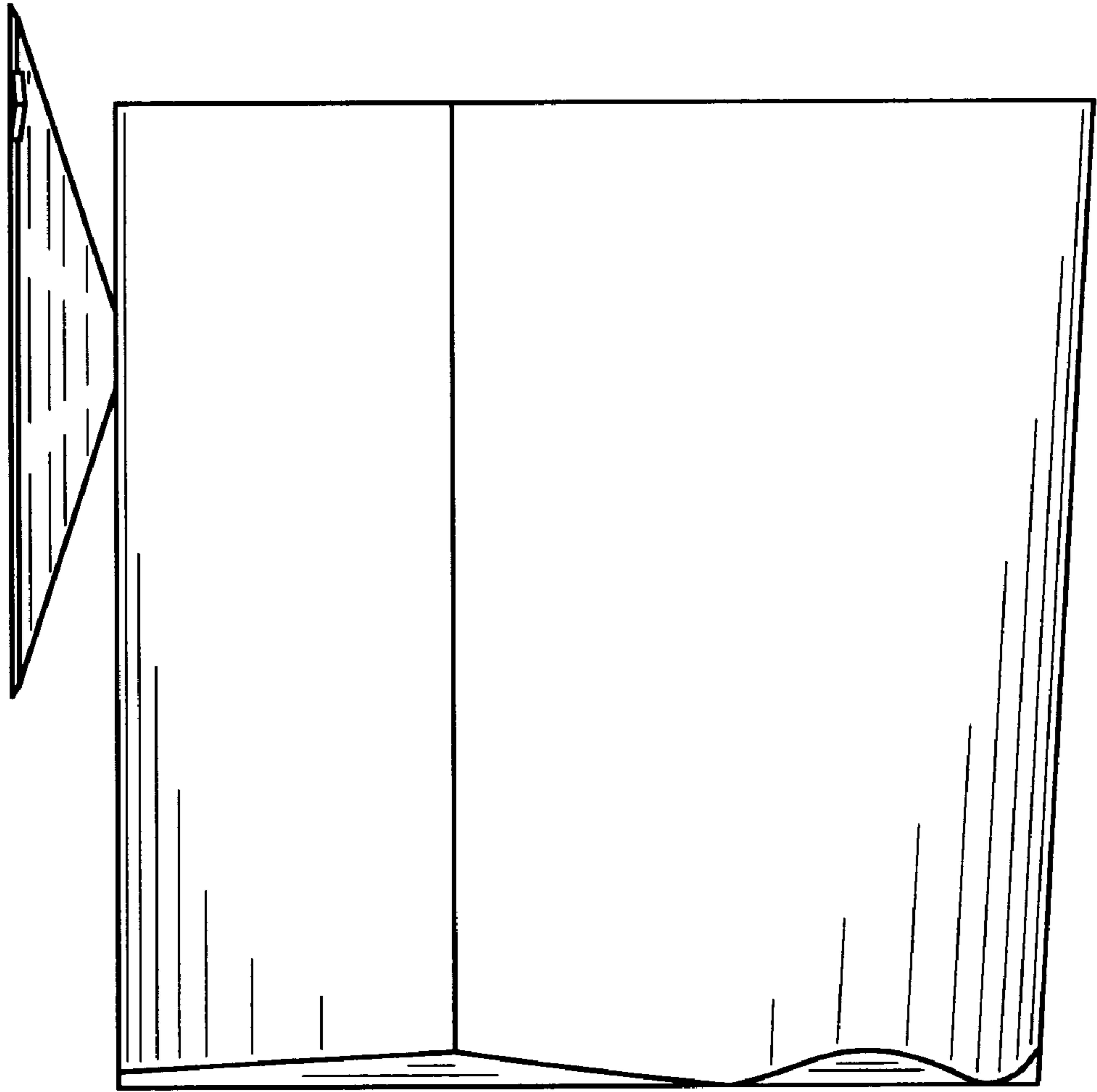


FIG-6