



US00D419807S

United States Patent [19] Hampshire

[11] **Patent Number: Des. 419,807**
[45] **Date of Patent: ** Feb. 1, 2000**

[54] **SINK AND SHOWER ORGANIZER**

[76] Inventor: **James F. Hampshire**, 8252 Darrow Rd.
Suite F, Twinsburg, Ohio 44087

[**] Term: **14 Years**

[21] Appl. No.: **29/096,274**

[22] Filed: **Nov. 9, 1998**

[51] **LOC (7) Cl. 23-02**

[52] **U.S. Cl. D6/525; D6/534; D6/540**

[58] **Field of Search D6/524-535, 536-540,
D6/553, 567, 574; 206/77.1, 557, 562-563;
211/13.1, 60.1, 70.6, 70.7, 71, 74-75, 86-88,
90, 126.1, 134; 220/908; 248/176.1, 309.1,
907; D3/304, 315**

[56] **References Cited**

U.S. PATENT DOCUMENTS

D. 83,439 2/1931 Gruendl D6/524 X
D. 104,934 6/1937 Whited D6/524 X

D. 332,543 1/1993 Crook et al. D6/524 X
D. 332,679 1/1993 Hines D6/567 X
D. 362,780 10/1995 Hampshire D6/567
D. 388,993 1/1998 Hampshire D6/567
4,530,479 7/1985 Chen 248/309.1

Primary Examiner—Brian N. Vinson
Attorney, Agent, or Firm—Oldham & Oldham Co., LPA

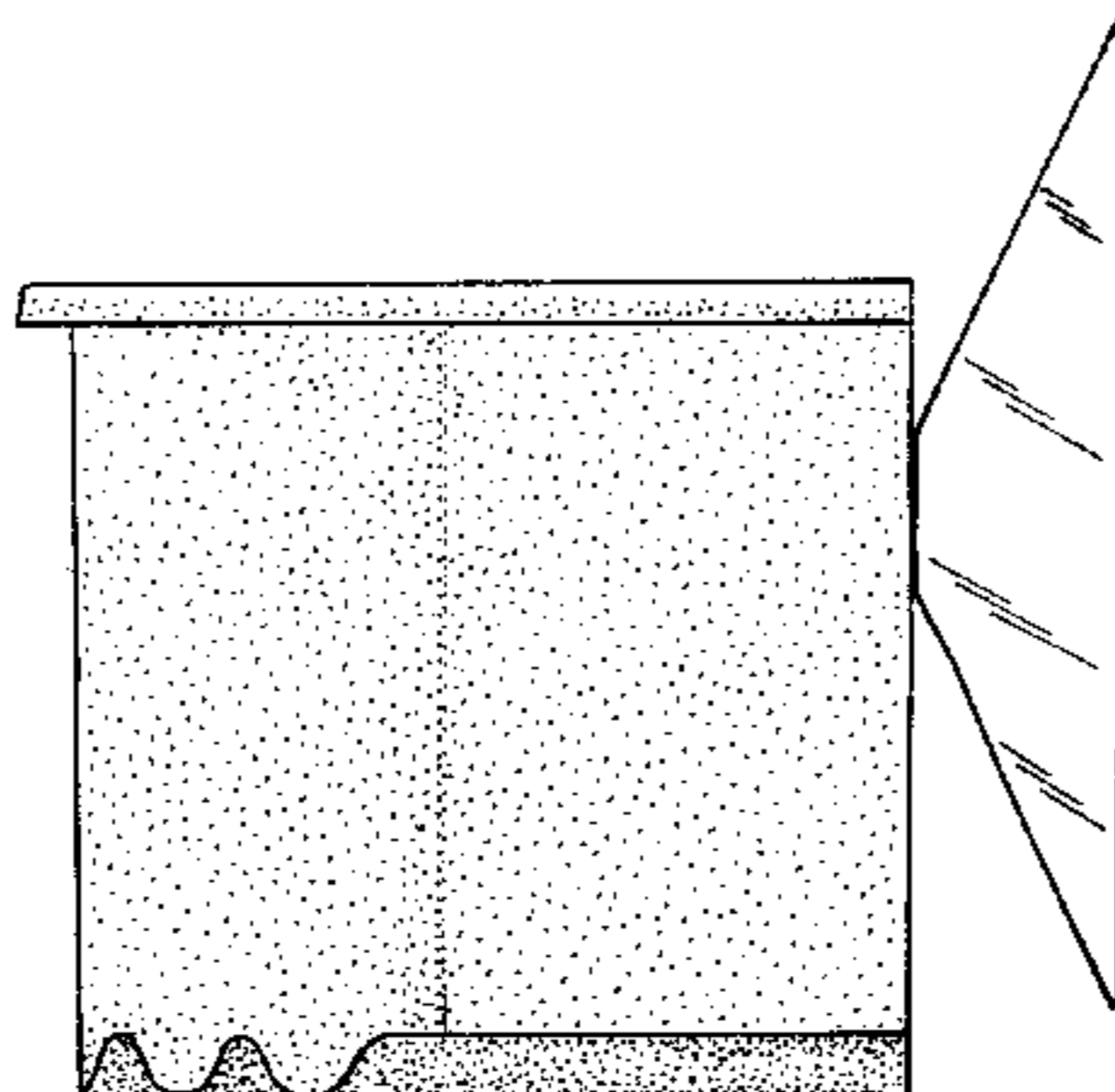
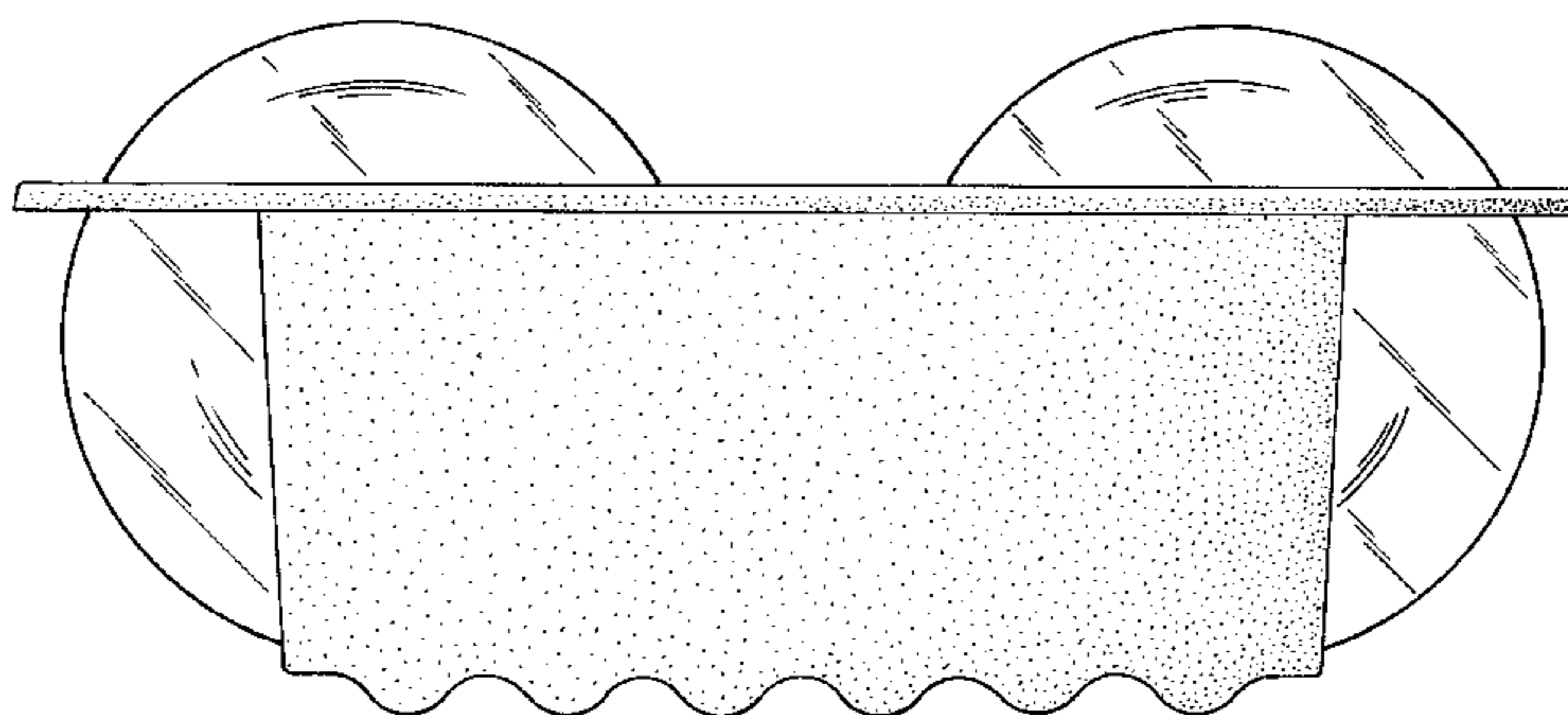
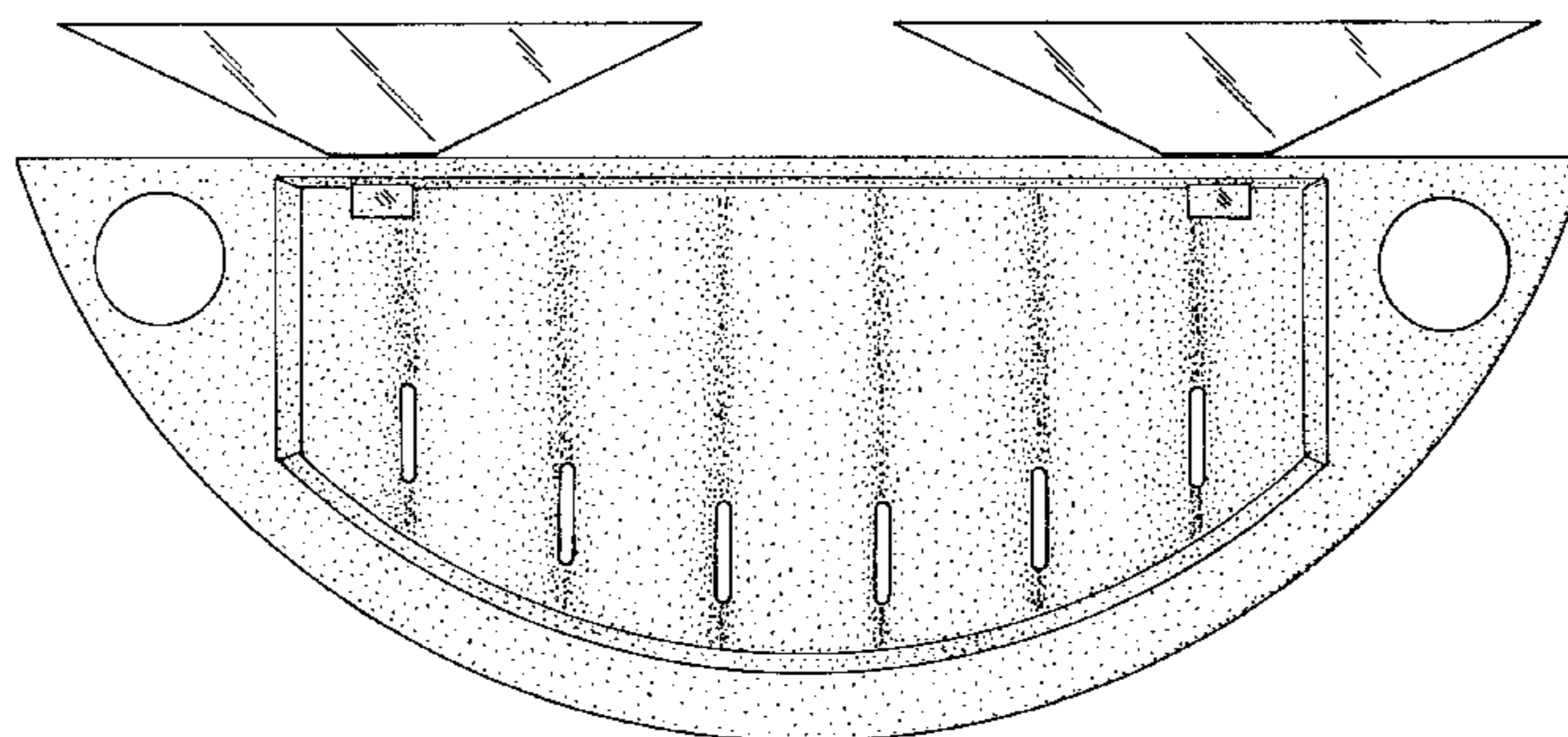
[57] **CLAIM**

The ornamental design for the “sink and shower organizer”, as shown and described.

DESCRIPTION

FIG. 1 is a top view of a new design of a sink and shower organizer;
FIG. 2 is a front elevational view with reference to FIG. 1;
FIG. 3 is a right side elevational view, the left side elevational view being a mirror image thereof;
FIG. 4 is a rear elevational view; and,
FIG. 5 is a bottom view.

1 Claim, 2 Drawing Sheets



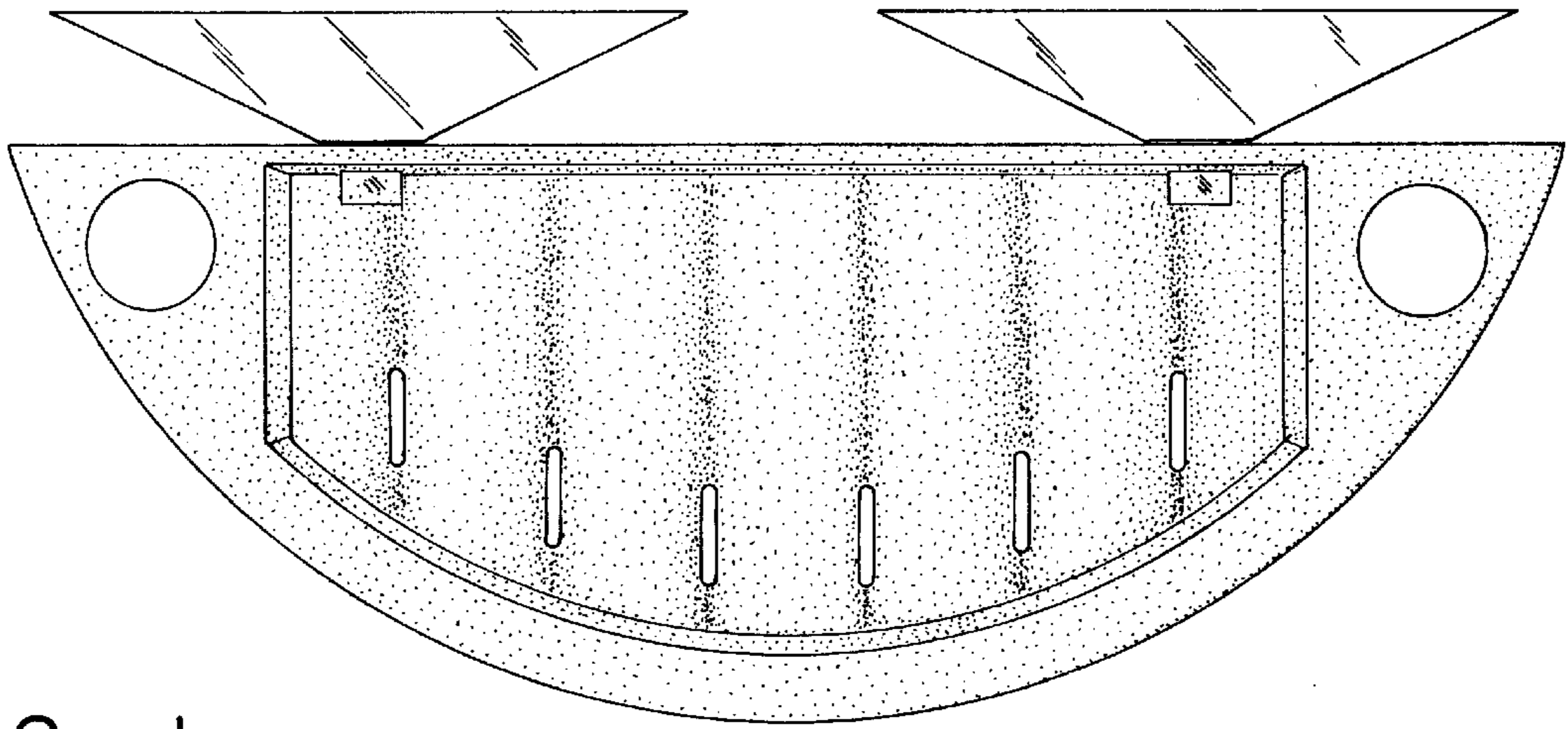


FIG. - 1

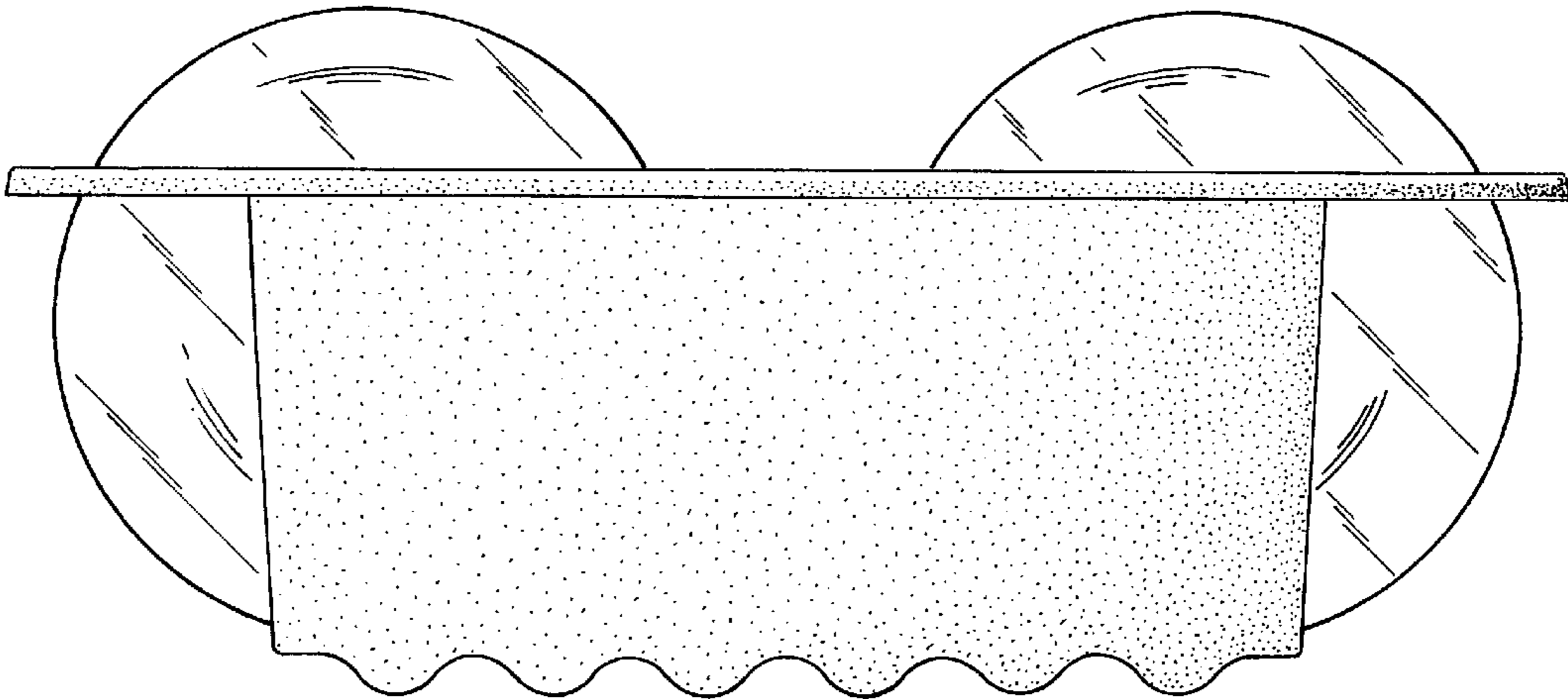


FIG. - 2

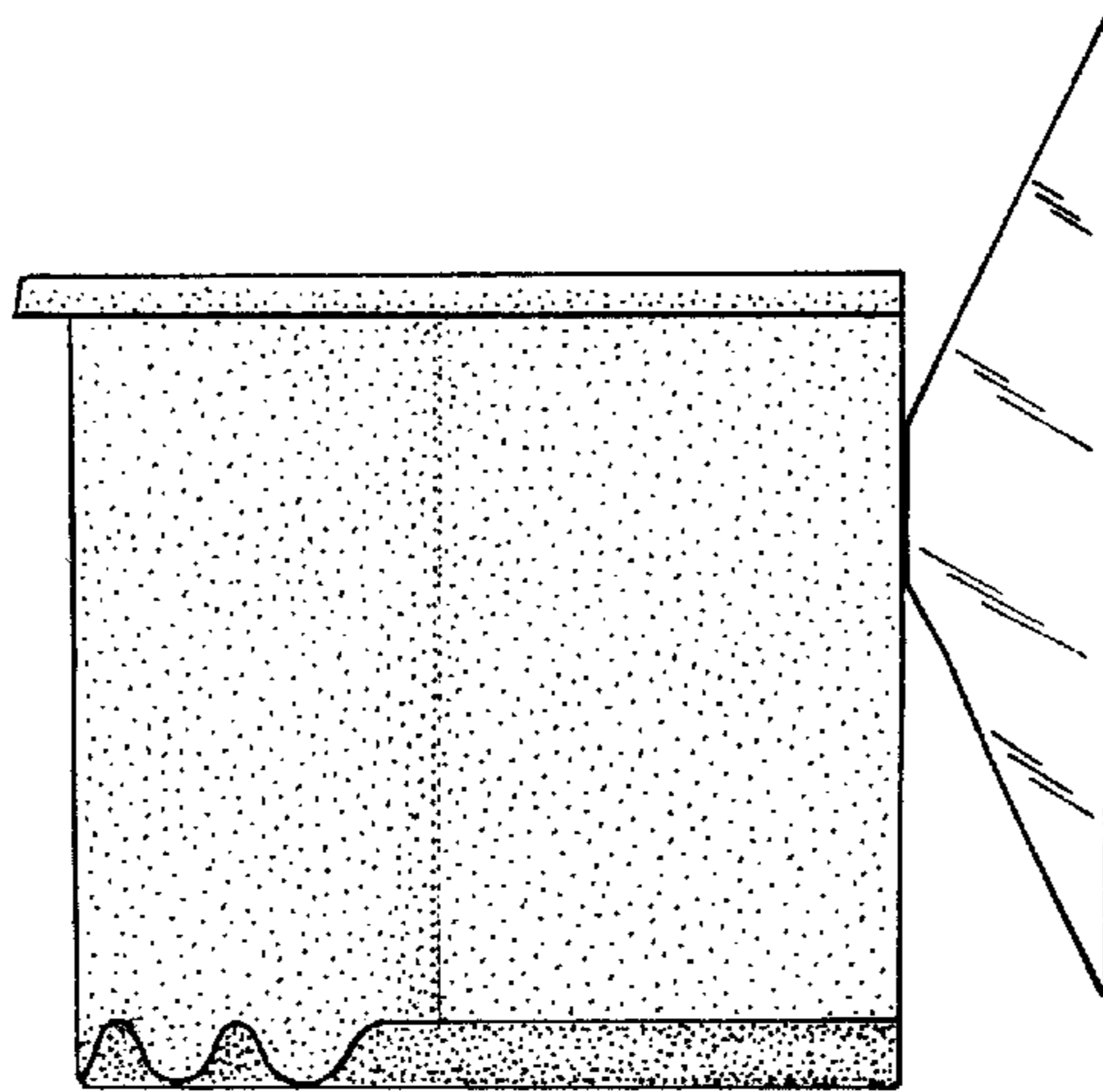


FIG. - 3

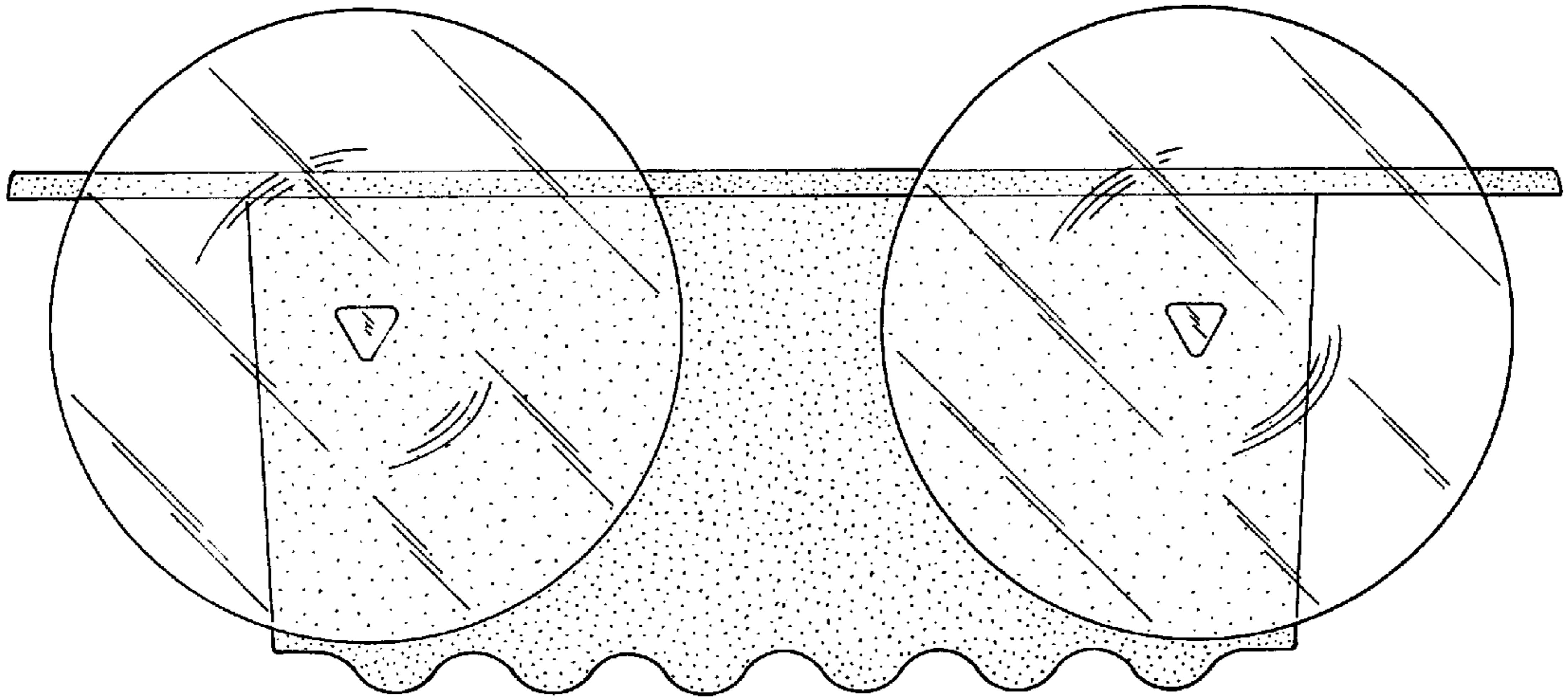


FIG.- 4

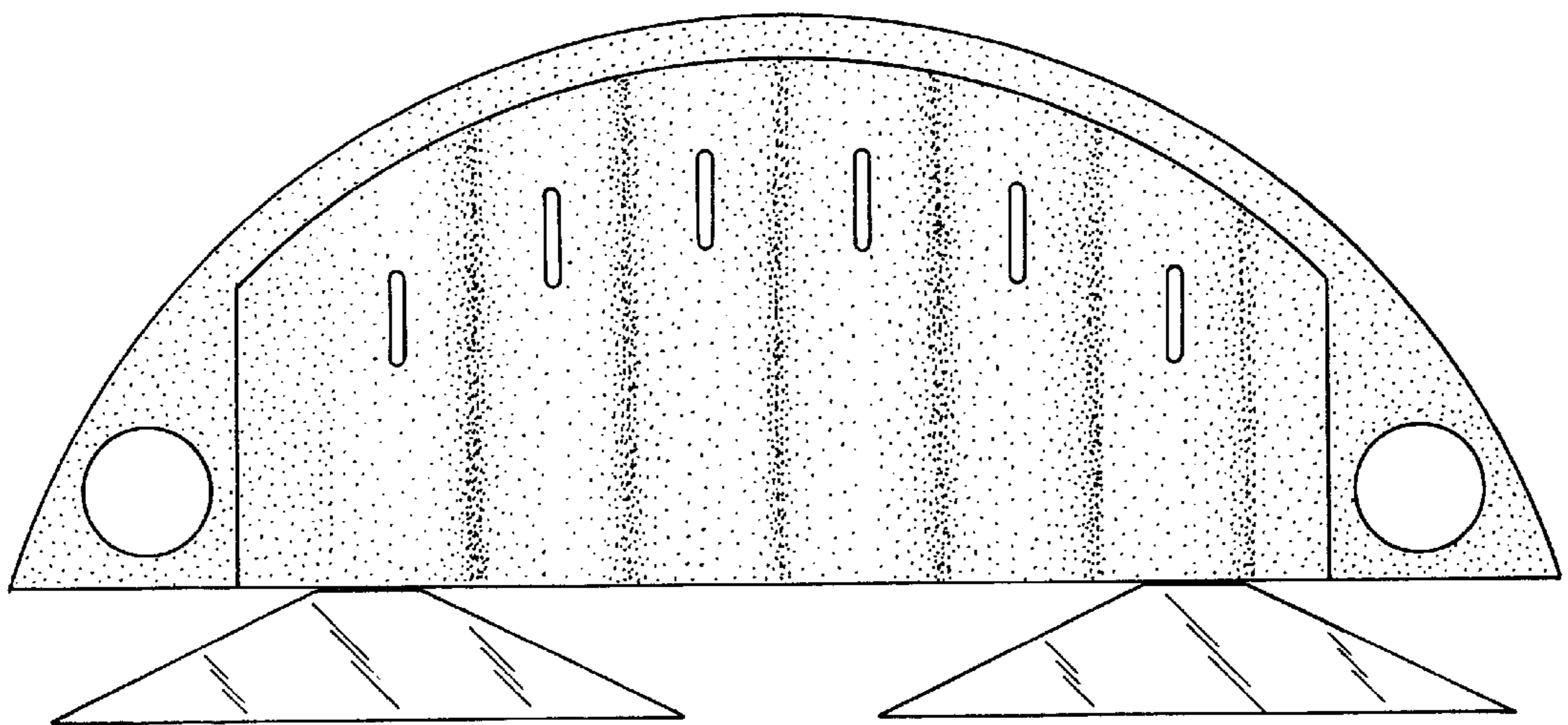


FIG.- 5