



US00D419804S

United States Patent [19]
Reitman

[11] **Patent Number: Des. 419,804**

[45] **Date of Patent: ** Feb. 1, 2000**

[54] **MULTIPLE PACKAGE DISPENSER**

[75] Inventor: **Morton L. Reitman**, Chagrin Falls, Ohio

[73] Assignee: **The Tranzonic Companies**, Cleveland, Ohio

[**] Term: **14 Years**

[21] Appl. No.: **29/096,255**

[22] Filed: **Nov. 9, 1998**

[51] **LOC (7) Cl.** **07-07**

[52] **U.S. Cl.** **D6/517**

[58] **Field of Search** D6/515, 517; D7/590, D7/589; 211/74, 49.1, 50, 35; 312/42, 50, 60; 221/92, 282

[56] **References Cited**

U.S. PATENT DOCUMENTS

D. 250,240	11/1978	Braginetz	D6/515 X
D. 299,094	12/1988	Mills	D6/515
D. 309,224	7/1990	Rabin	D6/515 X
D. 408,667	4/1999	Curry	D6/515

Primary Examiner—Brian N. Vinson
Attorney, Agent, or Firm—Thomas I. Rozsa; Tony D. Chen; Jerry Fong

[57] **CLAIM**

The ornamental design for a multiple package dispenser, as shown and described.

DESCRIPTION

FIG. 1 is a perspective view of the multiple package dispenser, showing our new design; FIG. 2 is a front elevational view; FIG. 3 is a rear elevational view; FIG. 4 is a left side elevational view, when viewed from FIG. 2; FIG. 5 is a right side elevational view, when viewed from FIG. 2; FIG. 6 is a top plan view; FIG. 7 is a bottom plan view; FIG. 8 is a perspective view of another embodiment of the multiple package dispenser, shown in FIG. 1; FIG. 9 is a front elevational view; FIG. 10 is a rear elevational view; FIG. 11 is a left side elevational view, when viewed from FIG. 9; FIG. 12 is a right side elevational view, when viewed from FIG. 9; FIG. 13 is a top plan view; and, FIG. 14 is a bottom plan view.

1 Claim, 6 Drawing Sheets

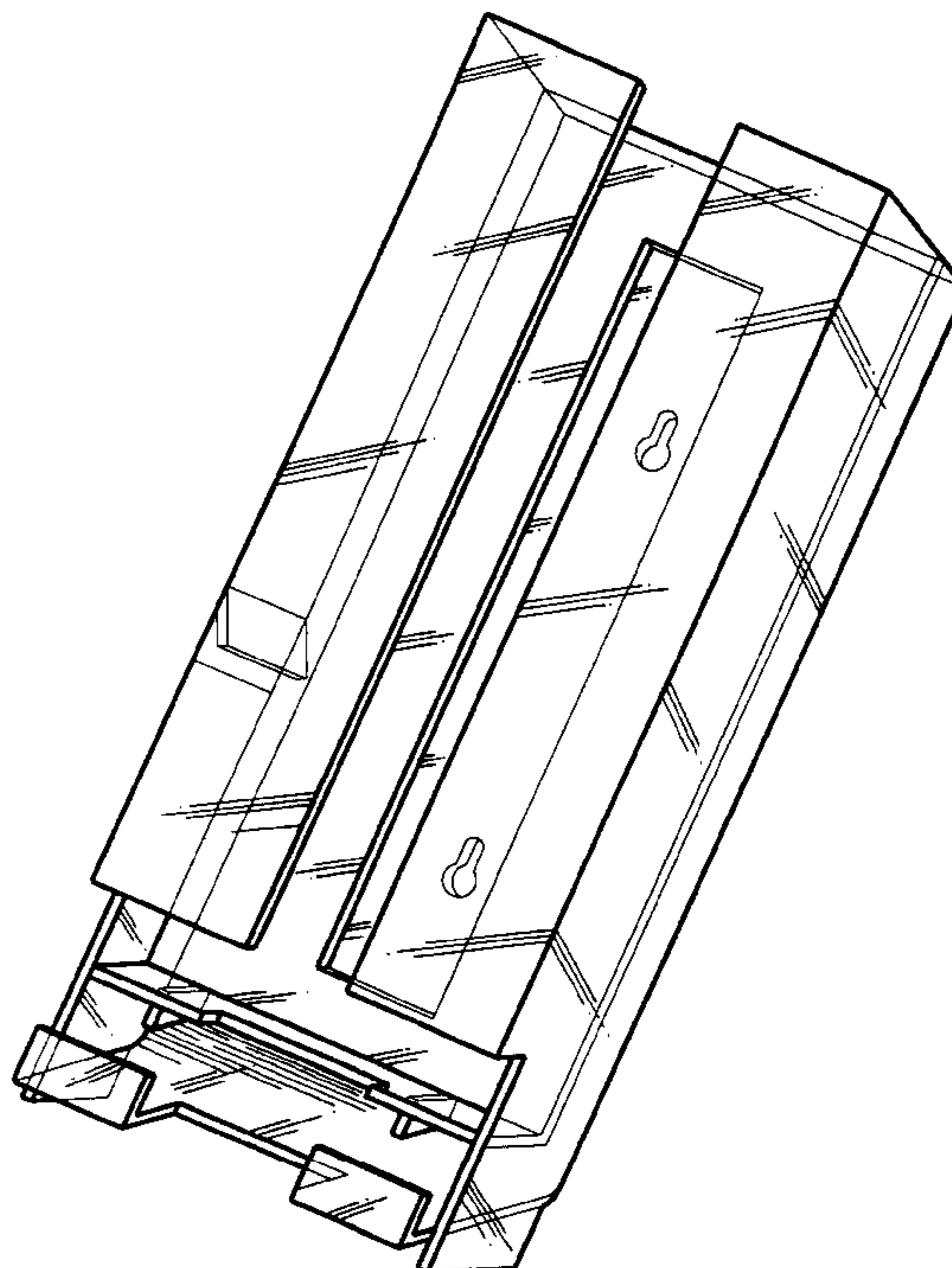
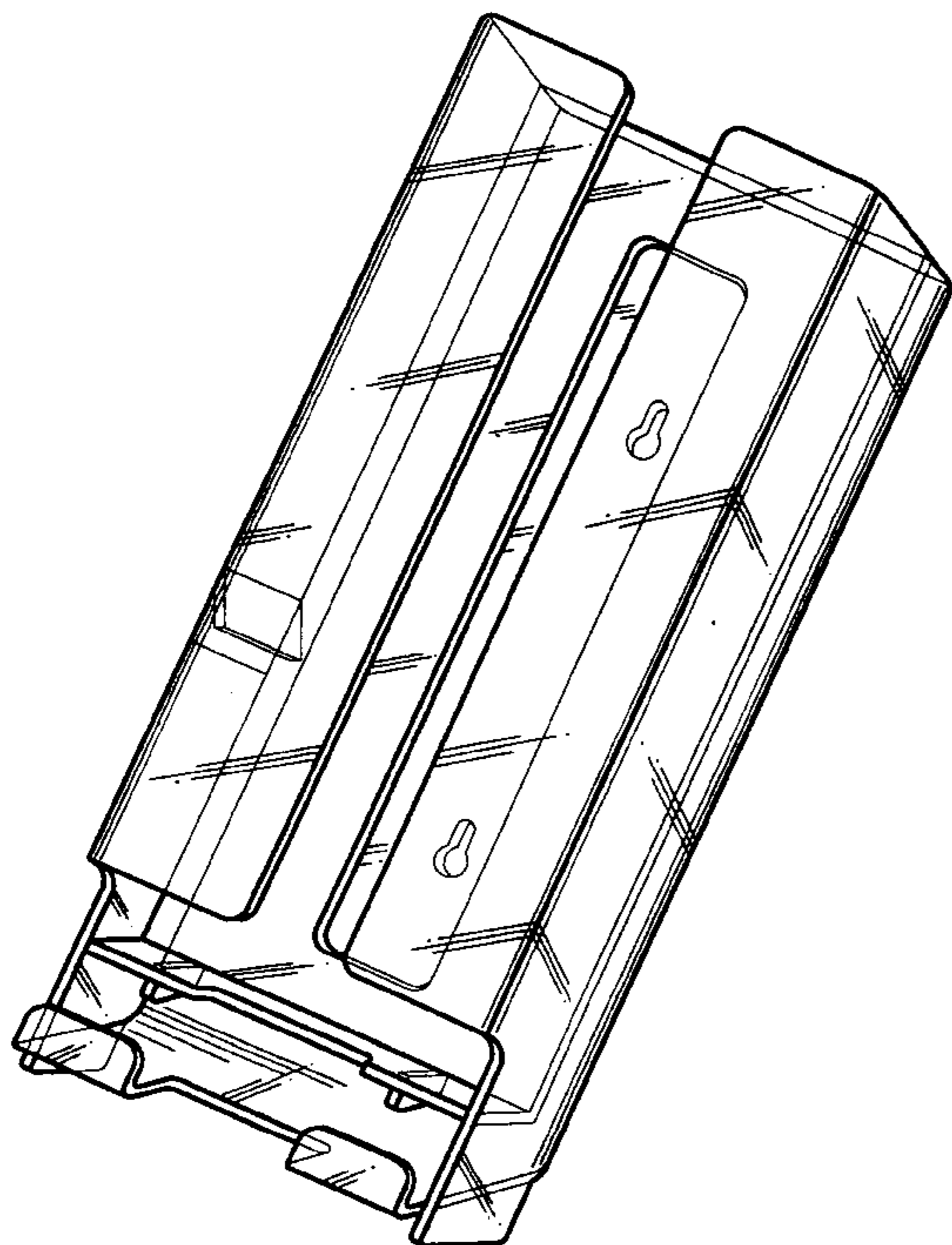


FIG.1

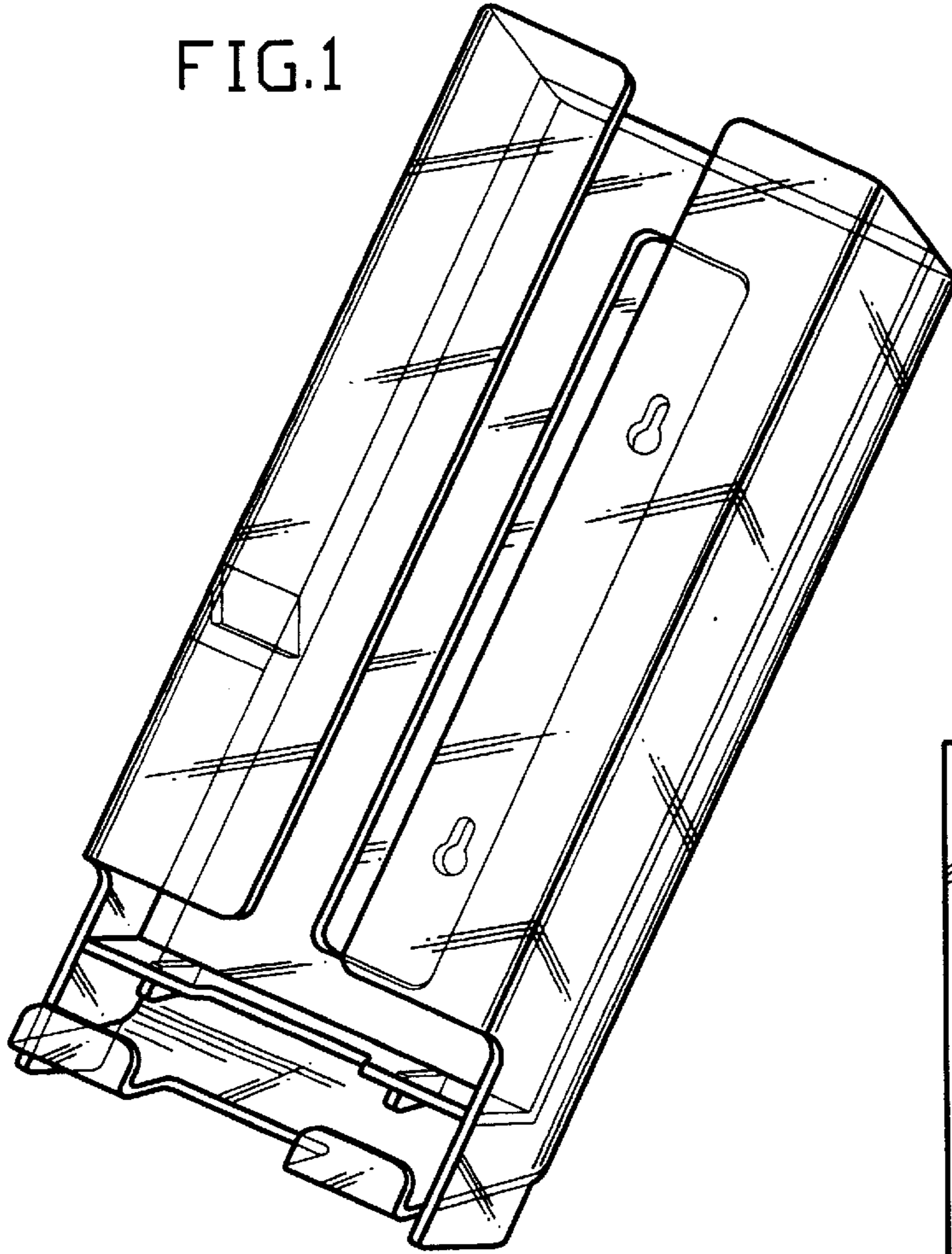
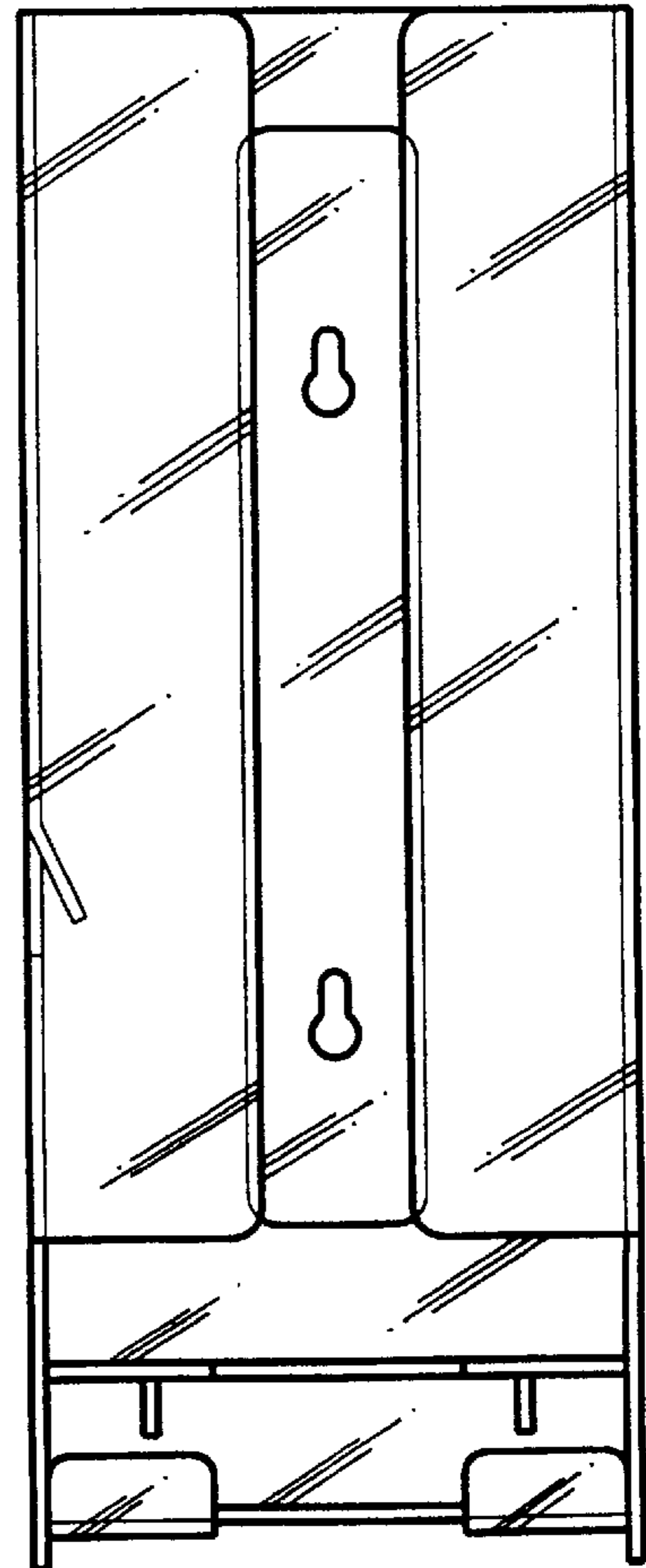


FIG.2



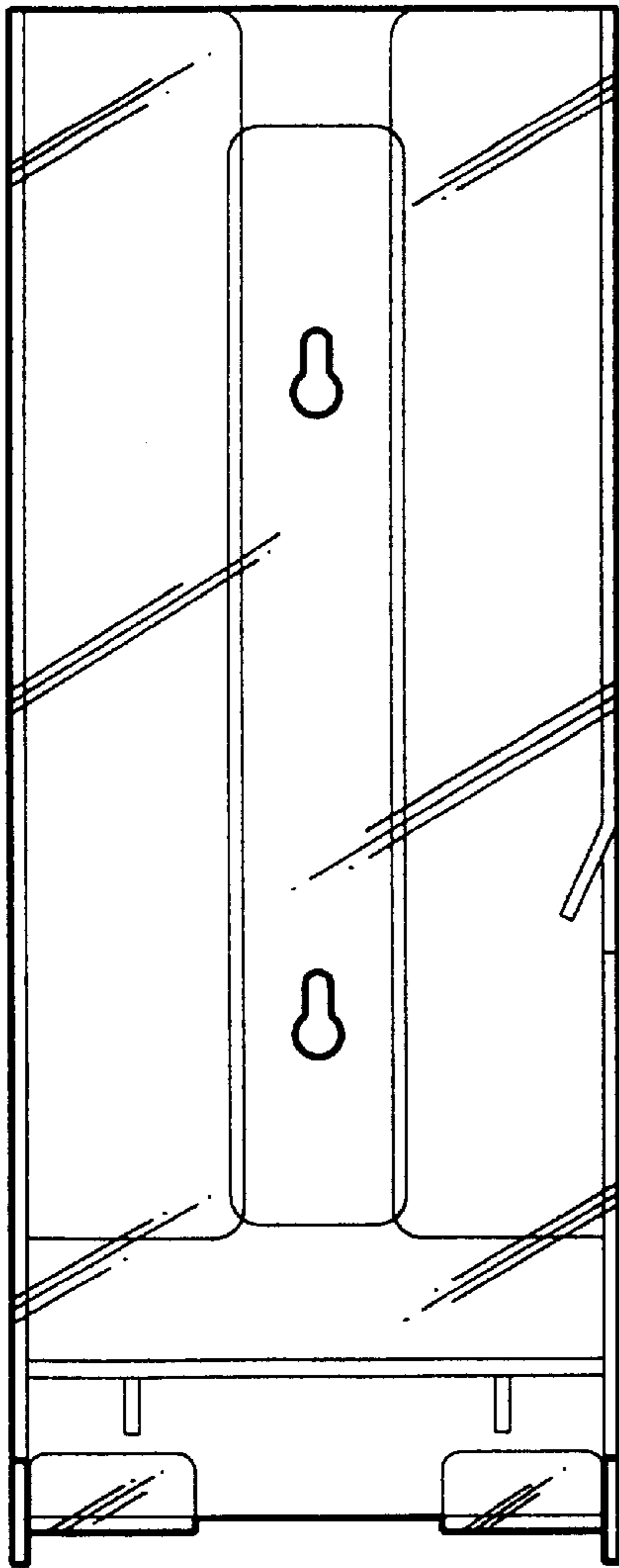


FIG. 3

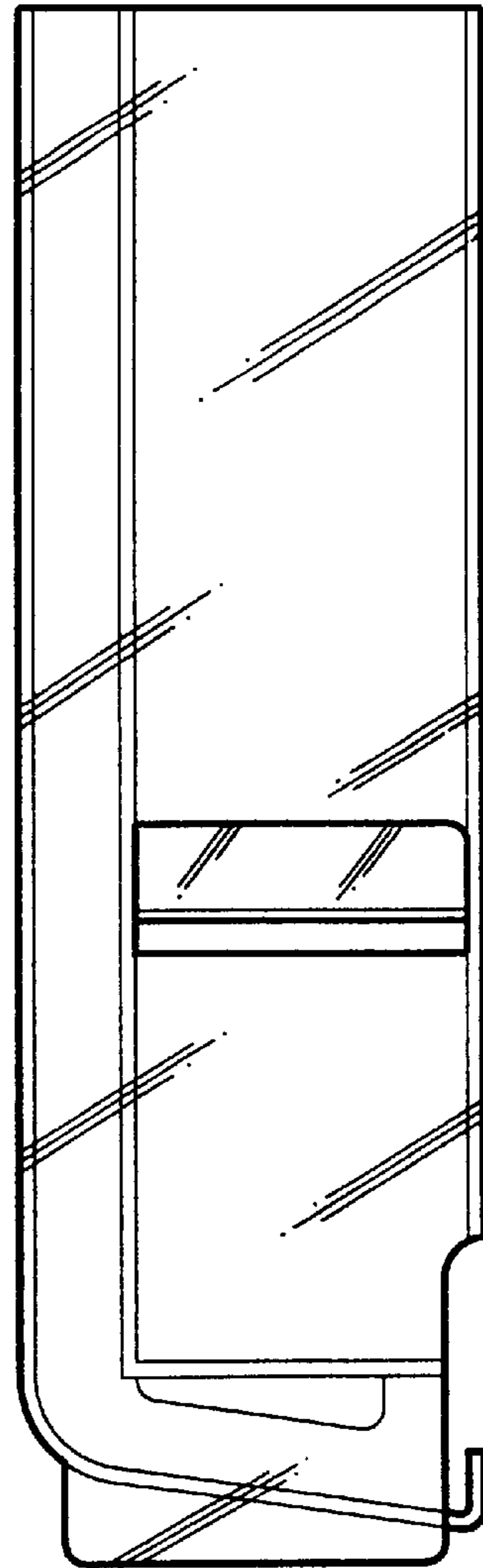


FIG. 4

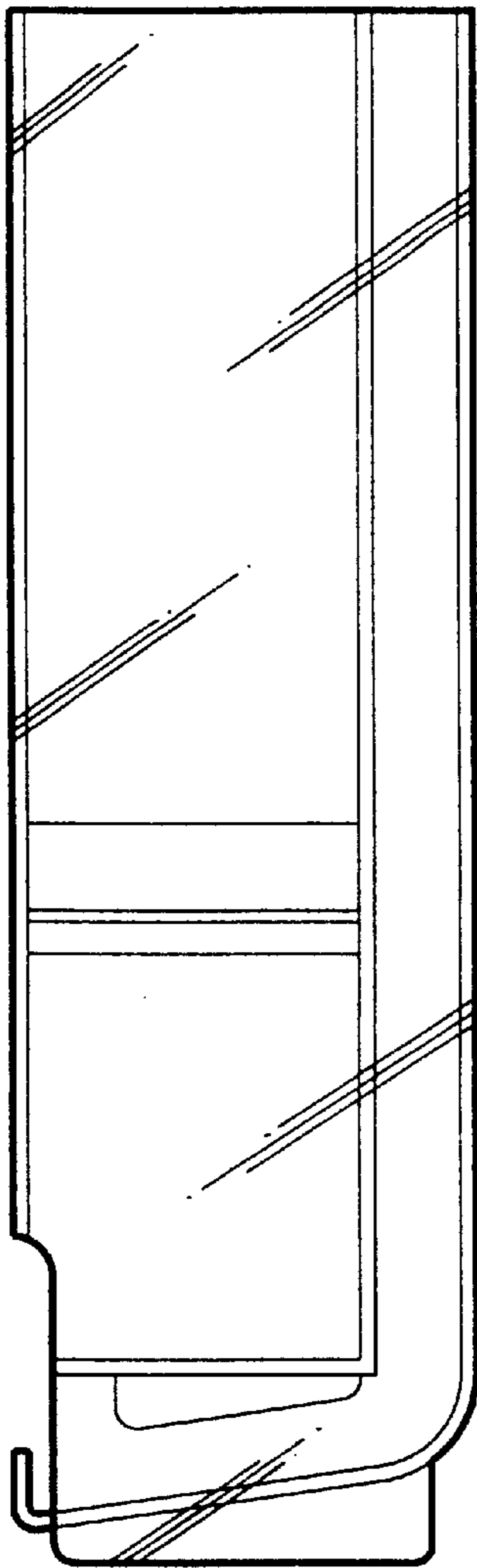


FIG. 5

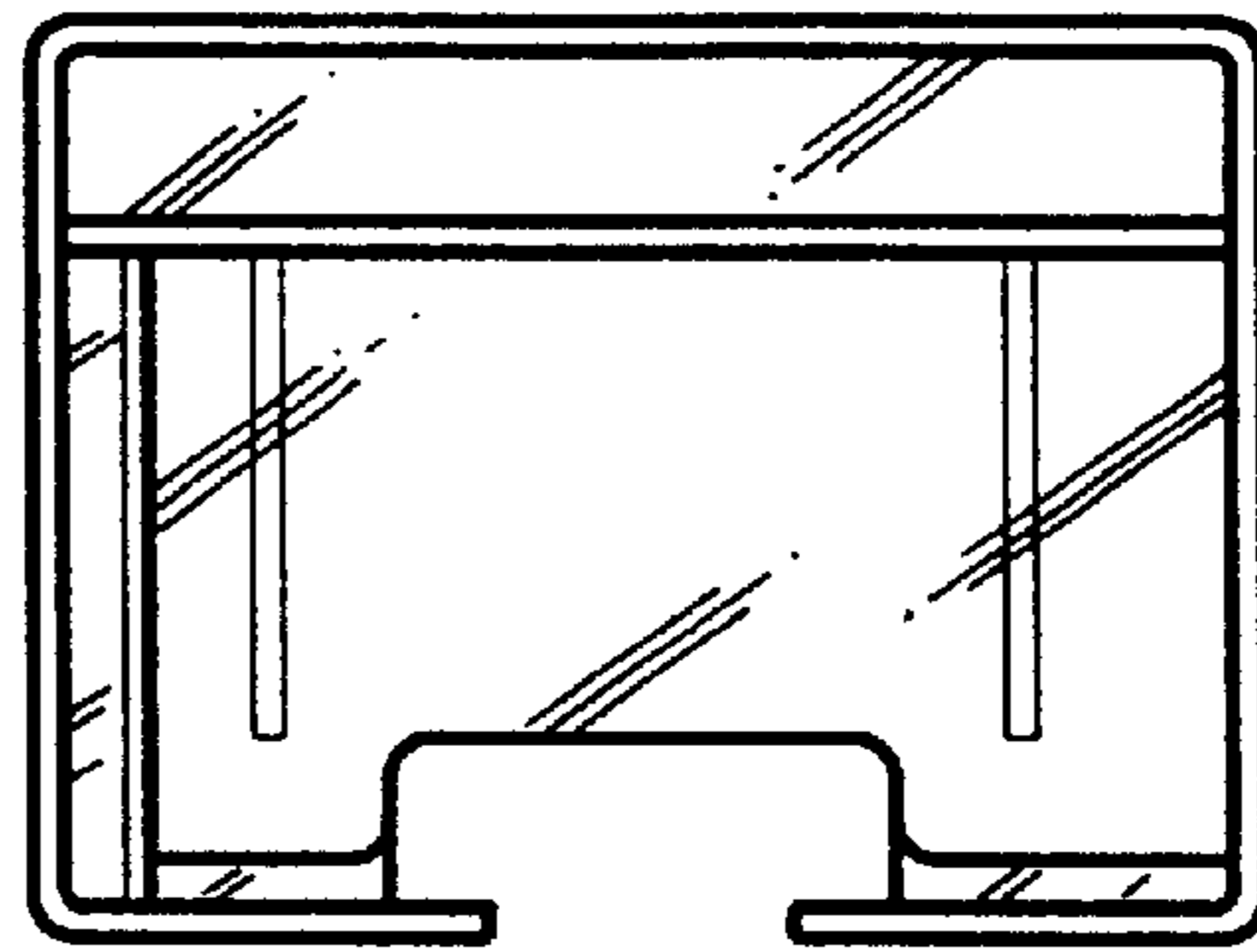


FIG. 6

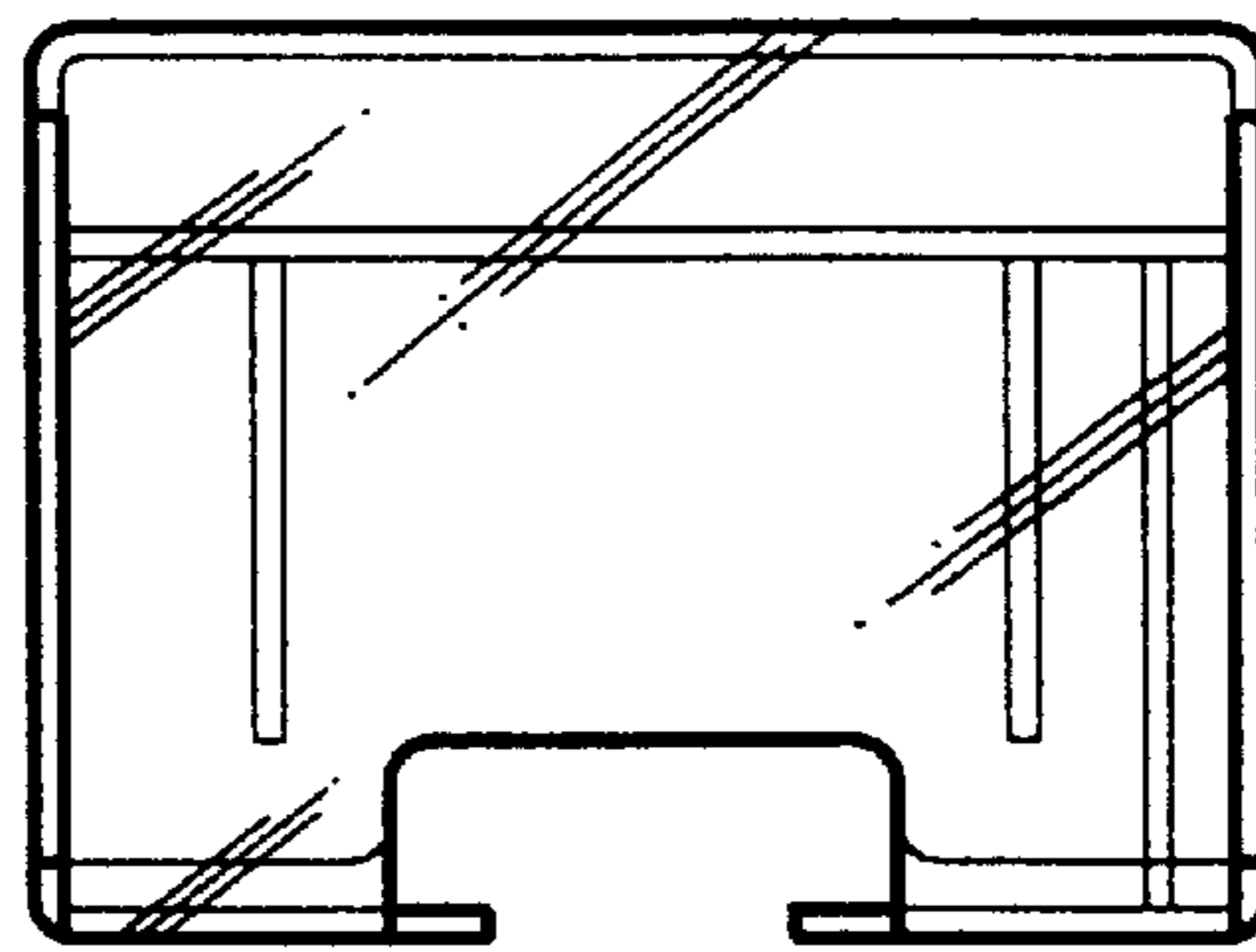


FIG. 7

FIG.8

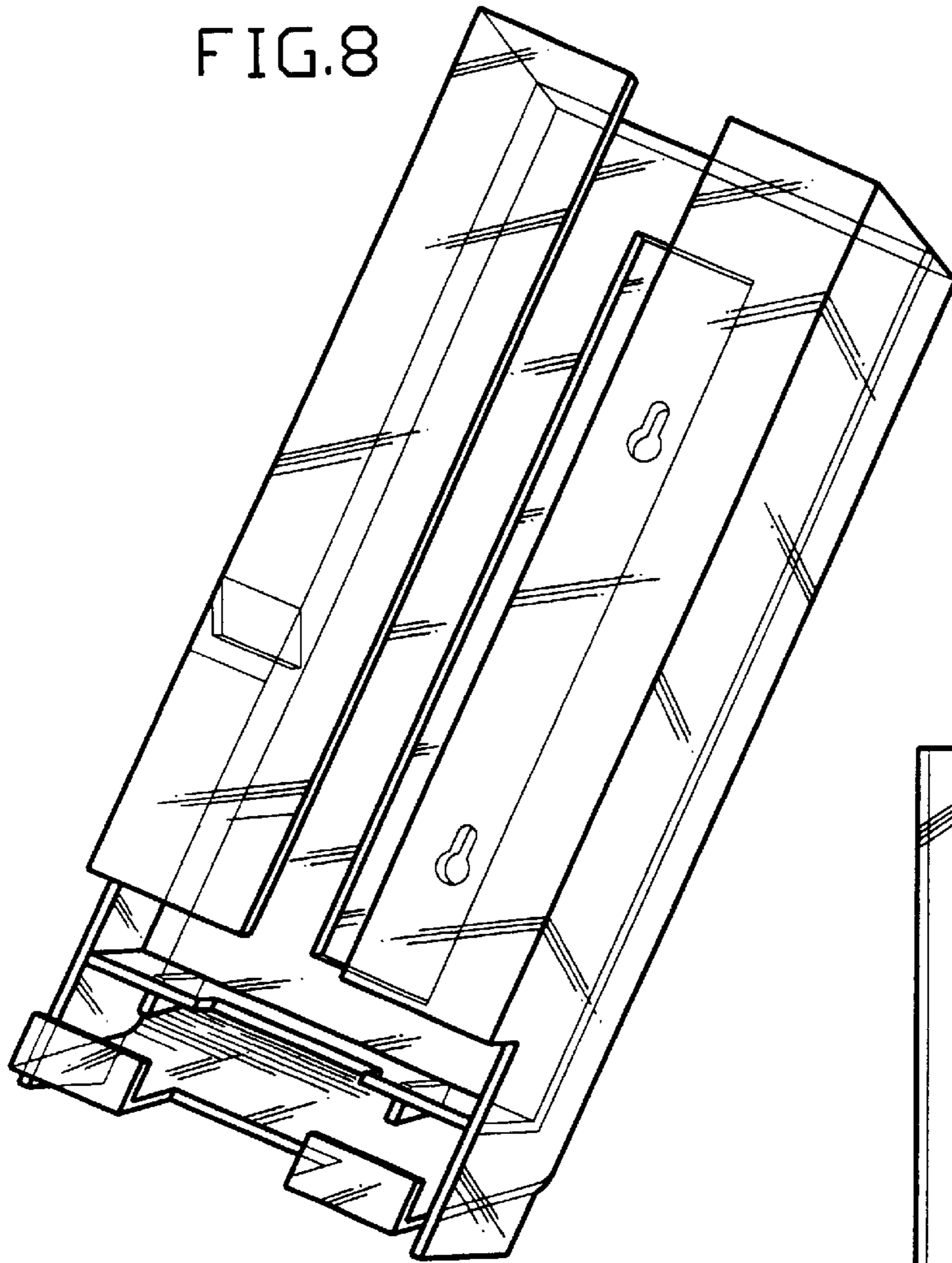
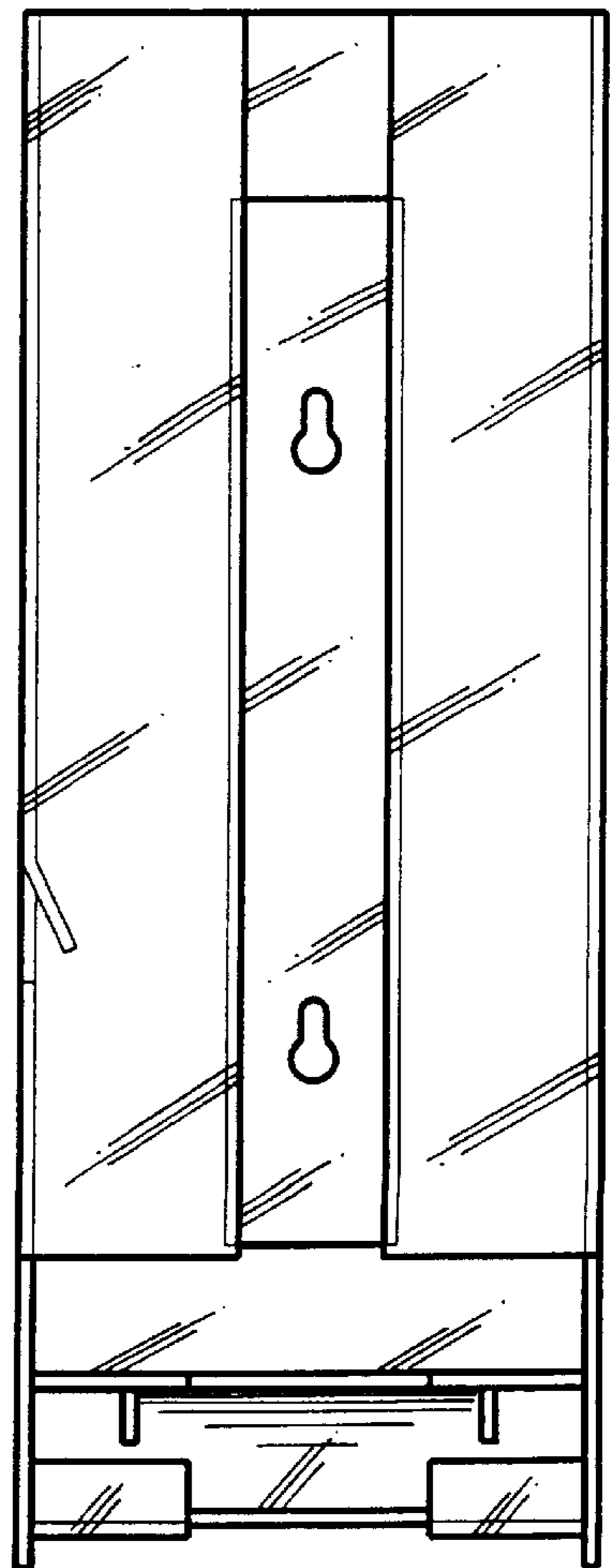


FIG.9



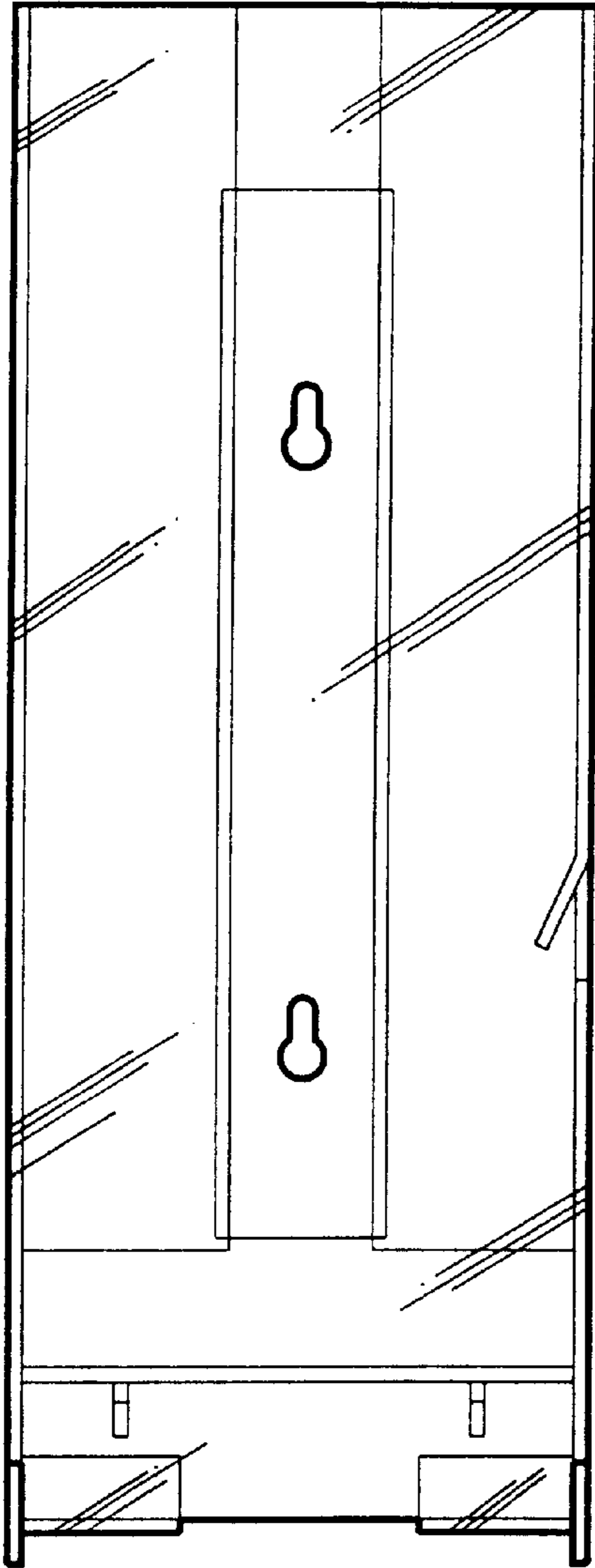


FIG.10

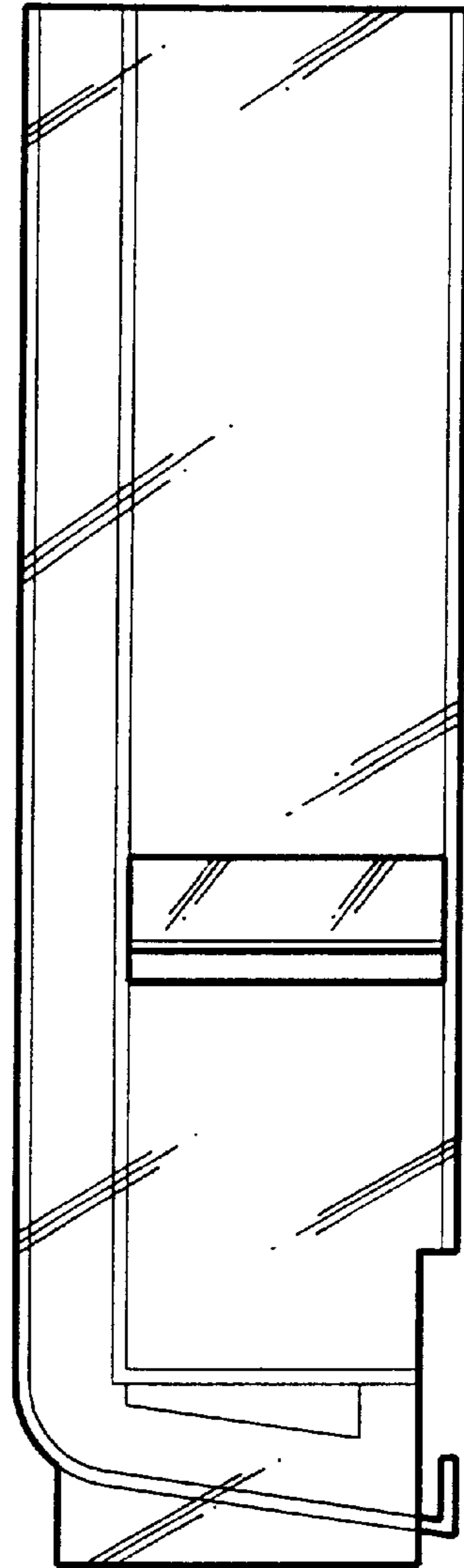


FIG.11

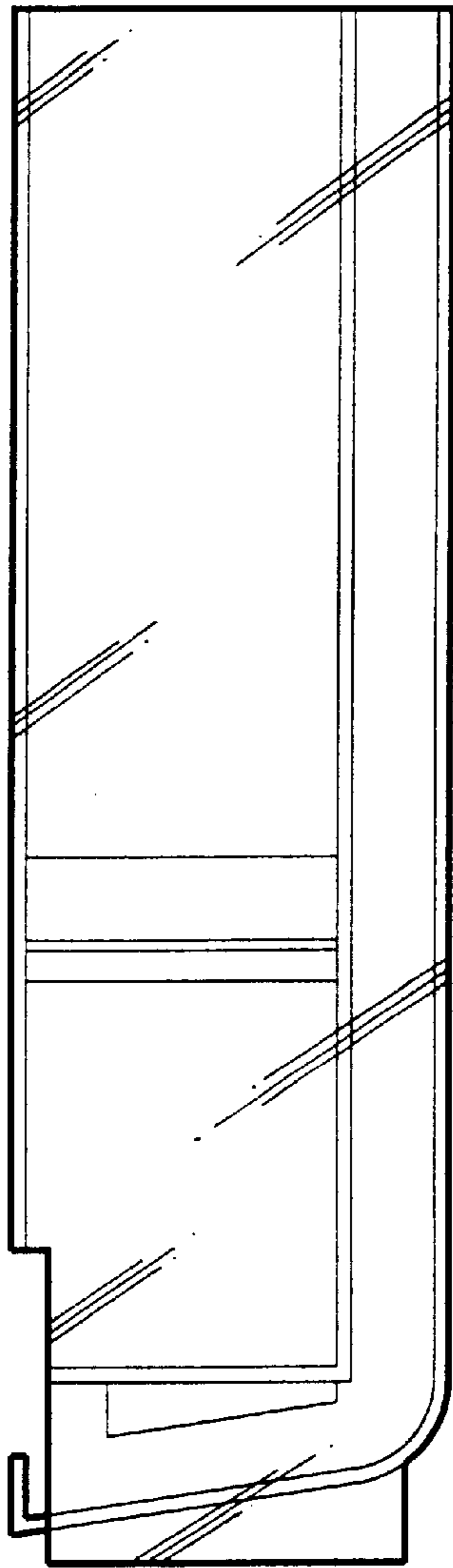


FIG.12

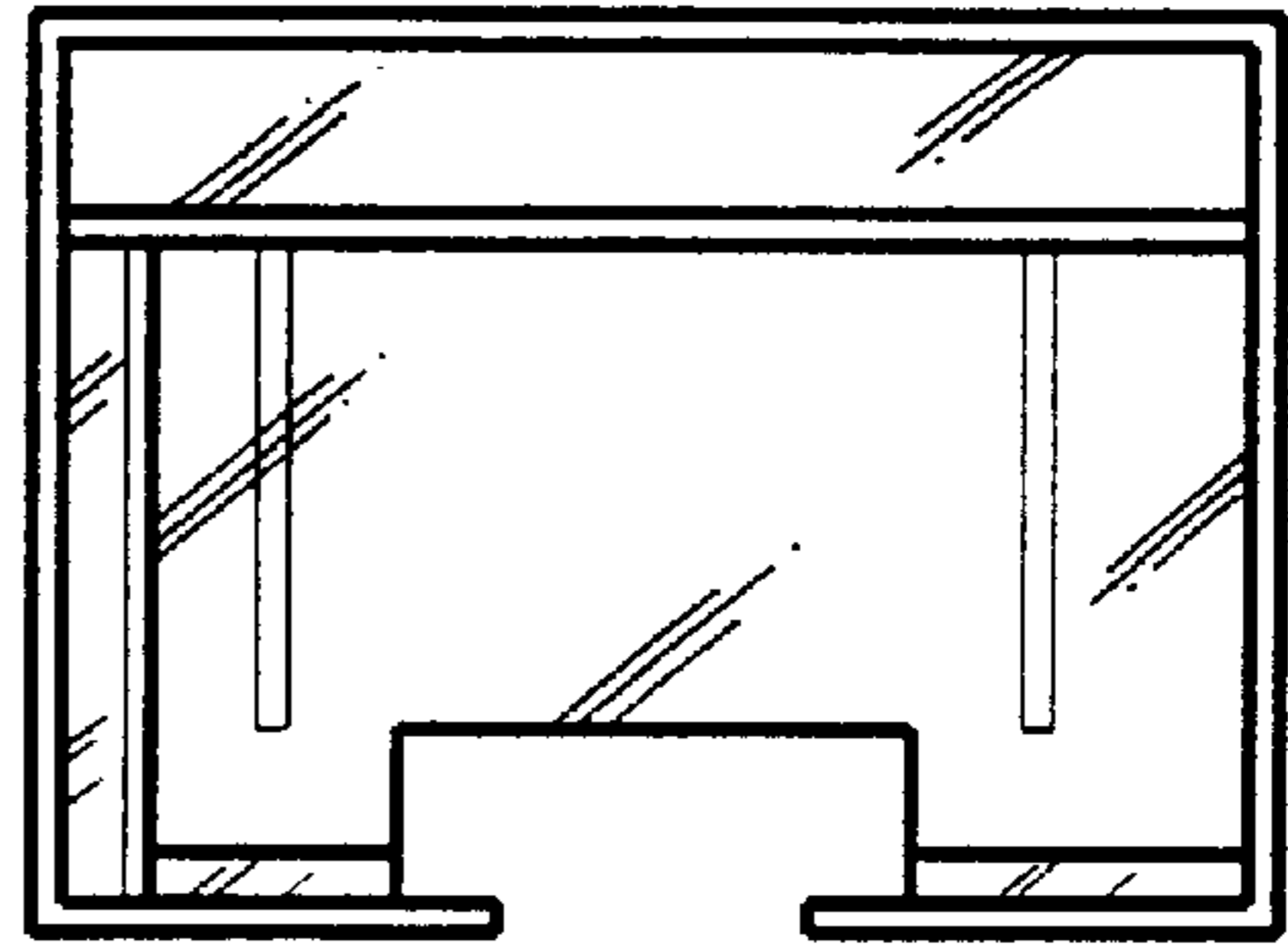


FIG.13

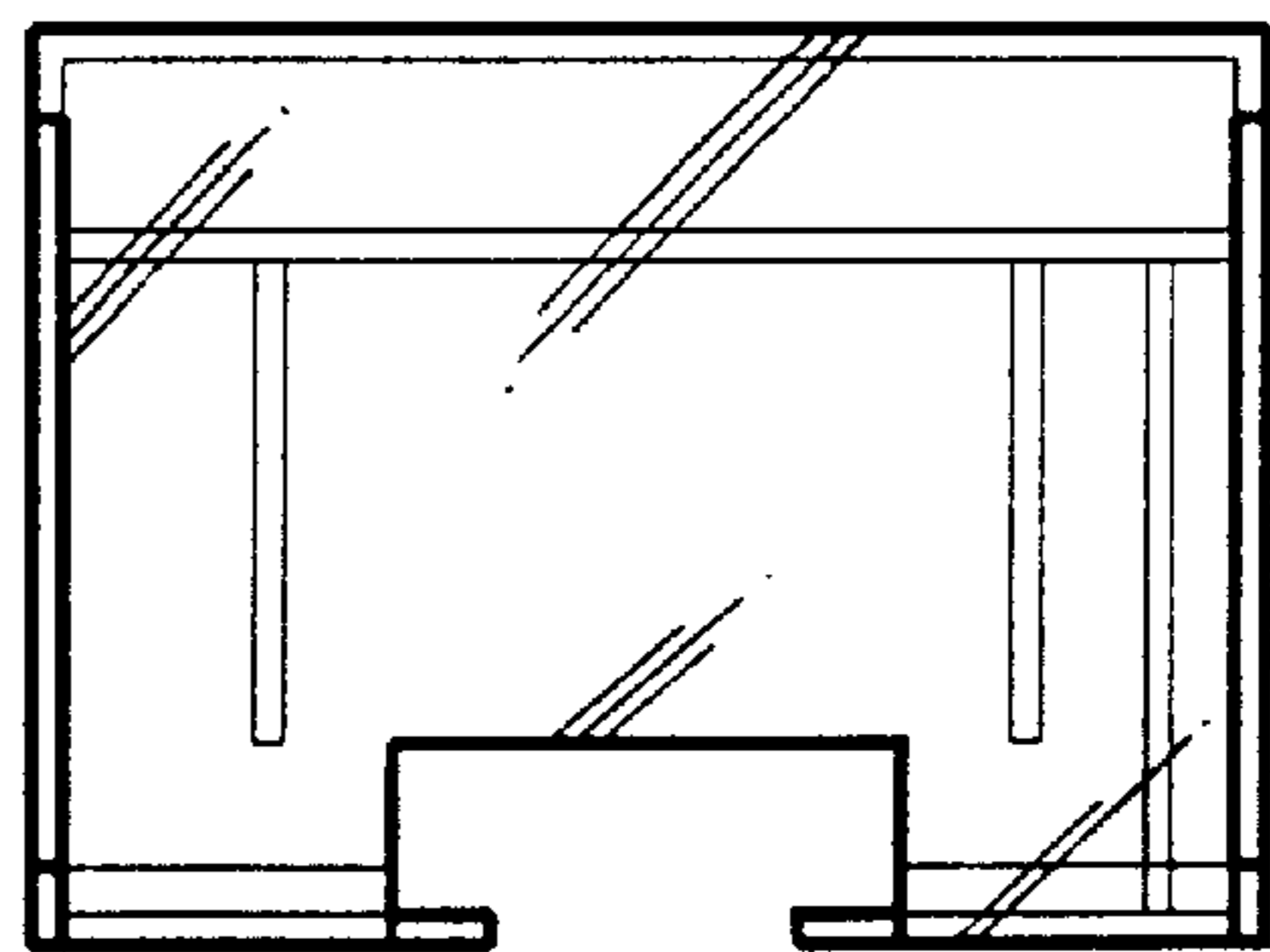


FIG.14