



US00D419803S

**United States Patent** [19]  
**van Bakel**

[11] **Patent Number: Des. 419,803**

[45] **Date of Patent: \*\* Feb. 1, 2000**

[54] **HOLDER FOR DISPENSING MEDICINES**

[76] Inventor: **Paulus Jacobus Theodorus Thomas Maria van Bakel**, 30, Scheldelaan, 3363 CK Sliedrecht, Netherlands

[\*\*] Term: **14 Years**

[21] Appl. No.: **29/082,962**

[22] Filed: **Feb. 2, 1998**

[30] **Foreign Application Priority Data**

Aug. 8, 1997 [XH] Hague Agreement ..... DM/041064

[51] **LOC (7) Cl.** ..... **06-02**

[52] **U.S. Cl.** ..... **D6/512**

[58] **Field of Search** ..... D6/512-518; D2/589, D2/596, 635, 672; 206/459, 534, 538, 535; 221/92, 97, 123, 155, 194, 195; D20/18, 19

[56] **References Cited**

**U.S. PATENT DOCUMENTS**

D. 297,862 9/1988 Dryden ..... D6/512

D. 310,938 10/1990 Vigil ..... D6/515  
D. 367,575 3/1996 Thompson ..... D6/518  
D. 389,681 1/1998 Mullin ..... D6/515  
D. 408,667 4/1999 Curry ..... D6/515

*Primary Examiner*—Marcus A. Jackson  
*Attorney, Agent, or Firm*—Collen Law Associates, P.C.

[57] **CLAIM**

The ornamental design for a holder for dispensing medicines, as shown and described.

**DESCRIPTION**

FIG. 1 is front, left perspective view of my new design for a holder for dispensing medicines shown with the lid closed; FIG. 2 is a front, left perspective view thereof with the lid shown with the lid open; FIG. 3 is front view thereof; FIG. 4 is a rear view thereof; FIG. 5 is a top view thereof; FIG. 6 is a bottom view thereof; FIG. 7 is a right side view thereof; and, FIG. 8 is a left side view thereof.

**1 Claim, 3 Drawing Sheets**

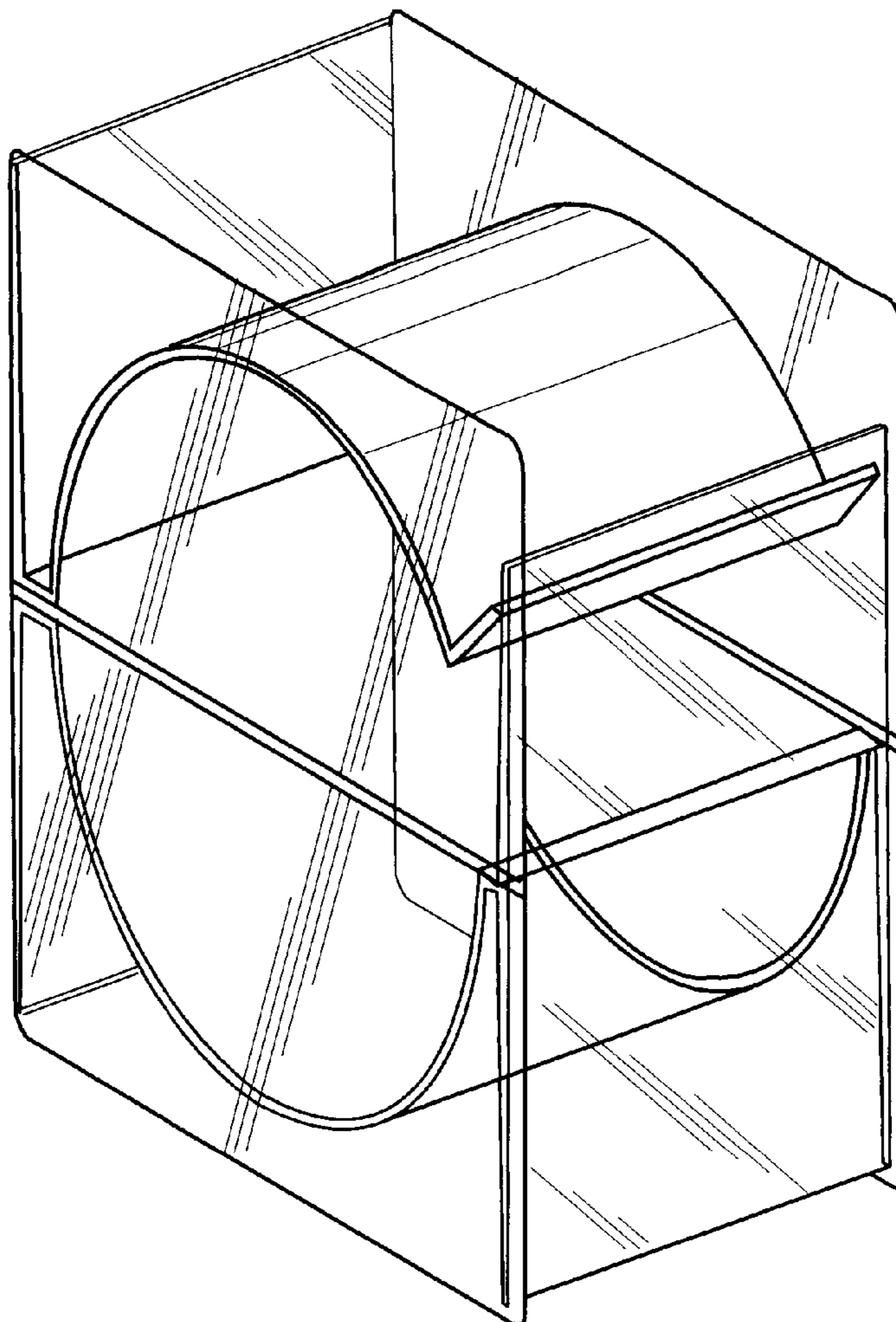


Fig. 1

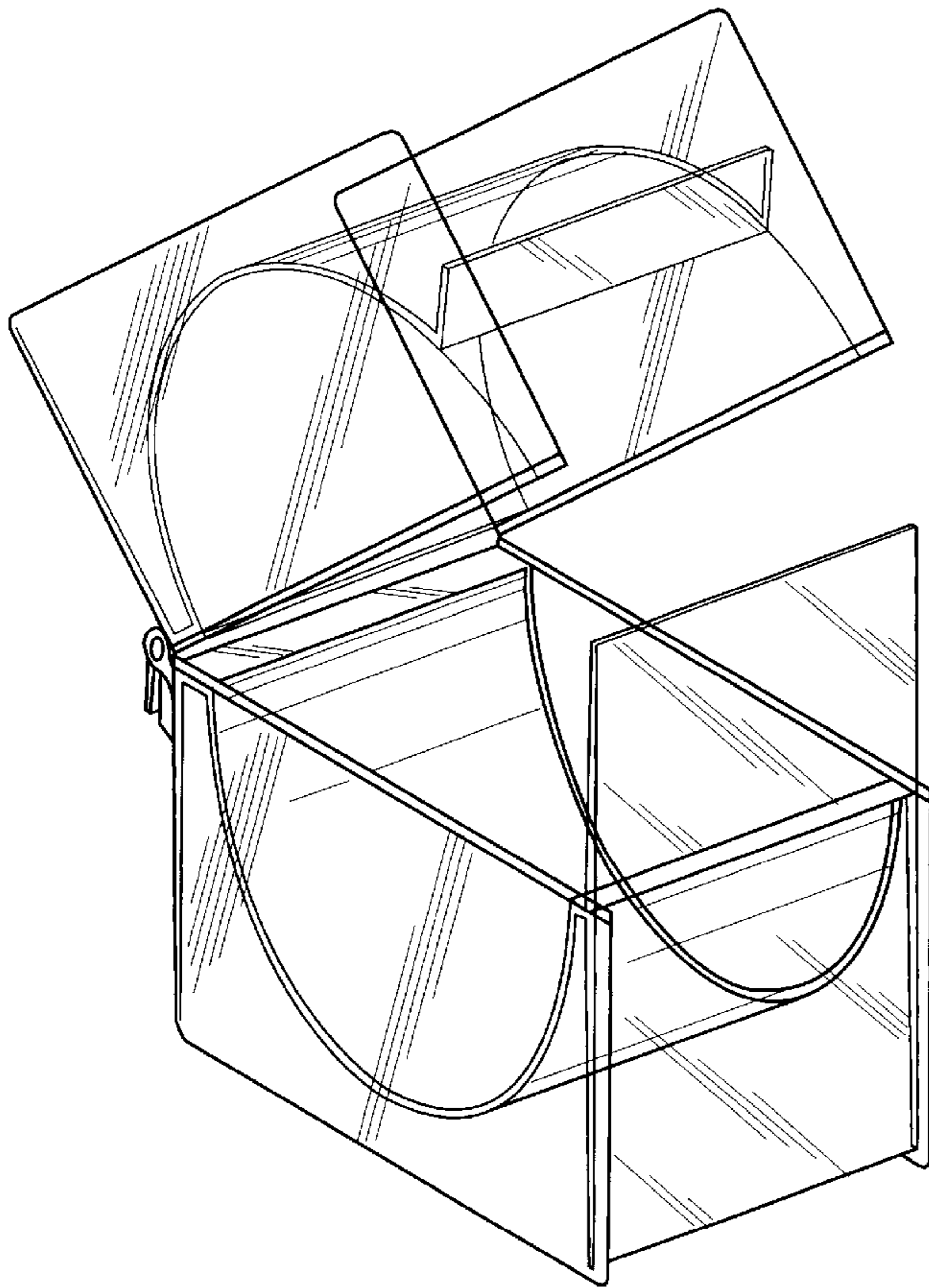
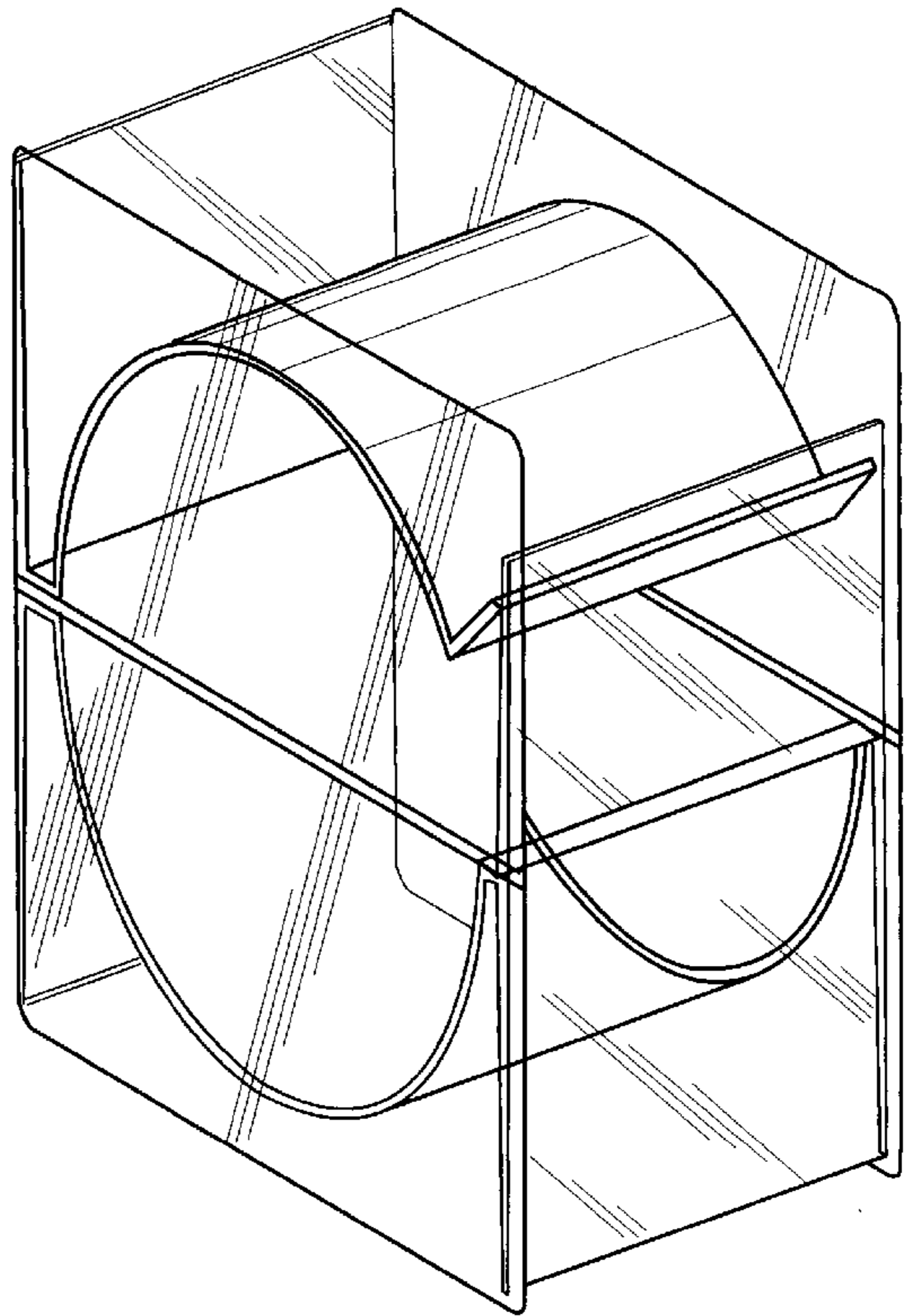


Fig. 2

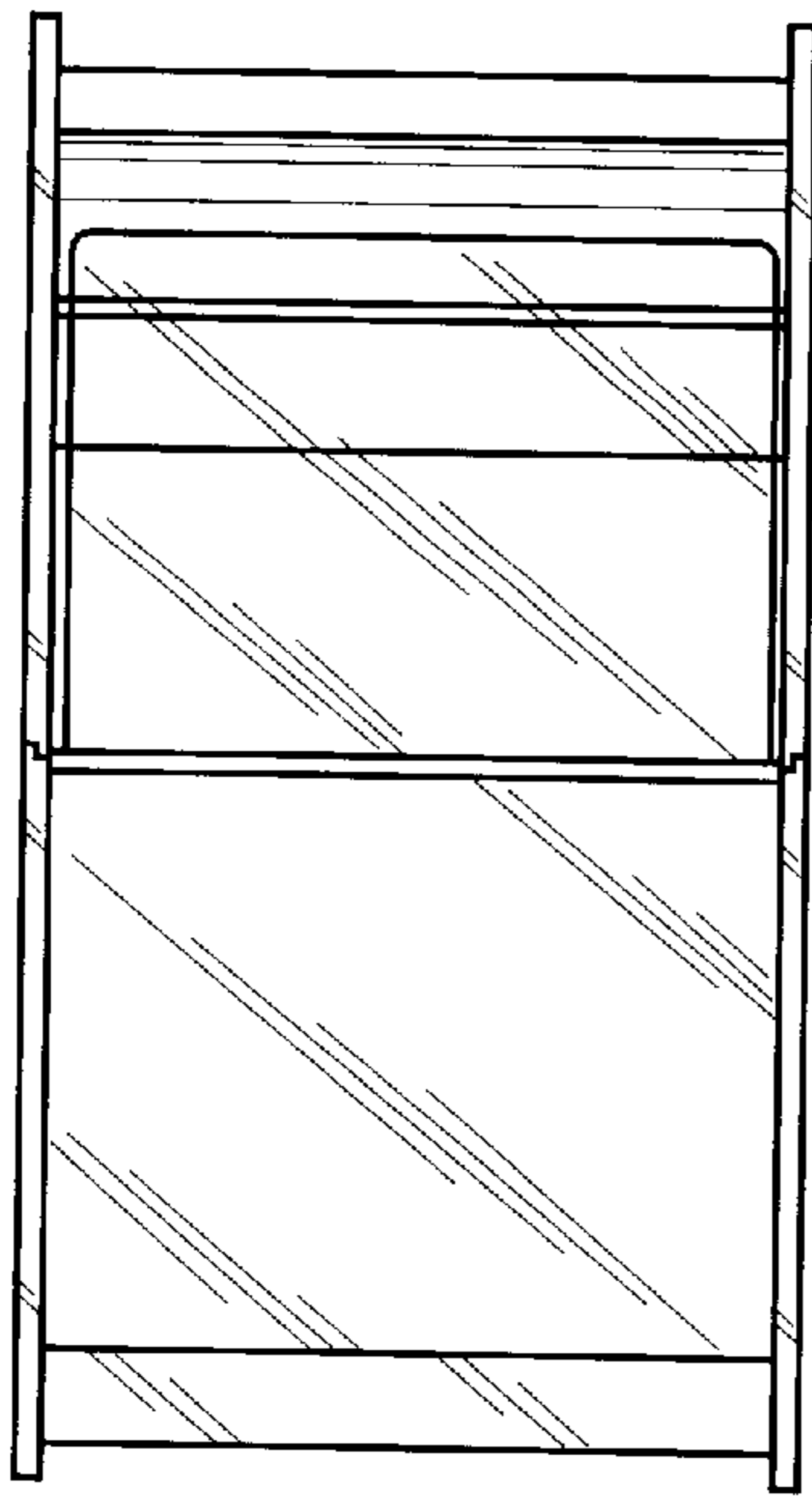


Fig. 3

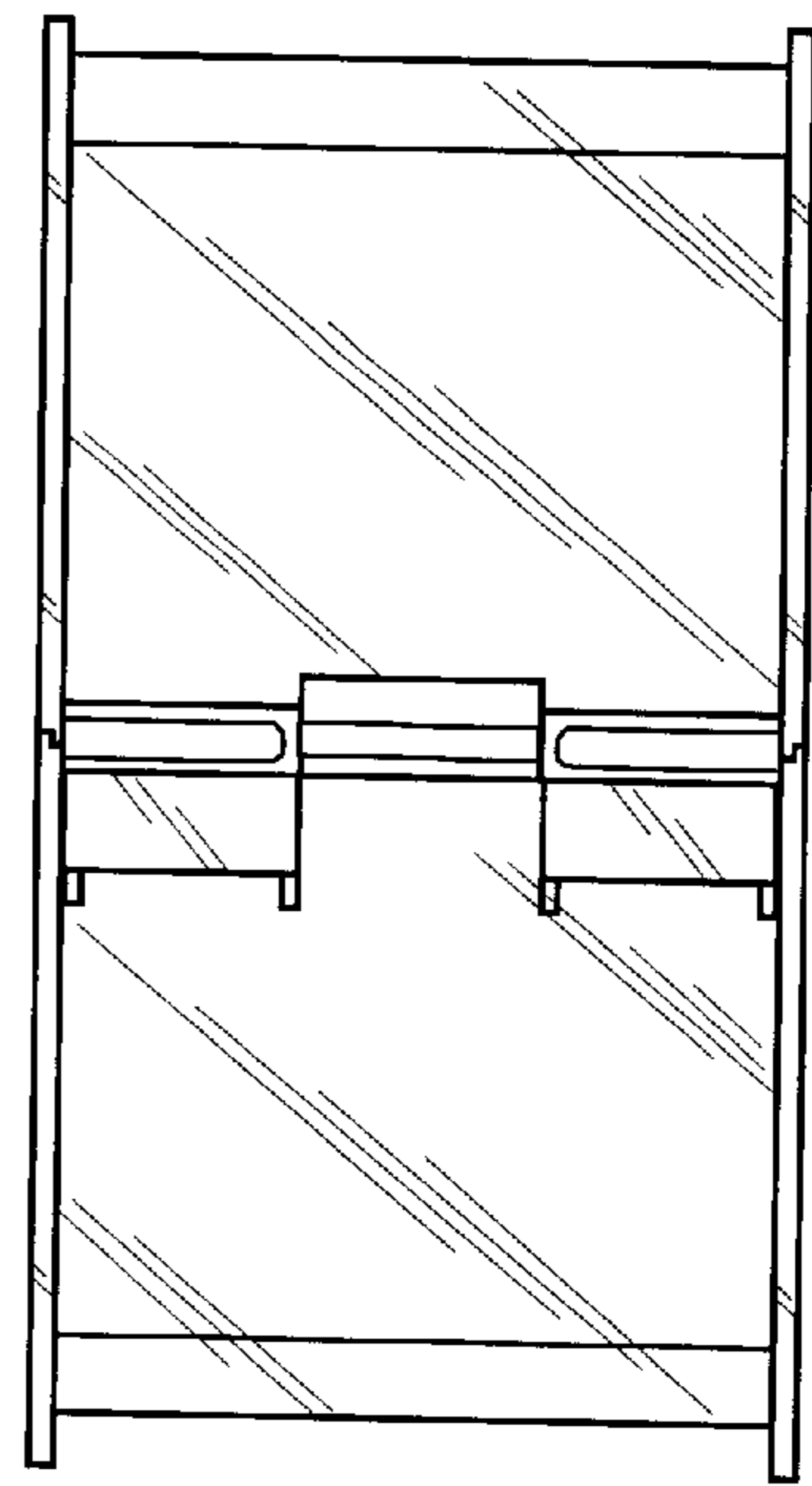


Fig. 4

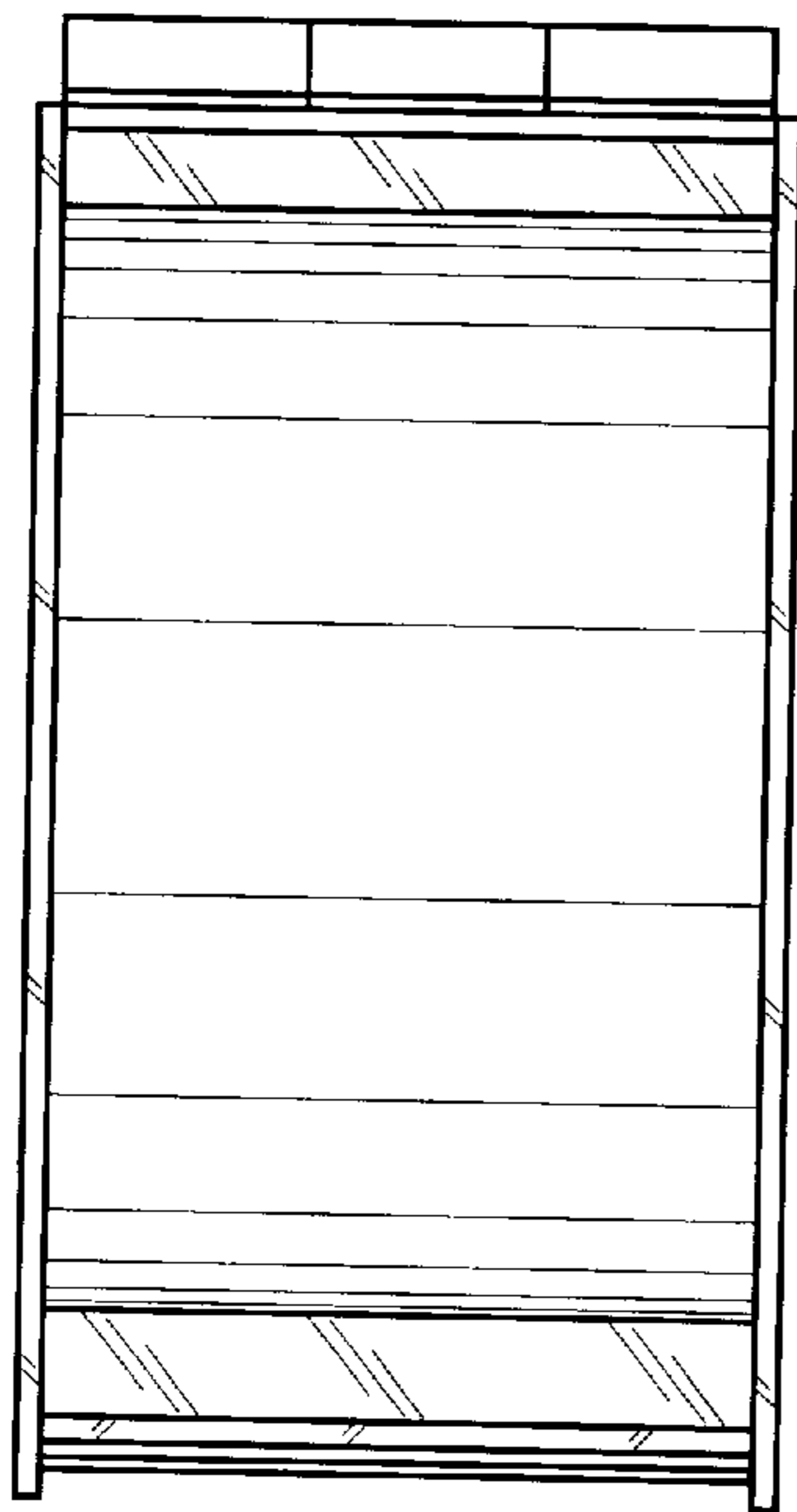


Fig. 5

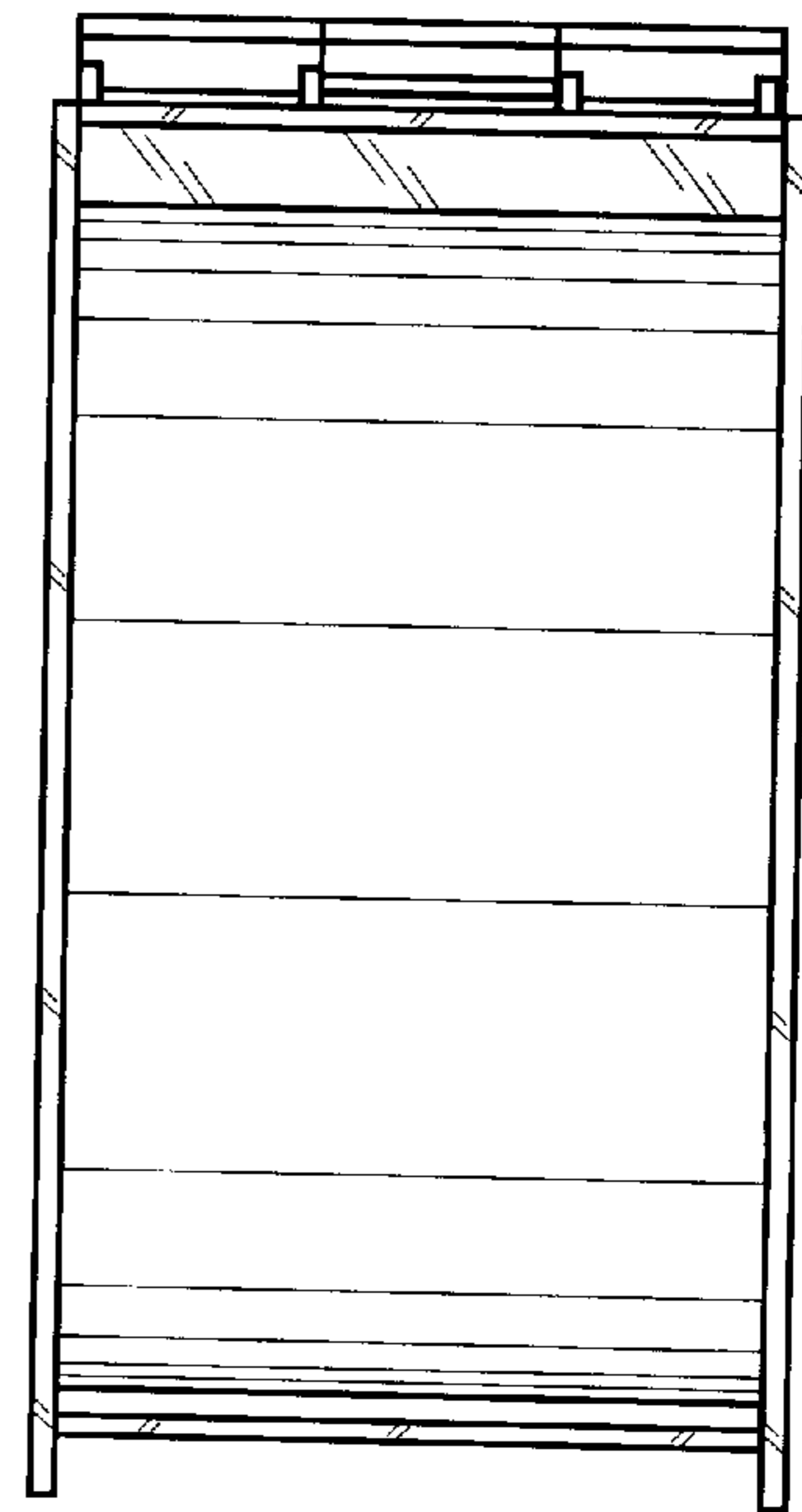


Fig. 6

Fig. 7

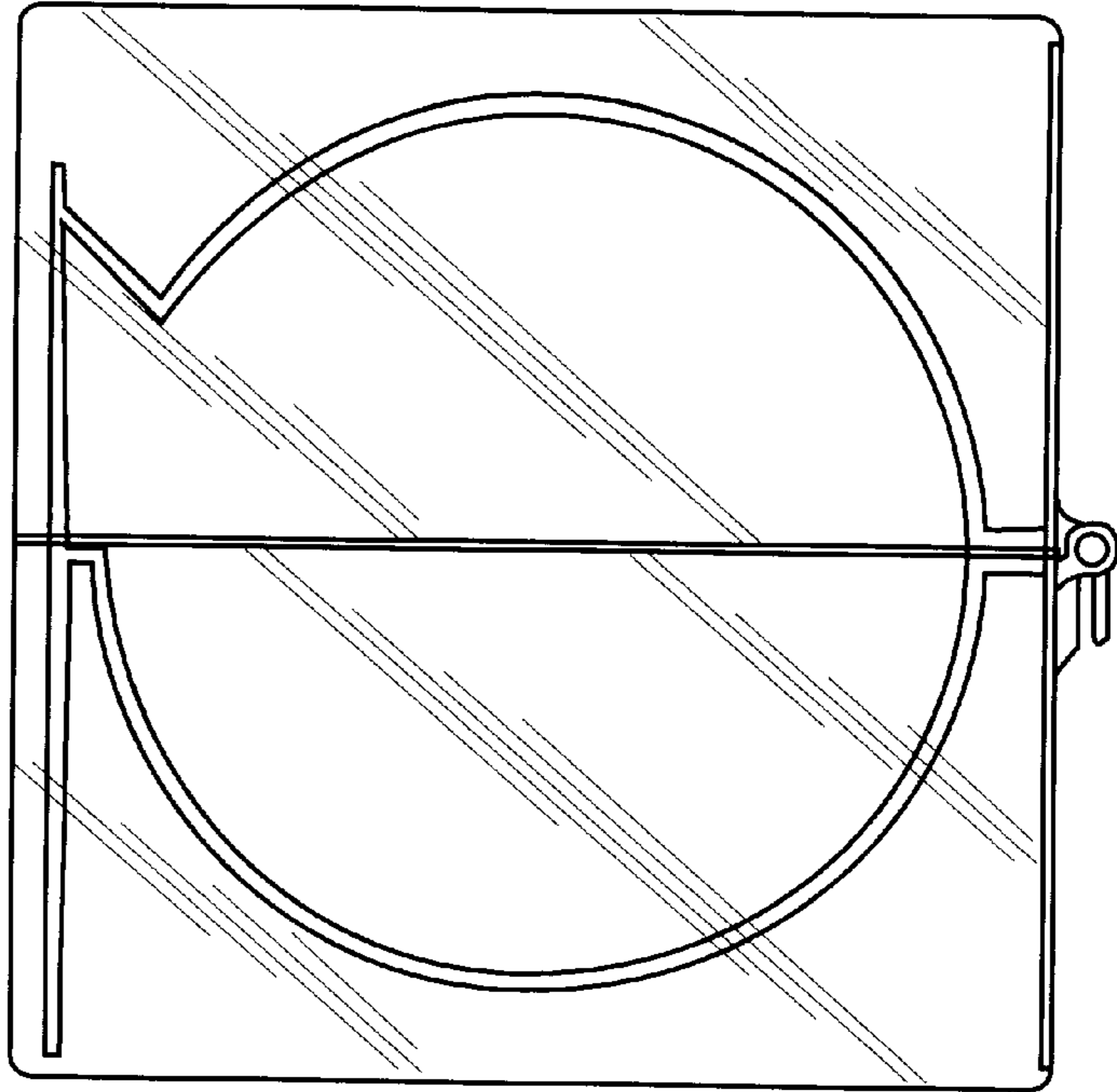


Fig. 8

