



US00D419800S

United States Patent [19]

[11] Patent Number: **Des. 419,800**

Ambasz

[45] Date of Patent: **** Feb. 1, 2000**

[54] **CHAIR SEAT AND BACK**

[75] Inventor: **Emilio Ambasz**, Buenos Aires, Argentina

[73] Assignee: **Center for Design Research and Development N.V.**, Netherlands Antilles

[**] Term: **14 Years**

[21] Appl. No.: **29/085,202**

[22] Filed: **Mar. 18, 1998**

D. 249,415	9/1978	Ambasz	D6/374
D. 249,416	9/1978	Ambasz	D6/374
D. 249,417	9/1978	Ambasz	D6/374
D. 254,878	5/1980	Ambasz	D6/366
D. 273,823	5/1984	Ambasz et al.	D6/366
D. 275,060	8/1984	Buhk	D6/502
D. 284,048	6/1986	Ambasz et al.	D6/380
D. 305,284	1/1990	Piretti	D6/366
D. 401,089	11/1998	Ambasz	D6/500
D. 401,794	12/1998	Ambasz	D6/500
4,333,683	6/1982	Ambasz	297/292
4,549,764	10/1985	Haedo	D6/500 X

Related U.S. Application Data

[62] Division of application No. 29/060,664, Oct. 3, 1996, Pat. No. Des. 401,089.

Foreign Application Priority Data

Apr. 24, 1996 [JP] Japan 8-12212

[51] **LOC (7) Cl.** **06-06**

[52] **U.S. Cl.** **D6/500; D6/366; D6/374**

[58] **Field of Search** D6/334, 364, 365, D6/366, 367, 372, 374, 380, 500, 501, 502; 297/292, 296, 297, 298, 299, 301.1, DIG. 2

References Cited

U.S. PATENT DOCUMENTS

D. 193,340	8/1962	Sundberg et al.	D6/374
D. 249,404	9/1978	Ambasz	D6/365
D. 249,405	9/1978	Ambasz	D6/366
D. 249,406	9/1978	Ambasz	D6/366

Primary Examiner—Gary D. Watson
Attorney, Agent, or Firm—Baker & Botts, L.L.P.

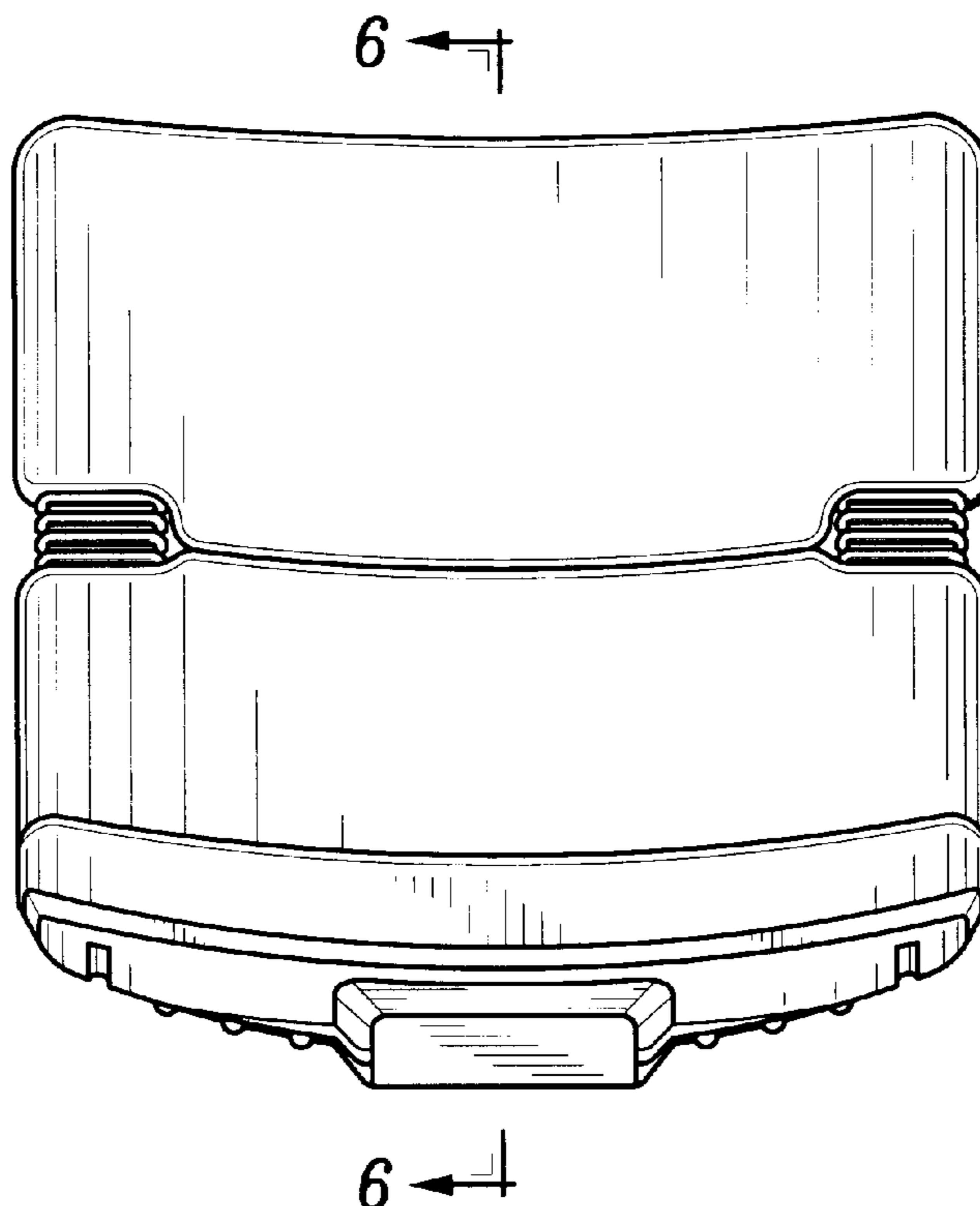
[57] CLAIM

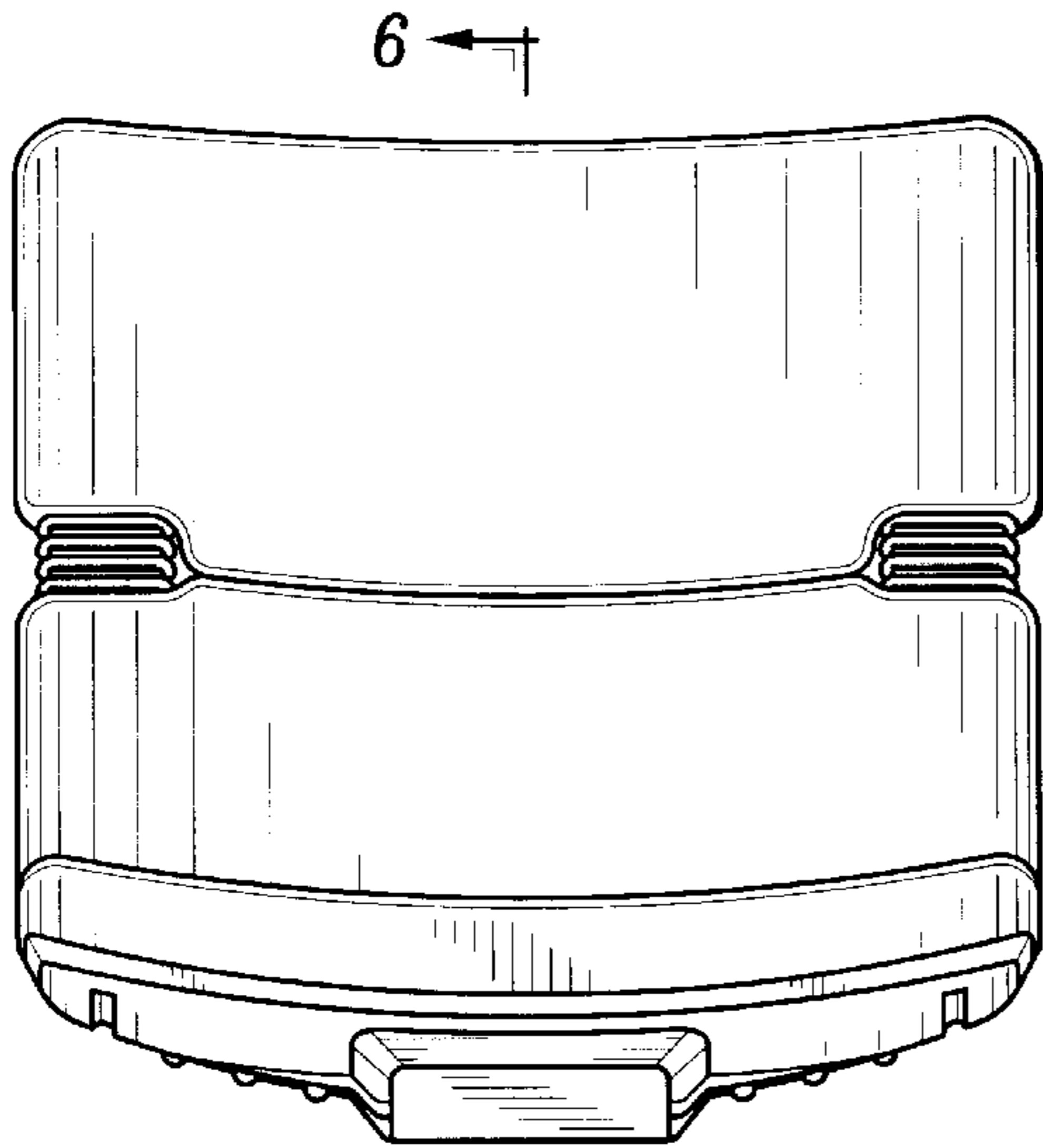
The ornamental design for a chair seat and back, as shown and described.

DESCRIPTION

FIG. 1 is a front elevational view of an embodiment of a chair seat and back according to my new design; FIG. 2 is a rear elevational view of the embodiment; FIG. 3 is a bottom plan view of the embodiment; FIG. 4 is a top plan view of the embodiment; FIG. 5 is a left side elevational view of the embodiment, and is also a mirror image of the right side thereof; FIG. 6 is a left side cross-sectional view of the embodiment, which is taken along the lines 6—6 of FIG. 1; and, FIG. 7 is a top cross-sectional view of the lower back portion of the embodiment, which is taken along the lines 7—7 of FIG. 5.

1 Claim, 2 Drawing Sheets





6 ←

FIG. 1

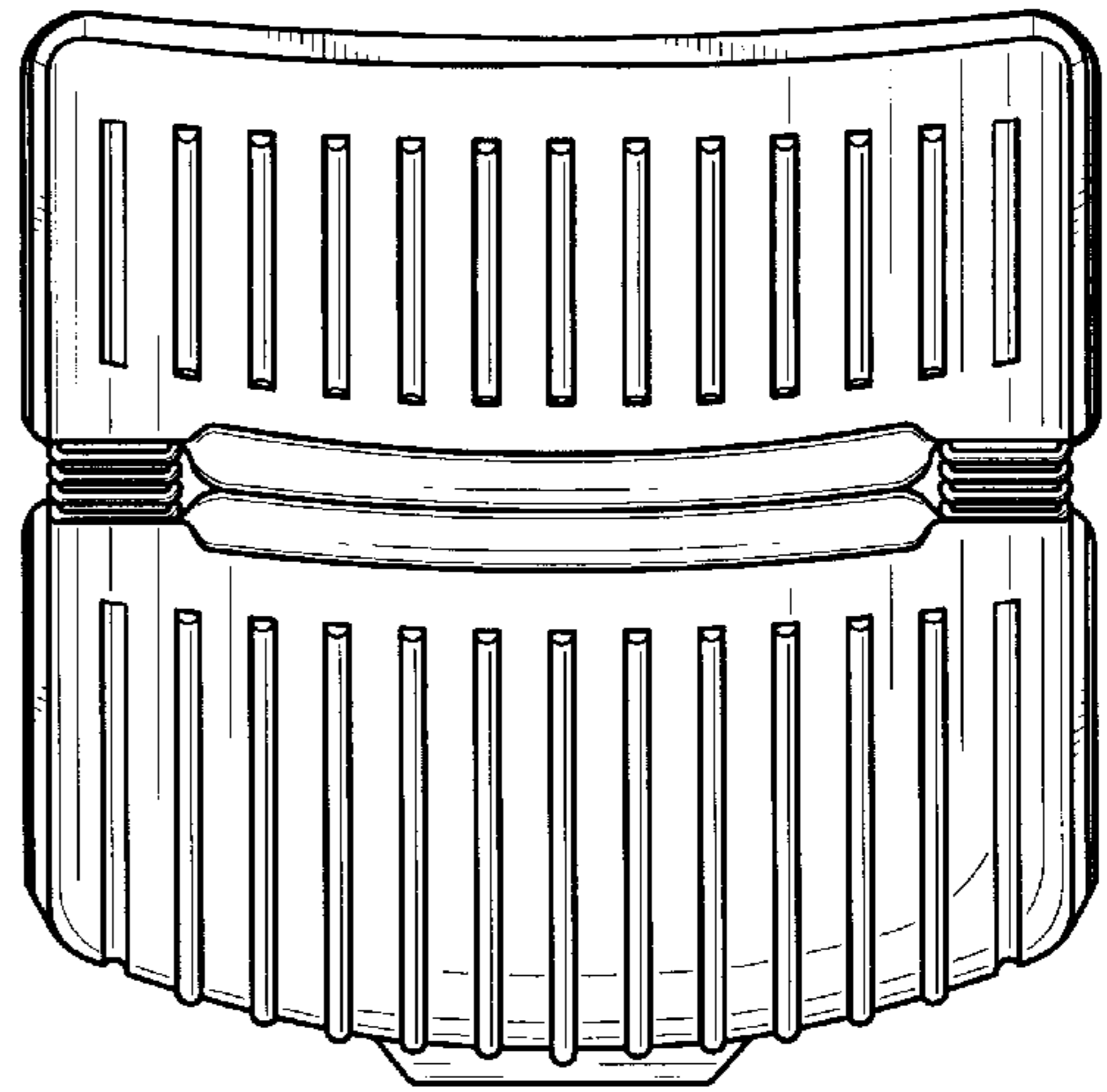


FIG. 2

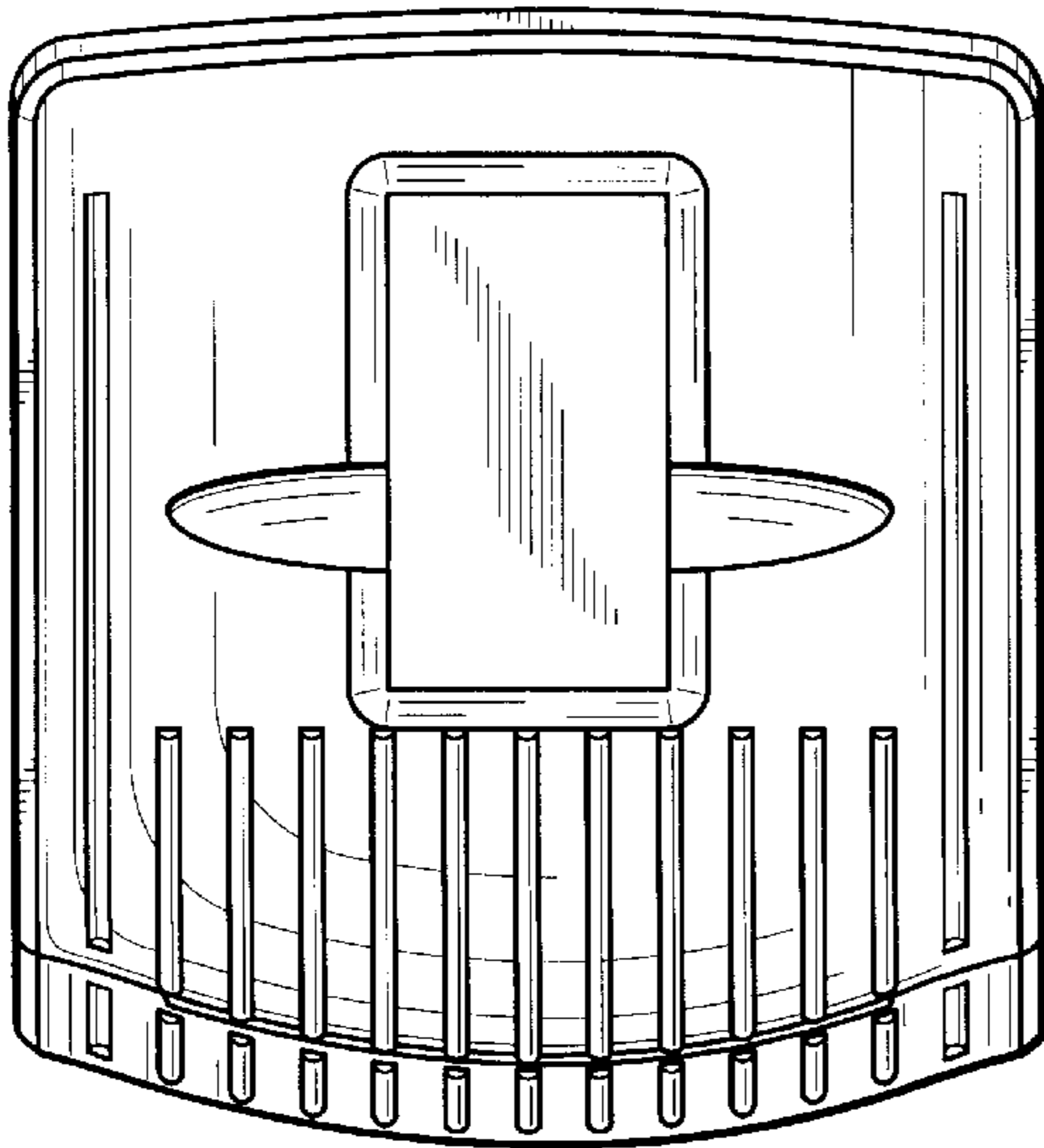


FIG. 3

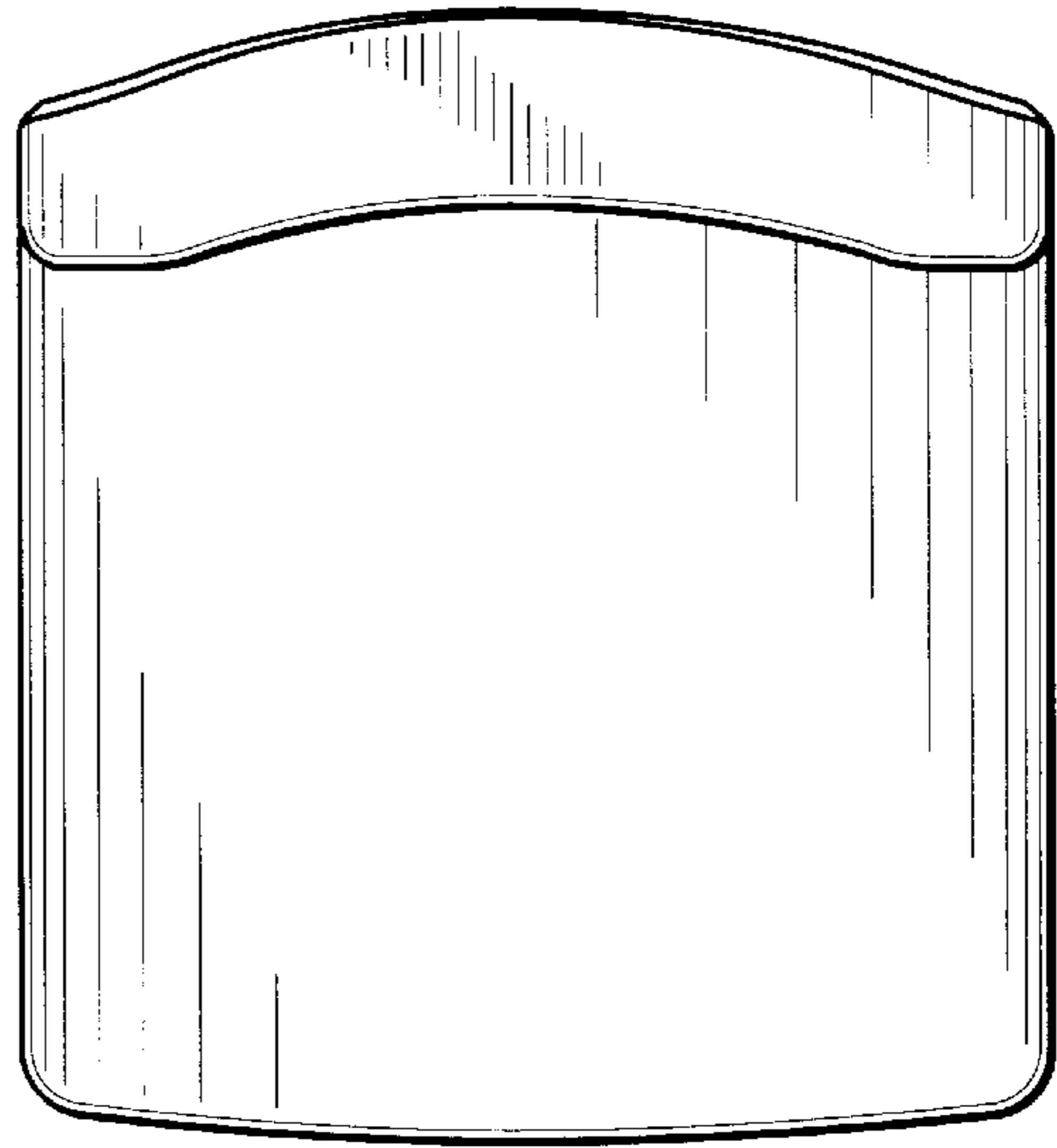


FIG. 4

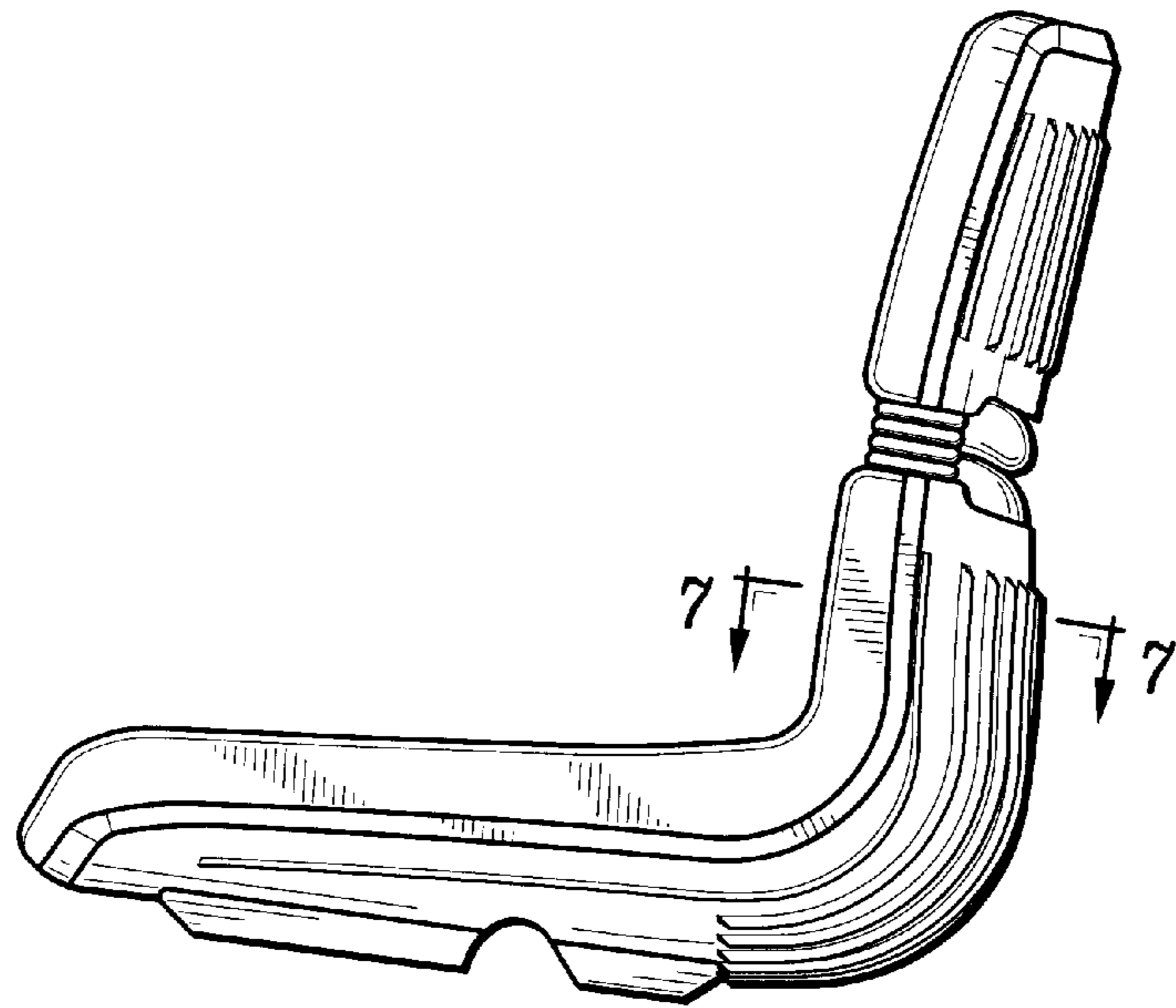


FIG. 5

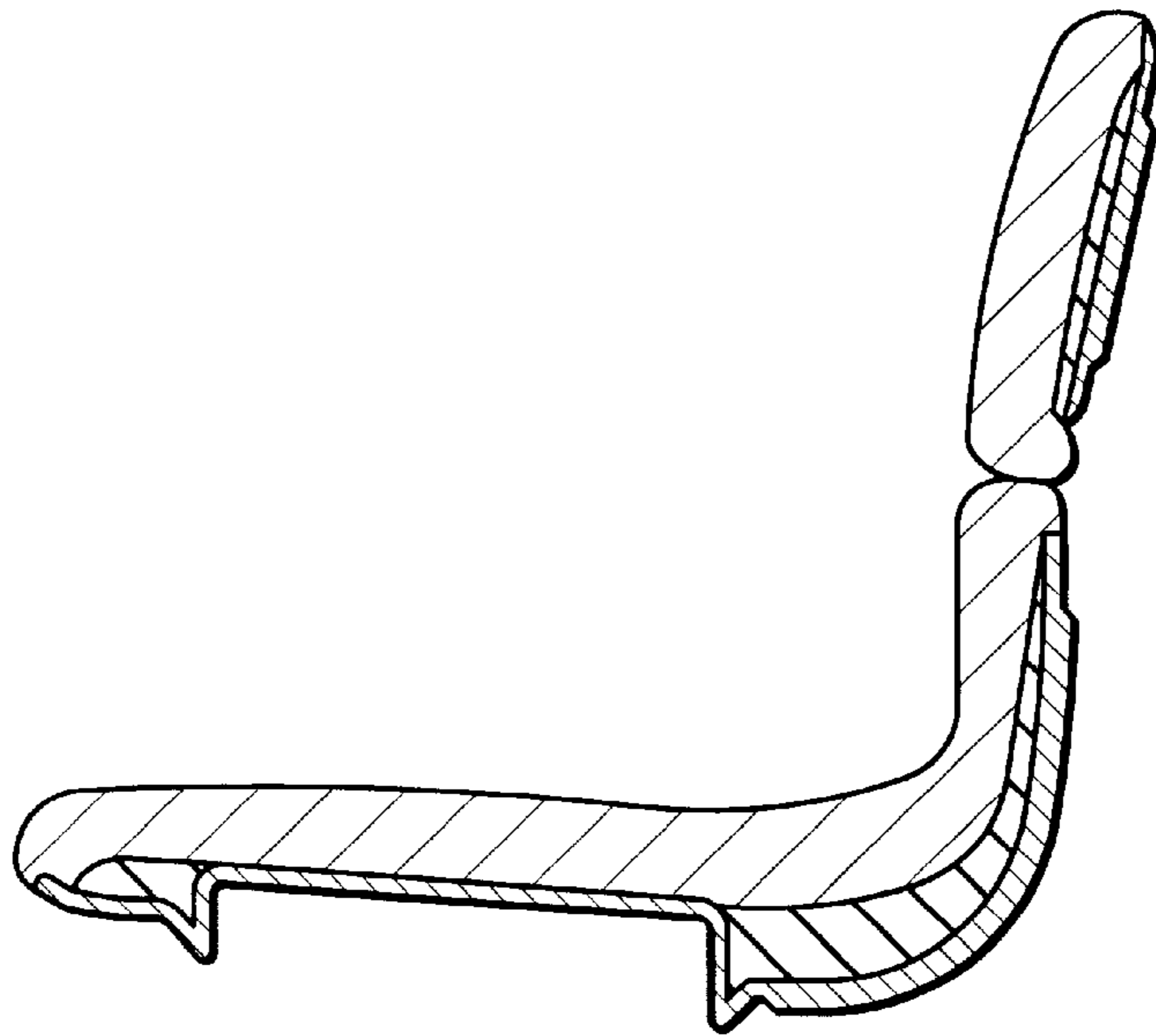


FIG. 6

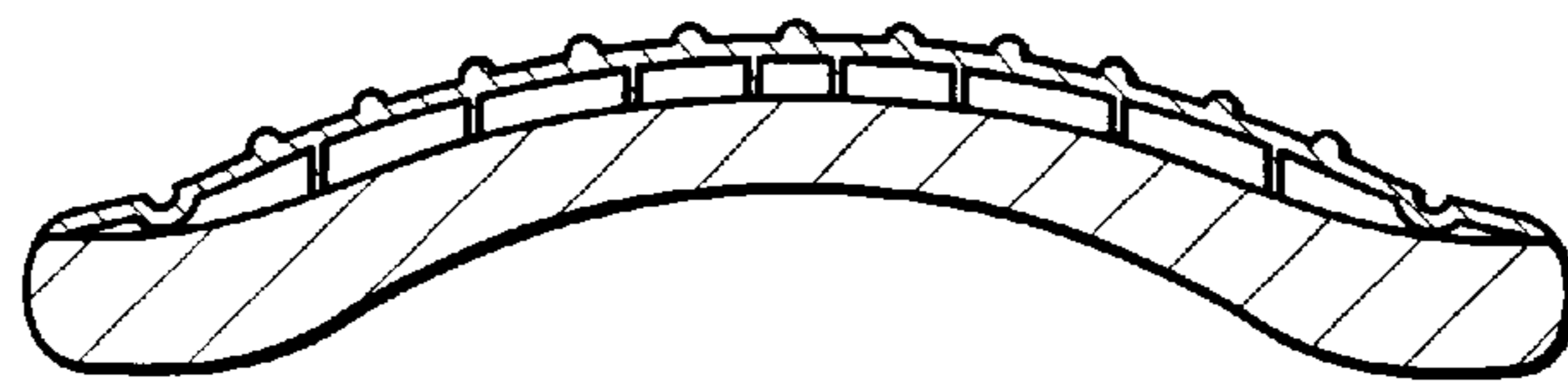


FIG. 7