



US00D419792S

United States Patent [19] Tseng

[11] **Patent Number: Des. 419,792**

[45] **Date of Patent: ** Feb. 1, 2000**

[54] **LAWN CHAIR**

[75] **Inventor: Chuen-Jong Tseng, Chiayi Hsien, Taiwan**

[73] **Assignee: Shin Yen Enterprise Co., Ltd., Chiayi Hsien, Taiwan**

[**] **Term: 14 Years**

[21] **Appl. No.: 29/105,779**

[22] **Filed: Jun. 2, 1999**

[51] **LOC (7) Cl. 06-01**

[52] **U.S. Cl. D6/376; D6/379; D6/380**

[58] **Field of Search D6/334, 369, 370, D6/374, 375, 376, 379, 380, 500, 501, 502; 297/445.1, 446.1**

[56] **References Cited**

U.S. PATENT DOCUMENTS

D. 269,747 7/1983 Wallace D6/376

D. 286,827 11/1986 Arthur, Jr. D6/376
D. 286,828 11/1986 Arthur, Jr. D6/376
D. 357,818 5/1995 Stoddart et al. D6/376
D. 357,820 5/1995 Minchey et al. D6/376
D. 409,849 5/1999 Tseng D6/376 X

Primary Examiner—Gary D. Watson
Attorney, Agent, or Firm—Ladas & Parry

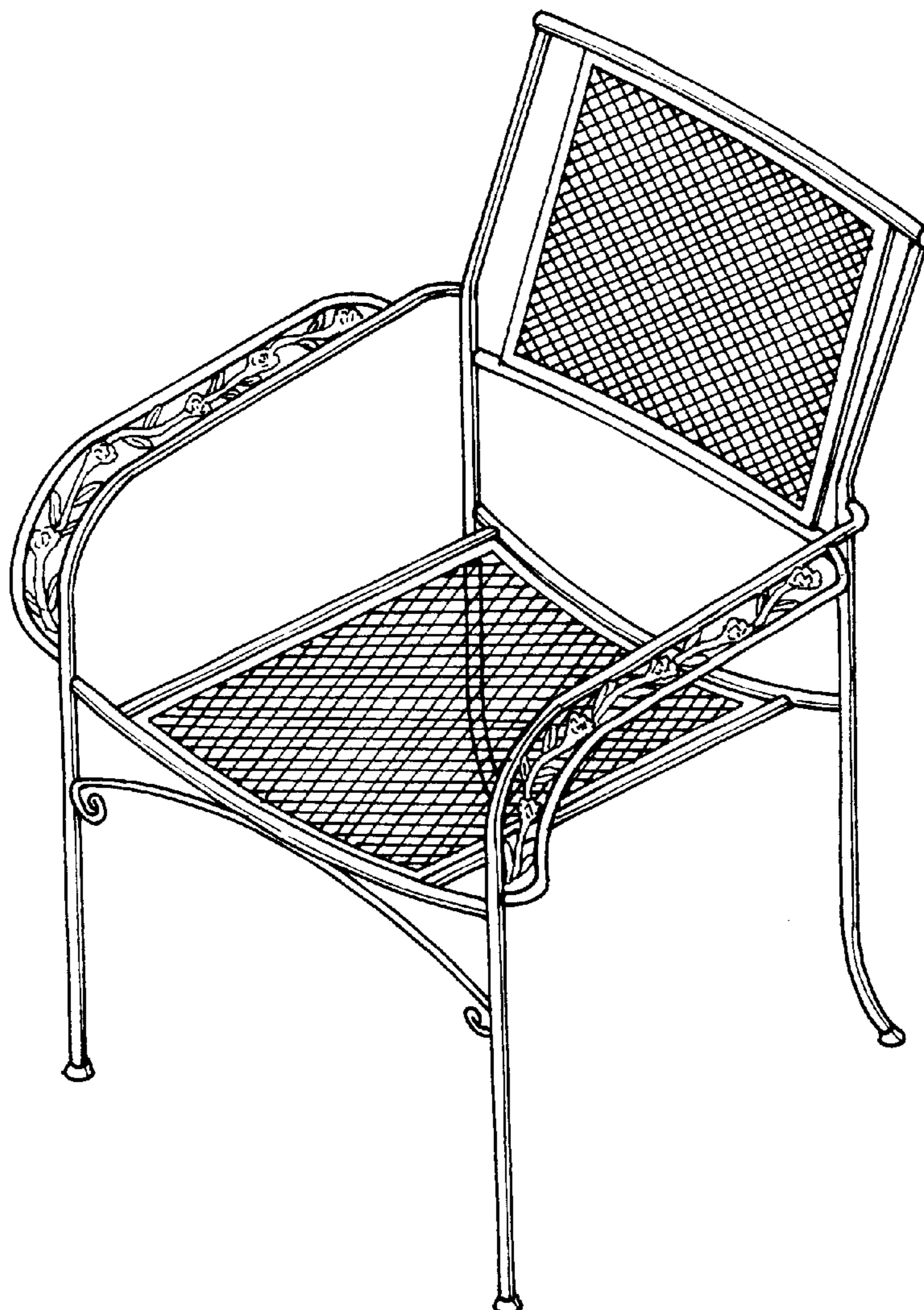
[57] **CLAIM**

The ornamental design for a lawn chair, as shown and described.

DESCRIPTION

FIG. 1 is a perspective view of lawn chair showing my new design;
FIG. 2 is a front elevational view thereof;
FIG. 3 is a rear elevational view thereof;
FIG. 4 is a left side elevational view thereof;
FIG. 5 is a right side elevational view thereof;
FIG. 6 is a top plan view thereof; and,
FIG. 7 is a bottom plan view thereof.

1 Claim, 4 Drawing Sheets



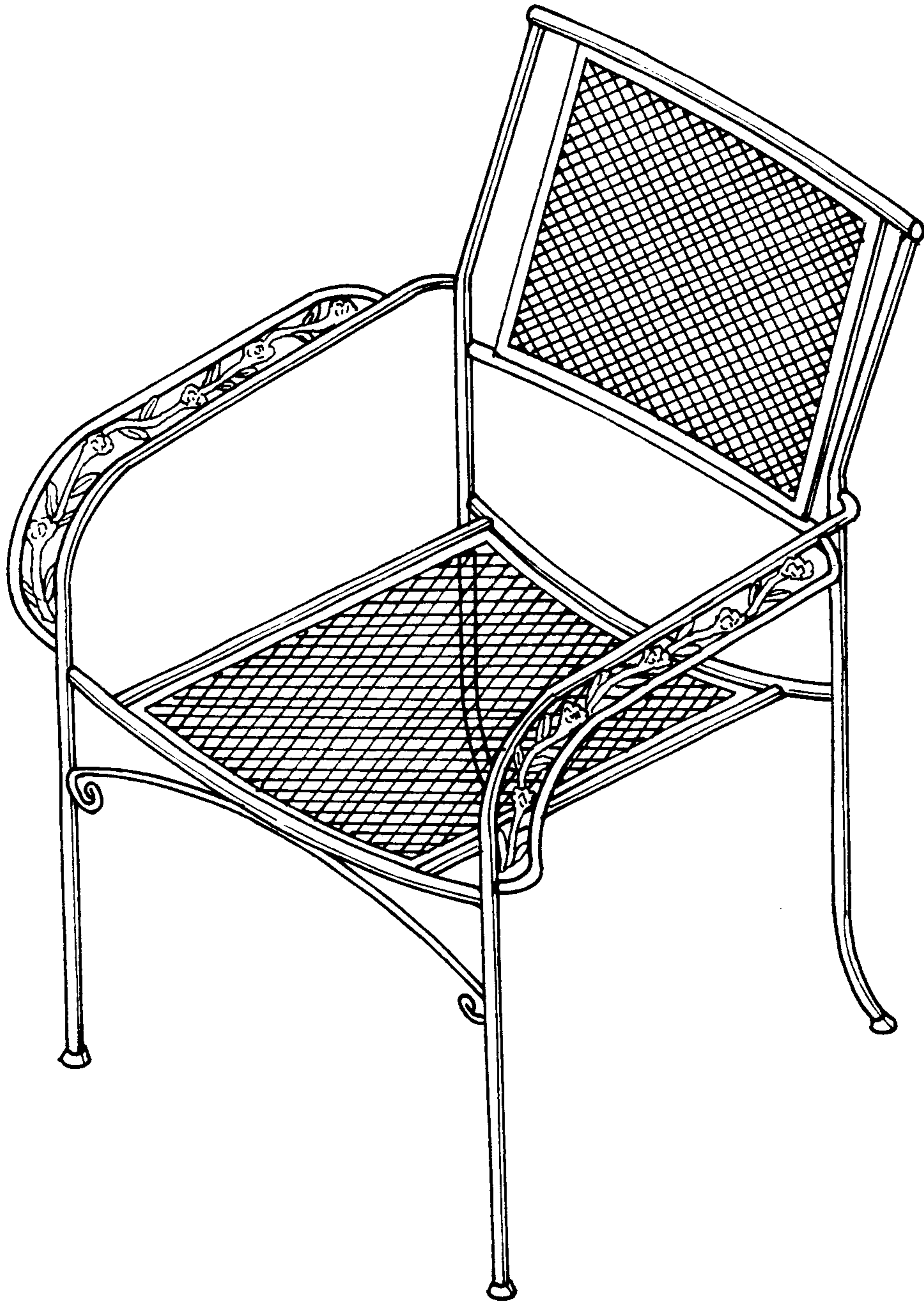


FIG. 1

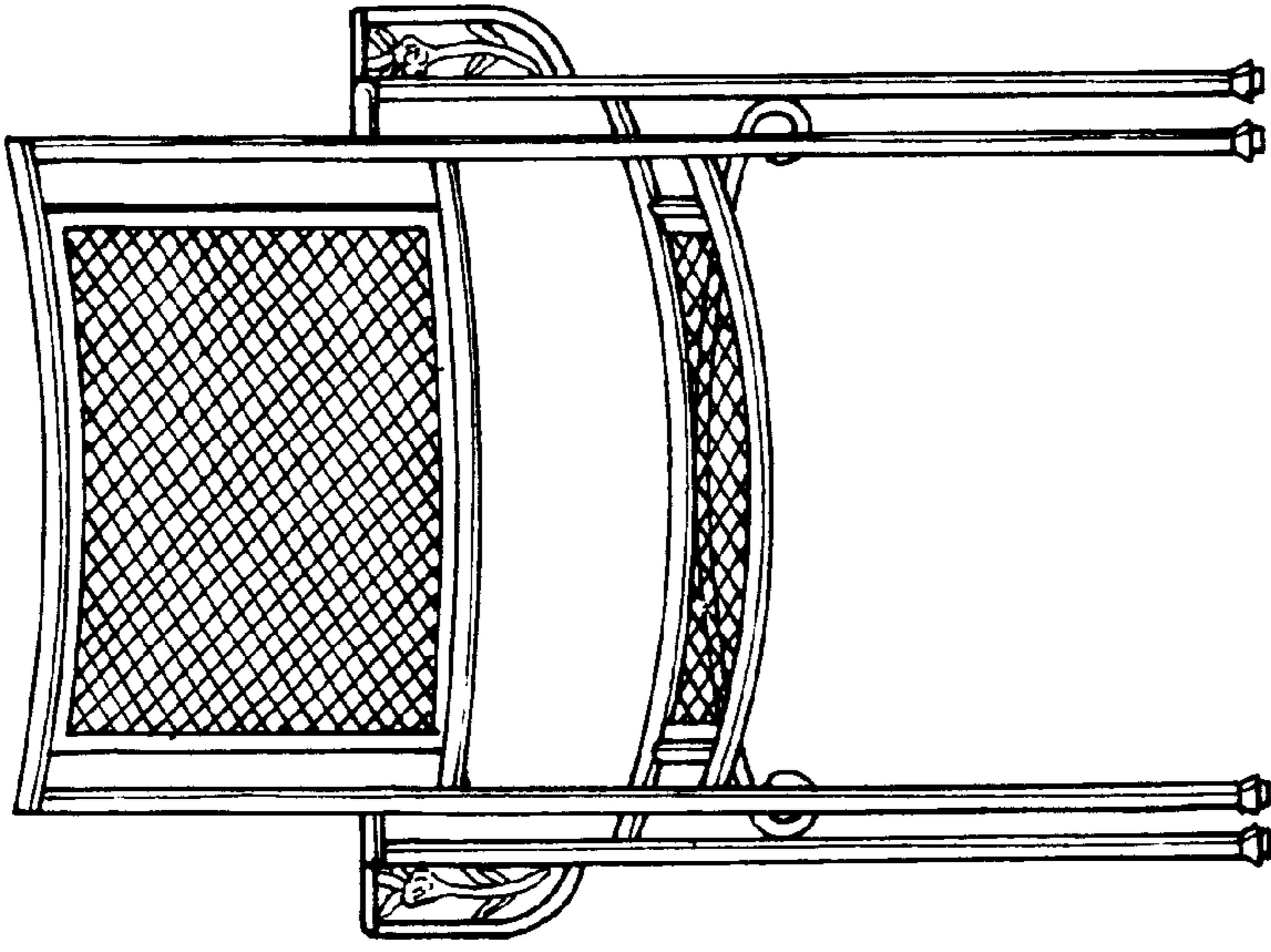


FIG. 3

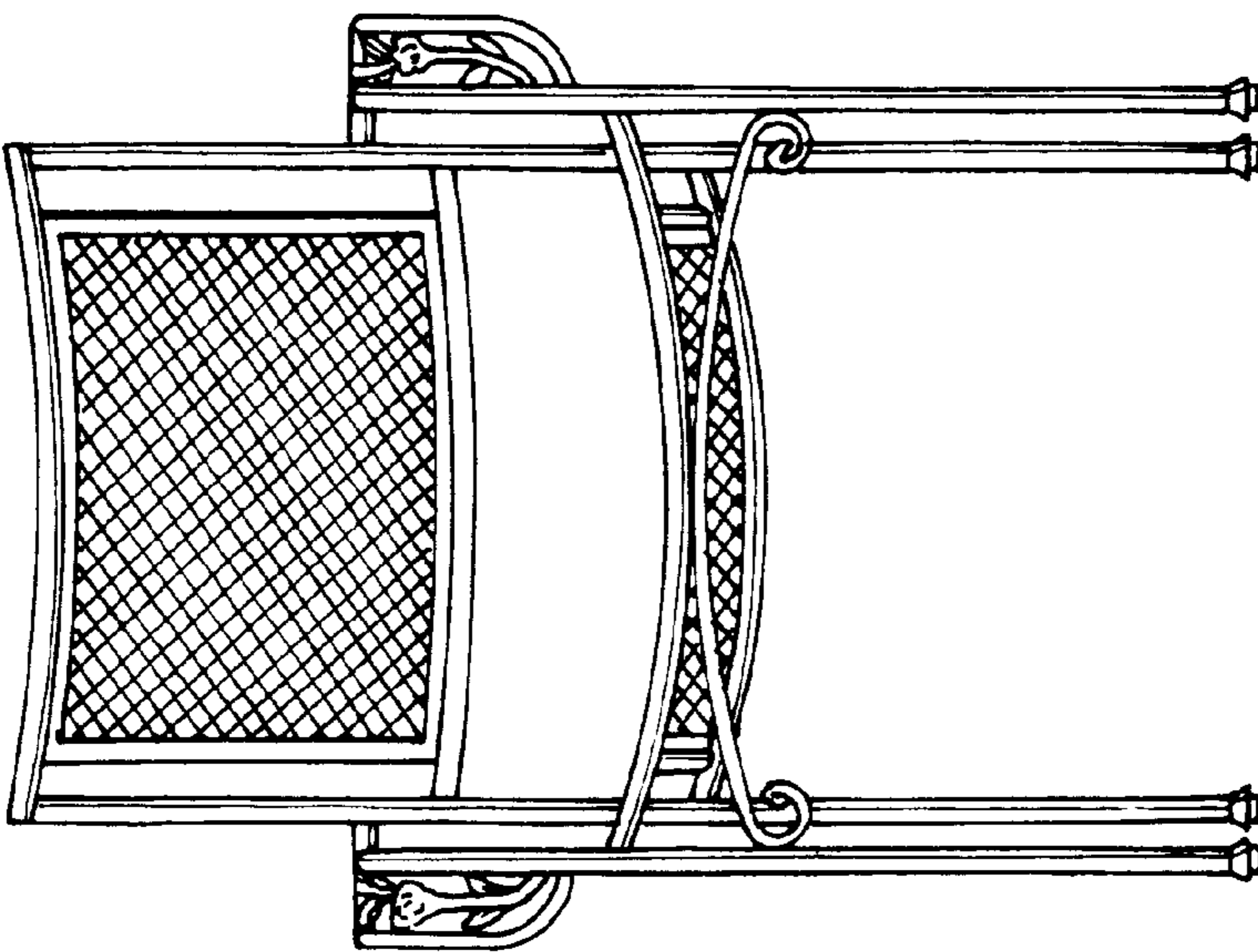


FIG. 2

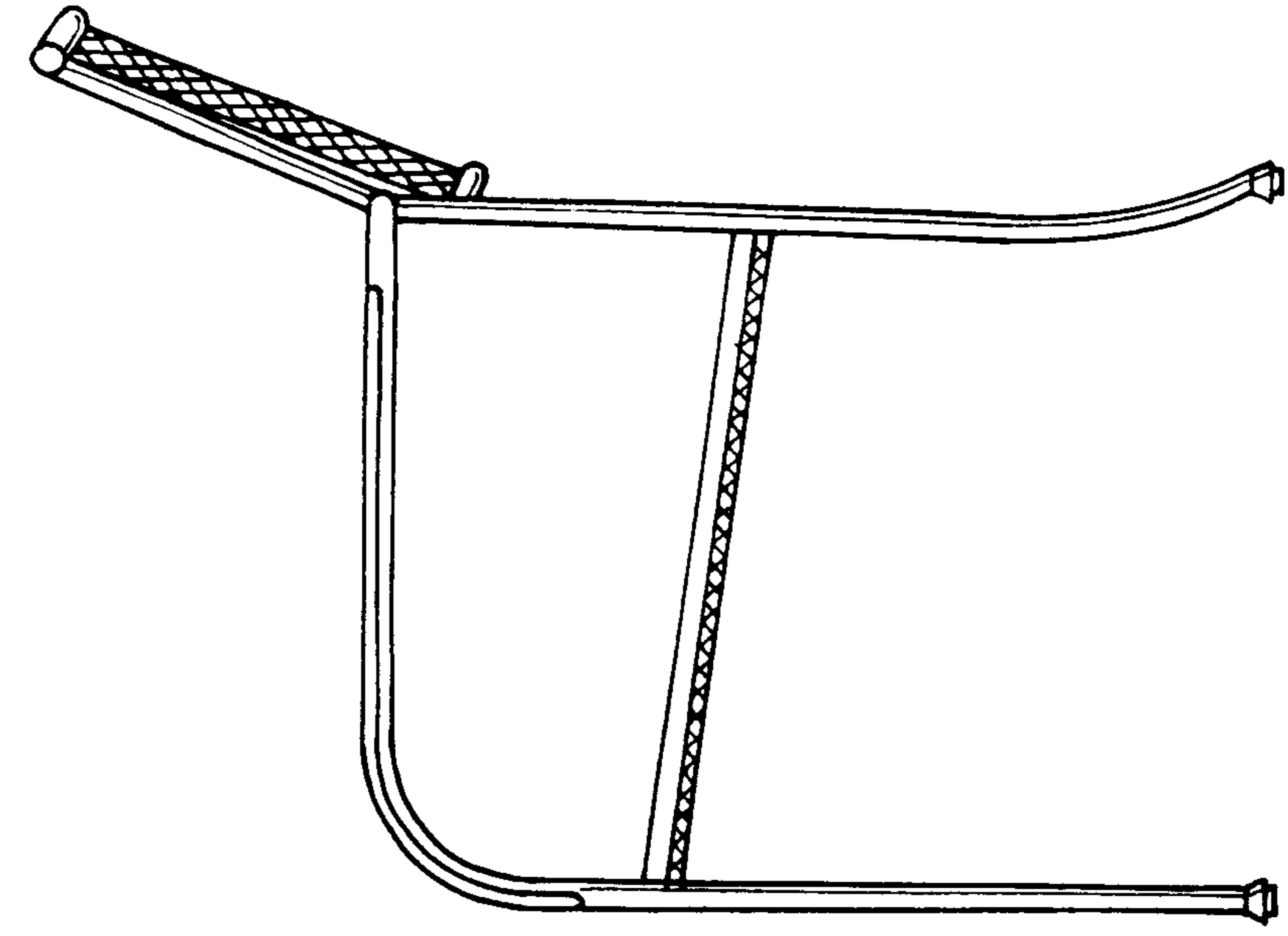


FIG. 4

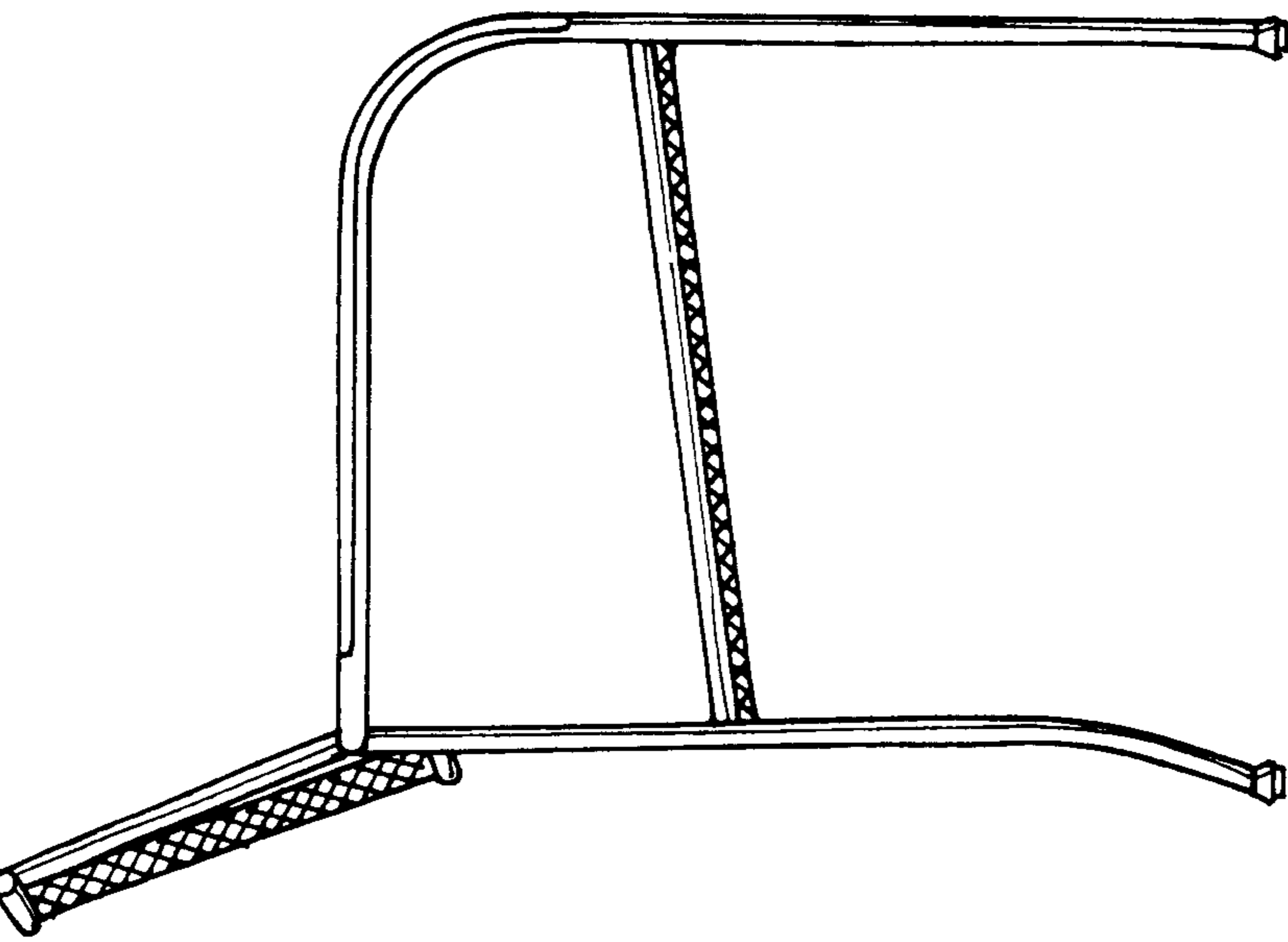


FIG. 5

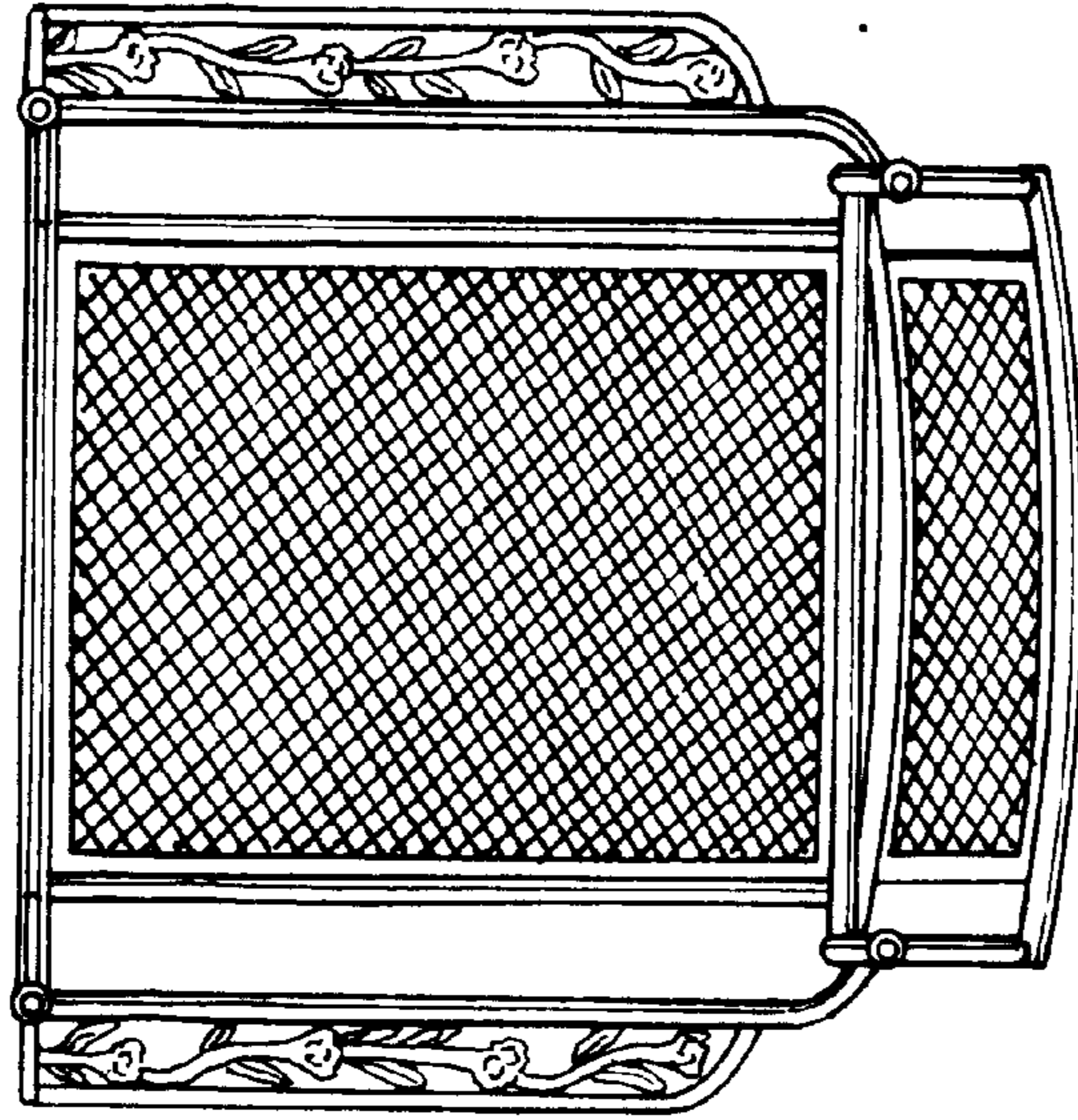


FIG. 7

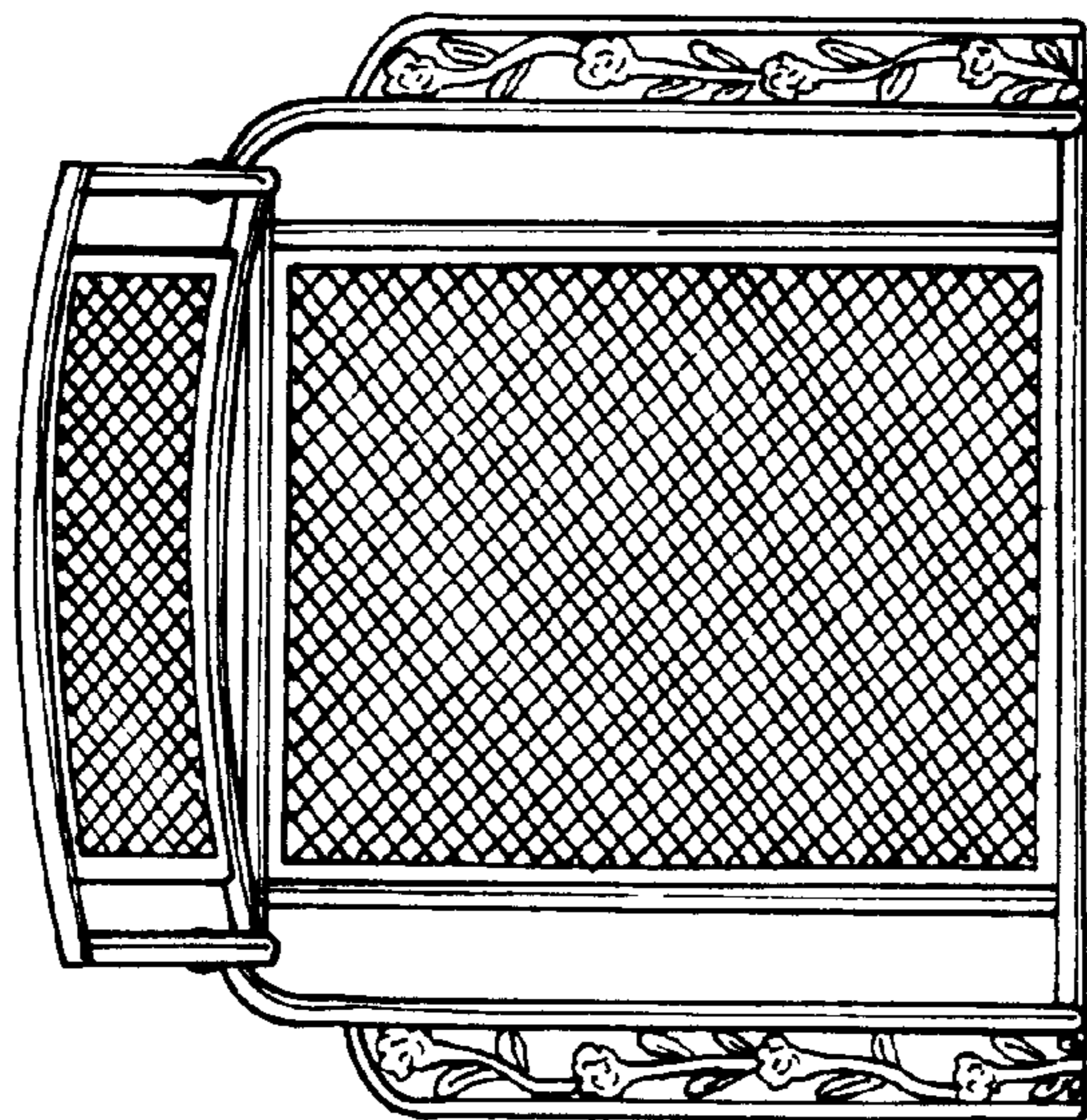


FIG. 6