



US00D419790S

United States Patent [19] Rhienen

[11] **Patent Number: Des. 419,790**
[45] **Date of Patent: ** Feb. 1, 2000**

[54] **ARM CHAIR WITH SLOTTED SEAT**

[75] Inventor: **Alphons Van Rhienen**, Schoten, Belgium

[73] Assignee: **Euro United Corporation**, Oakville, Canada

[**] Term: **14 Years**

[21] Appl. No.: **29/104,461**

[22] Filed: **May 5, 1999**

[30] **Foreign Application Priority Data**

Mar. 9, 1999 [CA] Canada 1999-0600

[51] **LOC (7) Cl.** **06-01**

[52] **U.S. Cl.** **D6/369; D6/379**

[58] **Field of Search** D6/334, 369, 370, D6/374, 375, 376, 379, 380, 500, 501, 502; 297/239, 445.1, 446.1, 452.64, DIG. 2

[56] **References Cited**

U.S. PATENT DOCUMENTS

D. 234,480	3/1975	Grosfillex	D6/376
D. 238,989	3/1976	Grosfillex	D6/376
D. 274,770	7/1984	Massonnet	D6/375
D. 287,673	1/1987	Verschuren	D6/379
D. 336,174	6/1993	Lamalle	D6/379
D. 336,382	6/1993	Hubert	D6/370
D. 339,007	9/1993	Grosfillex	D6/379

D. 341,953	12/1993	Bemis et al.	D6/370
D. 362,975	10/1995	Sagol	D6/370
D. 364,284	11/1995	Prosperio	.	
D. 364,748	12/1995	Morin	.	
D. 367,564	3/1996	Maple	D6/379
D. 370,361	6/1996	Grosfillex	.	
D. 373,255	9/1996	Gresens	.	
D. 373,478	9/1996	Grosfillex	.	
D. 380,620	7/1997	Niemiec	D6/369 X
D. 407,228	3/1999	Walters	D6/370

OTHER PUBLICATIONS

“Creez Votre, Propre Decor De Jardin” Sears Catalog, May 1991.

Primary Examiner—Gary D. Watson
Attorney, Agent, or Firm—Barrigar & Moss

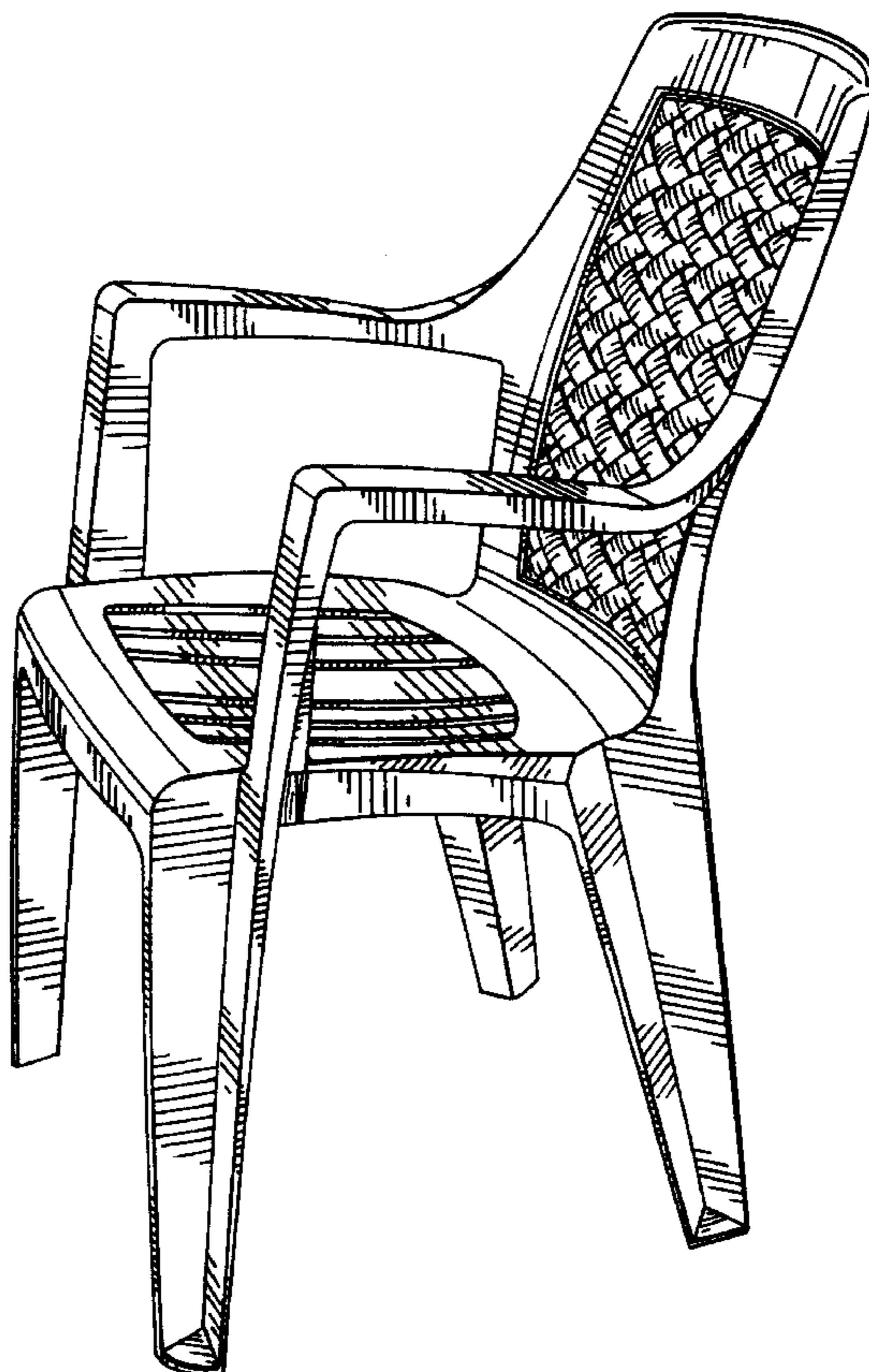
[57] **CLAIM**

The ornamental design for an arm chair with slotted seat, as shown and described.

DESCRIPTION

FIG. 1 is a perspective view of the design taken from above and showing the right side thereof; FIG. 2 is a front view of the design; FIG. 3 is a back view of the design; FIG. 4 is a right view of the design, the left view of the chair being a mirror image of the right; and, FIG. 5 is a top view of the design.

1 Claim, 3 Drawing Sheets



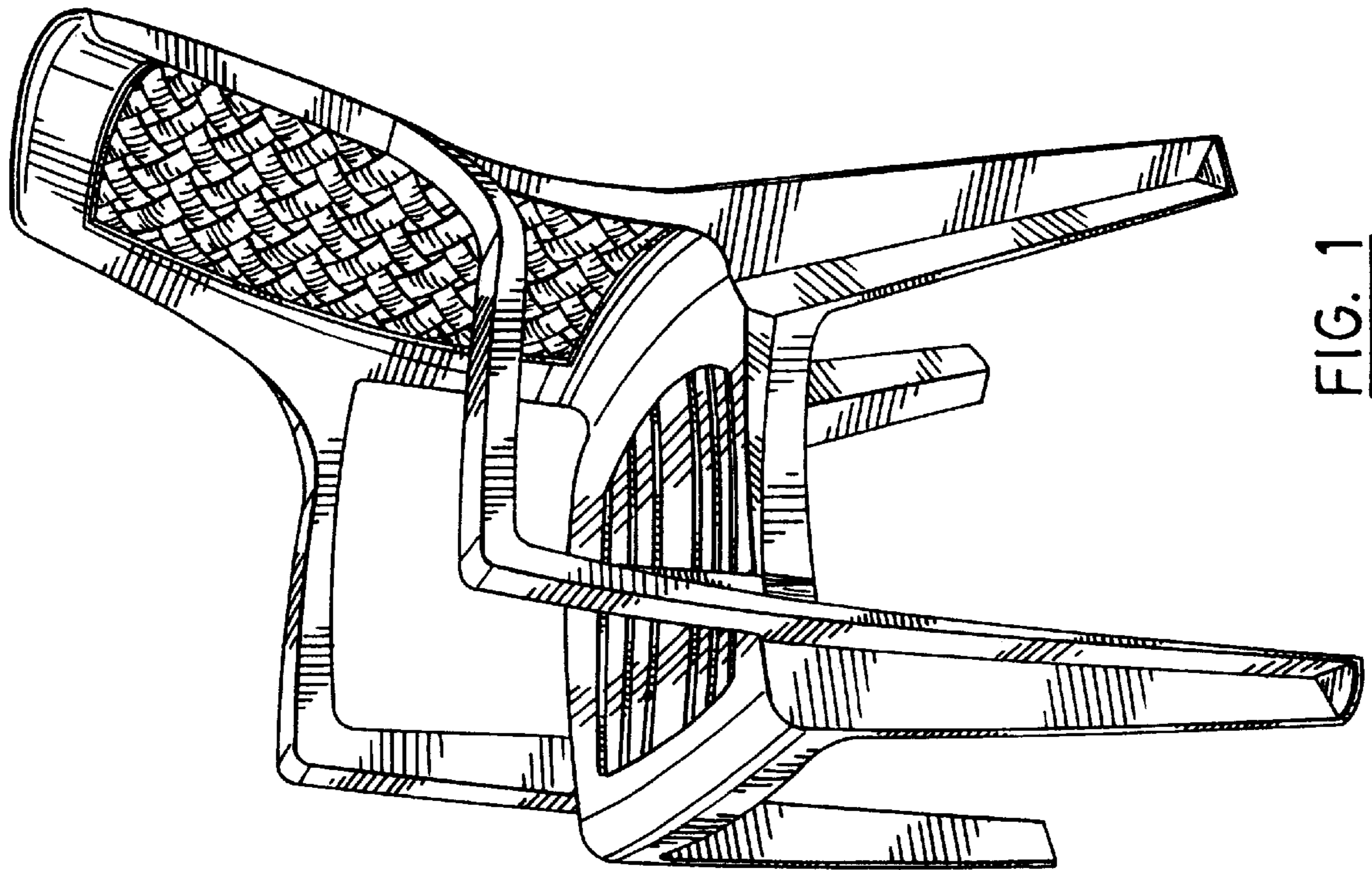


FIG. 1

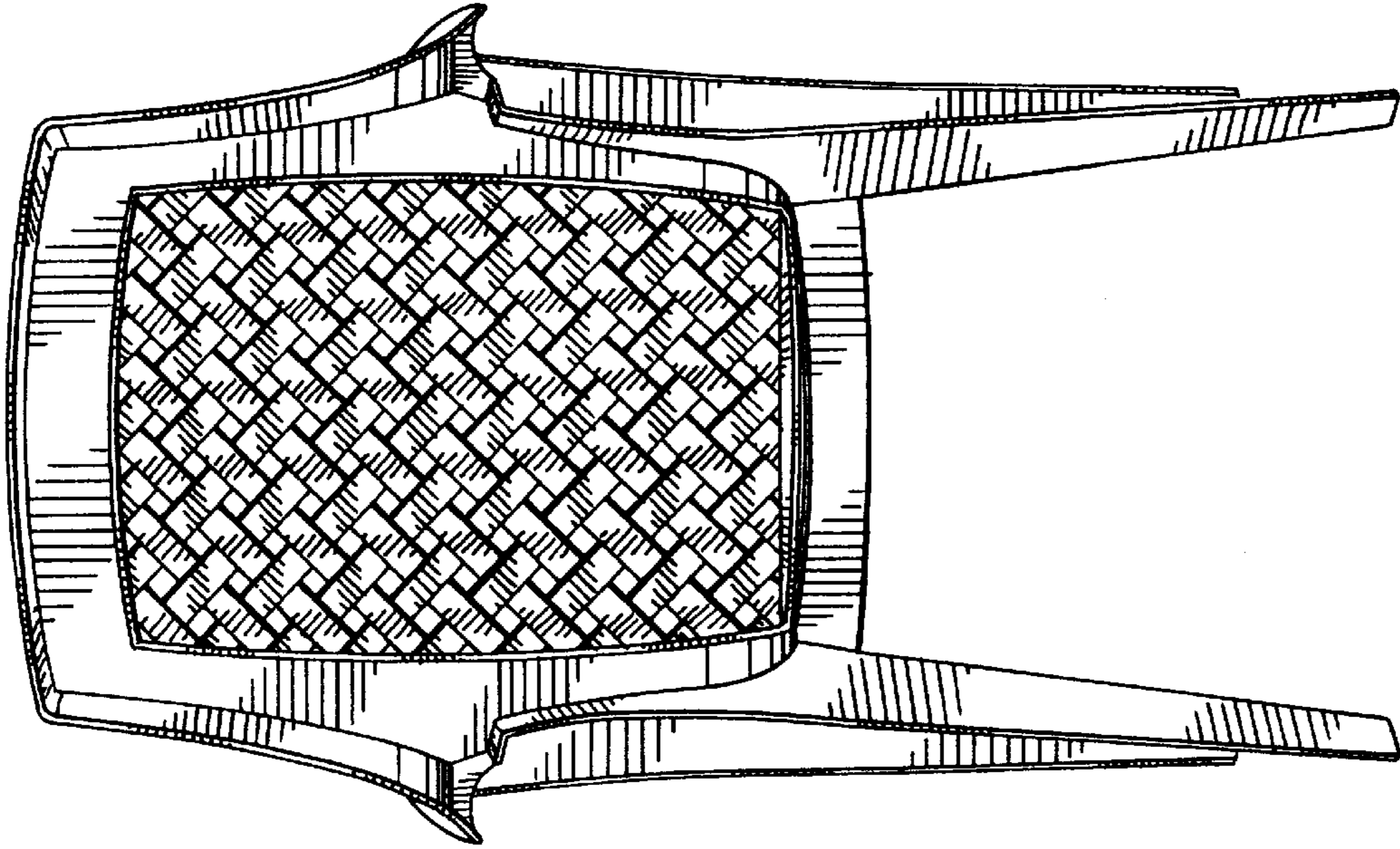


FIG. 3

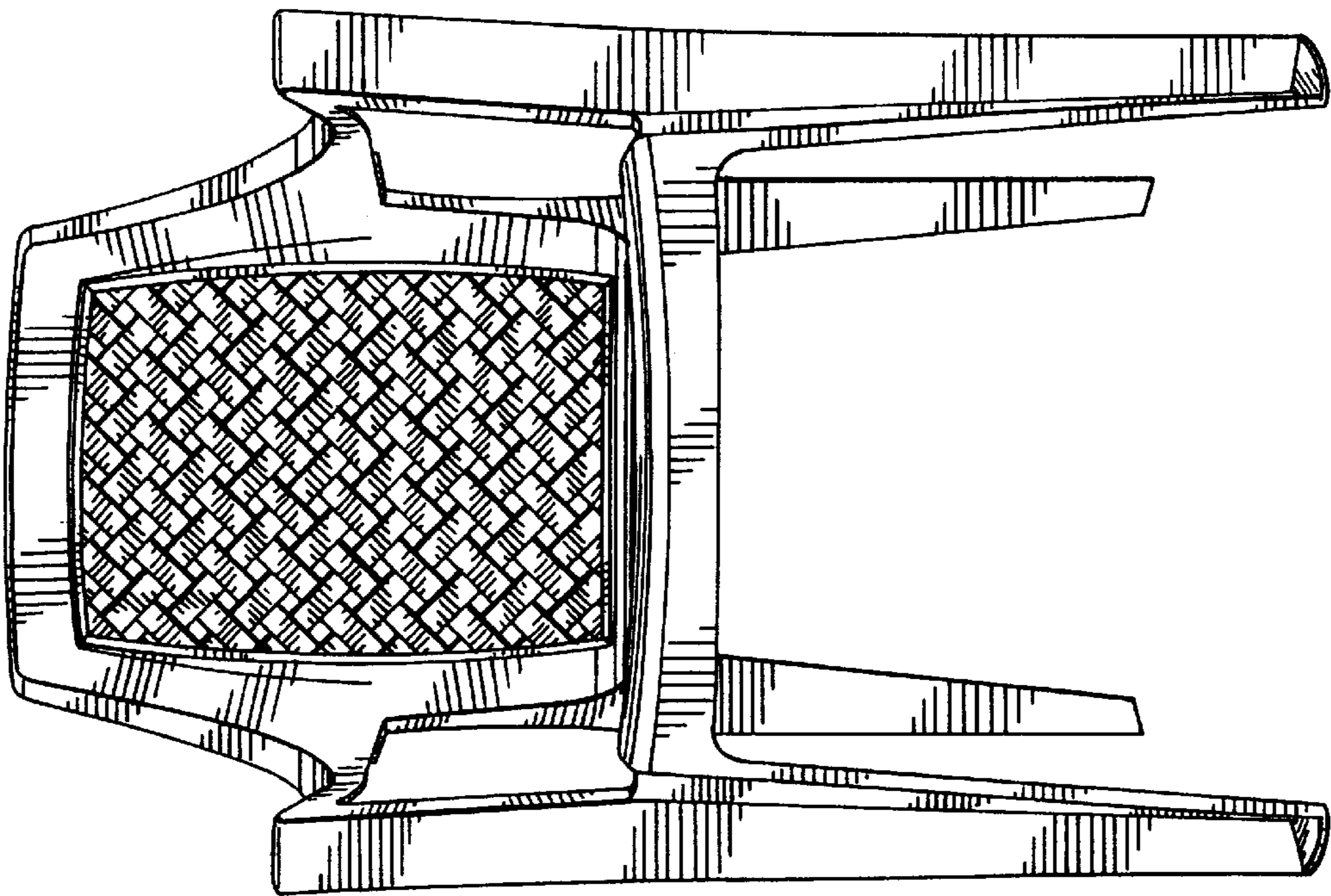


FIG. 2

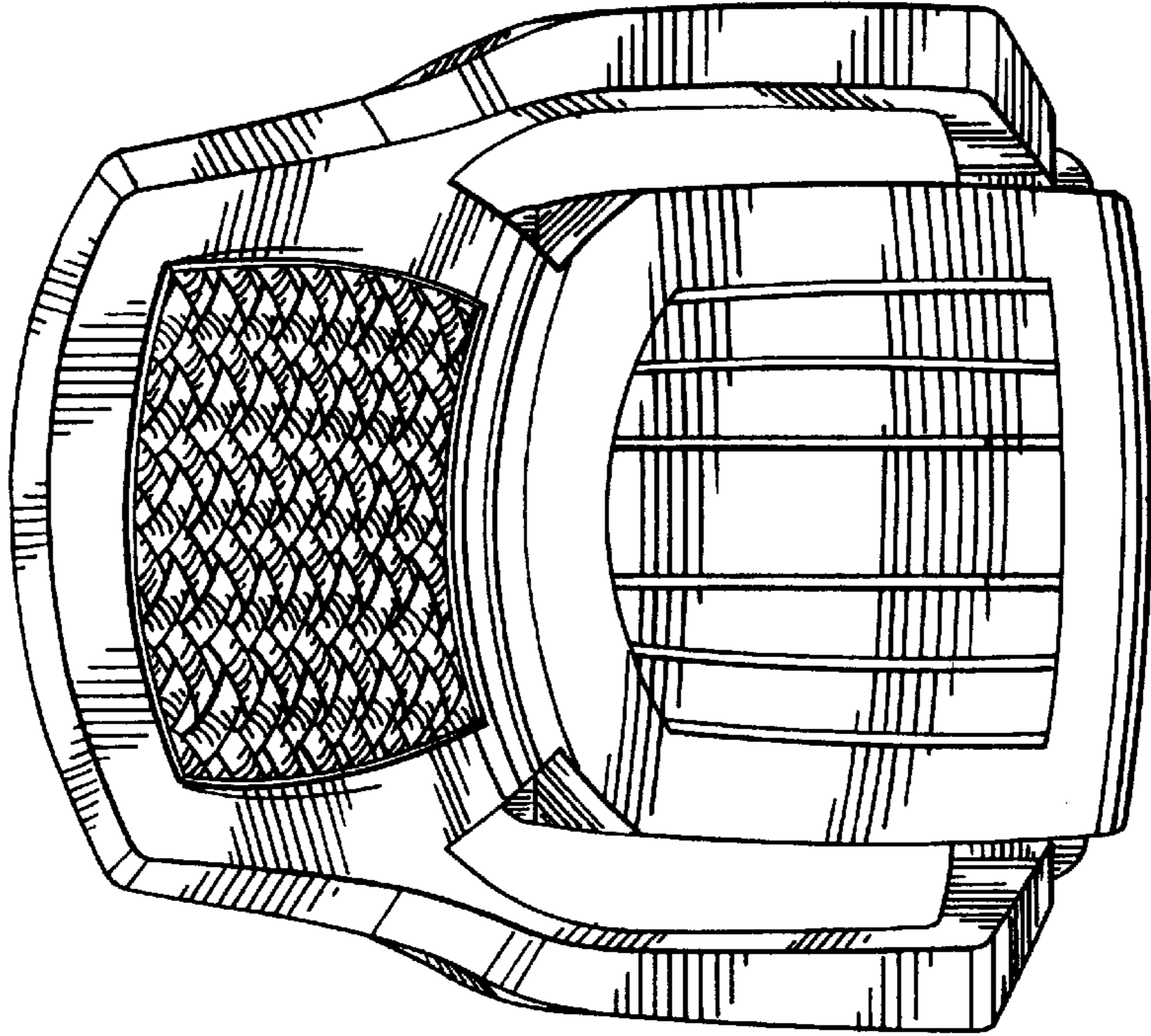


FIG. 5

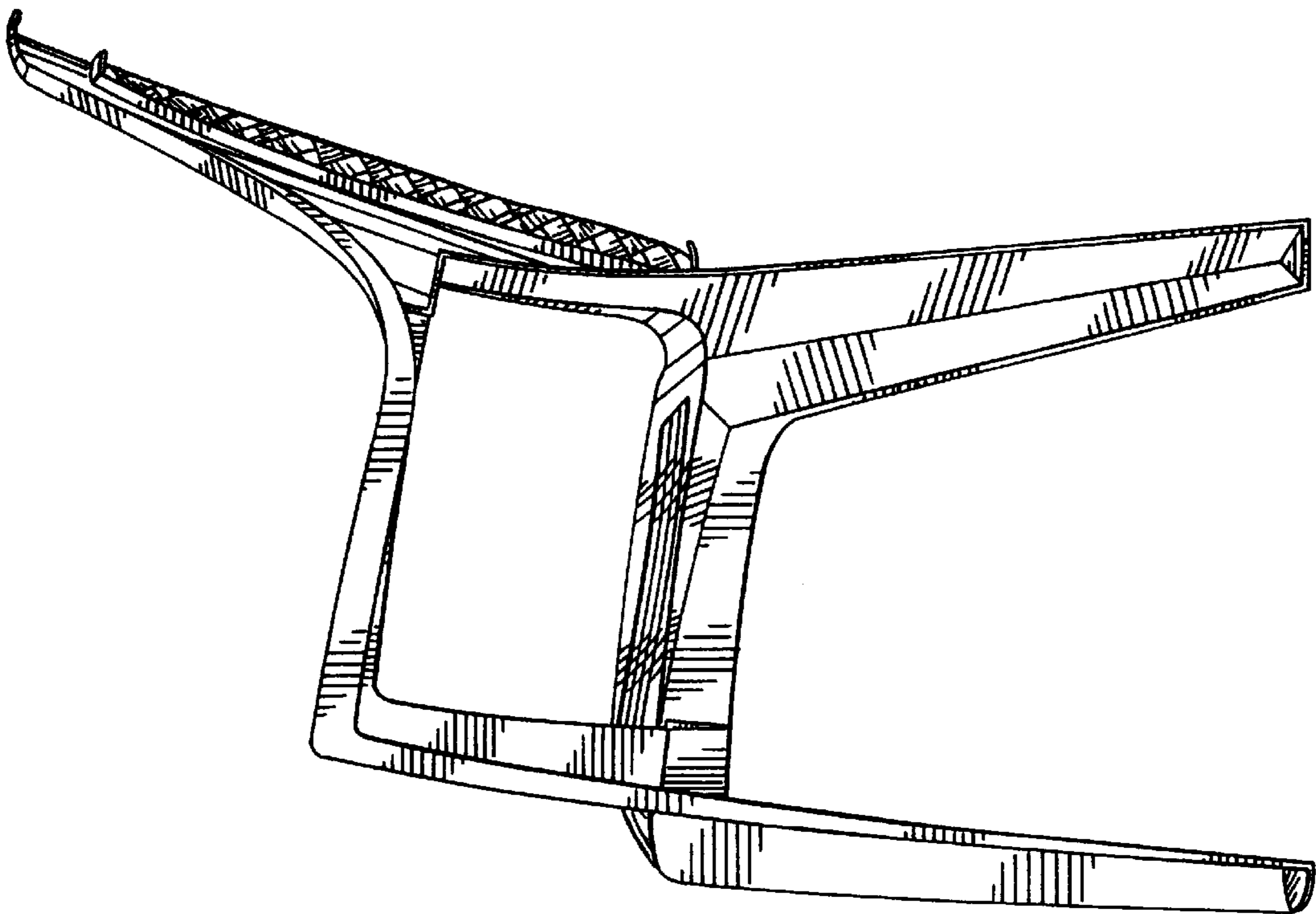


FIG. 4