



US00D419785S

United States Patent [19]
Conforti et al.

[11] **Patent Number: Des. 419,785**
[45] **Date of Patent: ** Feb. 1, 2000**

[54] **BATHTUB-BATHSEAT**

[75] Inventors: **Carl J. Conforti**, Tiverton, R.I.; **Scott A. Johnstone**, Pleasant Valley; **Glen Nielsen**, Kent, both of Conn.

[73] Assignee: **The First Years Inc.**, Mission Viejo, Calif.

[**] Term: **14 Years**

[21] Appl. No.: **29/091,091**

[22] Filed: **Jul. 22, 1998**

[51] **LOC (7) Cl.** **06-01**

[52] **U.S. Cl.** **D6/333**

[58] **Field of Search** D6/333, 334, 335, D6/336, 374, 500, 501, 502; D23/278, 303, 304; 4/572.1, 578.1, 579; 297/256.13, 467

[56] **References Cited**

U.S. PATENT DOCUMENTS

Re. 32,806	12/1988	Gurolnick	4/572.1
D. 241,250	8/1976	Fotre et al.	.
D. 245,861	9/1977	Elder	.
D. 271,990	12/1983	Lyne	4/572.1
D. 274,167	6/1984	Lyne	4/572.1
D. 288,955	3/1987	Greene	.
D. 289,319	4/1987	Kujawski et al.	D23/278
D. 289,465	4/1987	Wise	.
D. 299,741	2/1989	Thom	D23/278
D. 325,132	4/1992	Cone	.
334,674	1/1886	Neal	.
D. 350,597	9/1994	Wise	D23/278
D. 350,598	9/1994	Wise et al.	D23/278
D. 360,933	8/1995	Crossley et al.	D23/278
567,096	9/1896	Harvey et al.	.
1,134,364	4/1915	Adams	.
1,876,111	9/1932	Guelpen	.
2,286,784	6/1942	Benzick	.
2,324,421	7/1943	Quellette	.

(List continued on next page.)

FOREIGN PATENT DOCUMENTS

0009439 A1	4/1980	European Pat. Off.	.
2 306 853	11/1976	France	.
2 307 509	11/1976	France	.
2 347 010	11/1976	France	.
36381	4/1906	Germany	.
240882	11/1910	Germany	.
2651141 A1	5/1977	Germany	.
3445497 A1	6/1986	Germany	.
258398	9/1926	United Kingdom	.
1424093	2/1976	United Kingdom	.
2072003	9/1981	United Kingdom	.
WO 86/02050	4/1986	WIPO	.
WO 88/03790	6/1988	WIPO	.

Primary Examiner—James Gandy
Assistant Examiner—Mimosa De
Attorney, Agent, or Firm—Fish & Richardson P.C.

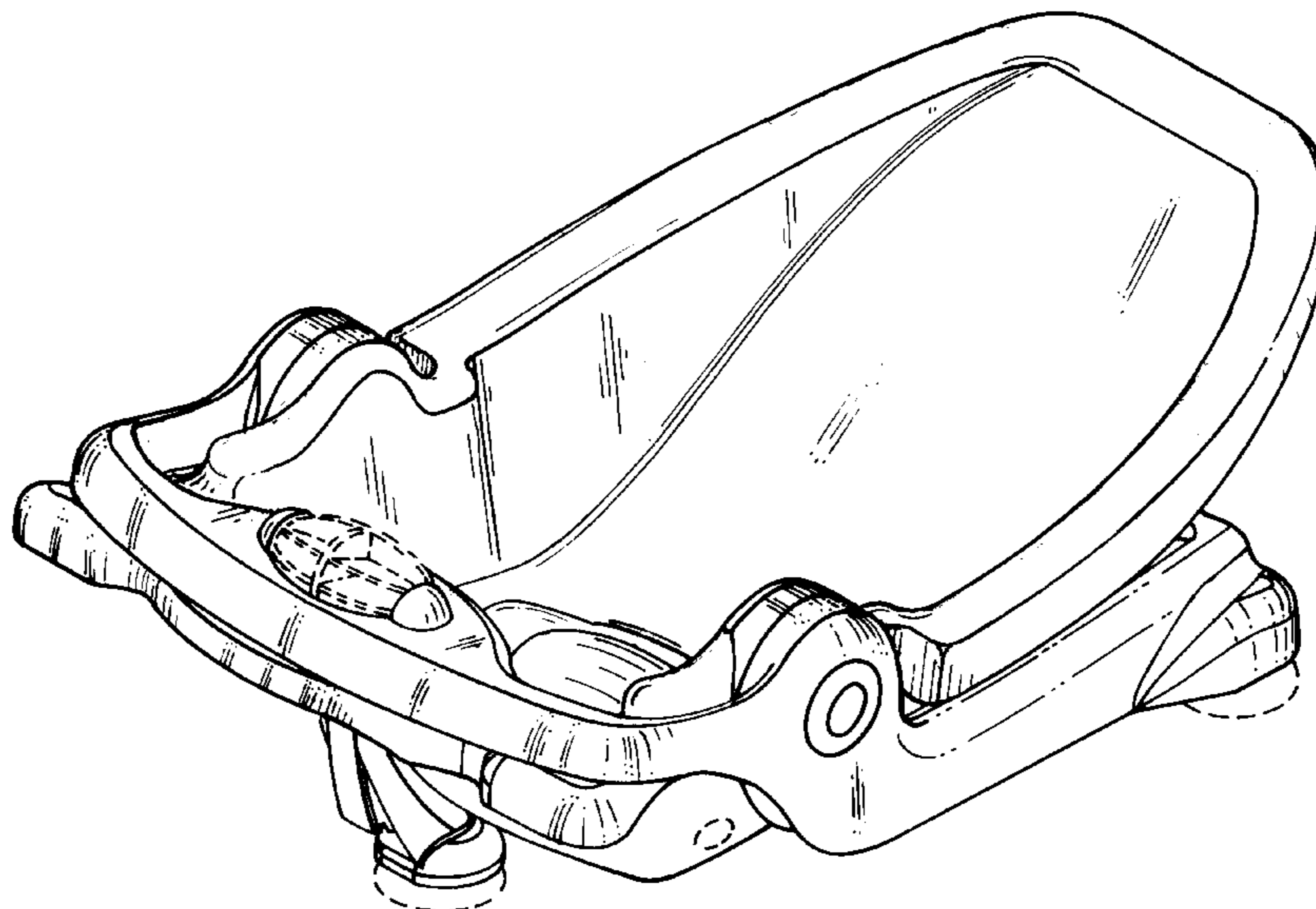
[57] **CLAIM**

The ornamental design for a bathtub-bathseat, as shown and described.

DESCRIPTION

FIG. 1 is a perspective view of a bathtub-bathseat, in a seating position, embodying the new design.
FIG. 2 is a perspective view of the bathtub-bathseat, shown in FIG. 1, in a reclining position.
FIG. 3 is a plan view of the left side of the bathtub-bathseat shown in FIG. 2.
FIG. 4 is a plan view of the right side of the bathtub-bathseat shown in FIG. 2.
FIG. 5 is a front plan view of the bathtub-bathseat shown in FIG. 2.
FIG. 6 is a rear plan view of the bathtub-bathseat shown in FIG. 2.
FIG. 7 is a top plan view of the bathtub-bathseat shown in FIG. 2; and,
FIG. 8 is a bottom plan view of the bathtub-bathseat shown in FIG. 2.
The broken lines in the figures illustrate environmental subject matter and form no part of the claimed design.

1 Claim, 7 Drawing Sheets



U.S. PATENT DOCUMENTS

2,633,895	4/1953	Battles et al. .	4,436,341	3/1984	Converse .
2,664,140	12/1953	Kindelberger .	4,500,133	2/1985	Nakao et al. .
2,676,336	4/1954	Gilmer .	4,500,135	2/1985	Kincheloe .
2,720,911	10/1955	Lantz .	4,501,032	2/1985	Heath et al. .
2,777,502	1/1957	Travis .	4,615,562	10/1986	Bell et al. .
2,845,234	7/1958	Cushman et al. .	4,634,175	1/1987	Wise .
2,850,743	9/1958	White .	4,709,960	12/1987	Launes .
2,957,184	11/1960	Smith D23/278	4,743,063	5/1988	Foster, Jr. .
2,974,322	3/1961	Norris .	4,754,999	7/1988	Kain .
3,031,229	4/1962	Symbaluk .	4,762,364	8/1988	Young .
3,054,637	9/1962	Pambello .	4,986,599	1/1991	Wise .
3,159,850	12/1964	Aldrich et al. .	4,998,307	3/1991	Cone .
3,203,731	8/1965	Krueger .	5,010,606	4/1991	Bernstein et al. .
3,272,556	9/1966	Rocker .	5,011,221	4/1991	Wise .
3,290,092	12/1966	Howard .	5,092,001	3/1992	Rose et al. 4/572.1
3,366,294	1/1968	Stephenson .	5,092,004	3/1992	Cone et al. .
3,385,633	5/1968	Aizley .	5,115,523	5/1992	Cone .
3,463,504	8/1969	Petry et al. .	5,143,419	9/1992	Tepper et al. .
3,528,703	9/1970	Ohta .	5,244,292	9/1993	Wise .
3,545,016	12/1970	Schorken .	5,276,926	1/1994	Lopez .
3,579,673	5/1971	Hirschey .	5,317,765	6/1994	Knoedler et al. .
3,833,946	9/1974	Von Wimmersperg .	5,321,859	6/1994	Buckshaw et al. .
3,976,328	8/1976	Stahel .	5,361,430	11/1994	Wise 4/572.1
3,994,513	11/1976	Courtis et al. .	5,425,149	6/1995	Crossley et al. .
3,995,331	12/1976	Fotre et al. .	5,464,381	11/1995	Wilson .
4,037,591	7/1977	Sarno .	5,533,786	7/1996	Cone, II .
4,186,961	2/1980	Farrell, Jr. et al. .	5,542,587	8/1996	Broz et al. .
4,231,612	11/1980	Meeker .	5,588,158	12/1996	Poulson et al. .
4,371,206	2/1983	Johnson, Jr. .	5,588,159	12/1996	Poulson et al. 4/572.1
4,376,551	3/1983	Cone .	5,593,207	1/1997	Turner .
			5,687,433	11/1997	Garner et al. 4/572.1

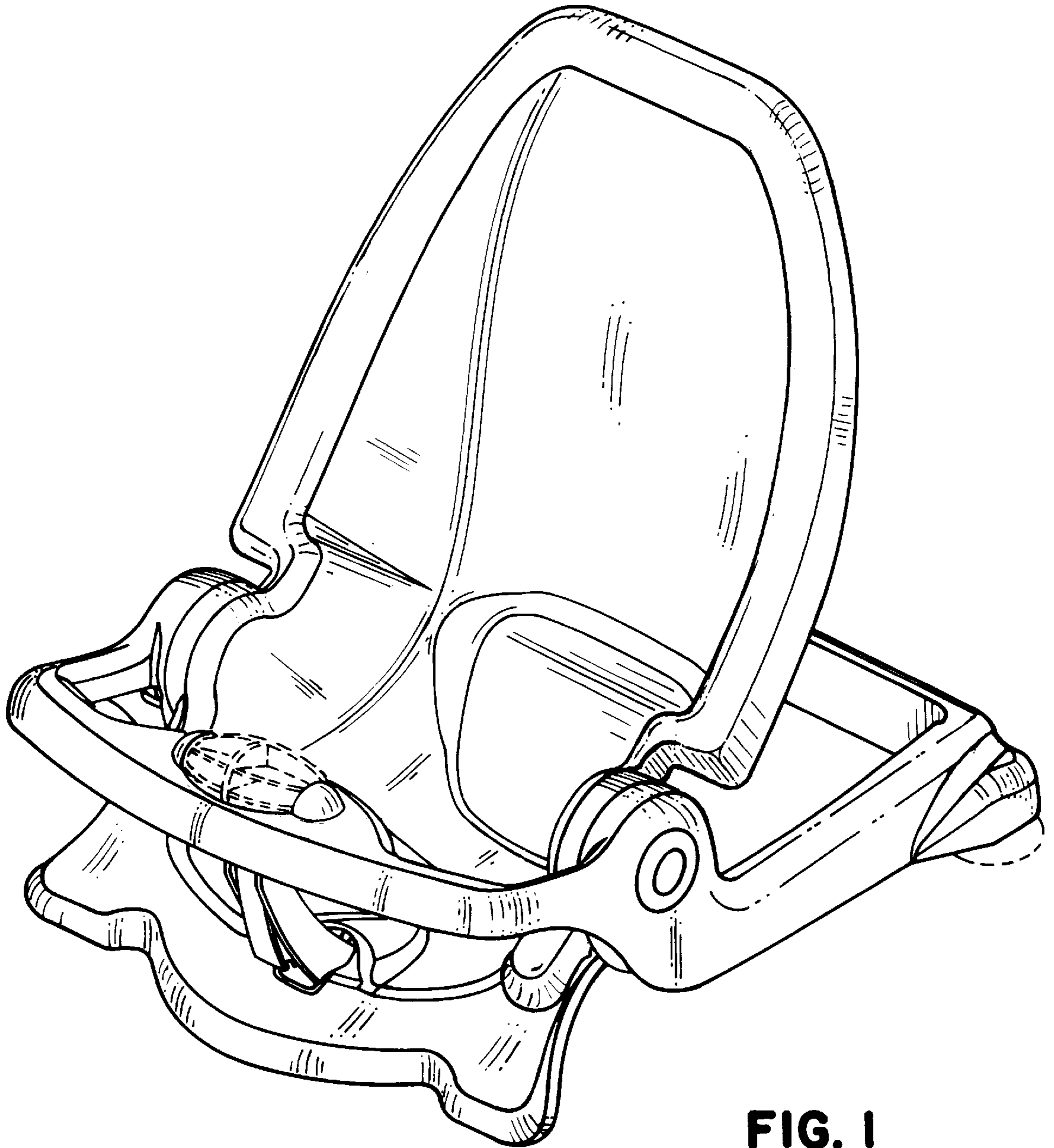


FIG. 1

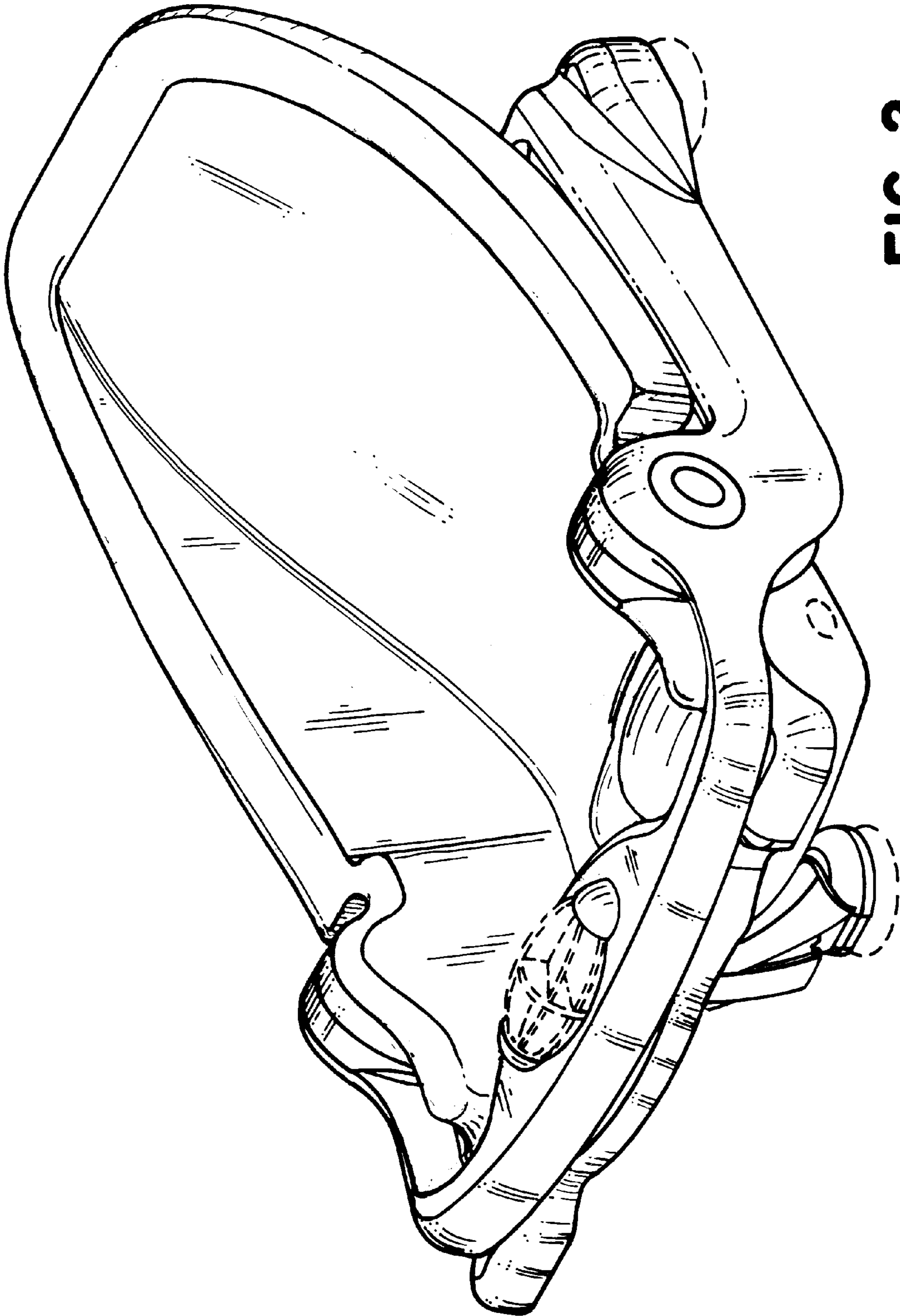


FIG. 2

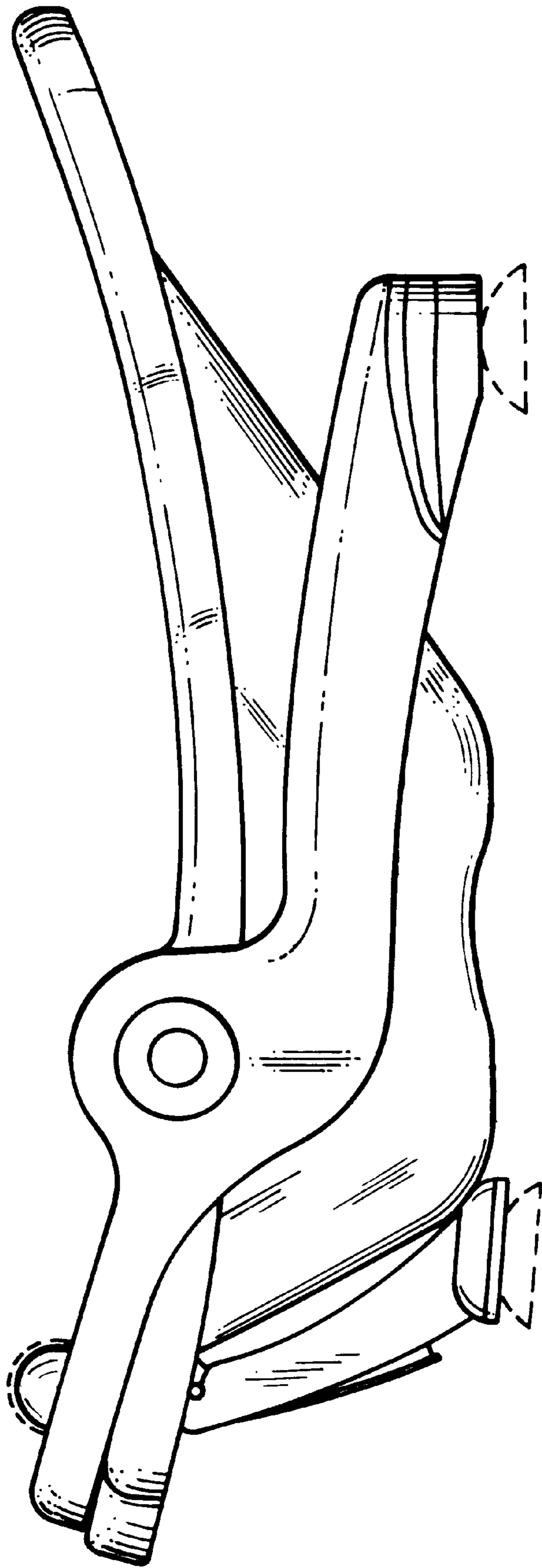


FIG. 3

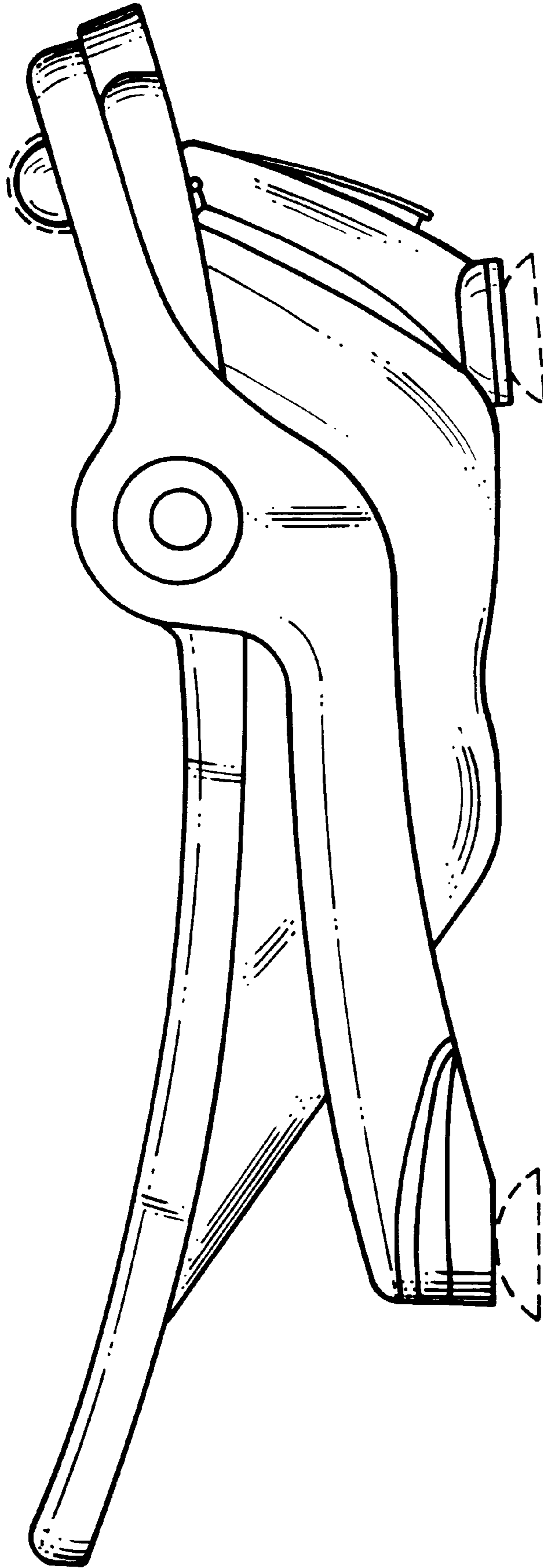


FIG. 4

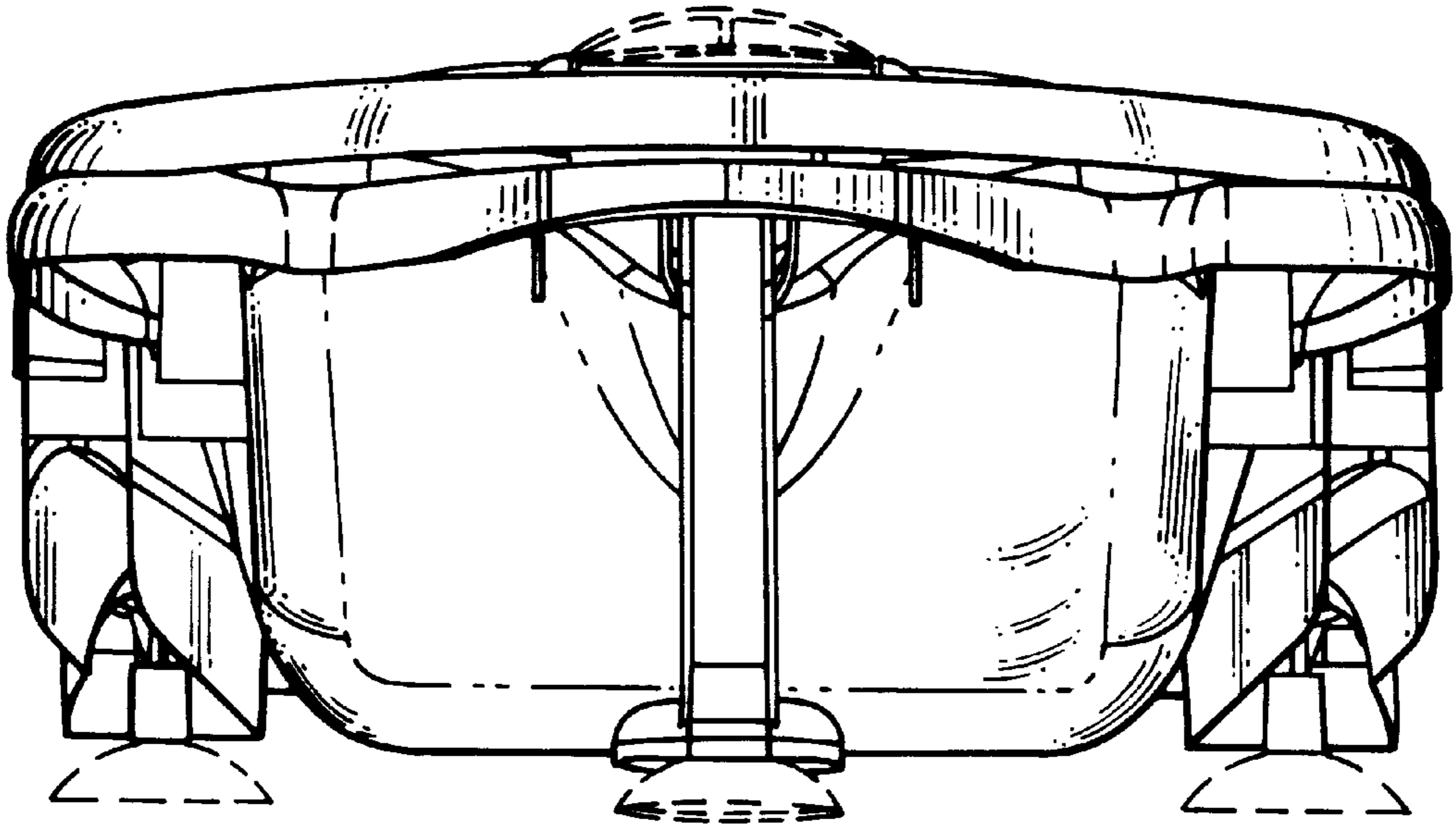


FIG. 5

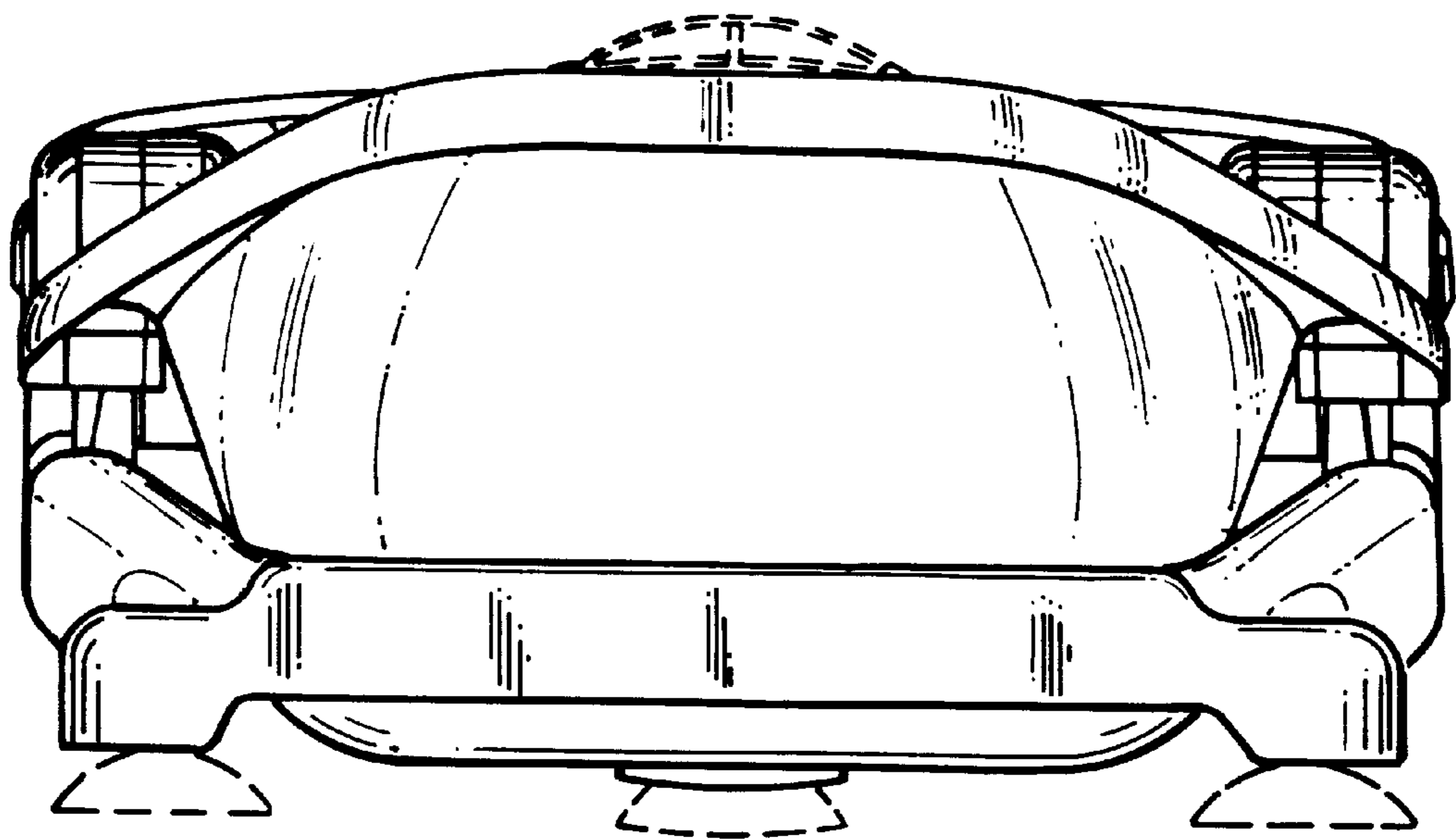


FIG. 6

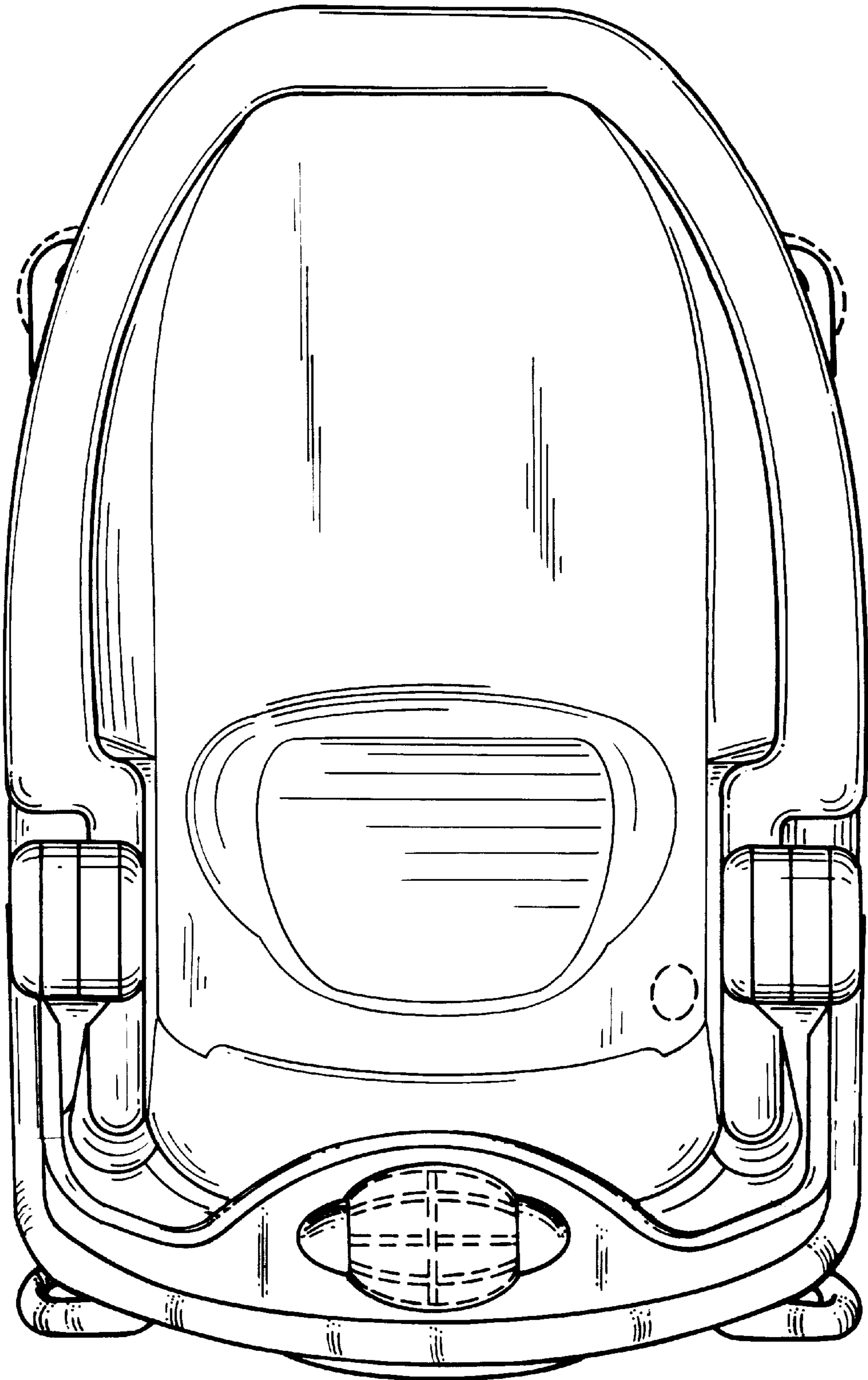


FIG. 7

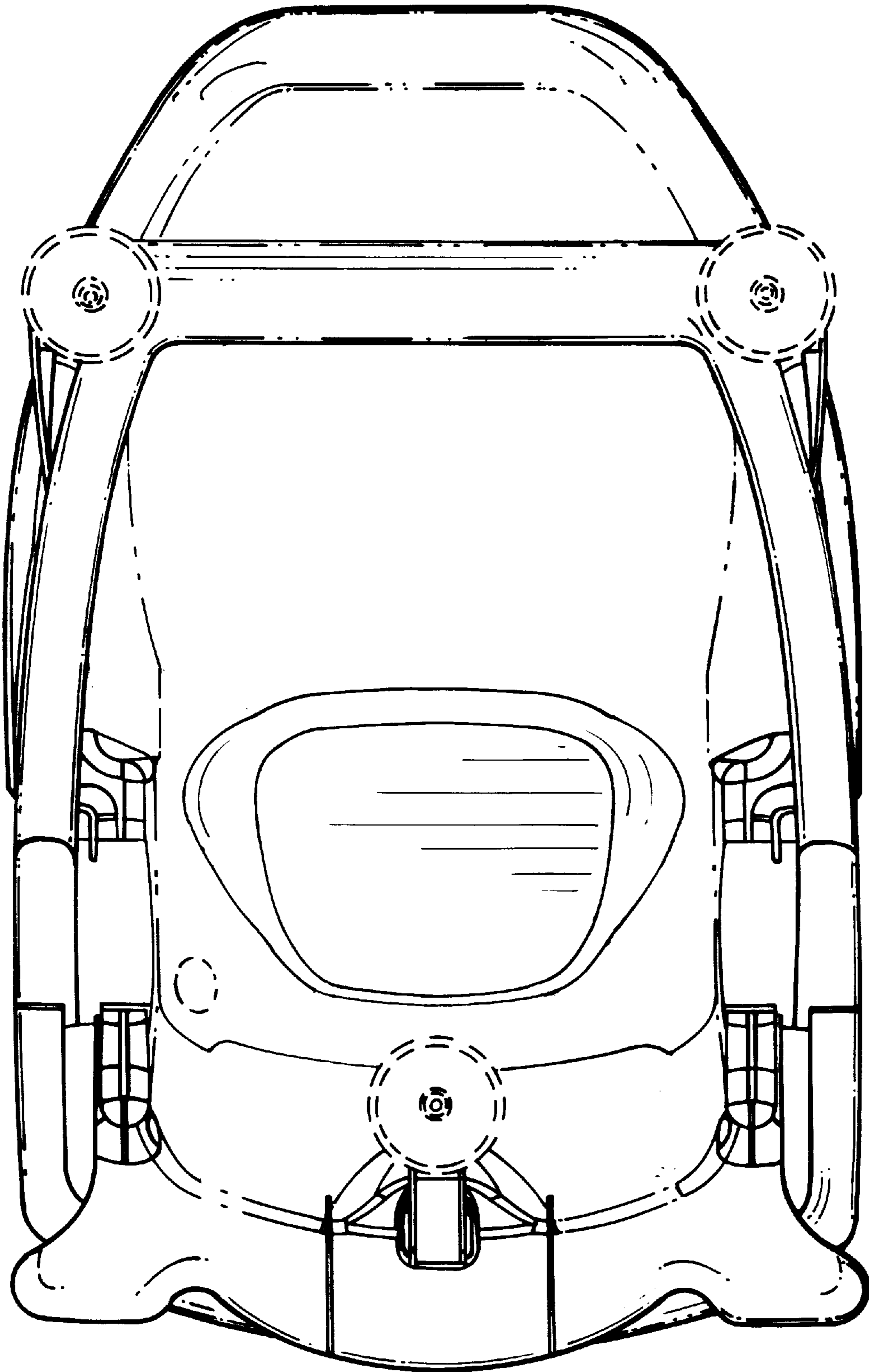


FIG. 8