



US00D419776S

# United States Patent [19]

Frost et al.

[11] Patent Number: Des. 419,776

[45] Date of Patent: \*\* Feb. 1, 2000

[54] LIQUID DISPENSING BRUSH

[75] Inventors: **John Steven Frost**, Agoura; **Nguyen Thai Dang**, Torrance, both of Calif.

[73] Assignee: **PRC-DeSoto International, Inc.**, Burbank, Calif.

[\*\*] Term: **14 Years**

4,685,820	8/1987	Kremer et al. ....	401/260
4,710,048	12/1987	Vartoughian .....	401/269
4,784,506	11/1988	Koreska et al. ....	401/132
4,792,252	12/1988	Kremer et al. ....	401/206
4,848,947	7/1989	Kremer et al. ....	401/206
4,927,012	5/1990	Rowe .....	206/219
4,993,437	2/1991	Kimura et al. ....	401/273 X
5,069,773	12/1991	Frangioni .....	204/299

[21] Appl. No.: **29/100,611**

[22] Filed: **Feb. 16, 1999**

### FOREIGN PATENT DOCUMENTS

170721	5/1906	Germany .....	401/273
441654	3/1927	Germany .....	401/41

### Related U.S. Application Data

[60] Division of application No. 29/061,707, Oct. 29, 1996, Pat. No. Des. 408,148, which is a continuation-in-part of application No. 08/506,383, Jul. 24, 1995, Pat. No. 5,568,988.

[51] LOC (7) Cl. .... **04-04**

[52] U.S. Cl. .... **D4/114; D4/135**

[58] Field of Search ..... D4/114, 116, 127, D4/132, 135, 138; 15/143.1, 159.1, 160, 186, 187, 191.1; 404/40-41, 132, 133, 192, 273, 274, 277

### OTHER PUBLICATIONS

“Two-Part Aerosol Dispenser Employing Puncturable Membranes,” David L. Miskell, Copyright 1994.

“Two-Part Aerosol Dispenser Employing a Fusible Plug,” David L. Miskell, ©1994.

*Primary Examiner*—Alan P. Douglas  
*Assistant Examiner*—Lavone D. Tabor  
*Attorney, Agent, or Firm*—Gifford, Krass, Groh, Sprinkle, Anderson & Citkowski, P.C.

### References Cited

#### U.S. PATENT DOCUMENTS

519,223	5/1894	Bailey .....	401/277
1,413,311	4/1922	Auld .....	401/277
1,589,949	6/1926	Dowd .....	401/277
1,607,768	11/1926	Meusel .....	401/41
2,686,925	8/1954	Hempel .....	401/273
3,355,238	11/1967	Schwartzman .....	401/41
3,519,364	7/1970	Truhan .....	401/177
3,759,259	9/1973	Truhan .....	604/3
3,964,643	6/1976	Morane et al. ....	222/145
4,387,809	6/1983	Botzler .....	206/526
4,632,244	12/1986	Landau .....	206/219

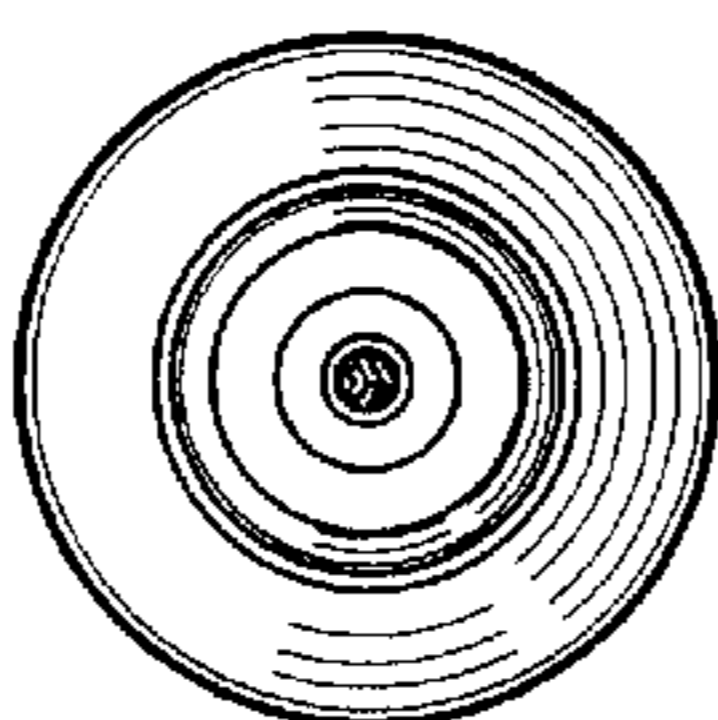
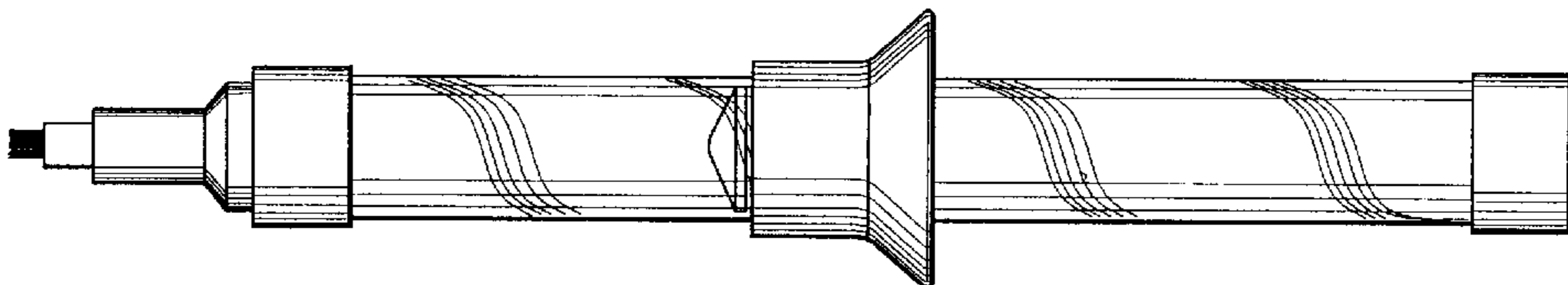
### [57] CLAIM

The ornamental design for a liquid dispensing brush, as shown and described.

### DESCRIPTION

FIG. 1 is a top plan view of a liquid dispensing brush showing our new design, the bottom, front, and rear views being identical thereto; and, FIG. 2 is a left end view of the present invention. The right end of the brush is not shown in the drawing nor described in the specification and forms no part of the claimed design.

1 Claim, 1 Drawing Sheet



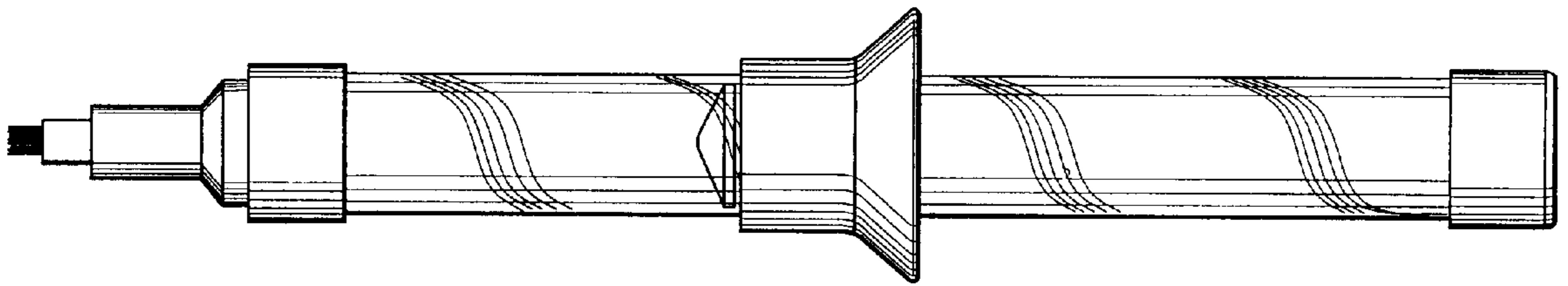


Fig- 1

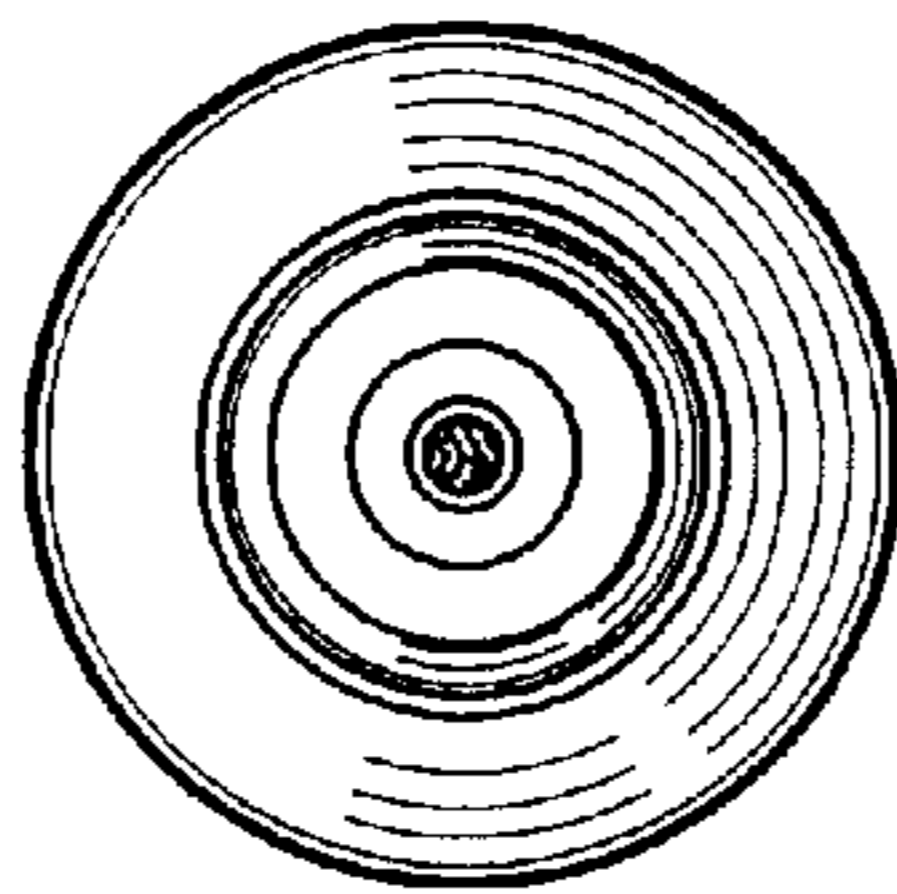


Fig- 2