



US00D419772S

United States Patent [19]
Williams

[11] **Patent Number: Des. 419,772**

[45] **Date of Patent: ** Feb. 1, 2000**

[54] **ORGANIZER TRAY**

[76] Inventor: **Robert Williams**, P.O. Box 3483,
Palmer, Ak. 99645

[**] Term: **14 Years**

[21] Appl. No.: **29/100,839**

[22] Filed: **Feb. 17, 1999**

[51] **LOC (7) Cl. 03-01**

[52] **U.S. Cl. D3/313; D3/201; D3/304;
D3/307**

[58] **Field of Search D3/201, 304, 313,
D3/307; 206/558, 562, 564; 220/507**

[56] **References Cited**

U.S. PATENT DOCUMENTS

D. 300,785	4/1989	Sorge et al.	D3/313
357,006	2/1887	Hoffman	206/558
962,981	6/1910	Rueckert	206/562
1,017,812	2/1912	Schmelzer	206/558
2,501,379	3/1950	Cranston	206/558
4,648,524	3/1987	Ackerman	220/507
4,872,723	10/1989	Kopf	206/564

Primary Examiner—Louis S. Zarfaz
Assistant Examiner—Monica A. Weingart
Attorney, Agent, or Firm—Michael Tavella

[57] **CLAIM**

The ornamental design for an organizer tray, as shown and described.

DESCRIPTION

FIG. 1 is a perspective view of the first embodiment of my organizer tray.

FIG. 2 is a top plan view thereof.

FIG. 3 is a left side elevation view thereof.

FIG. 4 is a front elevation view thereof.

FIG. 5 is a rear elevation view thereof.

FIG. 6 is a bottom plan view thereof.

FIG. 7 is a right side elevation view thereof.

FIG. 8 is a perspective view of a second embodiment of my organizer tray.

FIG. 9 is a top plan view thereof.

FIG. 10 is a left side elevation view thereof.

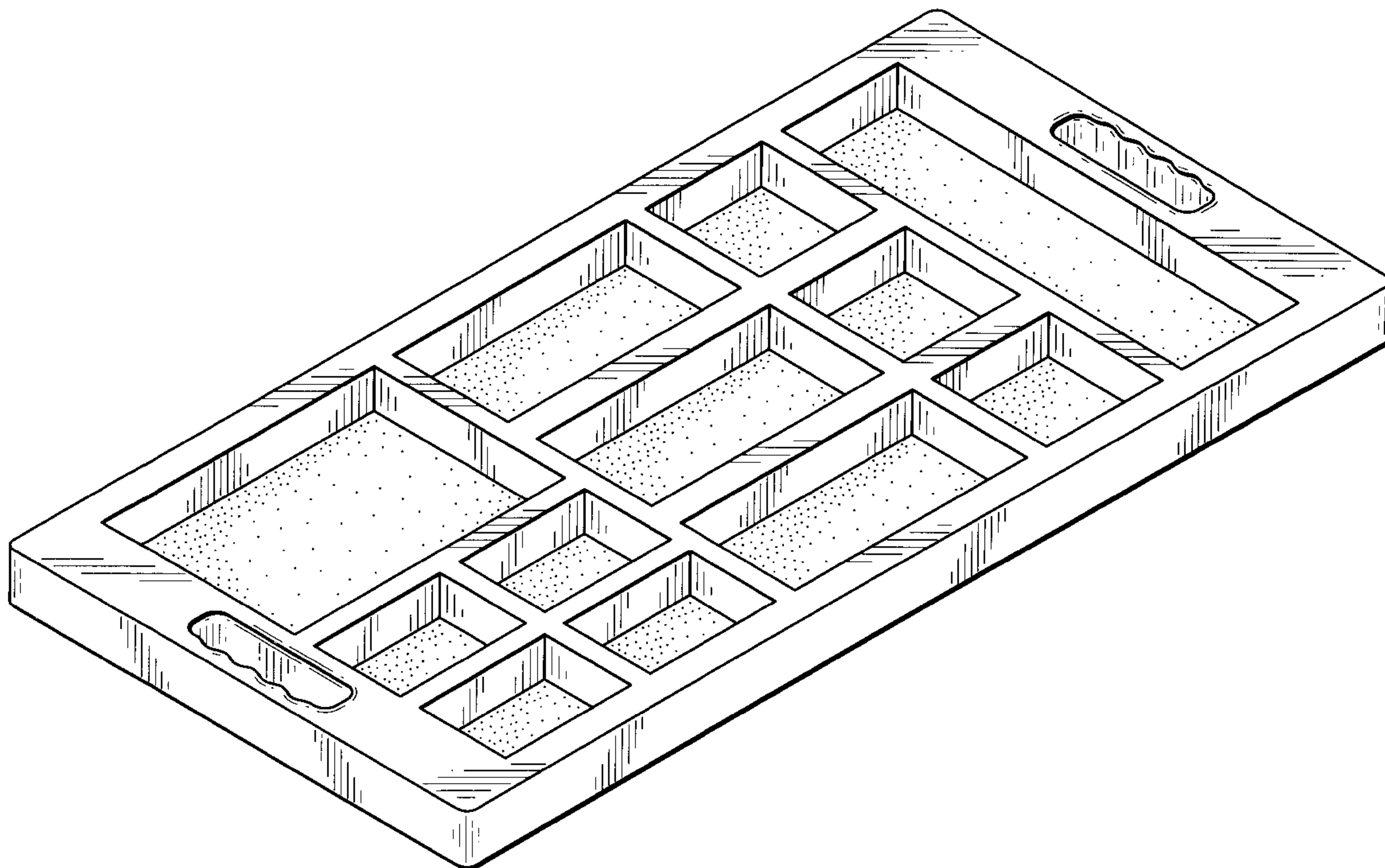
FIG. 11 is a front elevation view thereof.

FIG. 12 is a rear elevation view thereof.

FIG. 13 is a bottom plan view thereof; and,

FIG. 14 is a right side elevation view thereof.

1 Claim, 6 Drawing Sheets



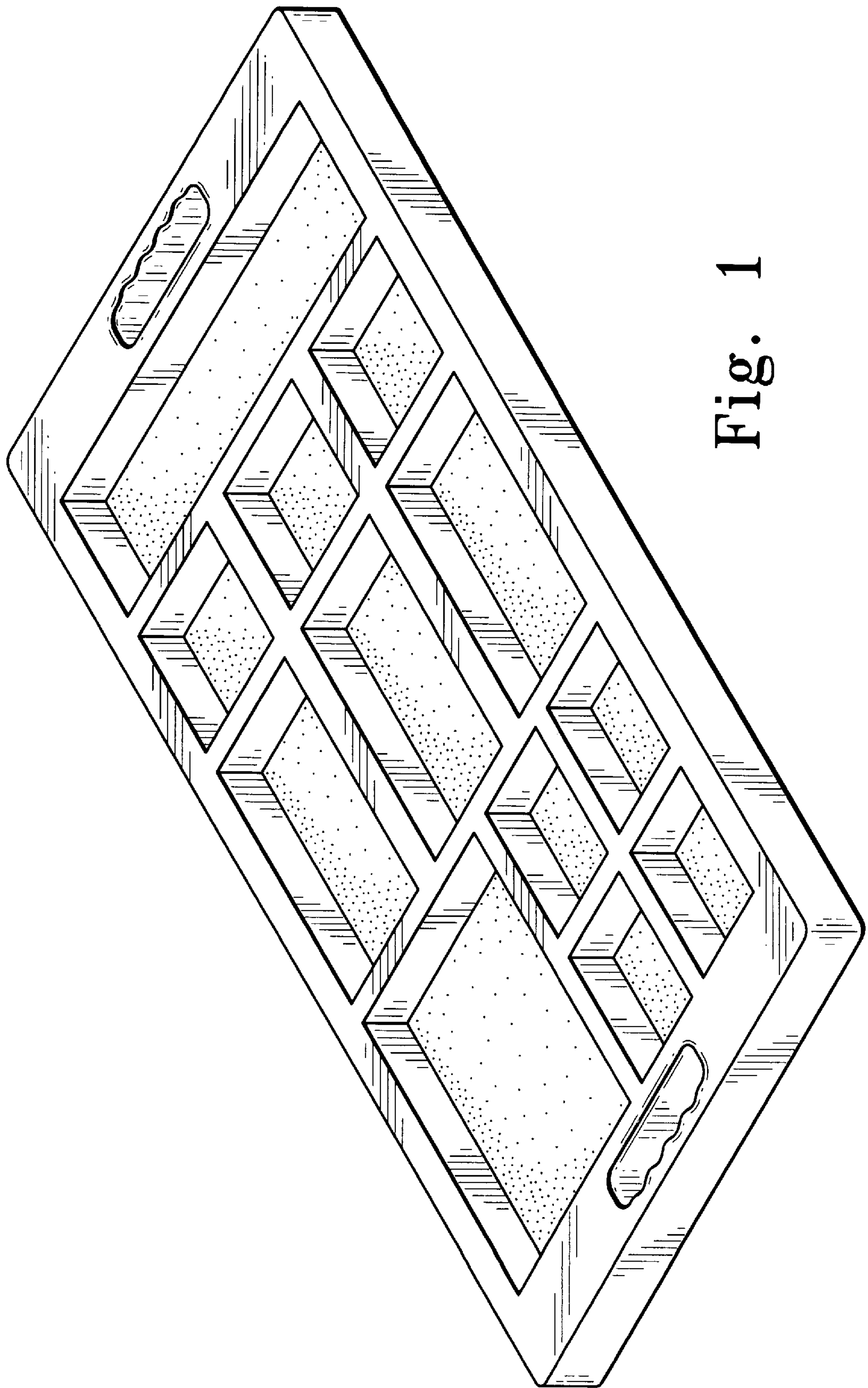


Fig. 1

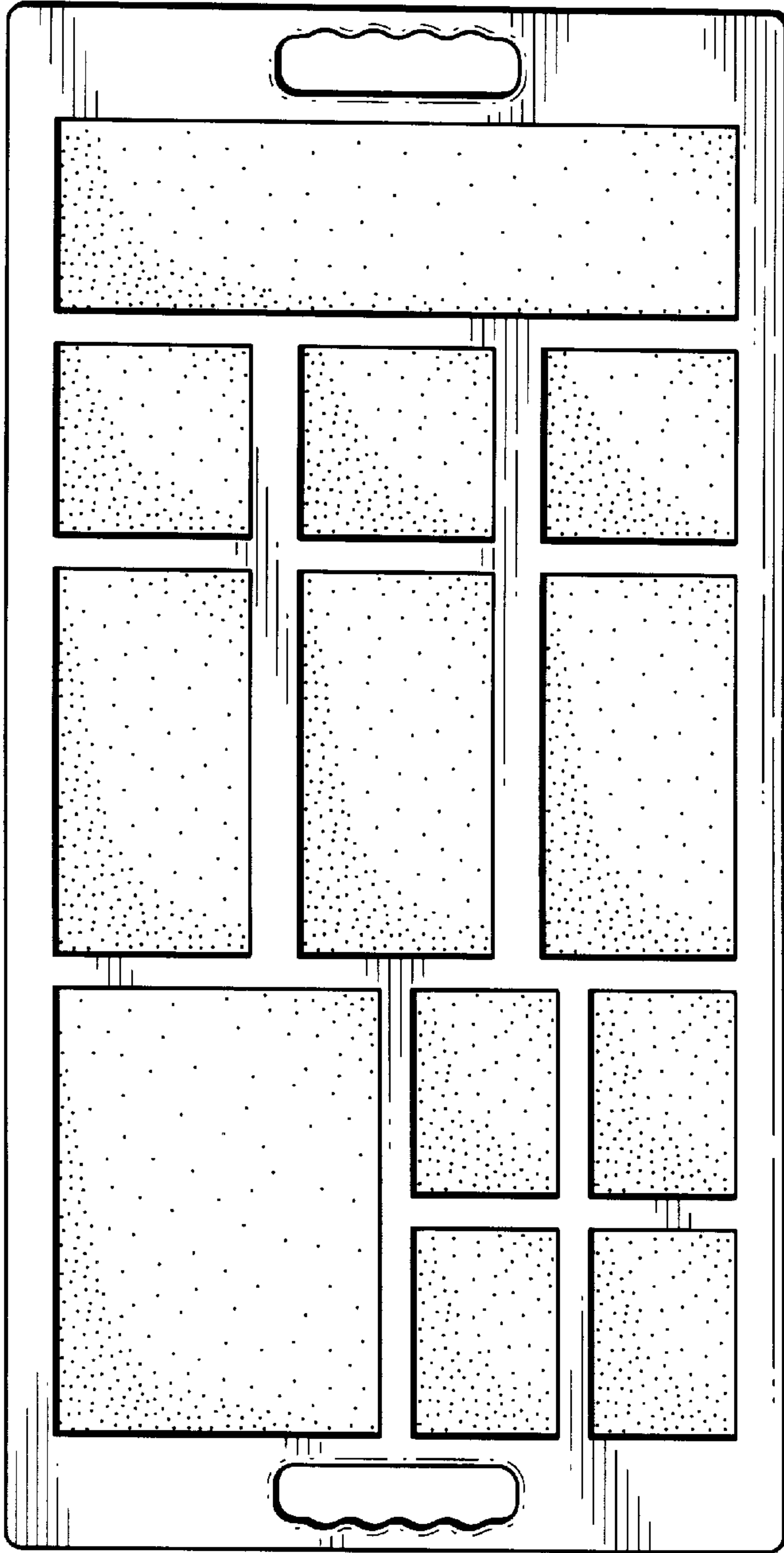


Fig. 2



Fig. 3



Fig. 4

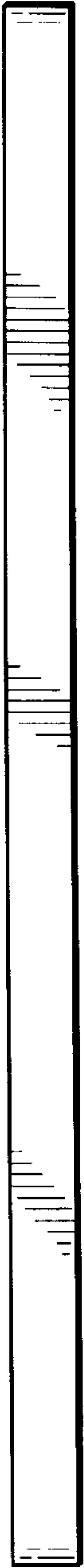


Fig. 5



Fig. 7

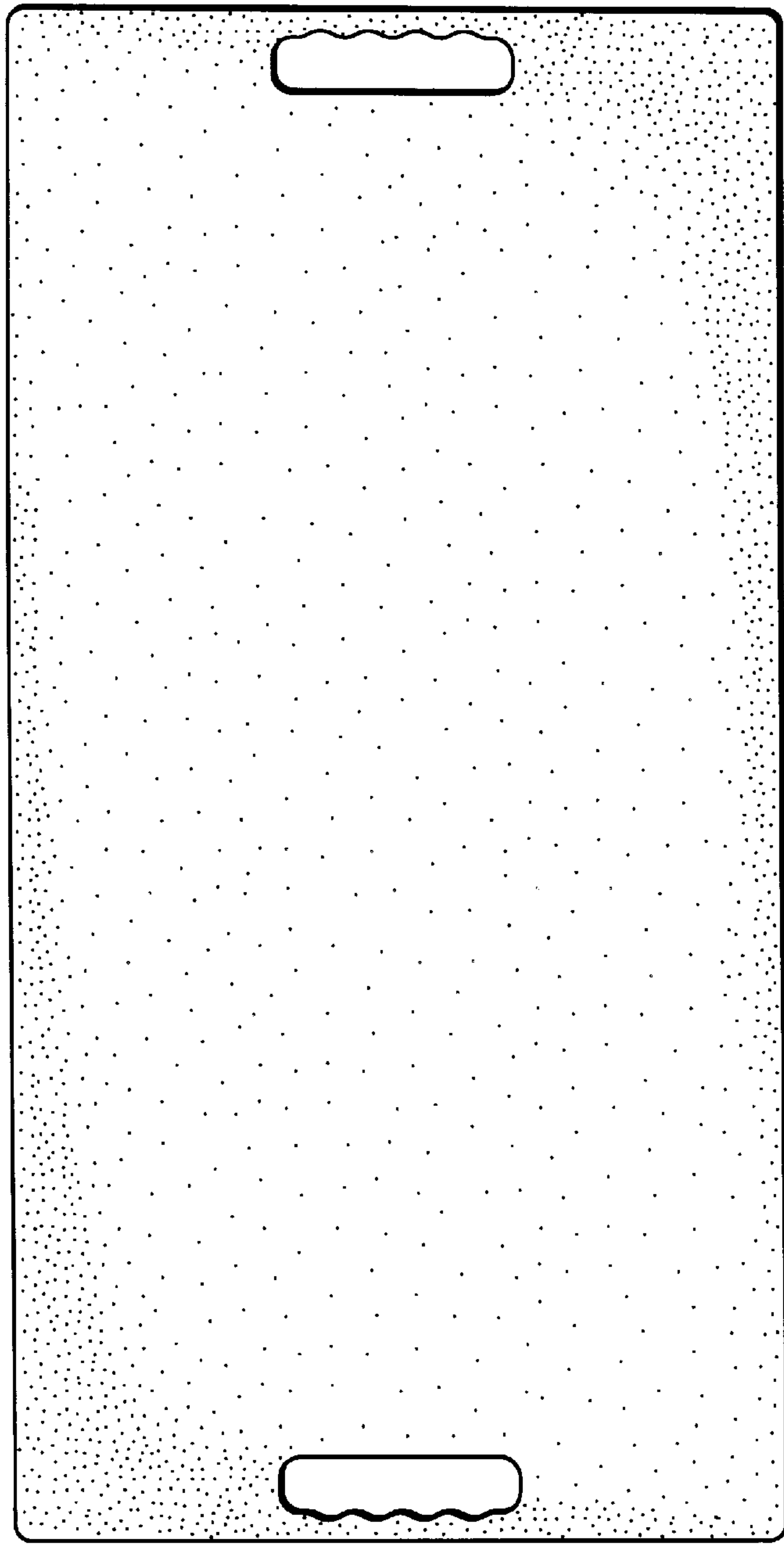


Fig. 6

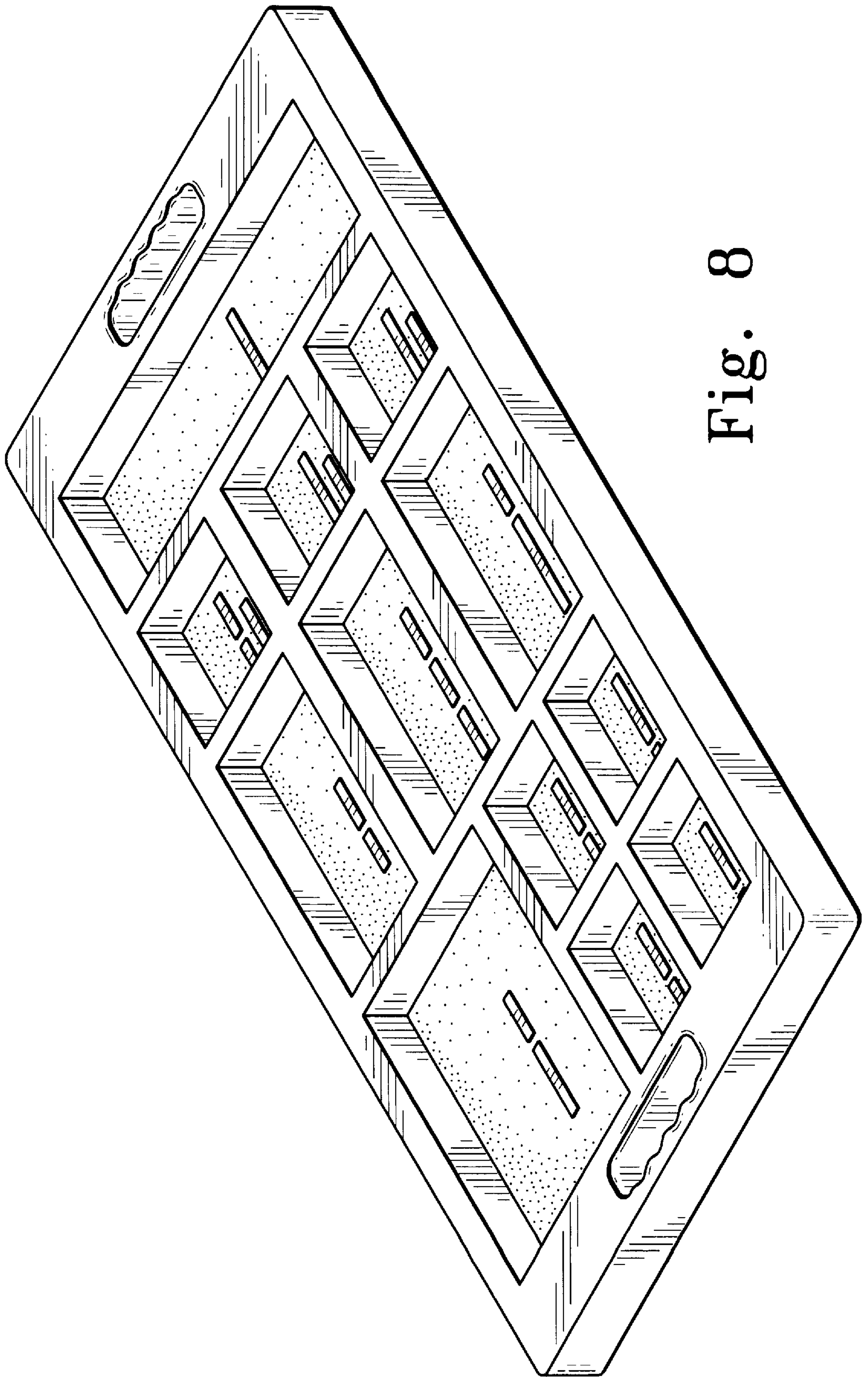


Fig. 8

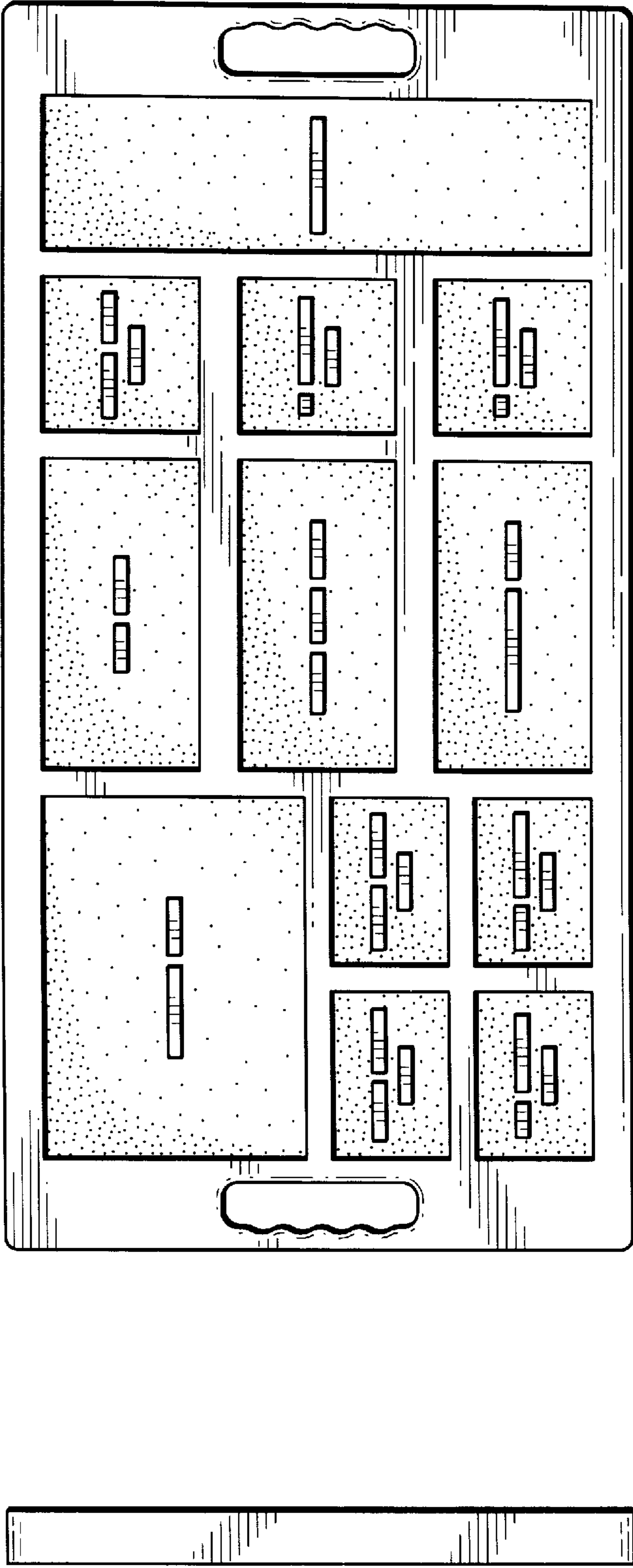


Fig. 10

Fig. 9



Fig. 11

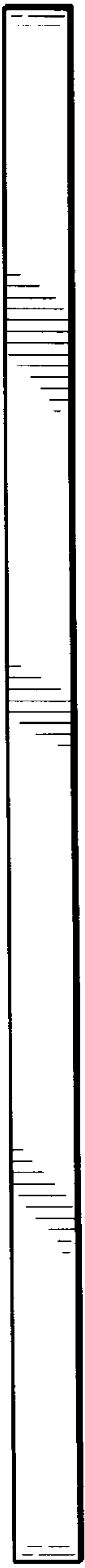


Fig. 12

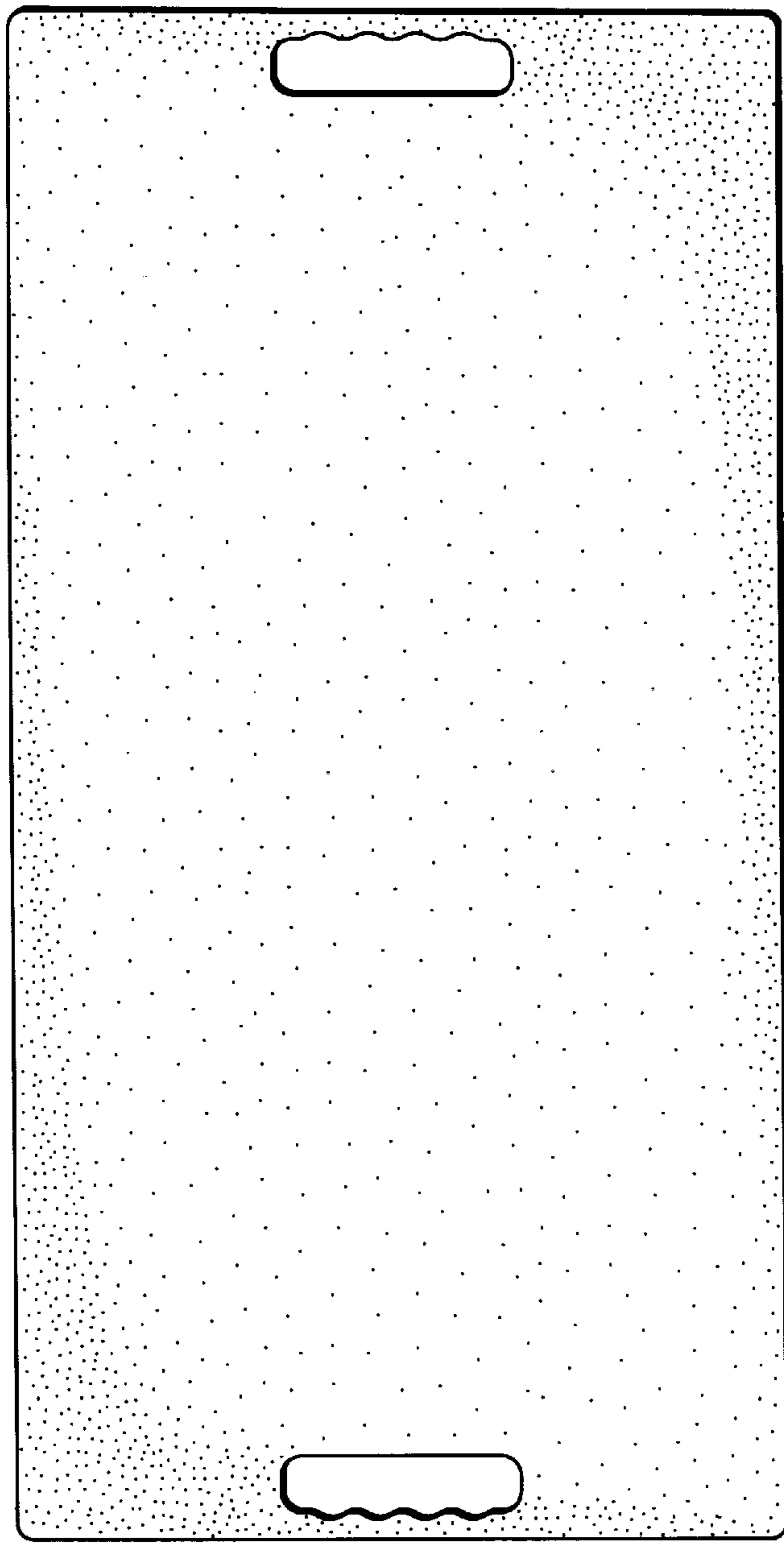


Fig. 13



Fig. 14