



US00D419771S

United States Patent [19]
Chen

[11] **Patent Number: Des. 419,771**
[45] **Date of Patent: ** Feb. 1, 2000**

[54] **BASKET (II)**
[76] **Inventor: Kuo-Chin Chen**, 2-1 Fl., No. 18, Alley
47, Lane 208, Jui An Street, TaAn
District, Taipei, Taiwan

1,308,244 7/1919 Johnson 220/586
2,554,232 5/1951 Young, Jr. 220/586
3,091,355 5/1963 Mutto D3/306 X

[**] **Term: 14 Years**

Primary Examiner—Louis S. Zarfes
Assistant Examiner—Monica A. Weingart
Attorney, Agent, or Firm—Pro-Techtor International
Services

[21] **Appl. No.: 29/093,990**

[57] **CLAIM**

[22] **Filed: Sep. 23, 1998**

The ornamental design for a basket (II), as shown and
described.

[51] **LOC (7) Cl. 03-01**

[52] **U.S. Cl. D3/306; D3/201; D3/304**

[58] **Field of Search** D3/301, 304, 306,
D3/307, 308, 309, 314; D11/143, 144, 145,
155; 220/485, 586

DESCRIPTION

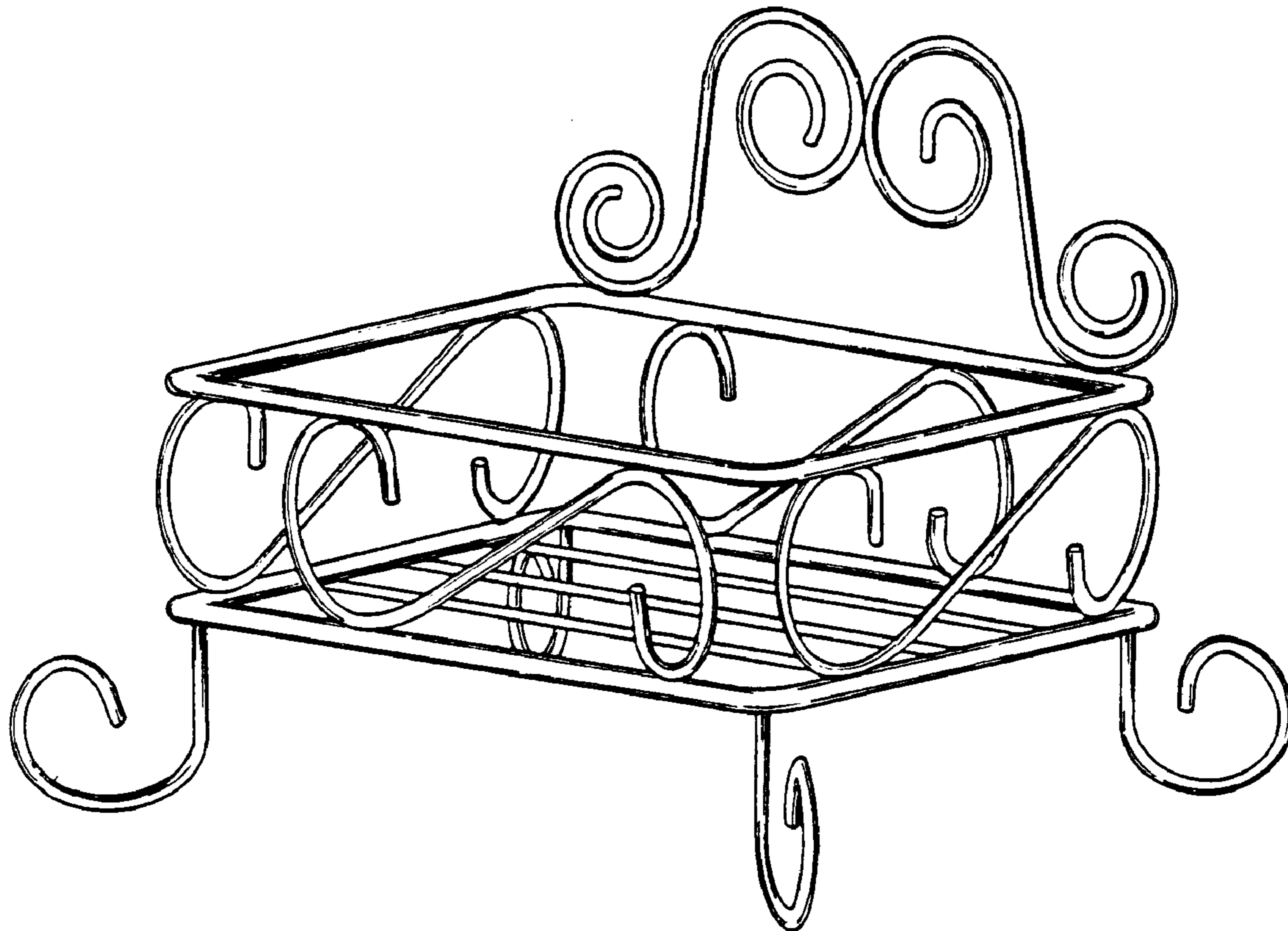
FIG. 1 is a front elevation of a Basket (II) showing my
design (a rear elevation thereof is in a mirror-image rela-
tionship with the front elevation);
FIG. 2 is a left side elevation thereof;
FIG. 3 is a right side elevation thereof;
FIG. 4 is a top plan view thereof;
FIG. 5 is a bottom plan view thereof; and,
FIG. 6 is a perspective view thereof.

[56] **References Cited**

U.S. PATENT DOCUMENTS

D. 114,781 5/1939 Bittel D11/155
D. 158,564 5/1950 Engstrom D3/306
D. 382,710 8/1997 Henderson D3/306 X
518,476 4/1894 Weston 220/586

1 Claim, 3 Drawing Sheets



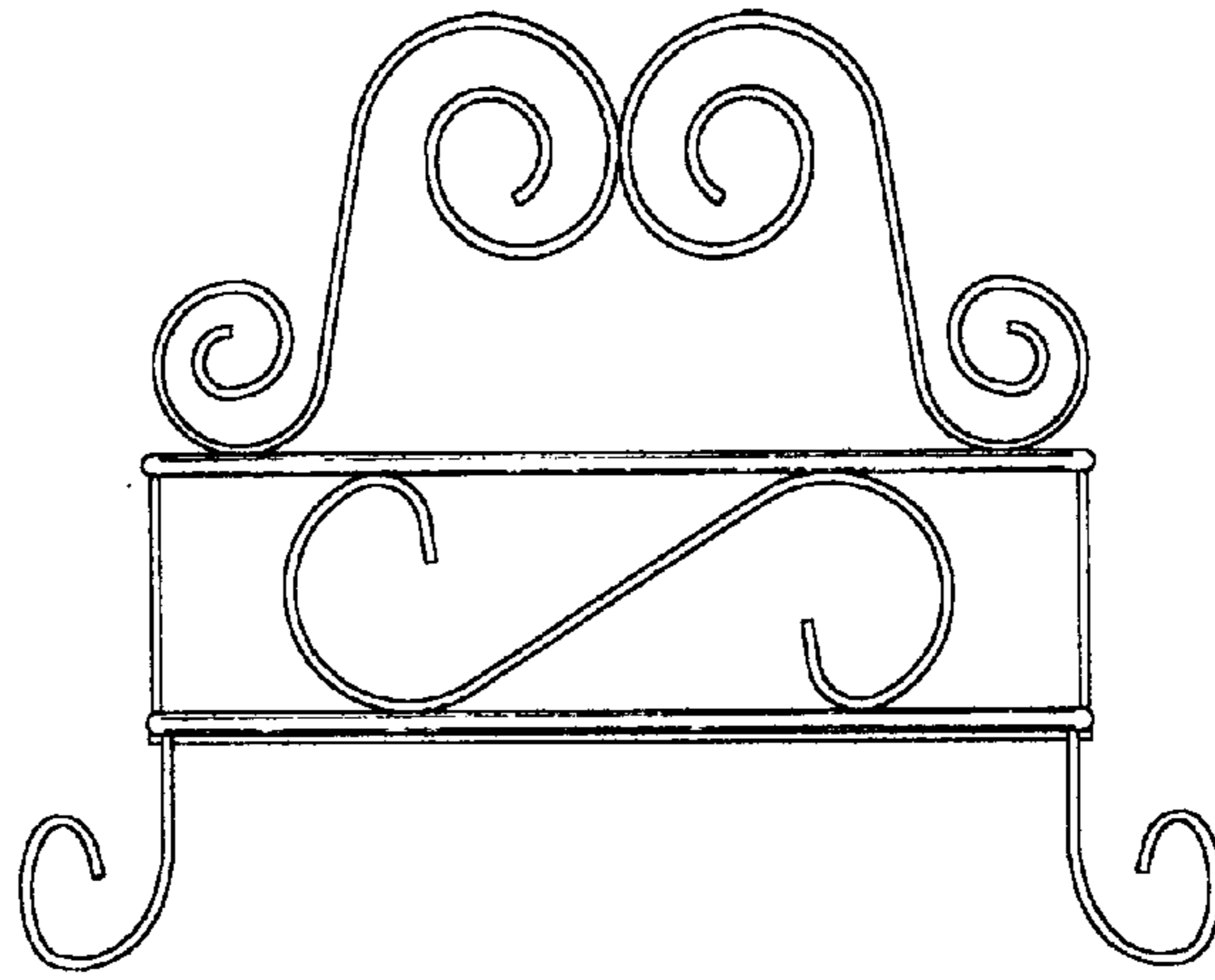


FIG. 1

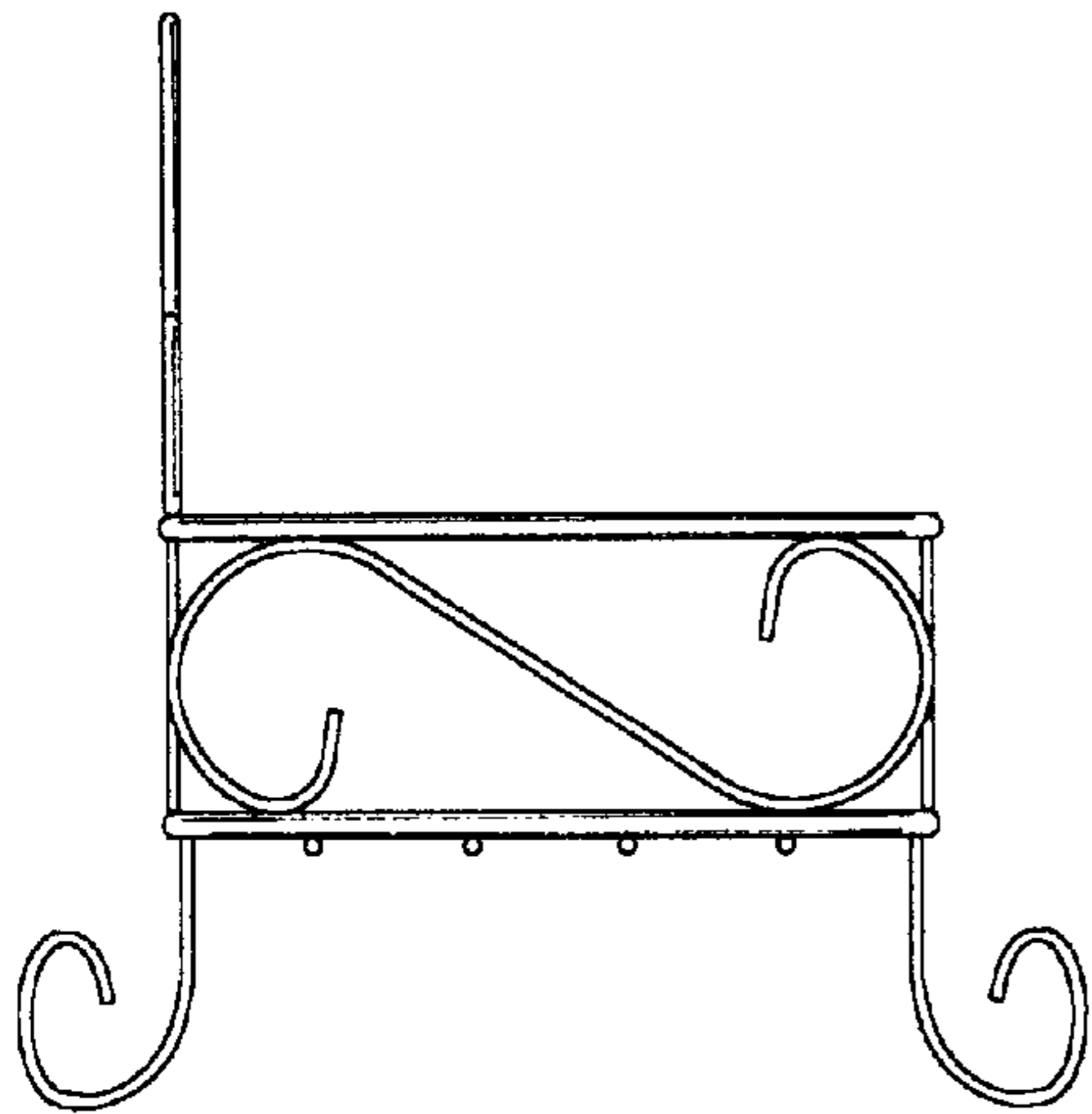


FIG. 2

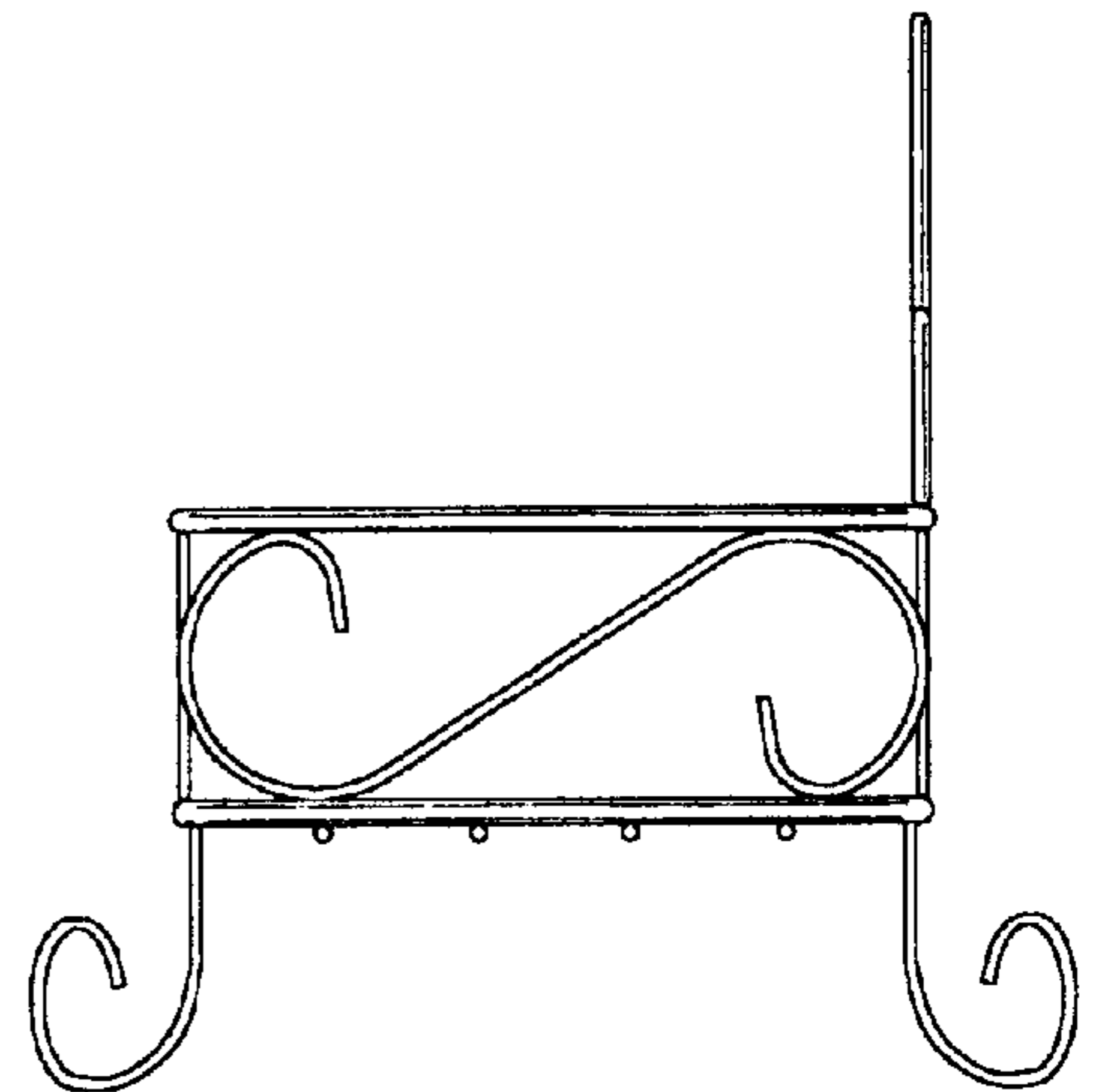


FIG. 3

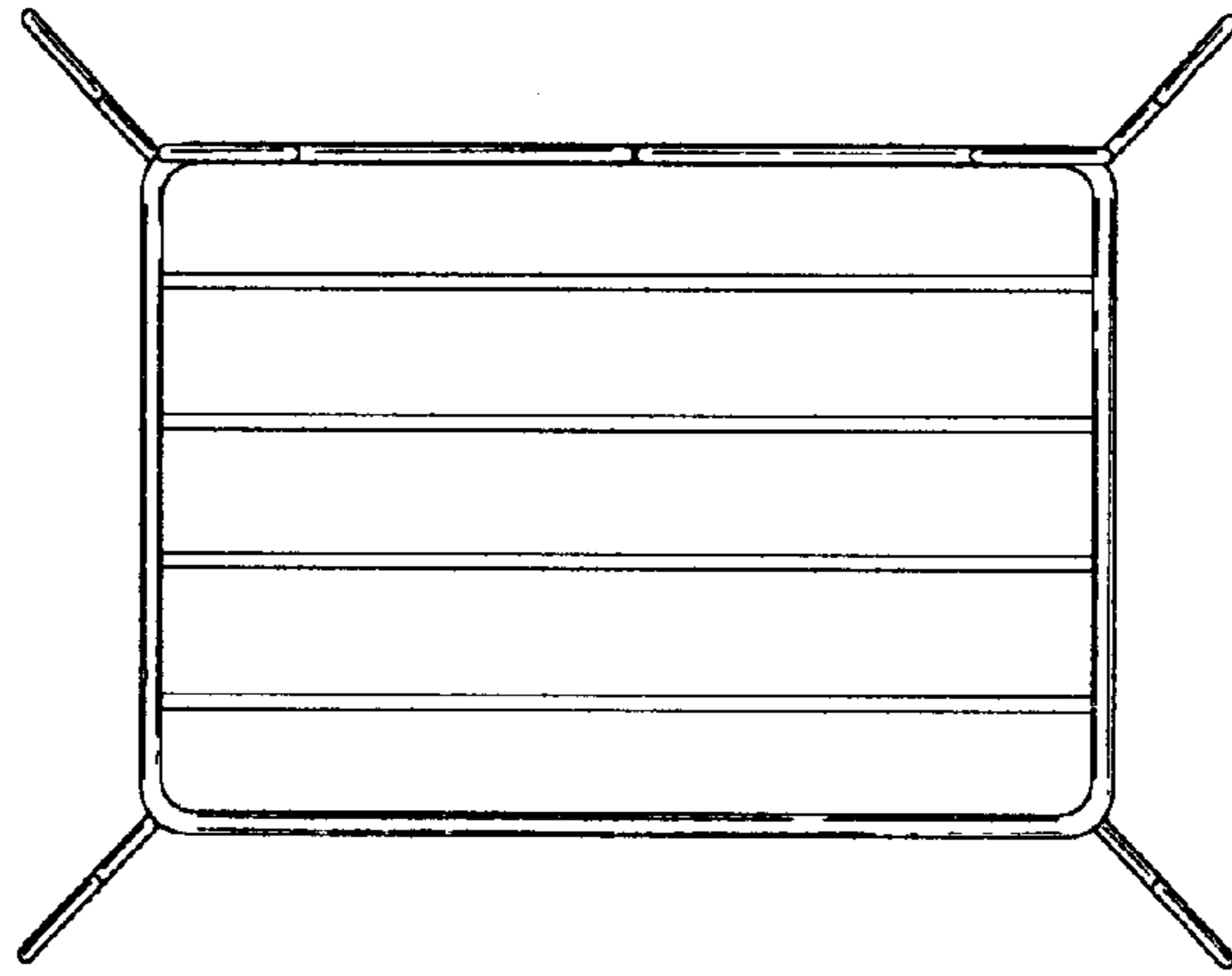


FIG. 4

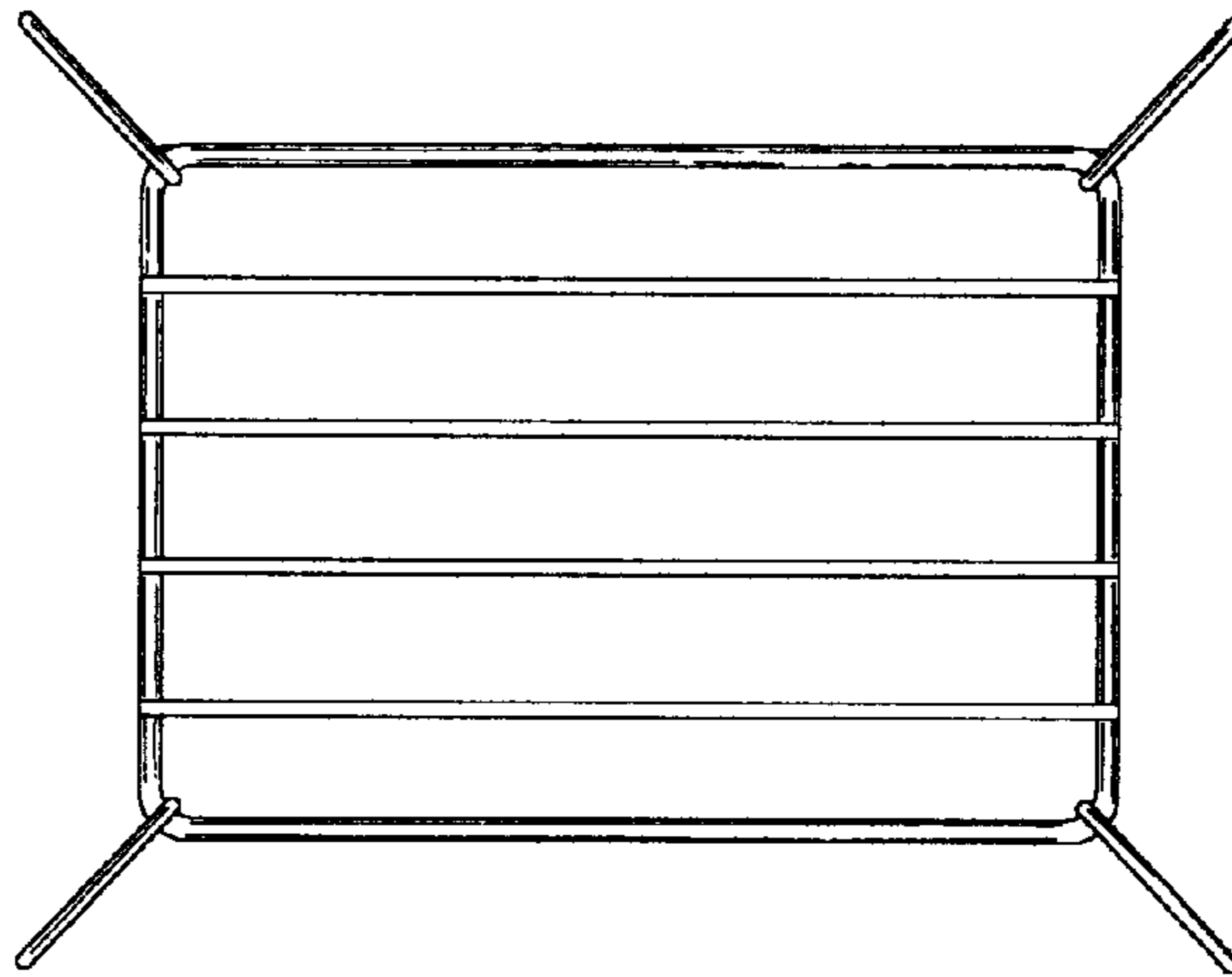


FIG. 5

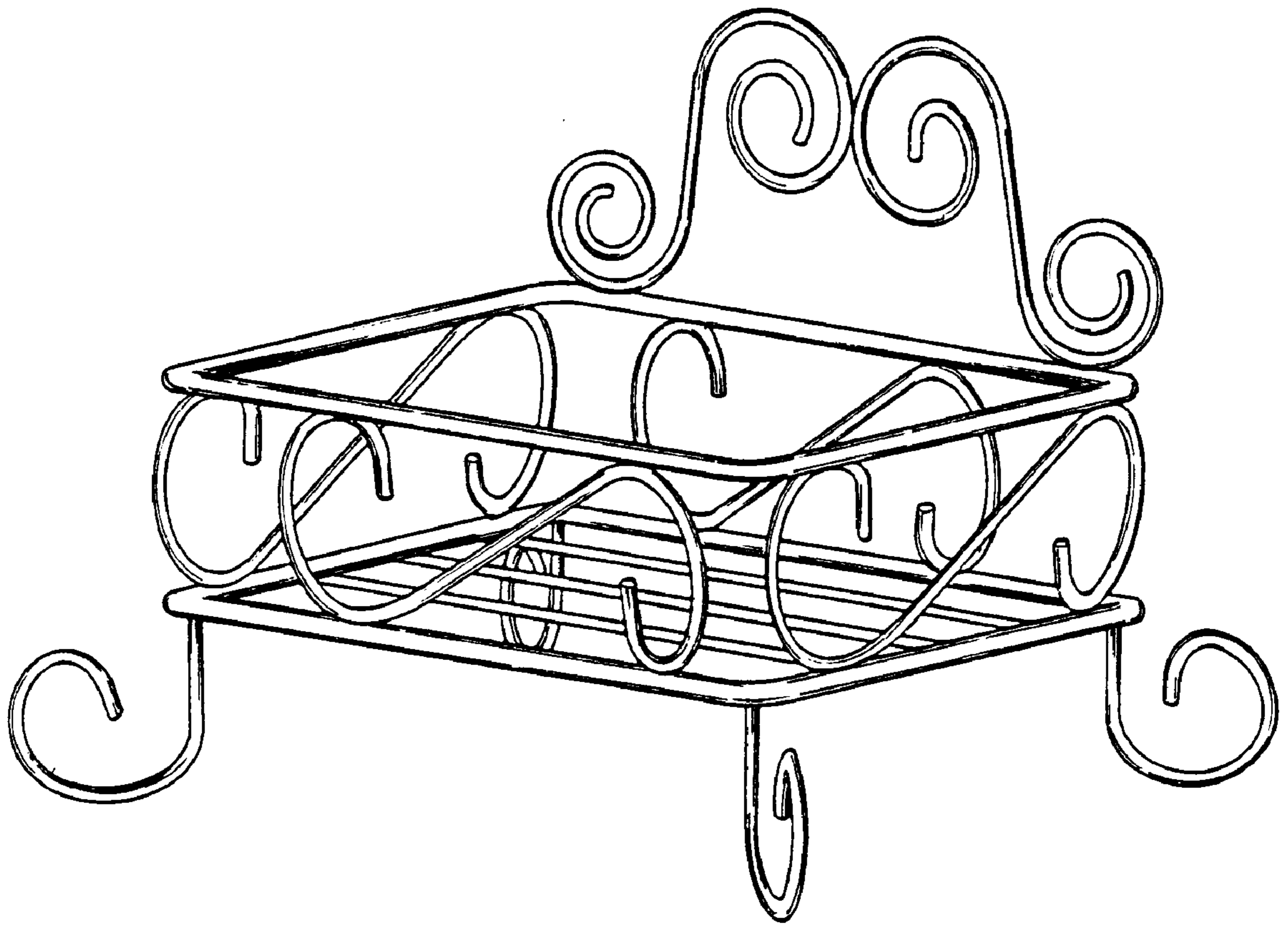


FIG. 6