



US00D419769S

United States Patent [19]
Germano

[11] **Patent Number: Des. 419,769**

[45] **Date of Patent: ** Feb. 1, 2000**

[54] **COMBINATION TOOL BOX SUPPLY
CABINET AND WORK BENCH**

5,378,005 1/1995 Norton 206/349

[76] Inventor: **Charles A. Germano**, 1586 Massey
Pointe La., Memphis, Tenn. 38120

Primary Examiner—Philip S. Hyder
Attorney, Agent, or Firm—John J. Mulrooney

[**] Term: **14 Years**

[57] **CLAIM**

The ornamental design for a combination tool box supply cabinet and work bench, as shown.

[21] Appl. No.: **29/101,355**

DESCRIPTION

[22] Filed: **Mar. 2, 1999**

[51] **LOC (7) Cl.** **03-01**

[52] **U.S. Cl.** **D3/274; D3/905; D3/295;**
D6/559

[58] **Field of Search** D3/273, 274, 905,
D3/294, 283, 276; 206/349, 372, 373, 379;
312/258; 144/285; D6/559

FIG. 1 is a perspective view of a combination tool box supply cabinet and work bench showing my new design, in an open position;

FIG. 2 is a bottom plan view thereof, in a closed position;

FIG. 3 is a top plan view thereof, in a closed position;

FIG. 4 is a front elevational view thereof, in a closed position;

FIG. 5 is a rear elevational view thereof, in a closed position;

FIG. 6 is a right side elevational view thereof, in a closed position;

FIG. 7 is a left side elevational view thereof, in a closed position;

FIG. 8 is a front elevational view thereof, in an open position; and,

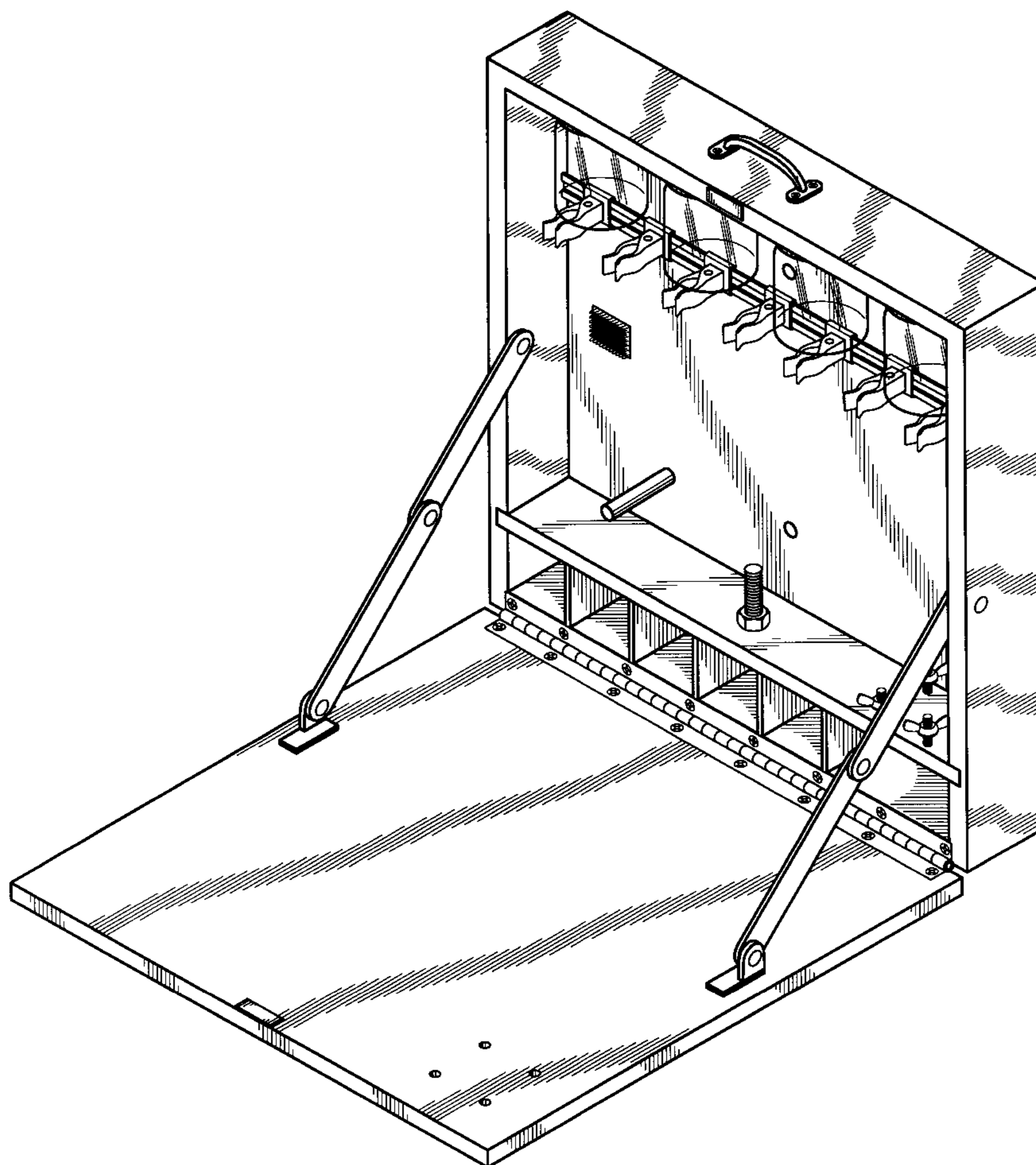
FIG. 9 is a right side elevational view thereof in an open position.

[56] **References Cited**

U.S. PATENT DOCUMENTS

D. 308,750	6/1990	Hillinger	D3/905
D. 318,367	7/1991	Chen	D3/294
D. 328,189	7/1992	Hillinger	D3/282
4,303,158	12/1981	Perkins	206/373
4,378,828	4/1983	Shiminski	144/285
4,819,800	4/1989	Wilson	206/373
5,366,071	11/1994	Laszlo	206/373

1 Claim, 3 Drawing Sheets



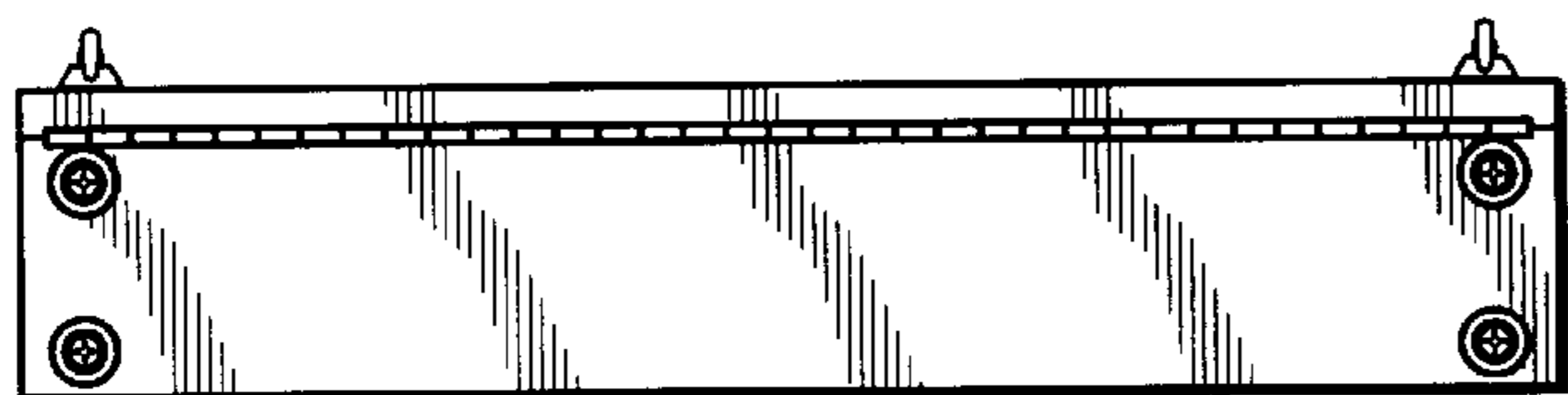
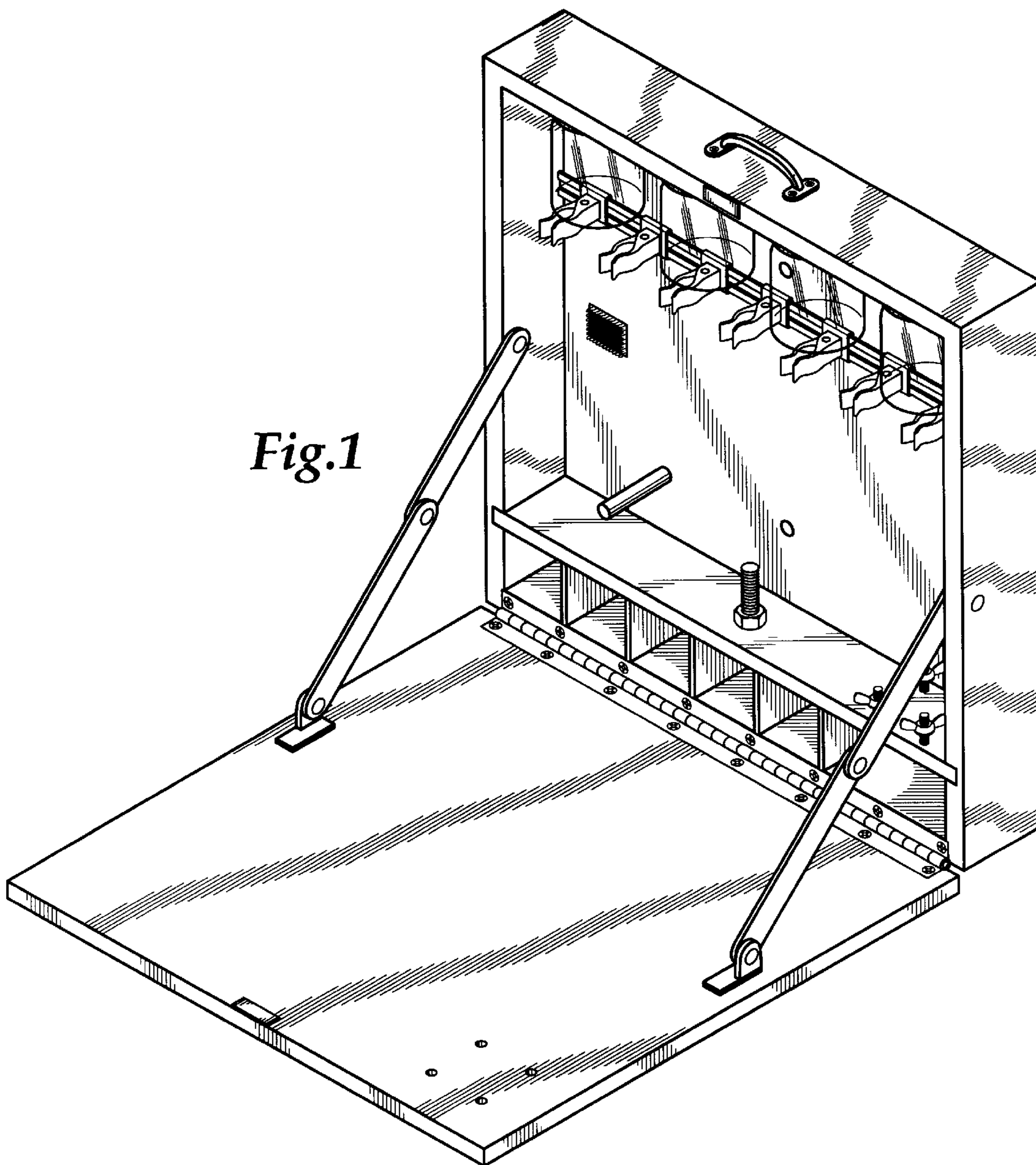


Fig. 2

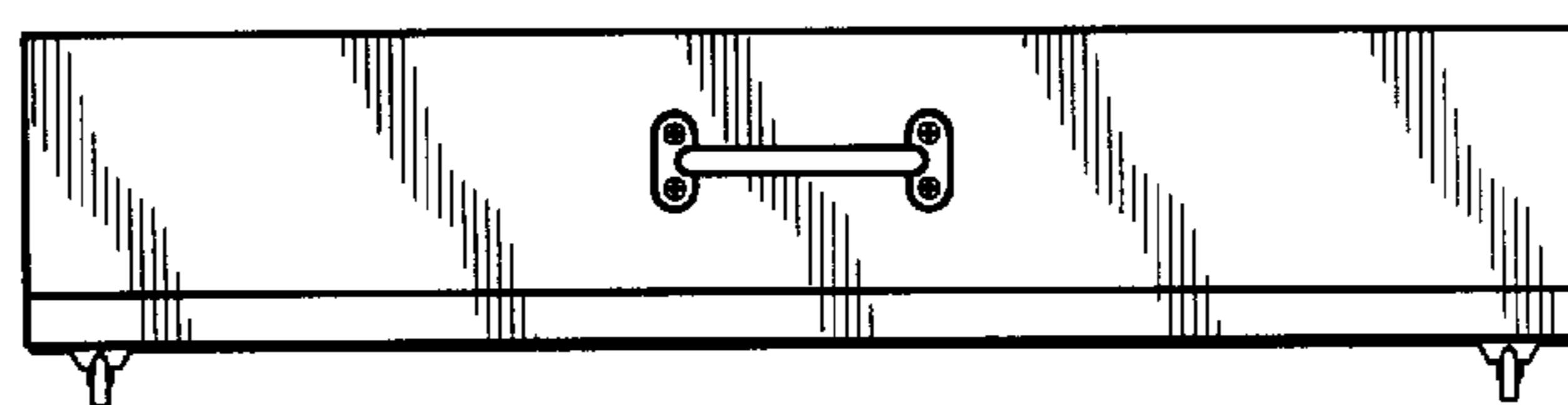


Fig. 3

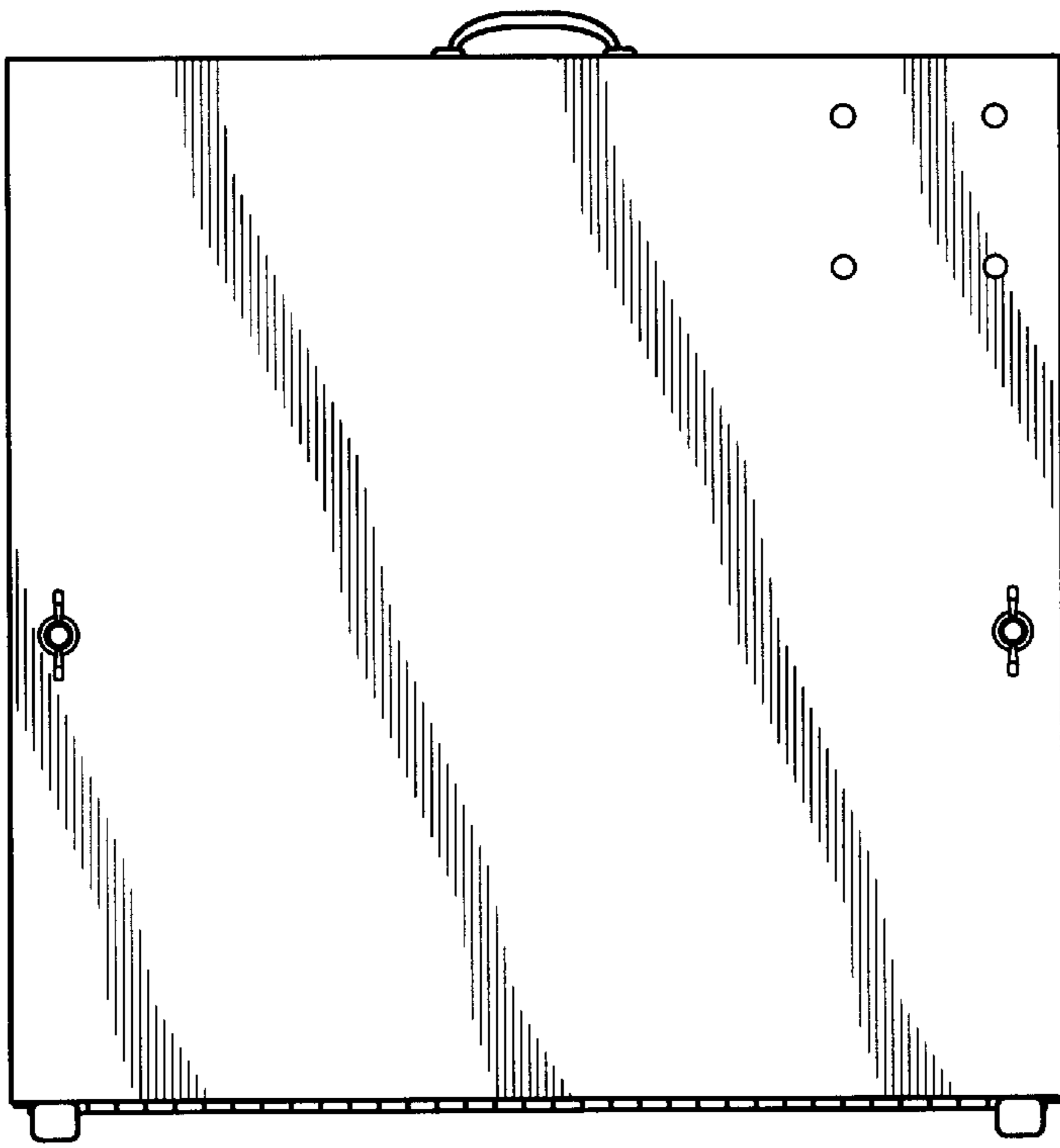


Fig.4

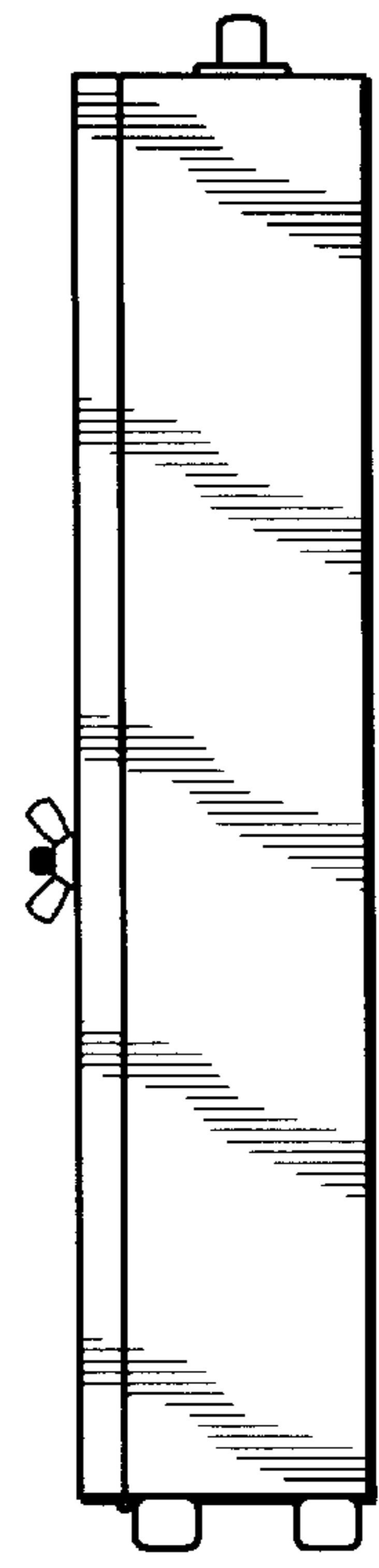


Fig.6

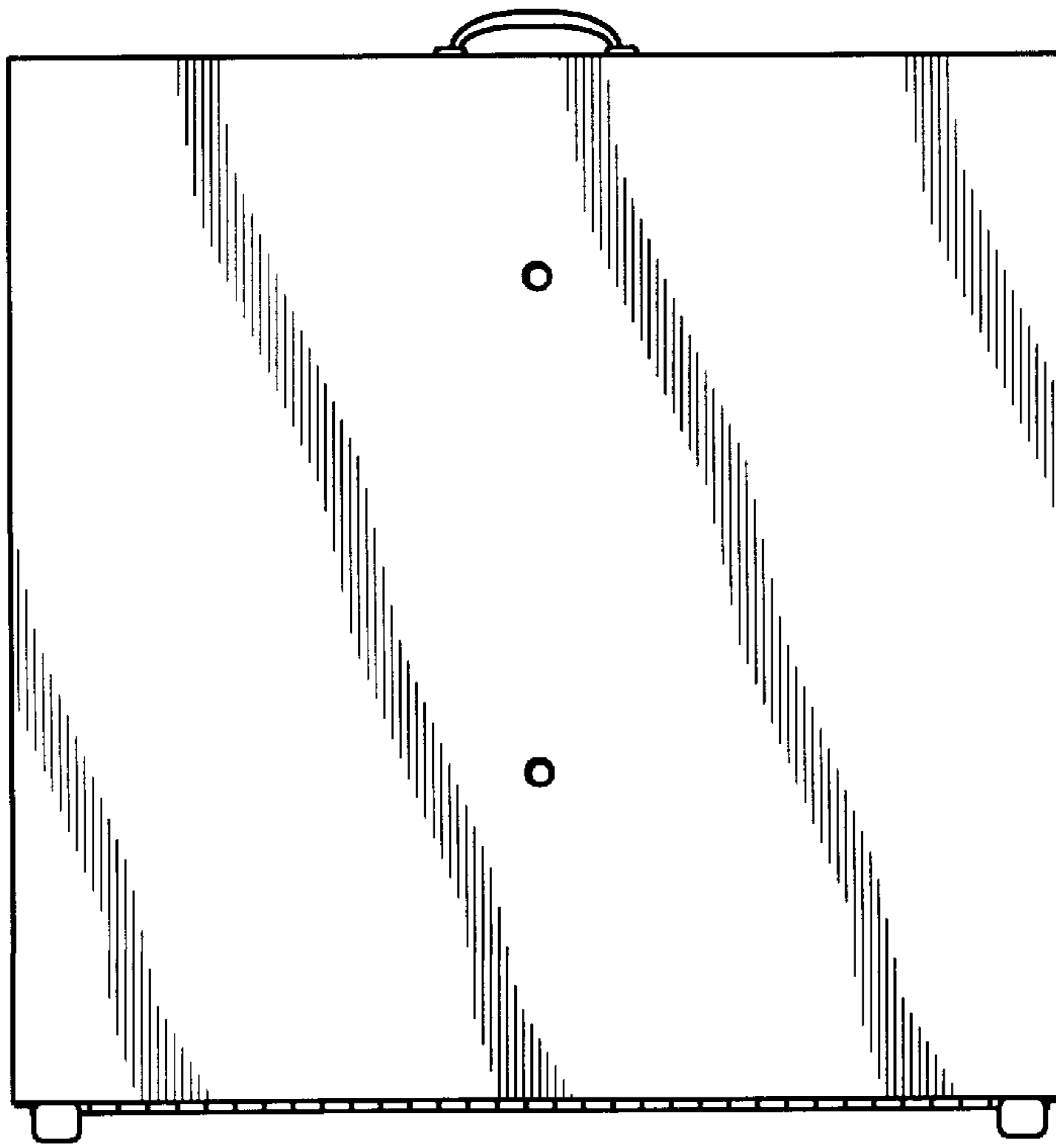


Fig.5

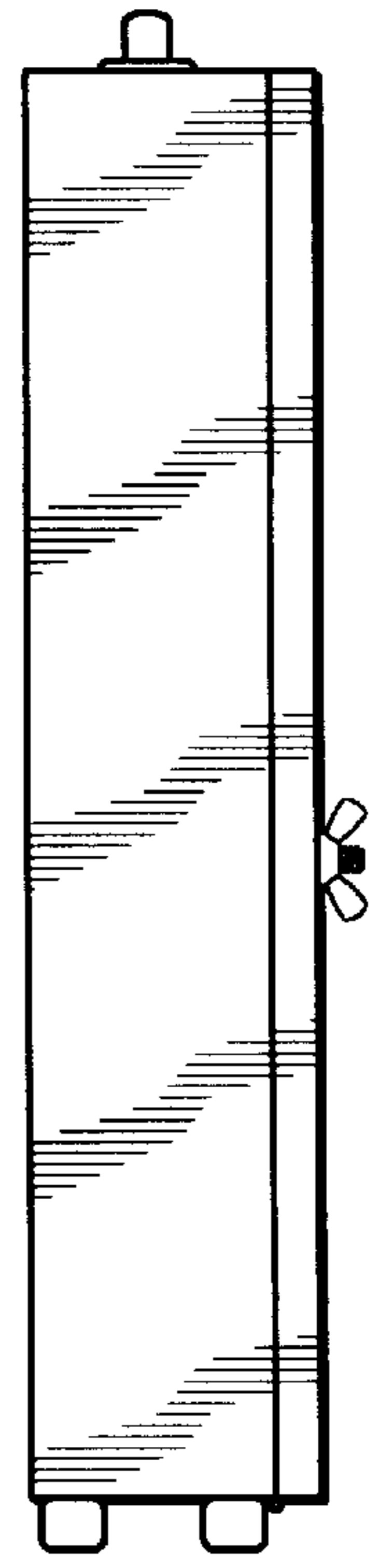


Fig.7

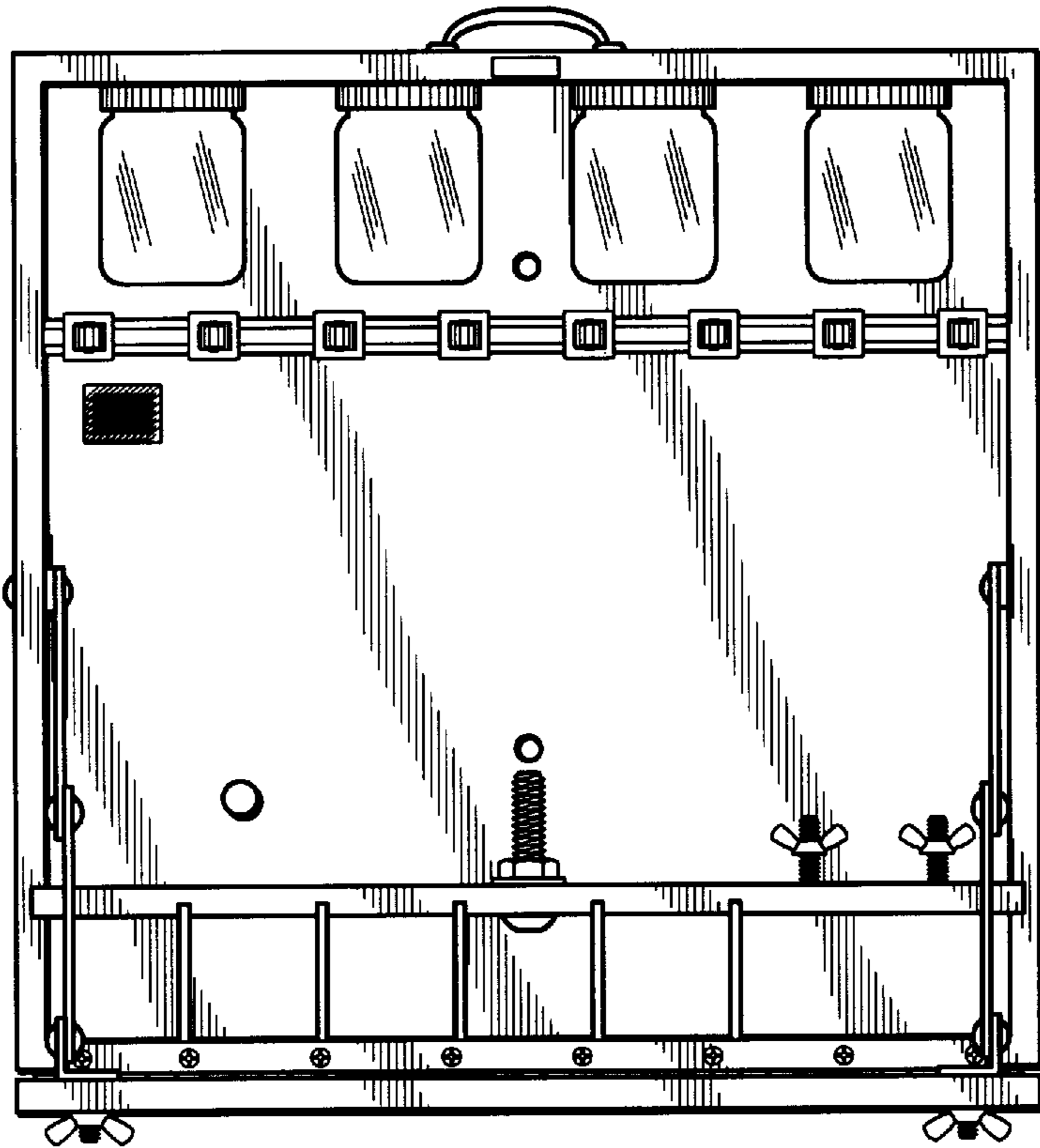


Fig. 8

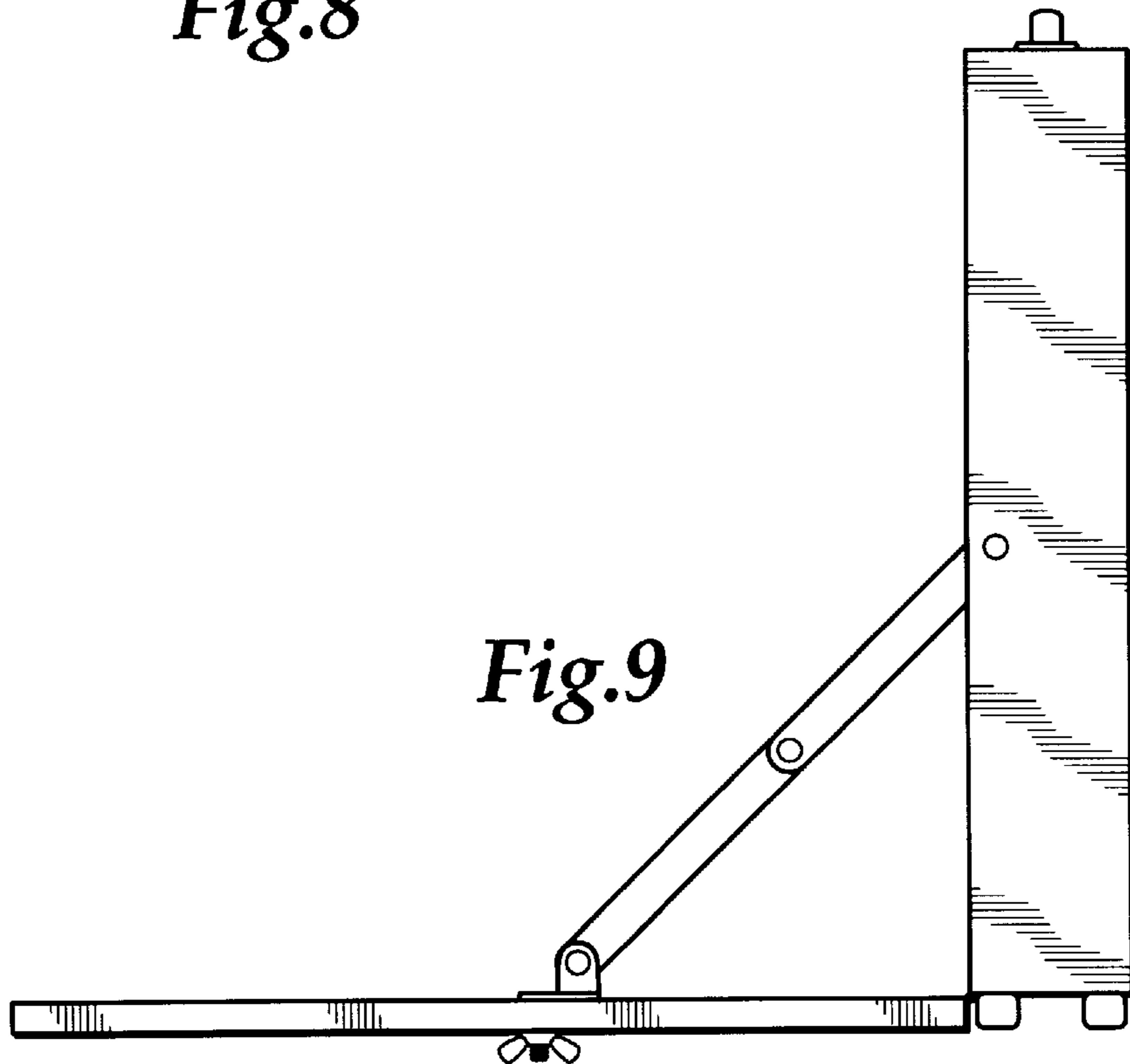


Fig. 9