



US00D419766S

United States Patent [19] Rekuc

[11] Patent Number: Des. 419,766

[45] Date of Patent: ** Feb. 1, 2000

[54] FOOTLOCKER

DESCRIPTION

[75] Inventor: **Richard J. Rekuc**, Pattenburg, N.J.

[73] Assignee: **Royalox International, Inc.**,
Philipsburg, N.J.

[**] Term: **14 Years**

[21] Appl. No.: **29/096,984**

[22] Filed: **Nov. 25, 1998**

[51] LOC (7) Cl. **03-01**

[52] U.S. Cl. **D3/272**

[58] Field of Search D3/272, 273, 276,
D3/294, 279; 190/18 A, 19, 25, 26, 37,
39, 40, 100, 101, 115

[56] References Cited

U.S. PATENT DOCUMENTS

D. 67,730	6/1925	Wheary	D3/272
D. 71,465	11/1926	Langmuir	D3/272
D. 129,108	8/1941	Sprague	D3/272
D. 337,657	7/1993	Marhc et al.	D3/272
D. 347,324	5/1994	Dickinson	D3/272
D. 351,502	10/1994	Weir et al.	D3/273
D. 378,164	2/1997	Lee	D3/276
732,765	6/1903	Burnside	190/37
1,543,999	6/1925	Goldsmith	190/37
1,638,470	8/1927	Caldwell	190/37
2,626,025	1/1953	Sherman	190/37

Primary Examiner—Philip S. Hyder
Attorney, Agent, or Firm—Herbert Dubno

[57] CLAIM

The ornamental design for a footlocker, showing my new design.

FIG. 1 is front elevational view of a footlocker and fittings therefore showing my new design;

FIG. 2 is a rear elevational view thereof;

FIG. 3 is a top plan view thereof;

FIG. 4 is a bottom plan view thereof;

FIG. 5 is a right side elevational view thereof, the left side being mirror symmetrical thereto;

FIG. 6 is an enlarged perspective view of one of the top corner fittings on the footlocker;

FIG. 7 is an enlarged perspective view of one of the bottom corner fittings on the footlocker;

FIG. 8 is an enlarged front elevational view of the lock on the footlocker;

FIG. 9 is an enlarged right side elevational view of the lock on the footlocker;

FIG. 10 is an enlarged top plan view of the lock on the footlocker;

FIG. 11 is an enlarged bottom plan view of the lock on the footlocker;

FIG. 12 is an enlarged front elevational view of one of the clasps on the footlocker;

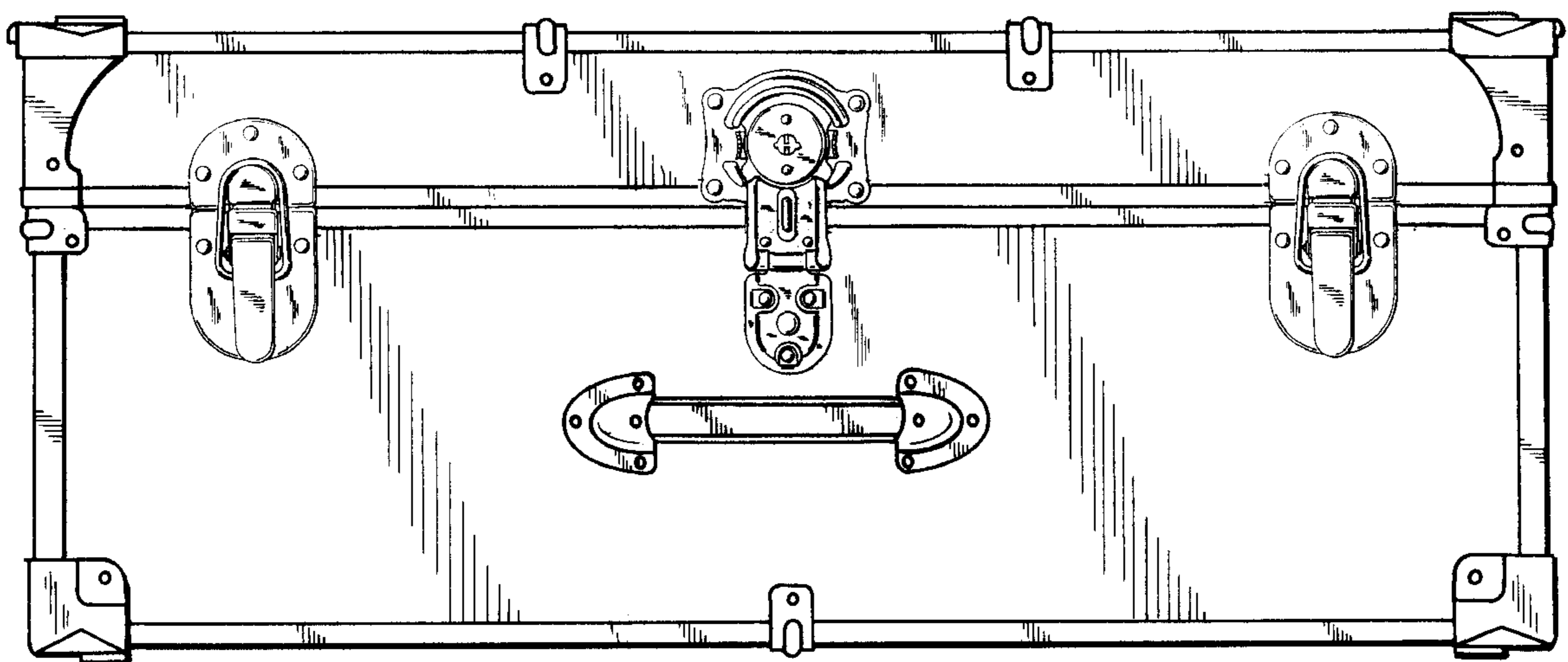
FIG. 13 is an enlarged right side elevational view of one of the clasps on the footlocker;

FIG. 14 is an enlarged top plan view of one of the clasps on the footlocker; and,

FIG. 15 is an enlarged bottom plan view of one of the clasps on the footlocker.

The broken line portions of the drawing disclosure are for illustrative purposes only and form no part of the claimed design.

1 Claim, 13 Drawing Sheets



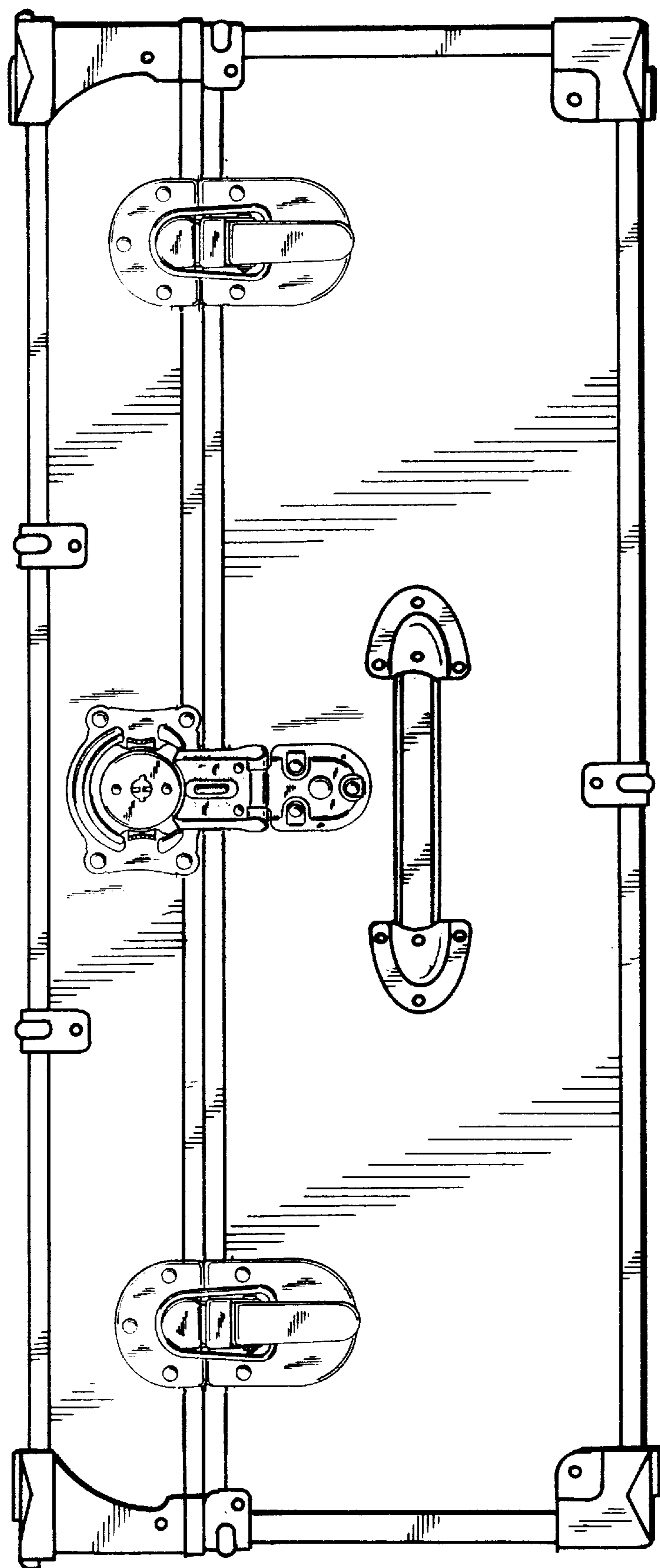


FIG. 1

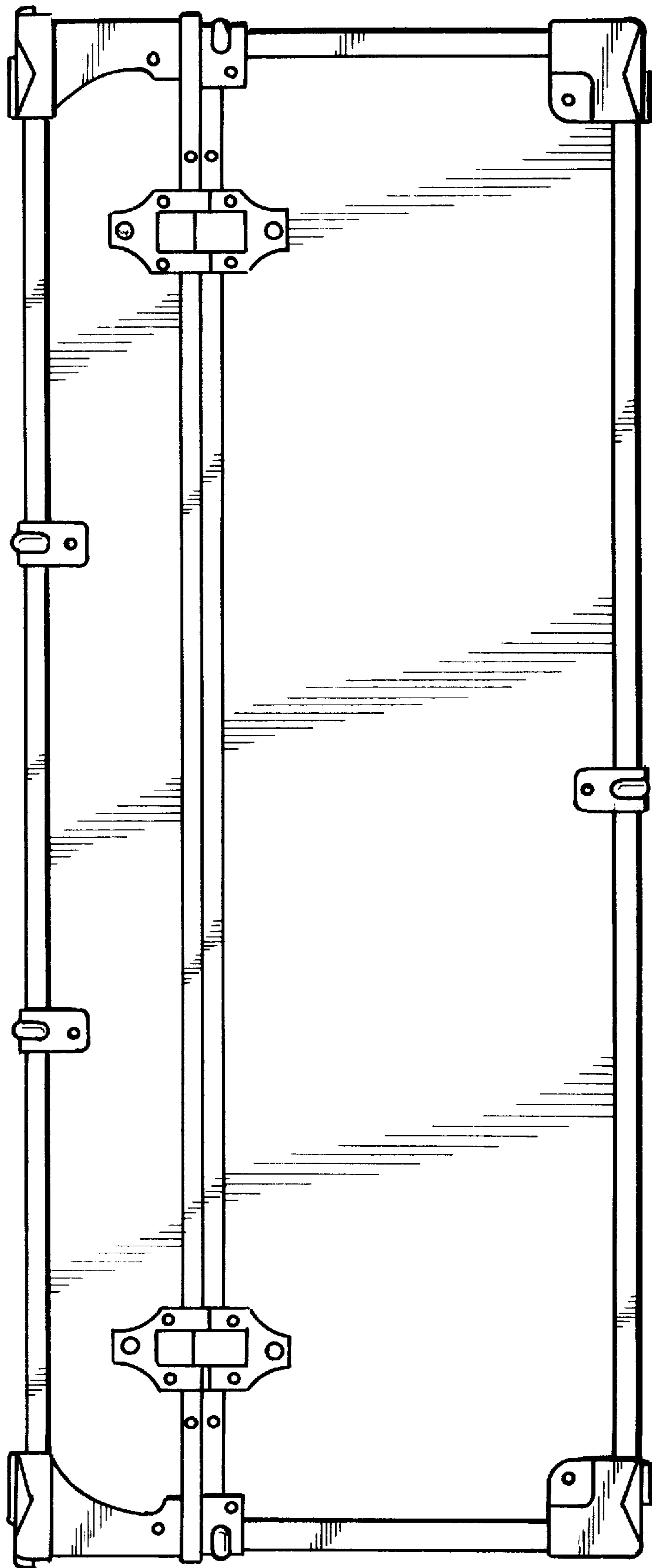


FIG. 2

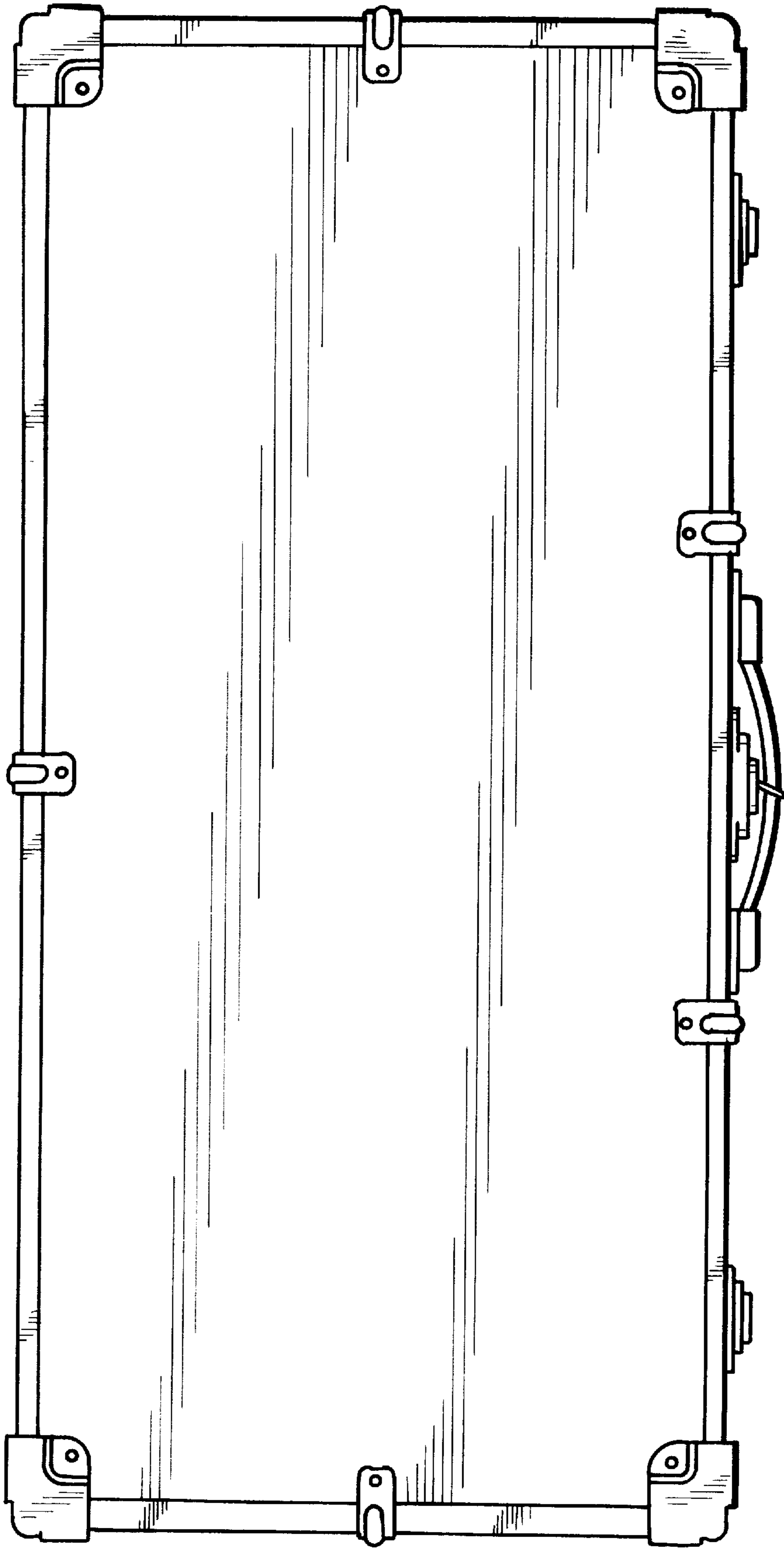
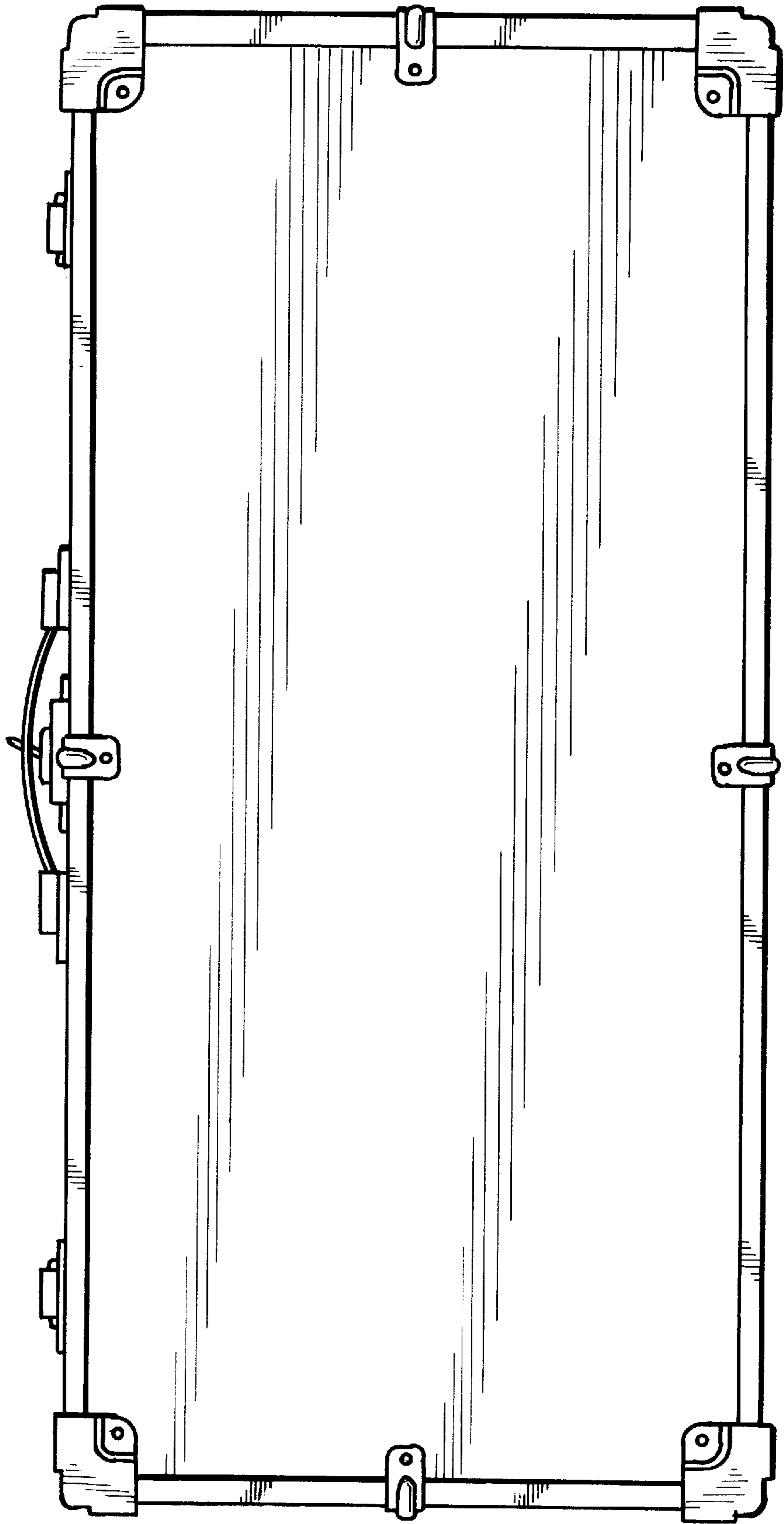


FIG. 3

FIG. 4



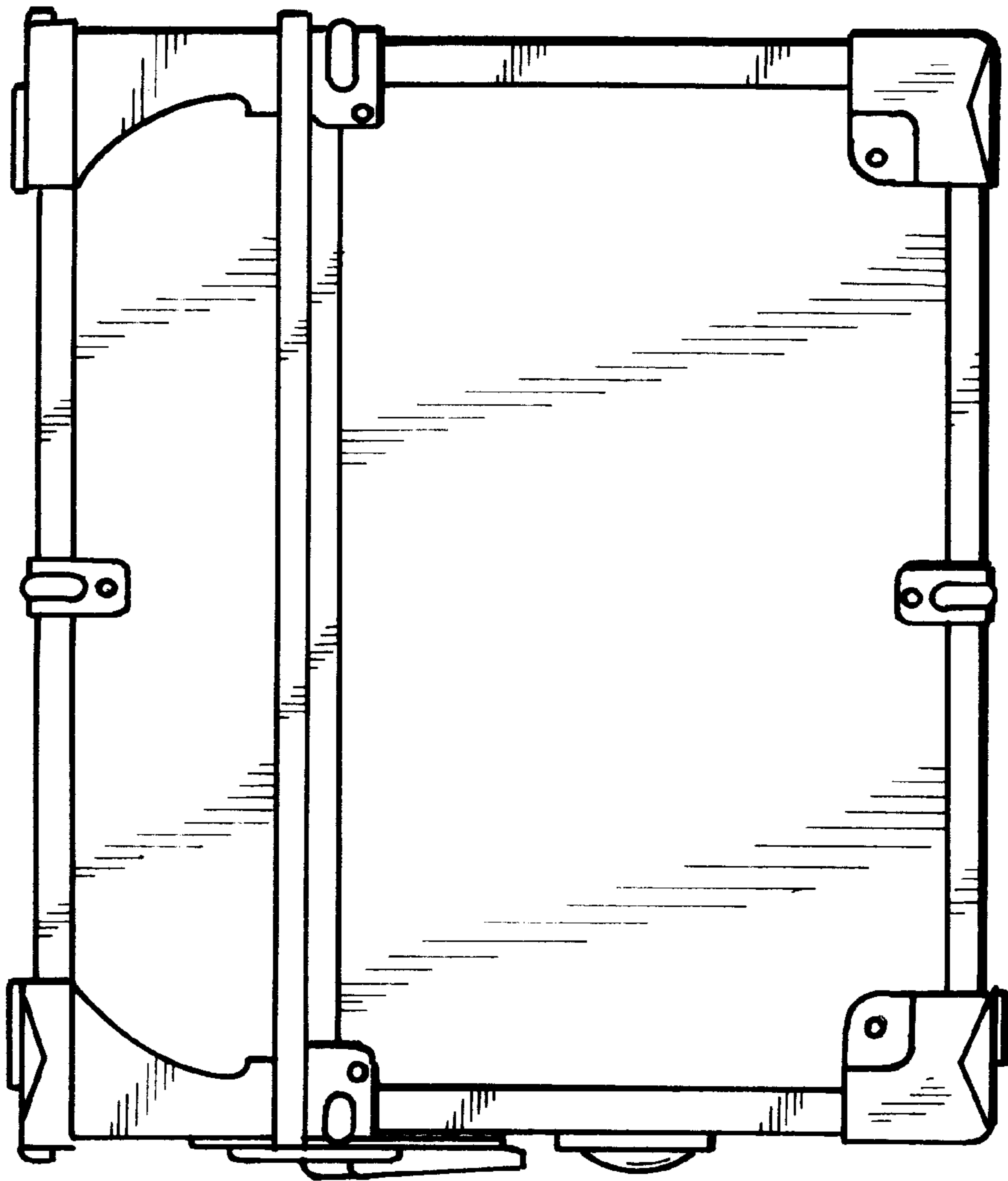


FIG. 5

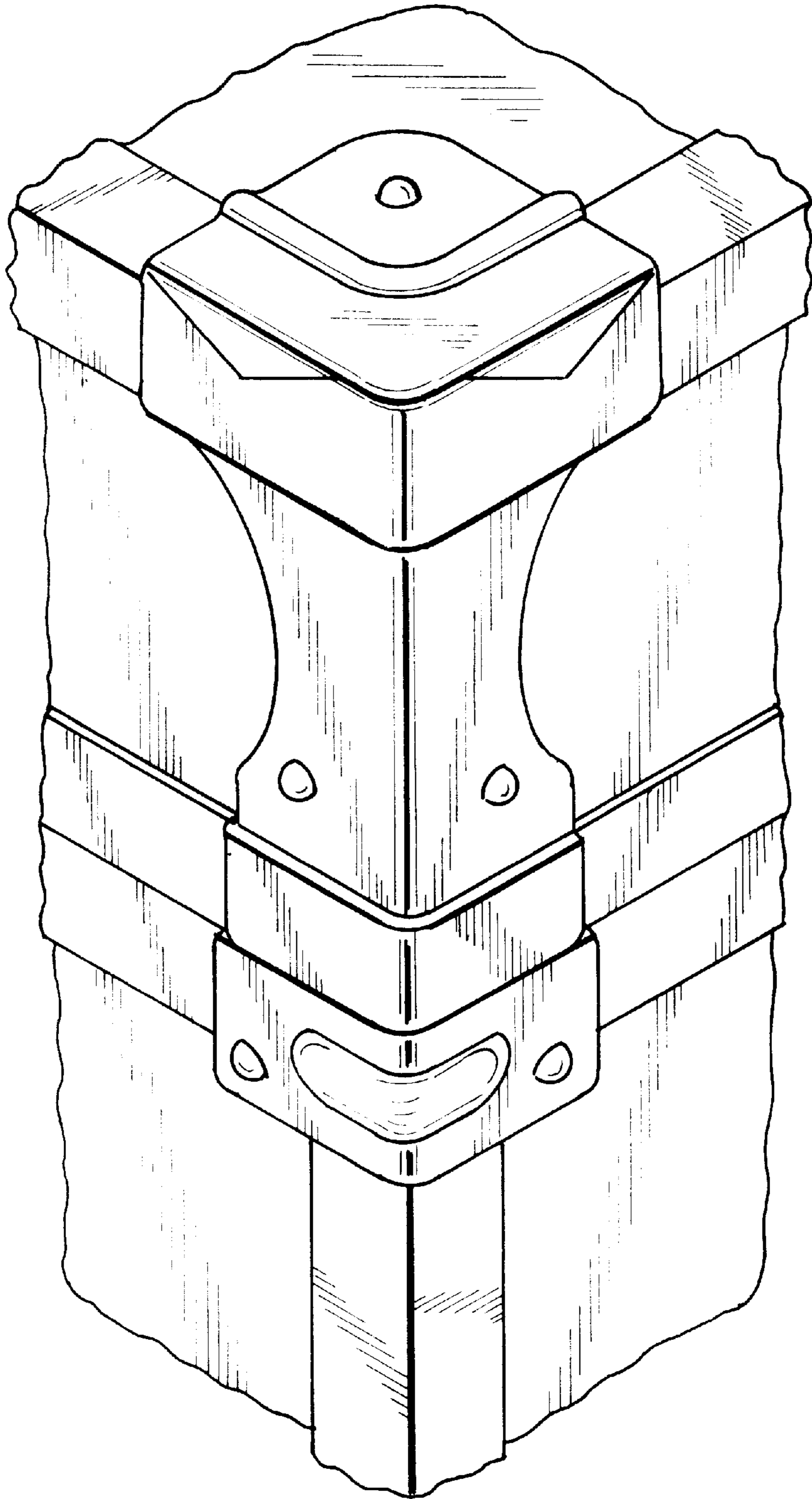


FIG. 6

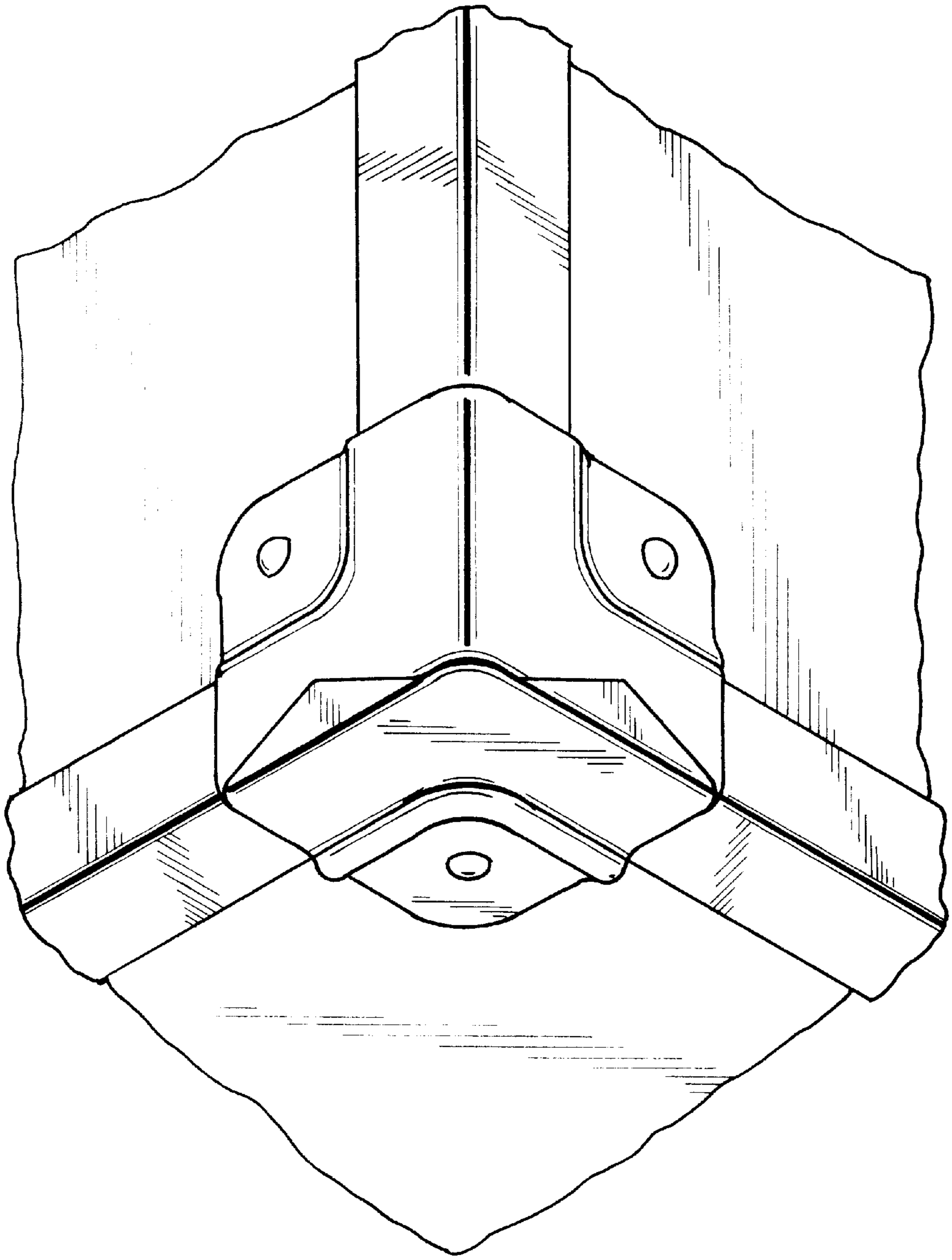


FIG. 7

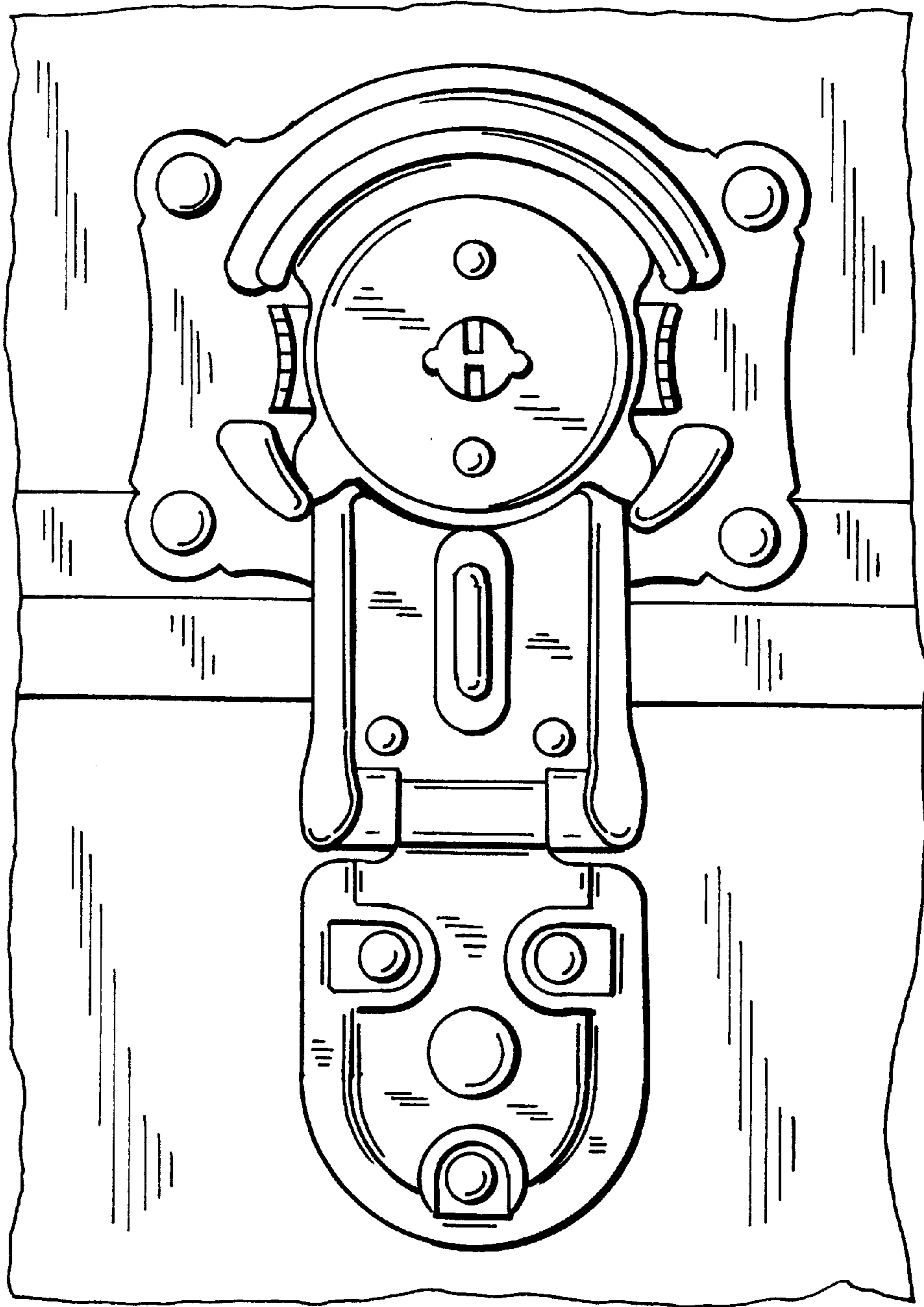
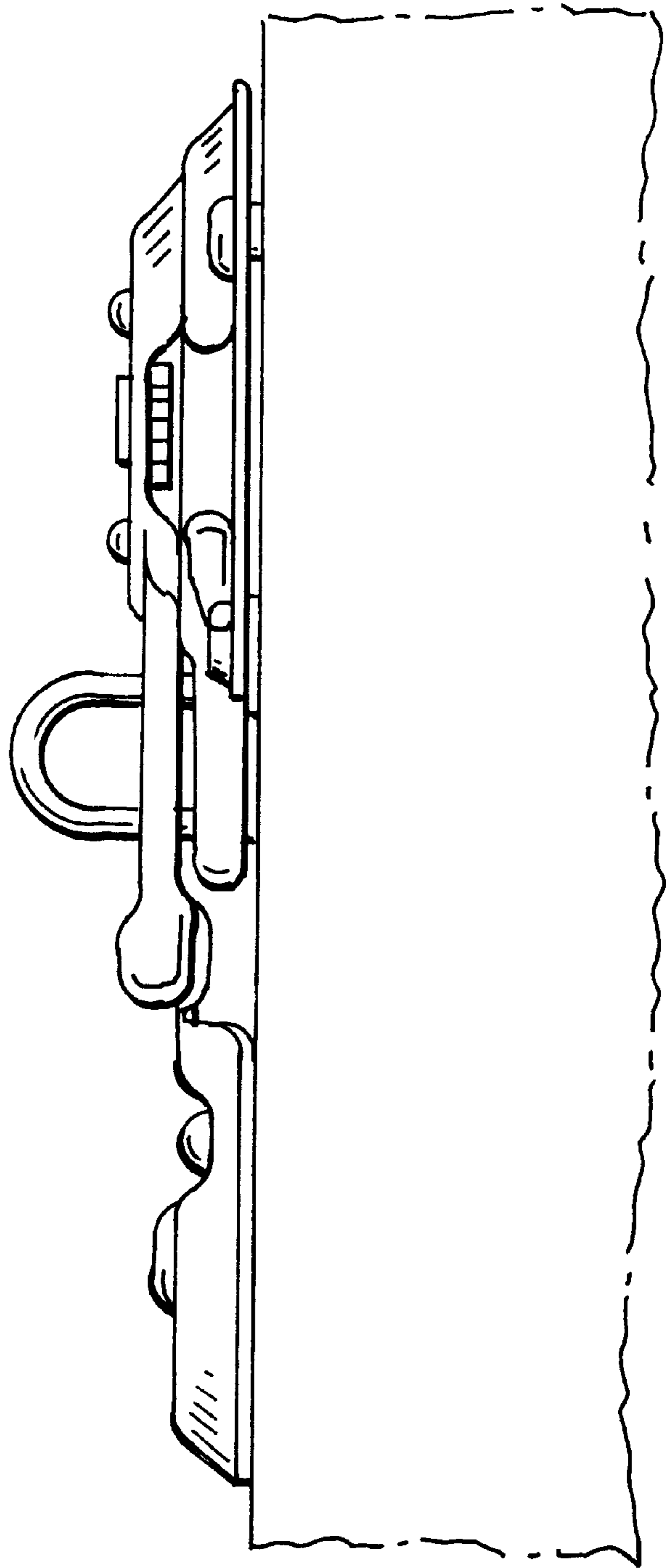


FIG. 8

FIG. 9



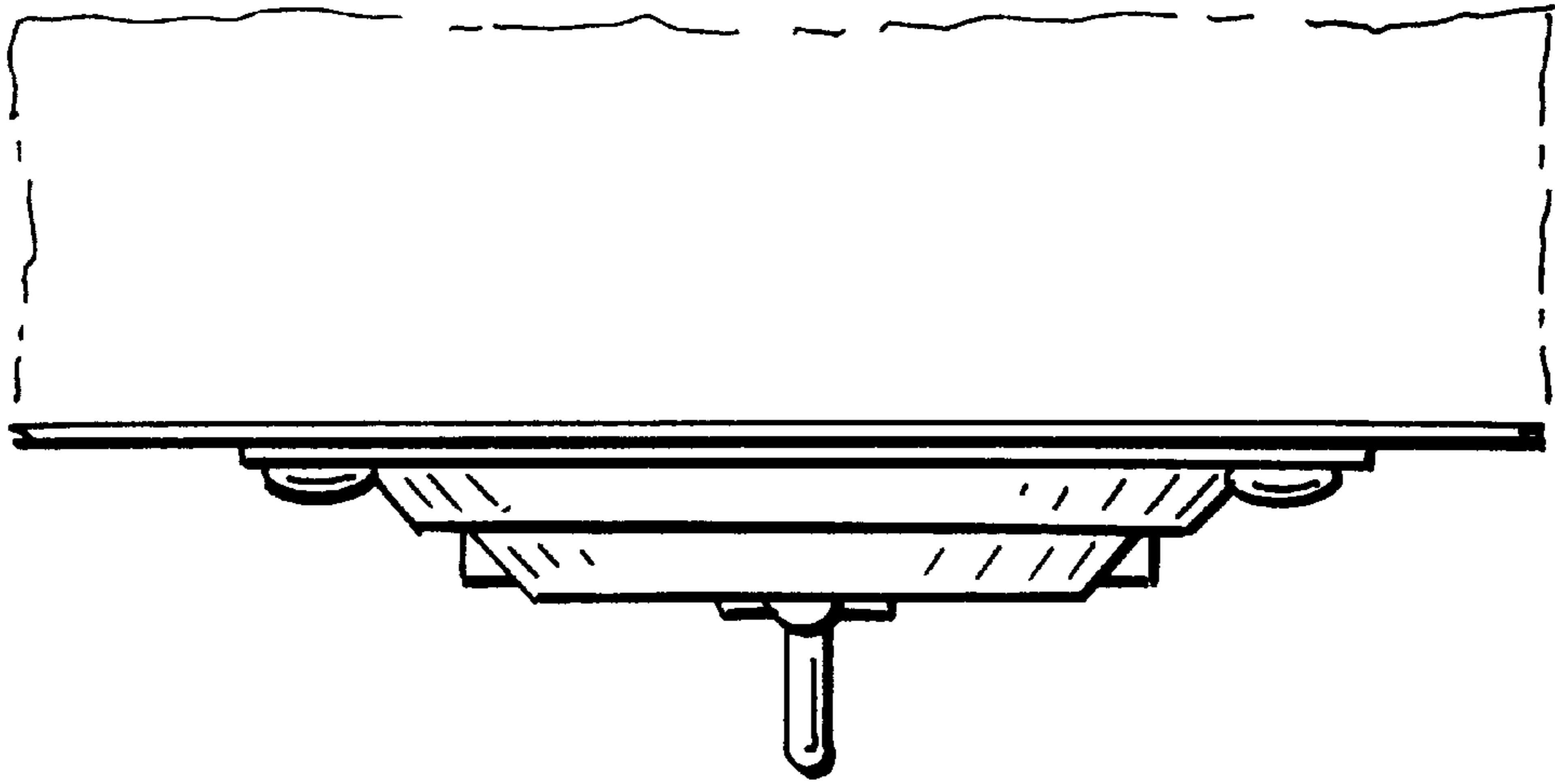


FIG. 10

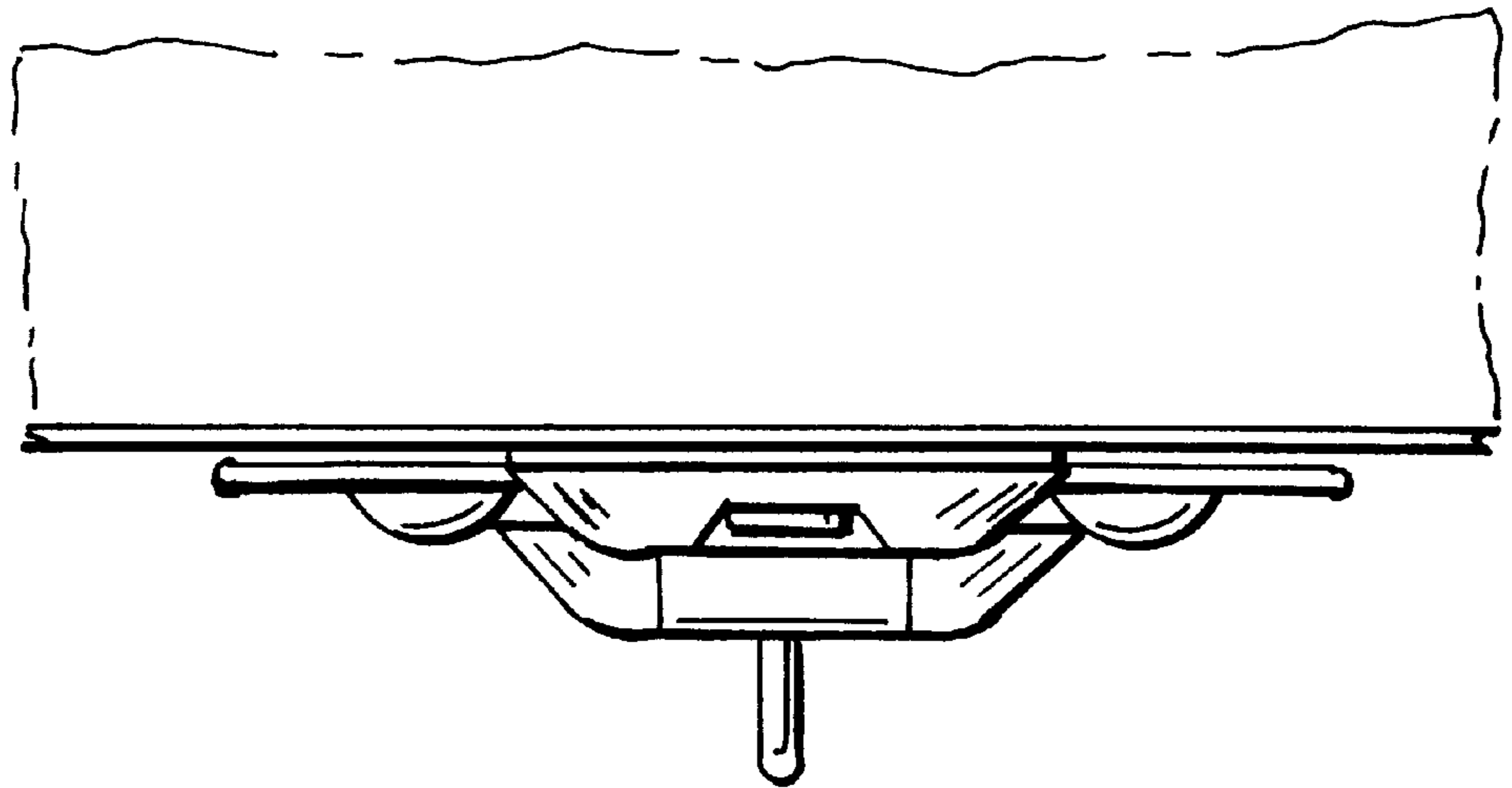


FIG. 11

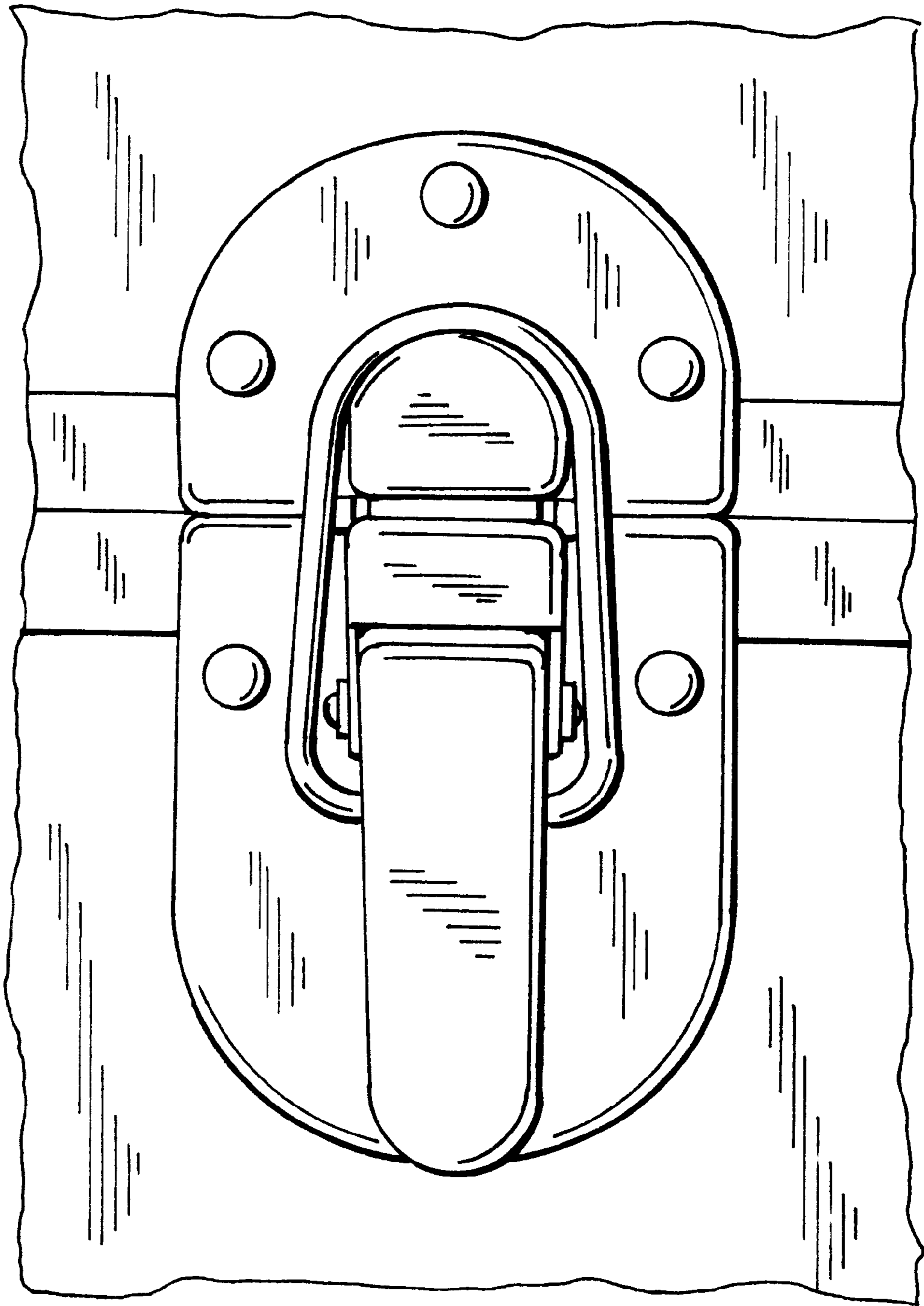


FIG. 12

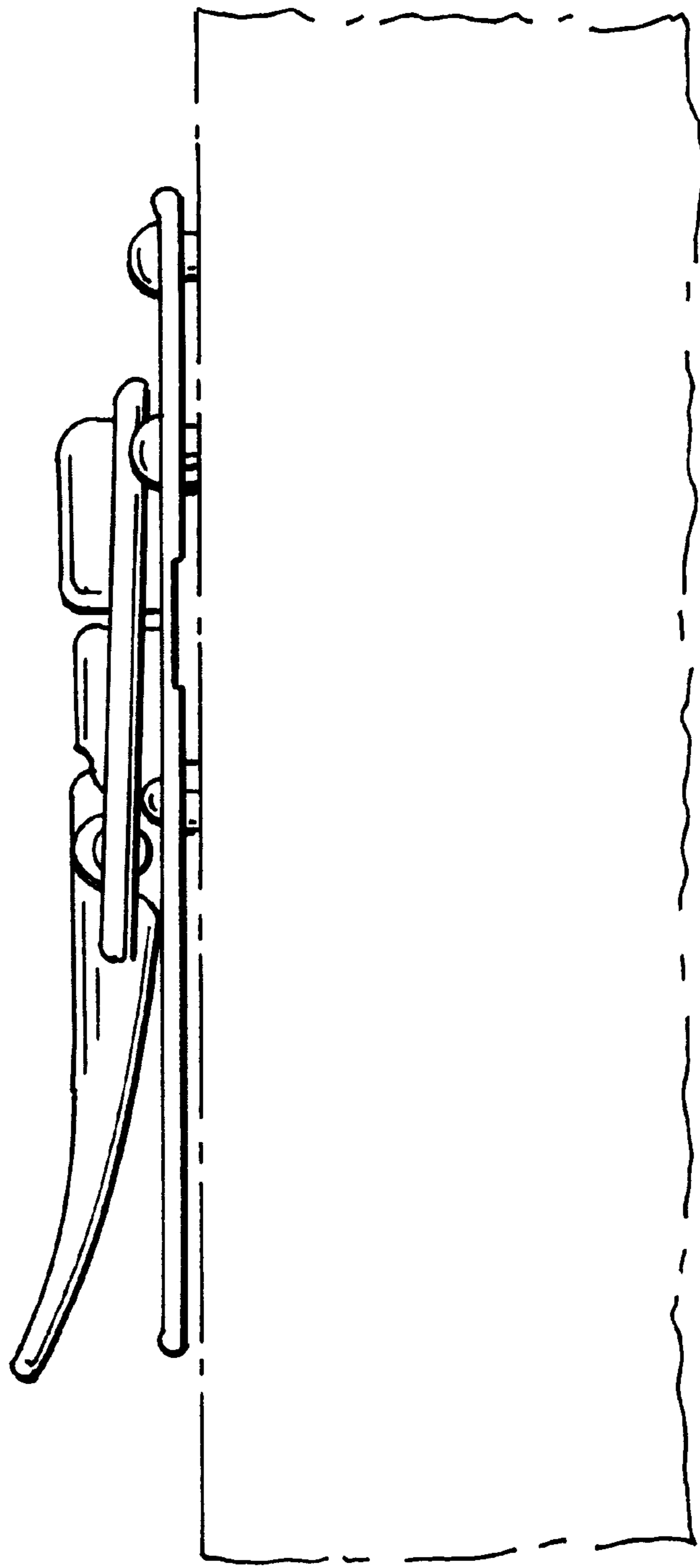


FIG. 13

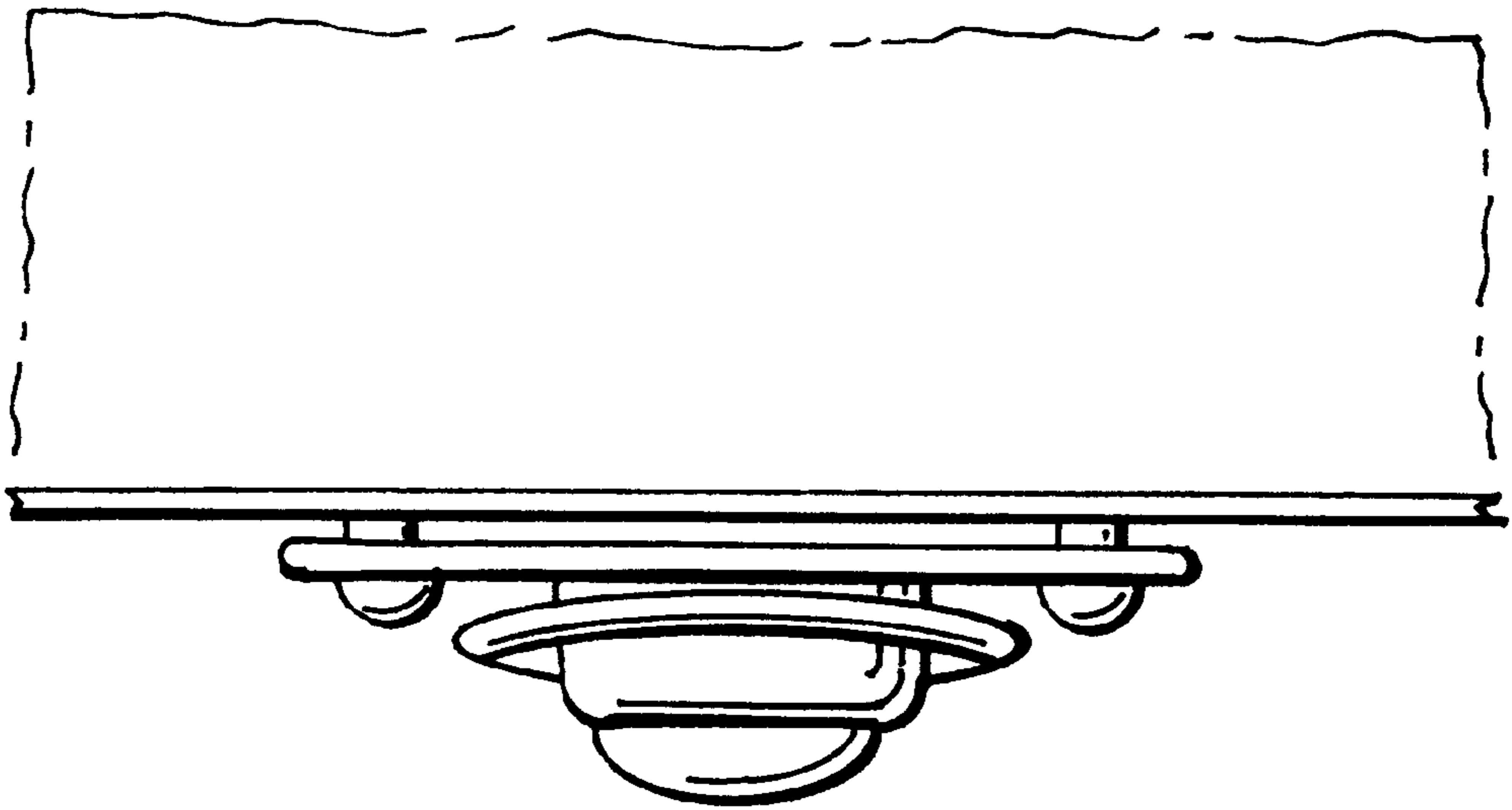


FIG. 14

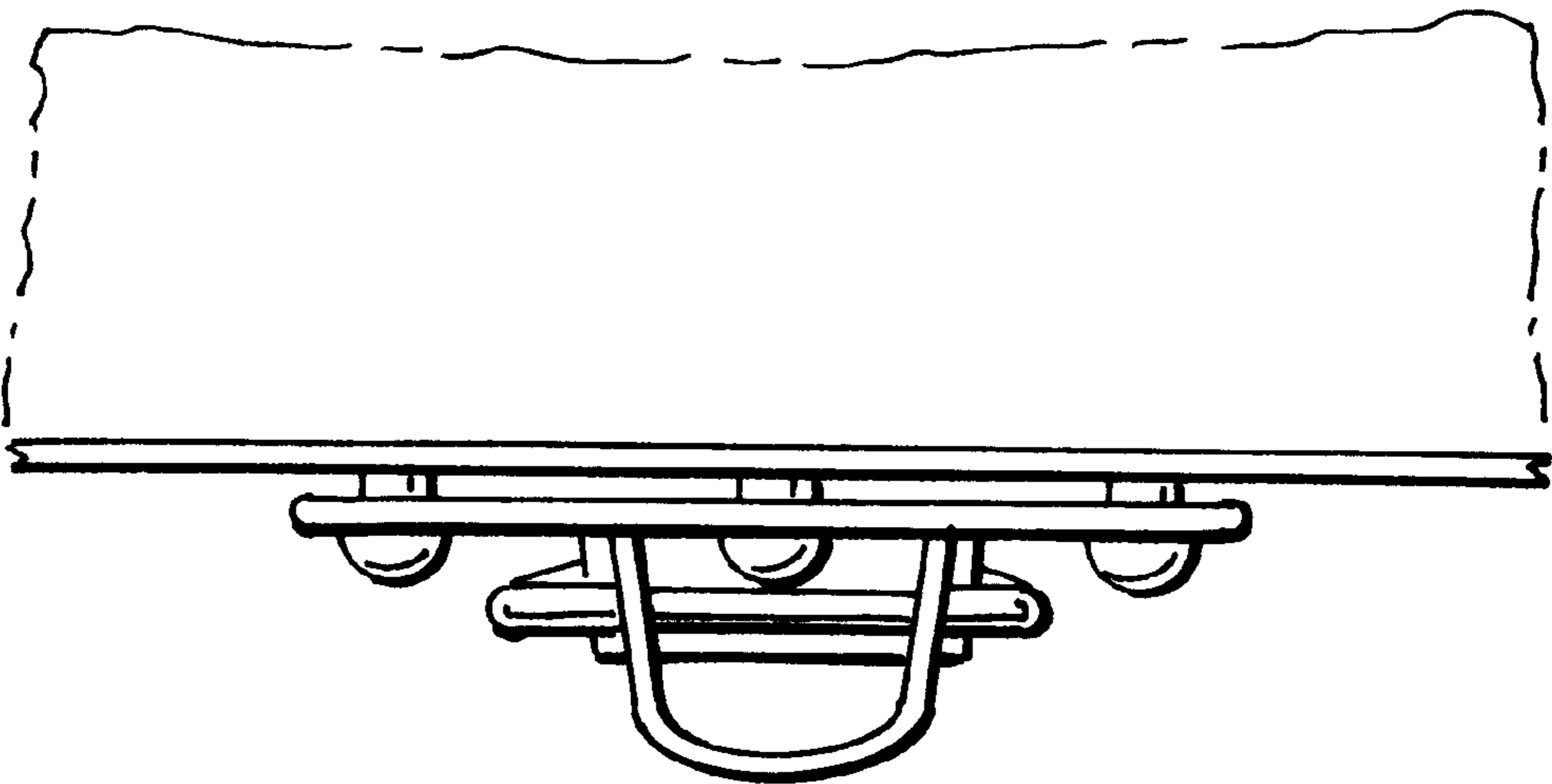


FIG. 15