



US00D419762S

United States Patent [19]
Riley

[11] **Patent Number: Des. 419,762**
[45] **Date of Patent: ** Feb. 1, 2000**

[54] **COMBINED BEVERAGE CONTAINER AND HARNESS**

Primary Examiner—Louis S. Zarfes
Assistant Examiner—Catherine R. Oliver

[76] Inventor: **Copelyn L Riley**, Rte. 4 Box 1326,
Orangeburg, S.C. 29118

[57] **CLAIM**

[**] Term: **14 Years**

The ornamental design for a combined beverage container and harness, as shown.

[21] Appl. No.: **29/099,717**

DESCRIPTION

[22] Filed: **Jan. 28, 1999**

[51] **LOC (7) Cl.** **03-01**

[52] **U.S. Cl.** **D3/229; D3/216**

[58] **Field of Search** D3/229, 202, 216,
D3/217; 224/148.1, 148.2, 148.3, 148.4,
148.5; D7/619

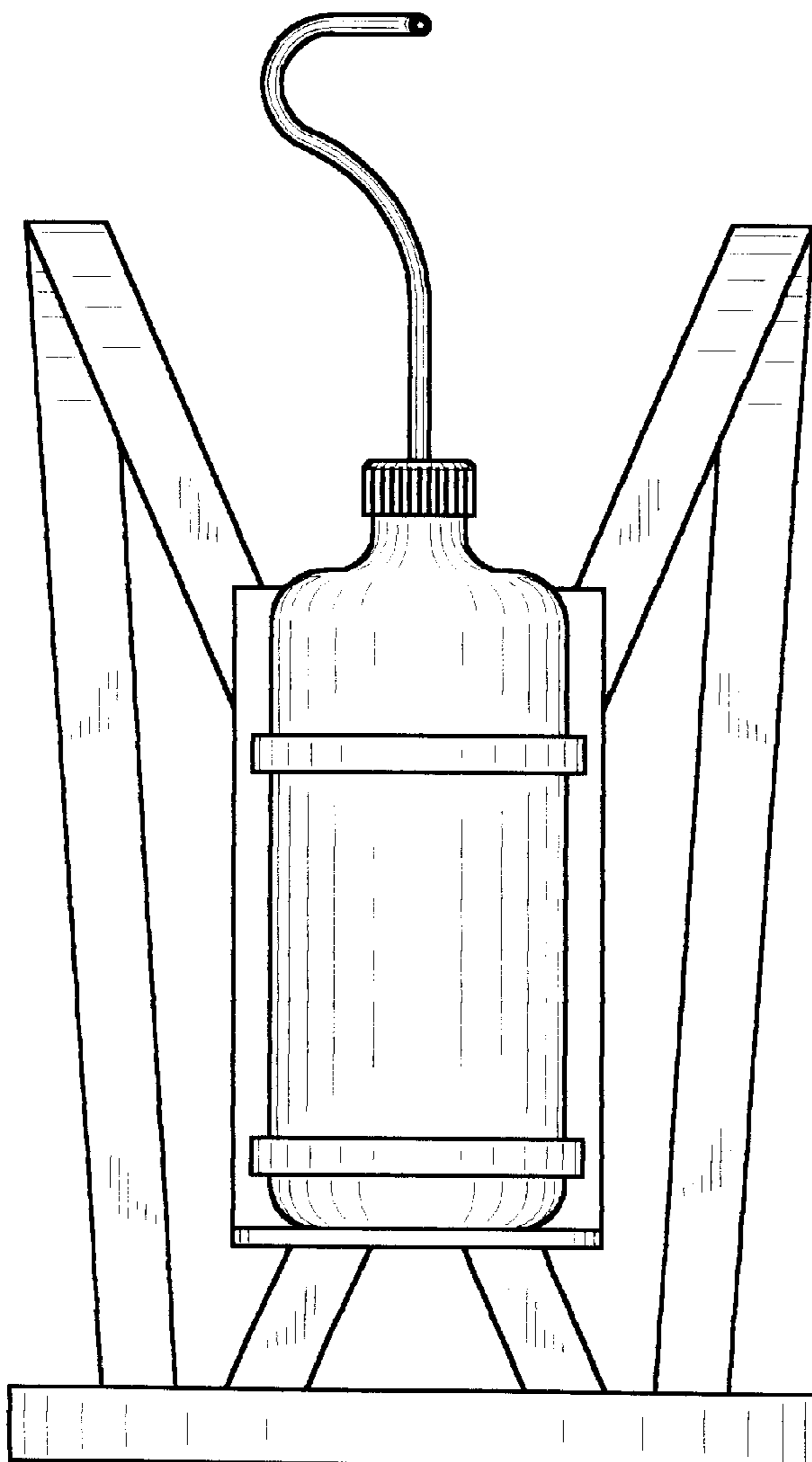
FIG. 1 is a rear elevational view of the combined beverage container and harness of the present invention;
FIG. 2 is a front elevational view of the combined beverage container and harness of FIG. 1;
FIG. 3 is a right side elevational view of the combined beverage container and harness of FIG. 1;
FIG. 4 is a left side elevational view of the combined beverage container and harness of FIG. 1;
FIG. 5 is a top plan view of the combined beverage container and harness of FIG. 1; and,
FIG. 6 is a bottom plan view of the combined beverage container and harness of FIG. 1.

[56] **References Cited**

U.S. PATENT DOCUMENTS

D. 365,926	1/1996	D'Angelo	D3/217
5,060,833	10/1991	Edison	224/148
5,427,290	6/1995	Thatcher	224/148

1 Claim, 3 Drawing Sheets



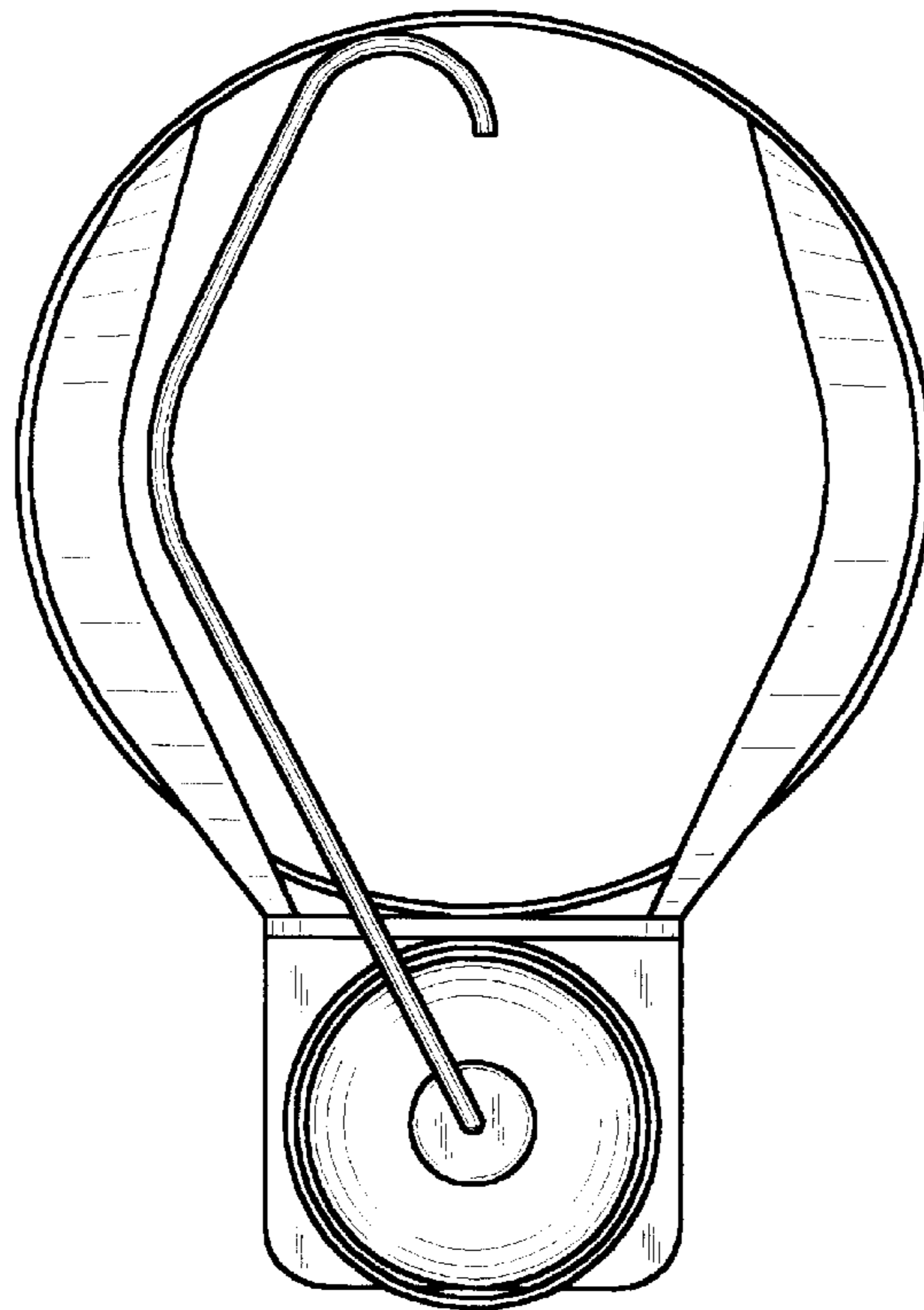


Fig. 5

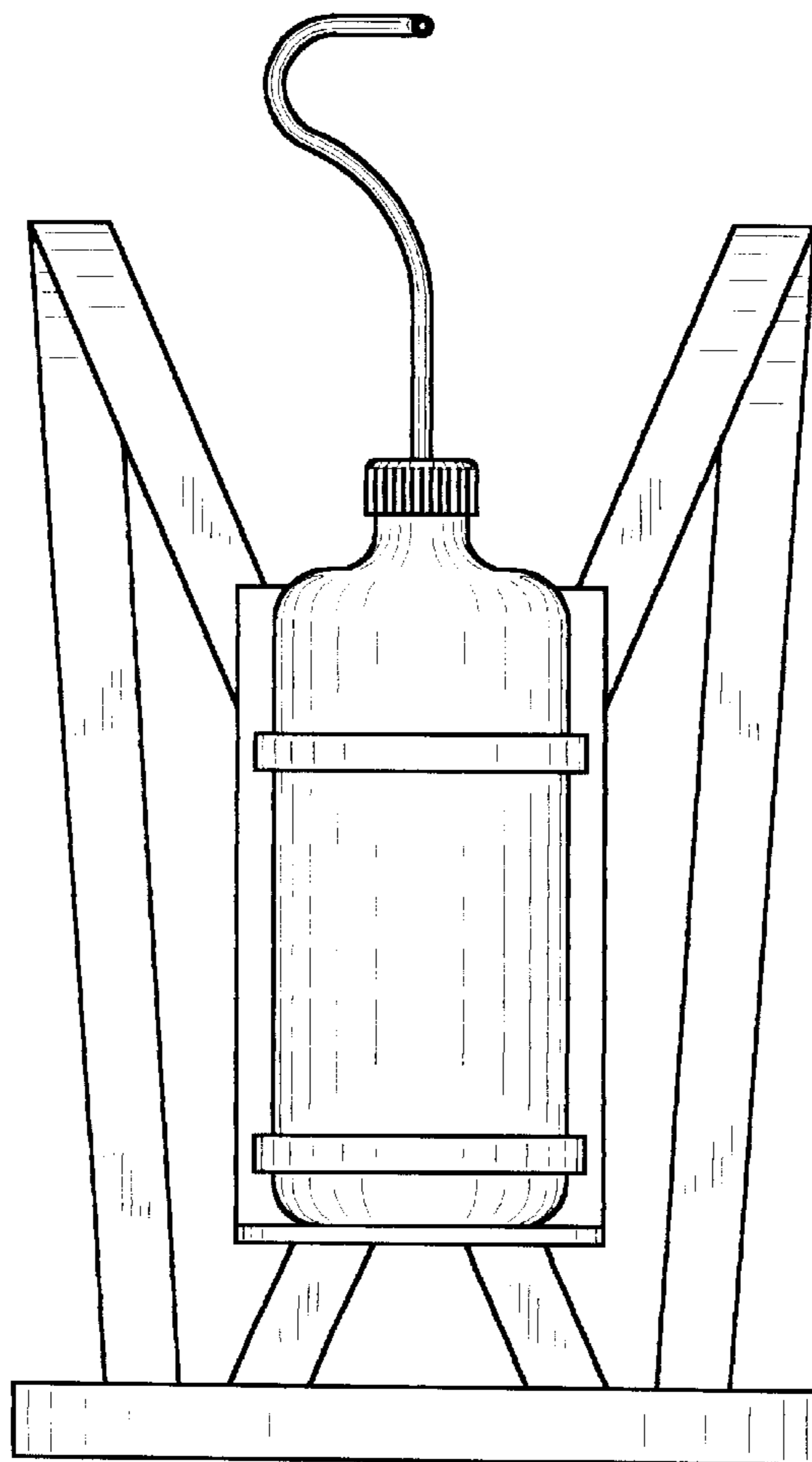


Fig. 1

Fig. 2

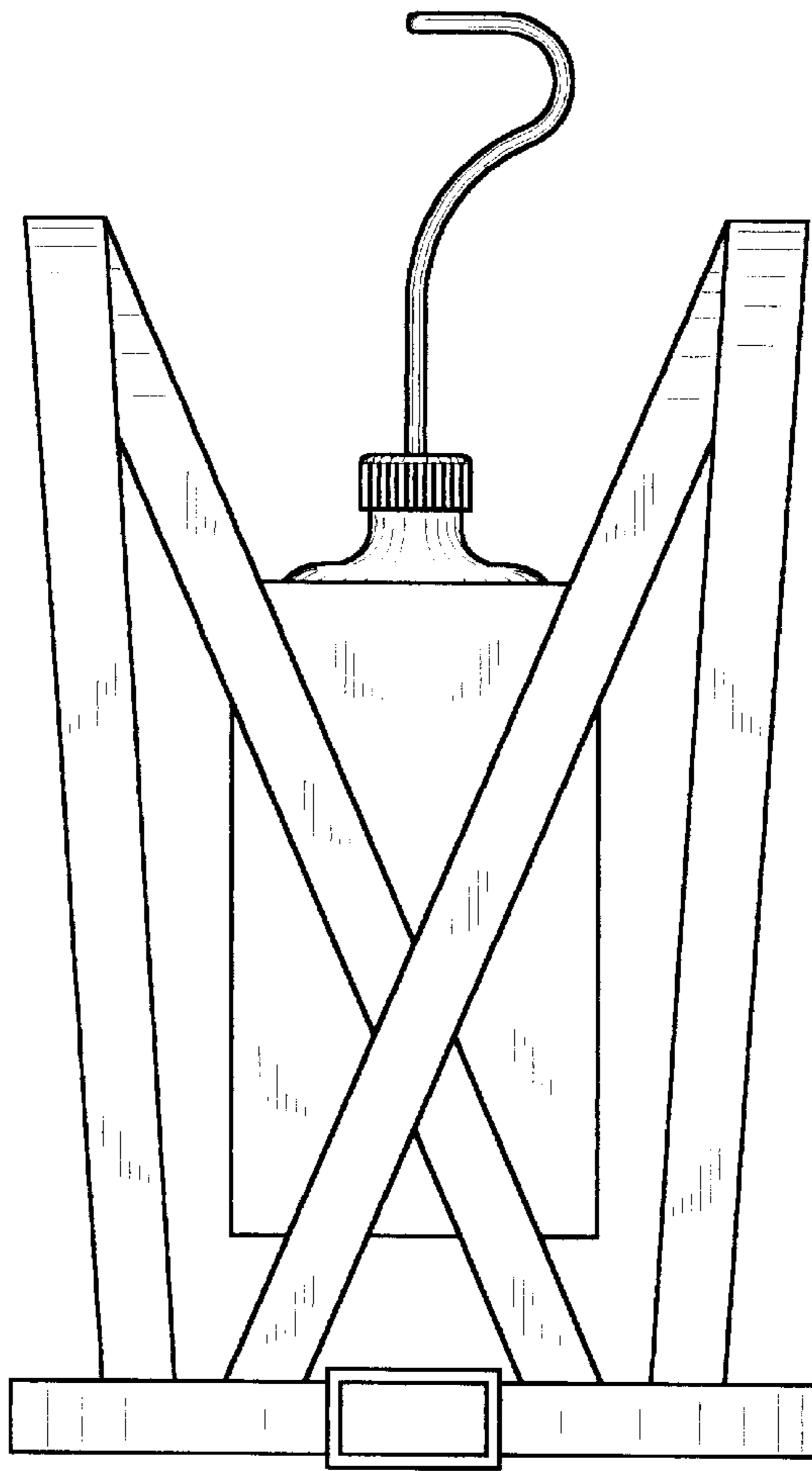
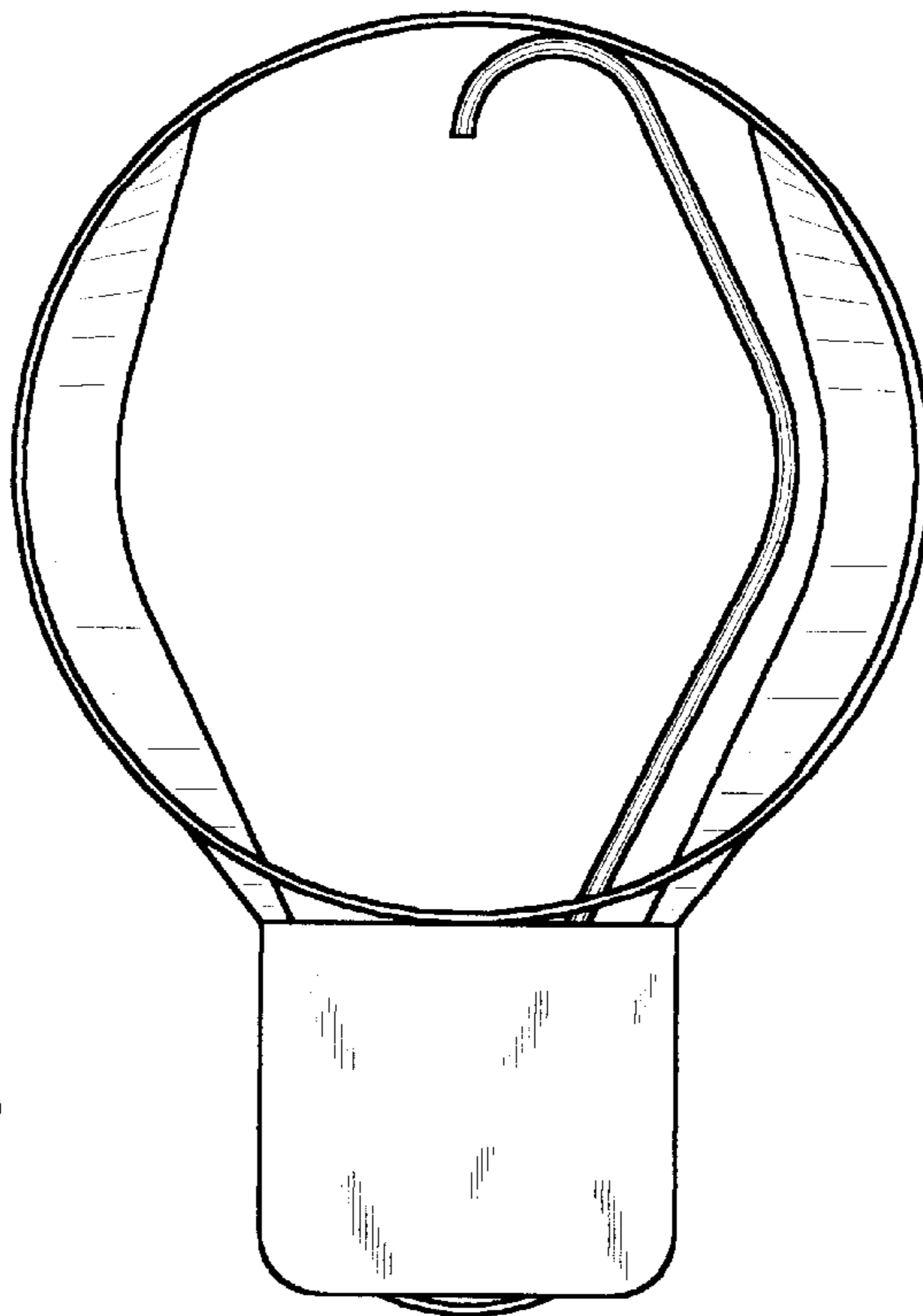


Fig. 6



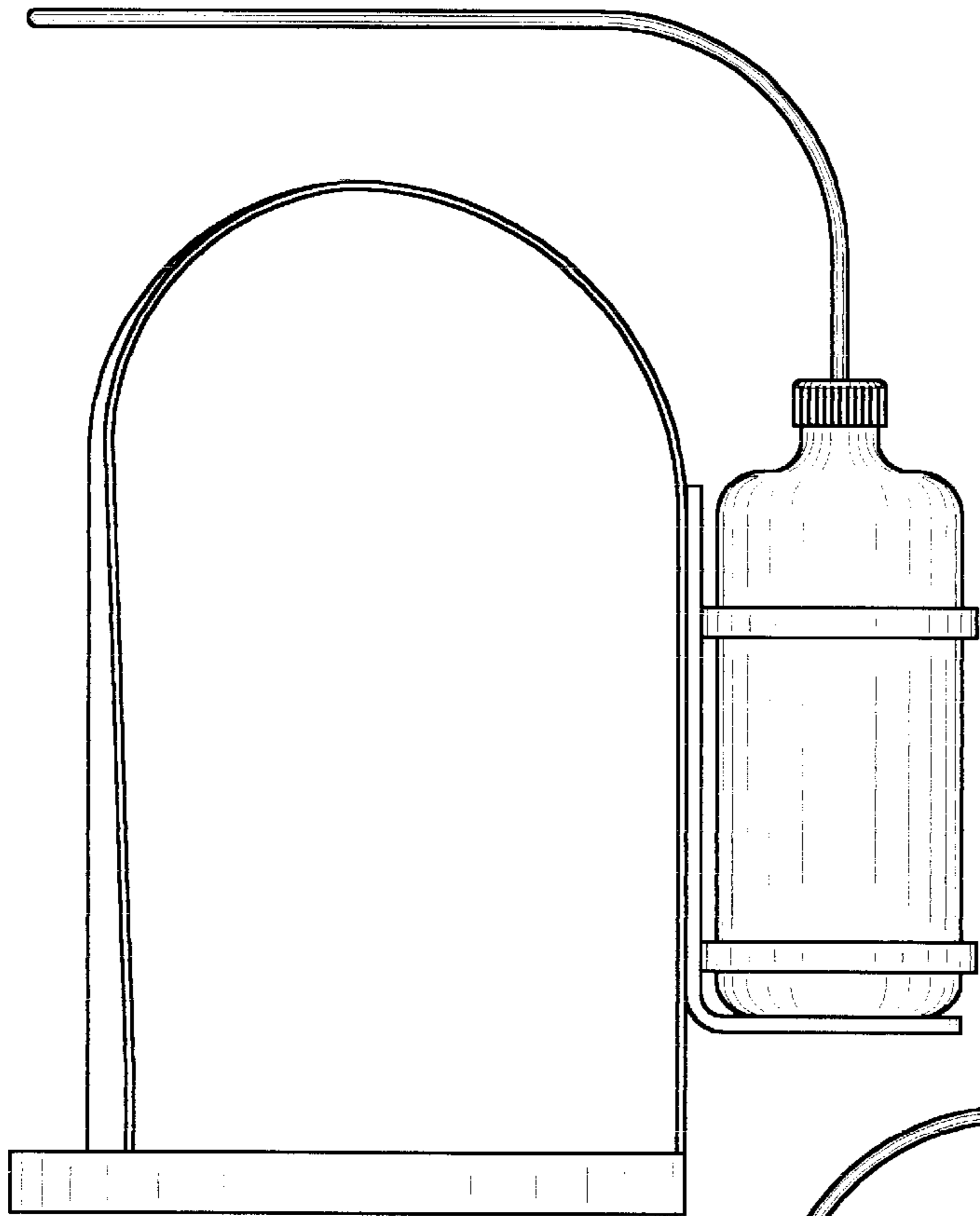


Fig. 3

Fig. 4

