



US00D419754S

United States Patent [19]

Vectirelis, Jr.

[11] Patent Number: **Des. 419,754**

[45] Date of Patent: **** Feb. 1, 2000**

[54] **MOTORCYCLE SLIPPER**

3,396,480 8/1968 Sherman 36/112

[76] Inventor: **Leon Vectirelis, Jr.**, 1210 Highland Ave., Brunswick, Ohio 44212

Primary Examiner—Louis S. Zarfes
Assistant Examiner—G. Andoll
Attorney, Agent, or Firm—Fay, Sharpe, Fagan, Minnich & McKee, LLP

[**] Term: **14 Years**

[21] Appl. No.: **29/083,983**

[57] CLAIM

[22] Filed: **Feb. 19, 1998**

The ornamental design for a motorcycle slipper, as shown and described.

[51] **LOC (7) Cl.** **02-04**

DESCRIPTION

[52] **U.S. Cl.** **D2/898; D2/897; D12/110; D21/538; D21/432**

[58] **Field of Search** D2/909, 910, 913–917, D2/919, 922, 898; 36/7.1, 7.1 R–7.8 R, 112, 11.5, 72 R, 72 B, 9 R; D12/107, 110 R; D21/530, 632 R

FIG. 1 is a front perspective view of a motorcycle slipper showing my new design;
FIG. 2 is a left side elevational view thereof;
FIG. 3 is a top plan view thereof;
FIG. 4 is a bottom plan view thereof;
FIG. 5 is a front elevational view thereof; and,
FIG. 6 is a rear elevational view thereof.

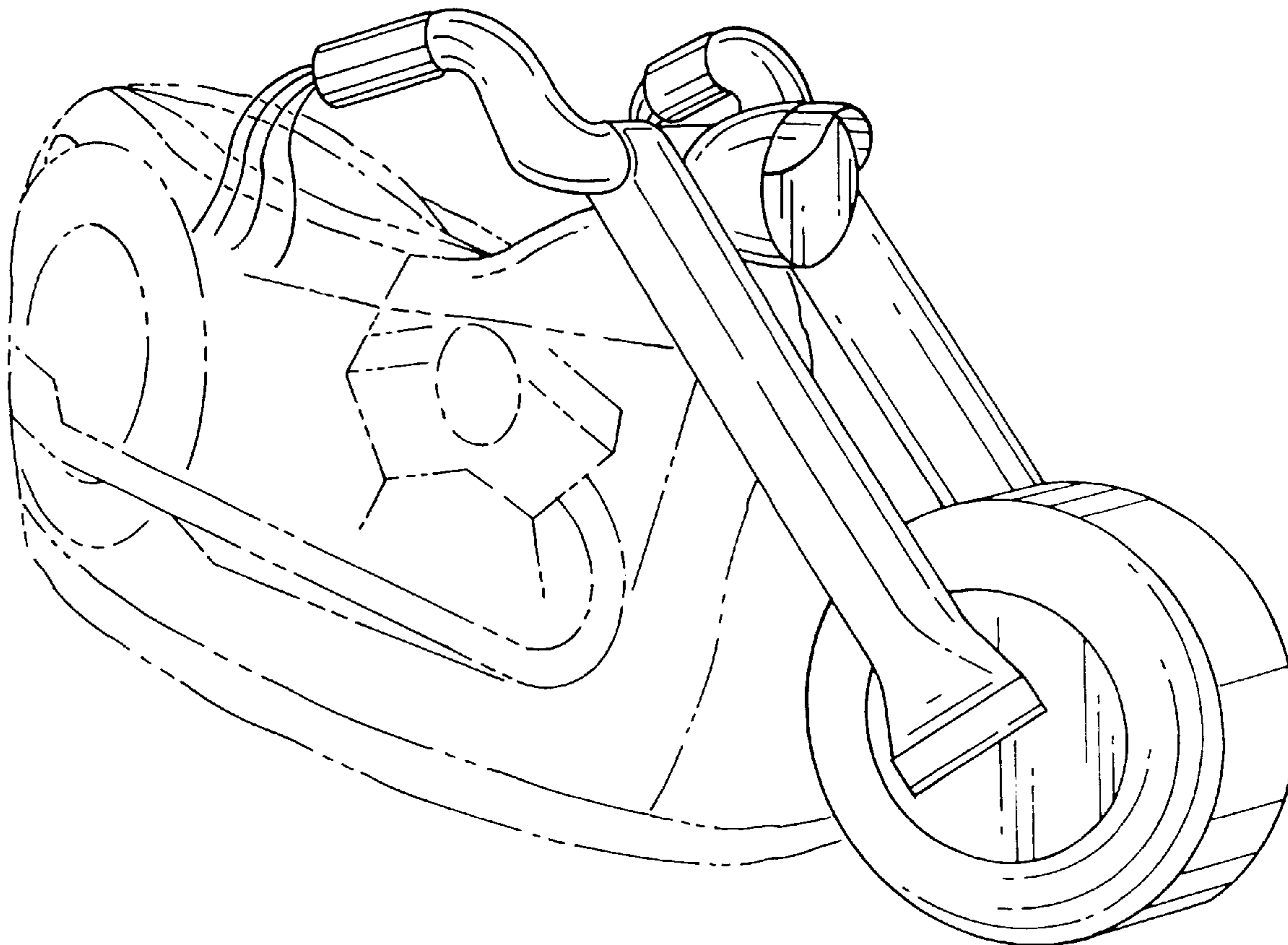
[56] References Cited

U.S. PATENT DOCUMENTS

- D. 226,931 5/1973 Wormser D21/432
- D. 233,357 10/1974 Krumholz D21/538
- D. 356,434 3/1995 Englehart, Jr. D2/898
- D. 394,137 5/1998 Nadel D2/898

The parts shown in broken lines in FIGS. 1–6 are shown for illustrative purposes only and form no part of the claimed design.

1 Claim, 3 Drawing Sheets



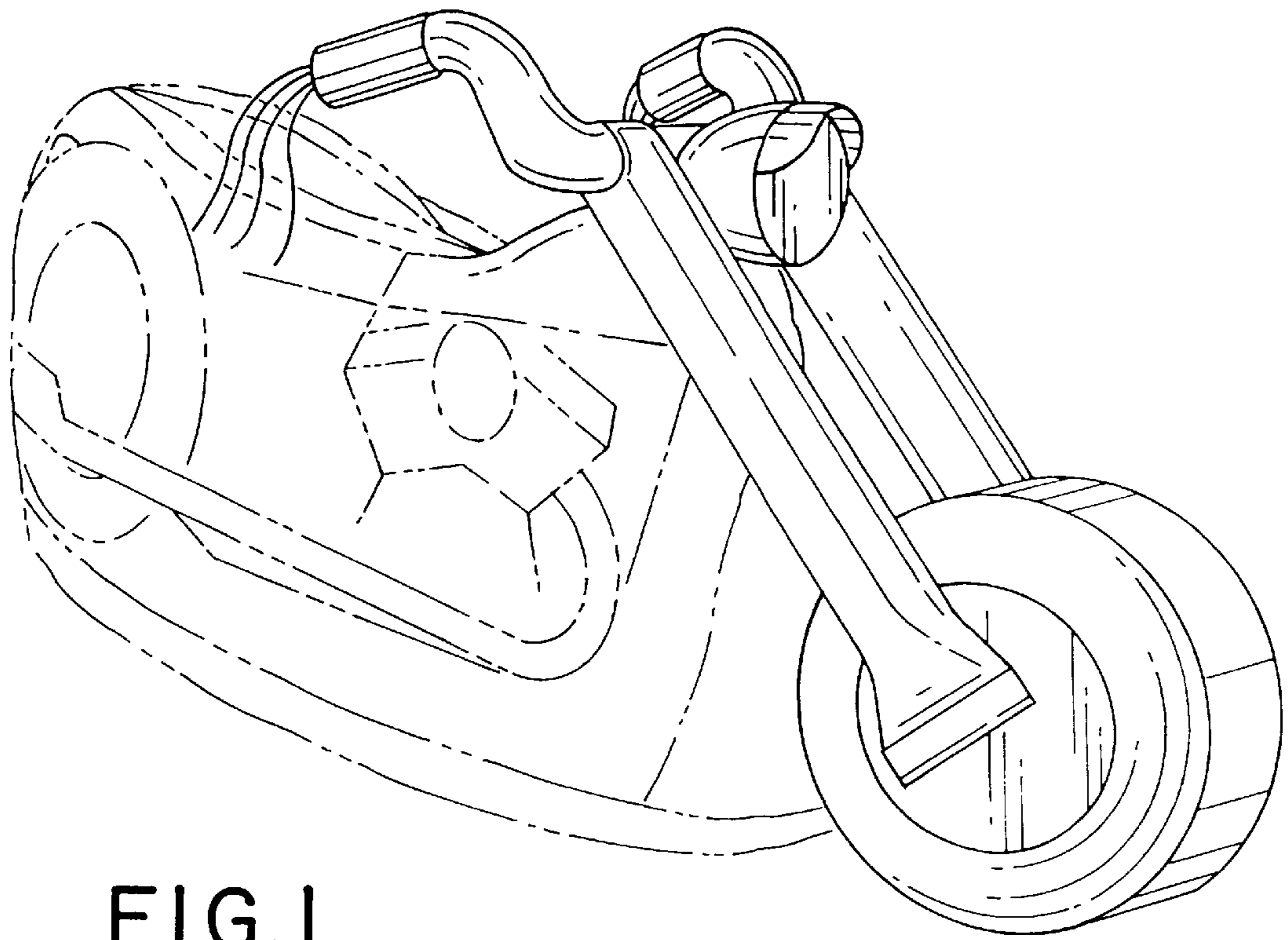


FIG. 1

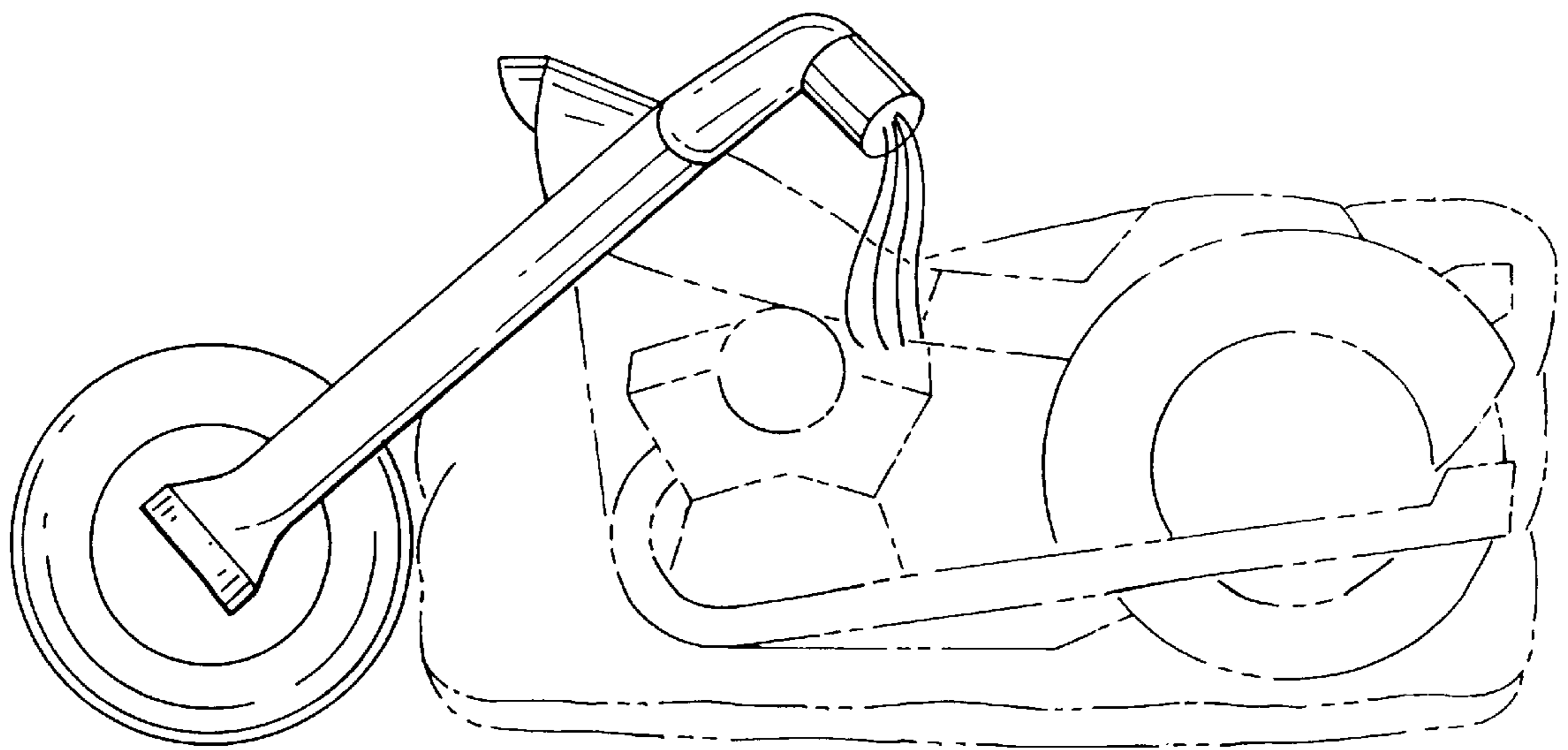


FIG. 2

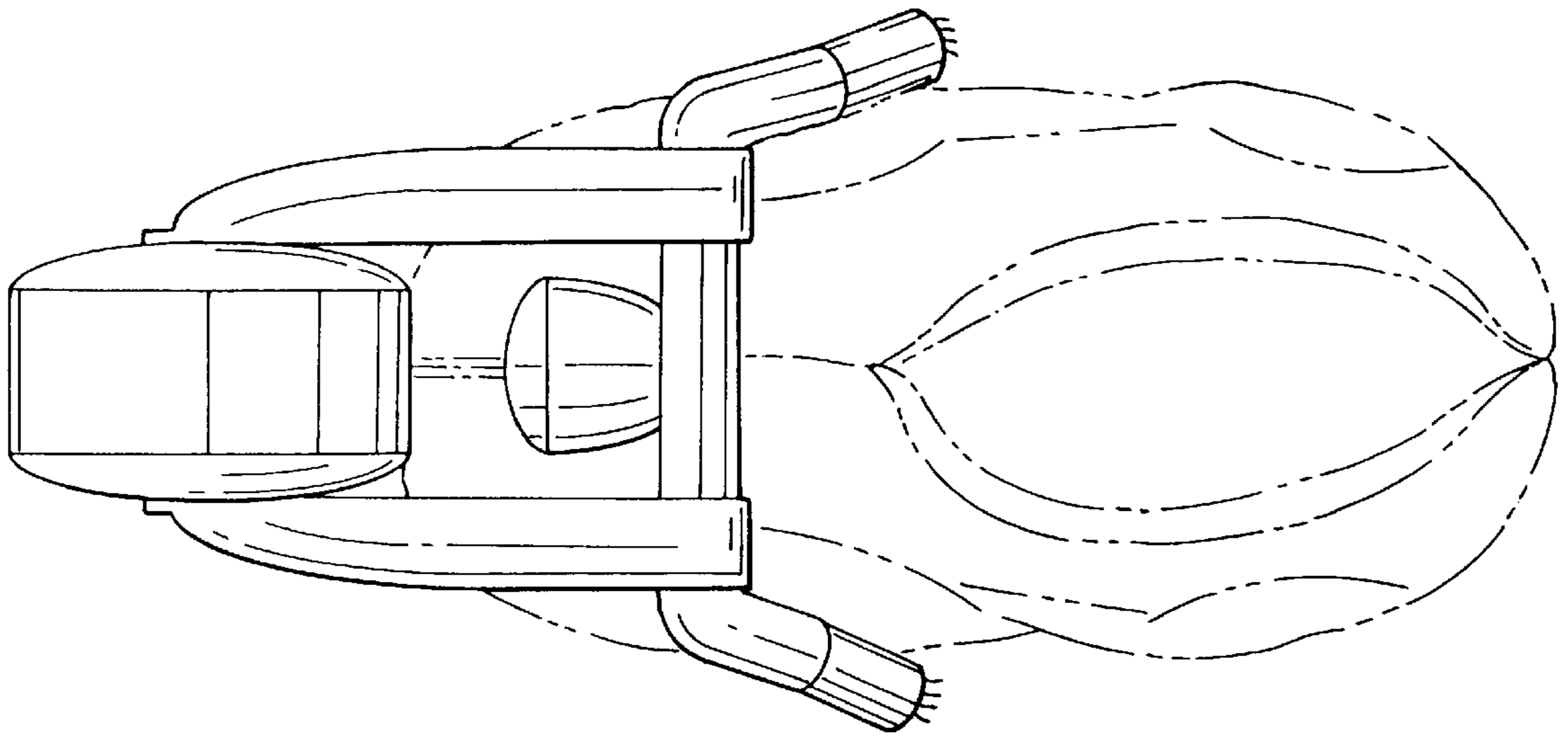


FIG. 3

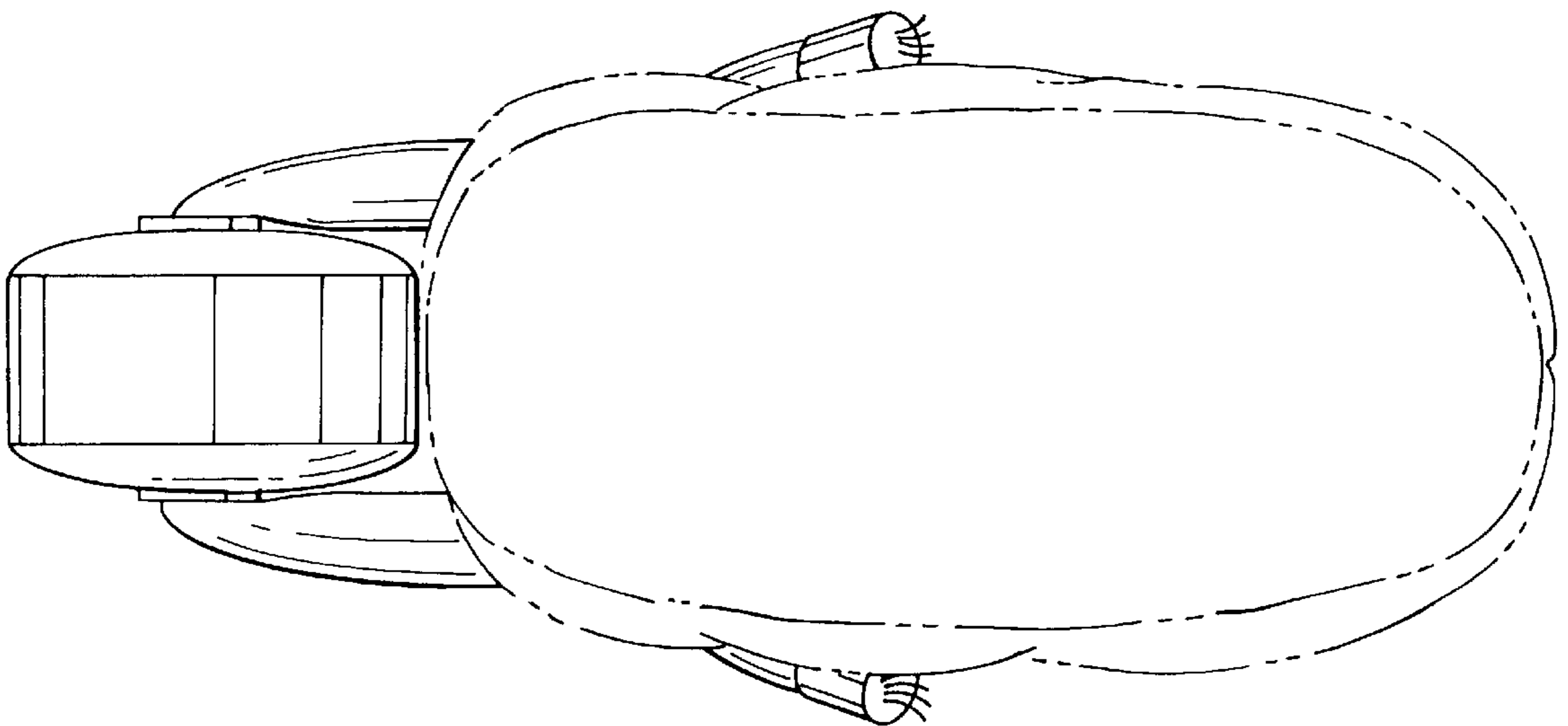


FIG. 4

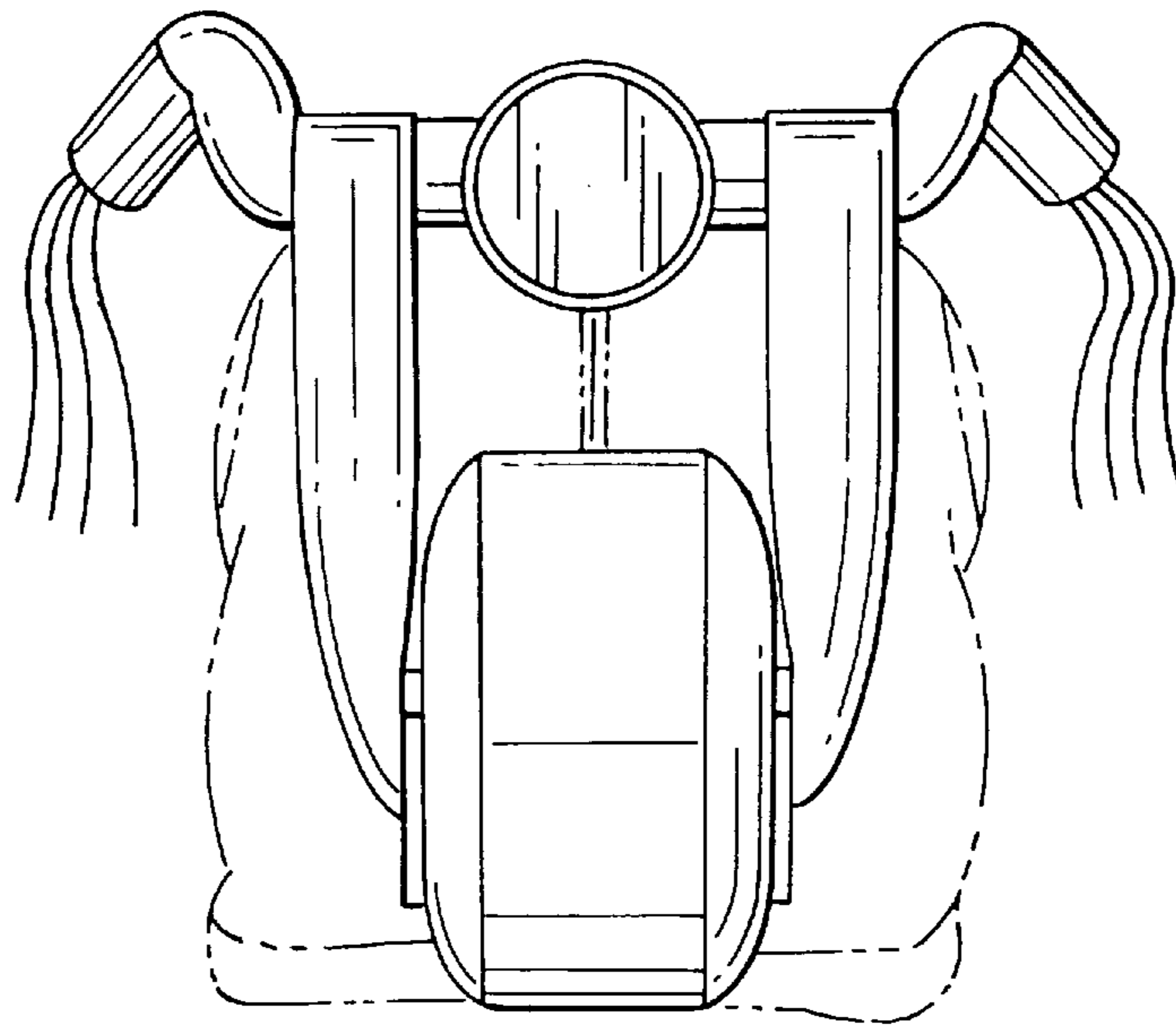


FIG. 5

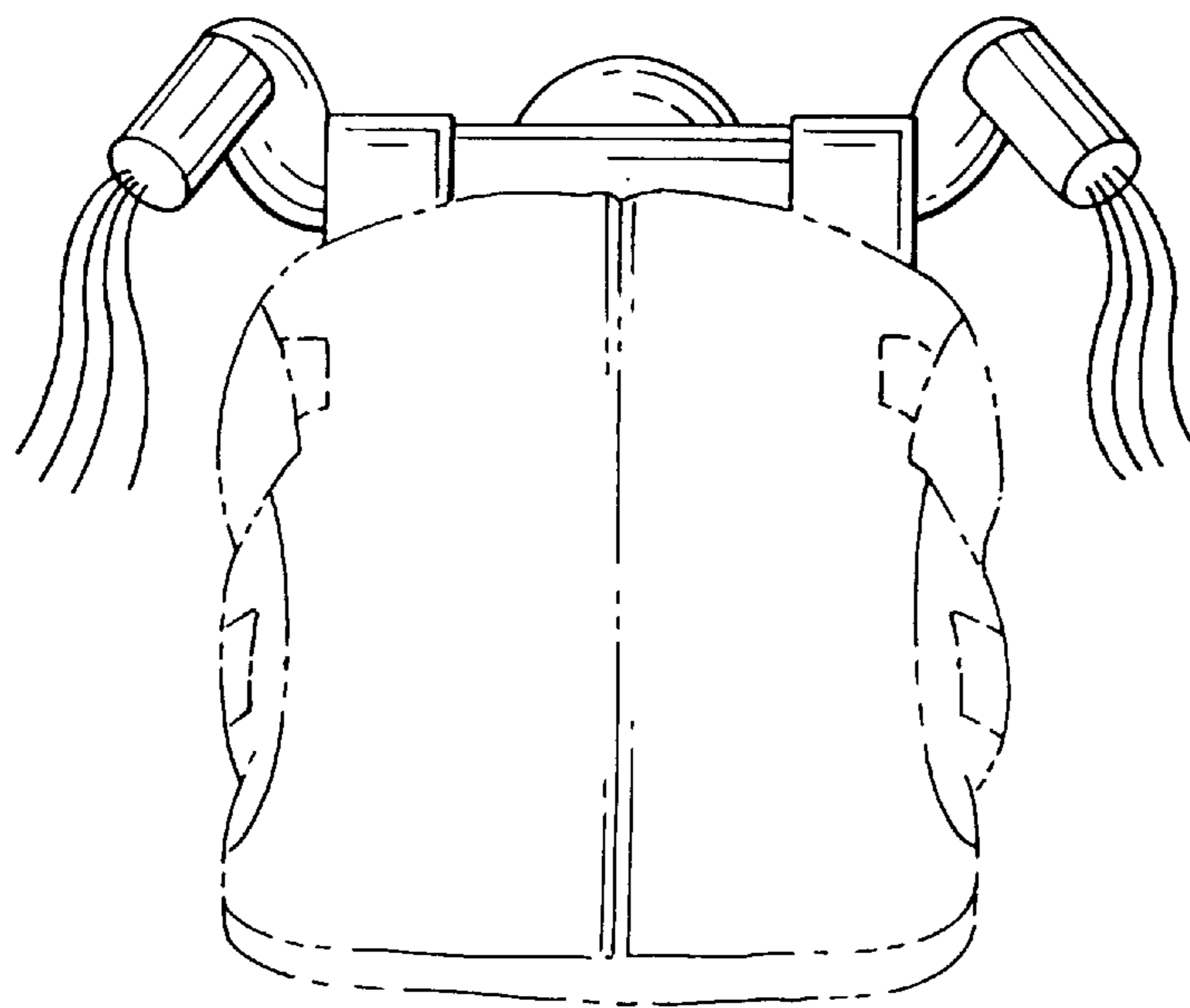


FIG. 6