



US00D419742S

# United States Patent [19]

Abbestam

[11] **Patent Number: Des. 419,742**

[45] **Date of Patent: \*\* Jan. 25, 2000**

[54] **CHAIN-LINK TO A CONVEYOR**

[75] Inventor: **Göran Abbestam**, Partille, Sweden

[73] Assignee: **FlexLink Systems AB**, Sweden

[\*\*] Term: **14 Years**

[21] Appl. No.: **29/086,150**

[22] Filed: **Apr. 6, 1998**

[30] **Foreign Application Priority Data**

Oct. 6, 1997 [SE] Sweden ..... 97-2208

[51] **LOC (7) Cl.** ..... **12-05**

[52] **U.S. Cl.** ..... **D34/29; D8/499**

[58] **Field of Search** ..... D34/28, 35, 29;  
D8/499; 198/850, 852, 853, 848, 849

[56] **References Cited**

**U.S. PATENT DOCUMENTS**

D. 202,814	11/1965	Hall	.....	D34/29
D. 231,633	5/1974	Totani	.....	D34/29
D. 289,608	5/1987	Schroeder et al.	.....	D8/499
D. 332,213	1/1993	Woyach et al.	.....	D8/499
D. 354,385	1/1995	Ellens et al.	.....	D34/29

3,768,631 10/1973 Wahren ..... 198/850  
4,676,368 6/1987 Damkjar ..... 198/852

*Primary Examiner*—Freda Nunn  
*Assistant Examiner*—Cynthia E. Ramirez  
*Attorney, Agent, or Firm*—Lerner, David, Littenberg,  
Krumholz & Mentlik, LLP

[57] **CLAIM**

The ornamental design for a chain-link to a conveyor, as shown and described.

**DESCRIPTION**

FIG. 1 is a top, rear, perspective view of a chain-link to a conveyor showing my new design;  
FIG. 2 is a top, front, perspective view of the chain-link to a conveyor shown in FIG. 1;  
FIG. 3 is a bottom, front, perspective view of the chain-link to a conveyor shown in FIG. 1;  
FIG. 4 is a bottom, rear, perspective view of the chain-link to a conveyor shown in FIG. 1;  
FIG. 5 is a right side, perspective view of the chain-link to a conveyor shown in FIG. 1; and,  
FIG. 6 is a left side, perspective view of the chain-link to a conveyor shown in FIG. 1.

**1 Claim, 3 Drawing Sheets**

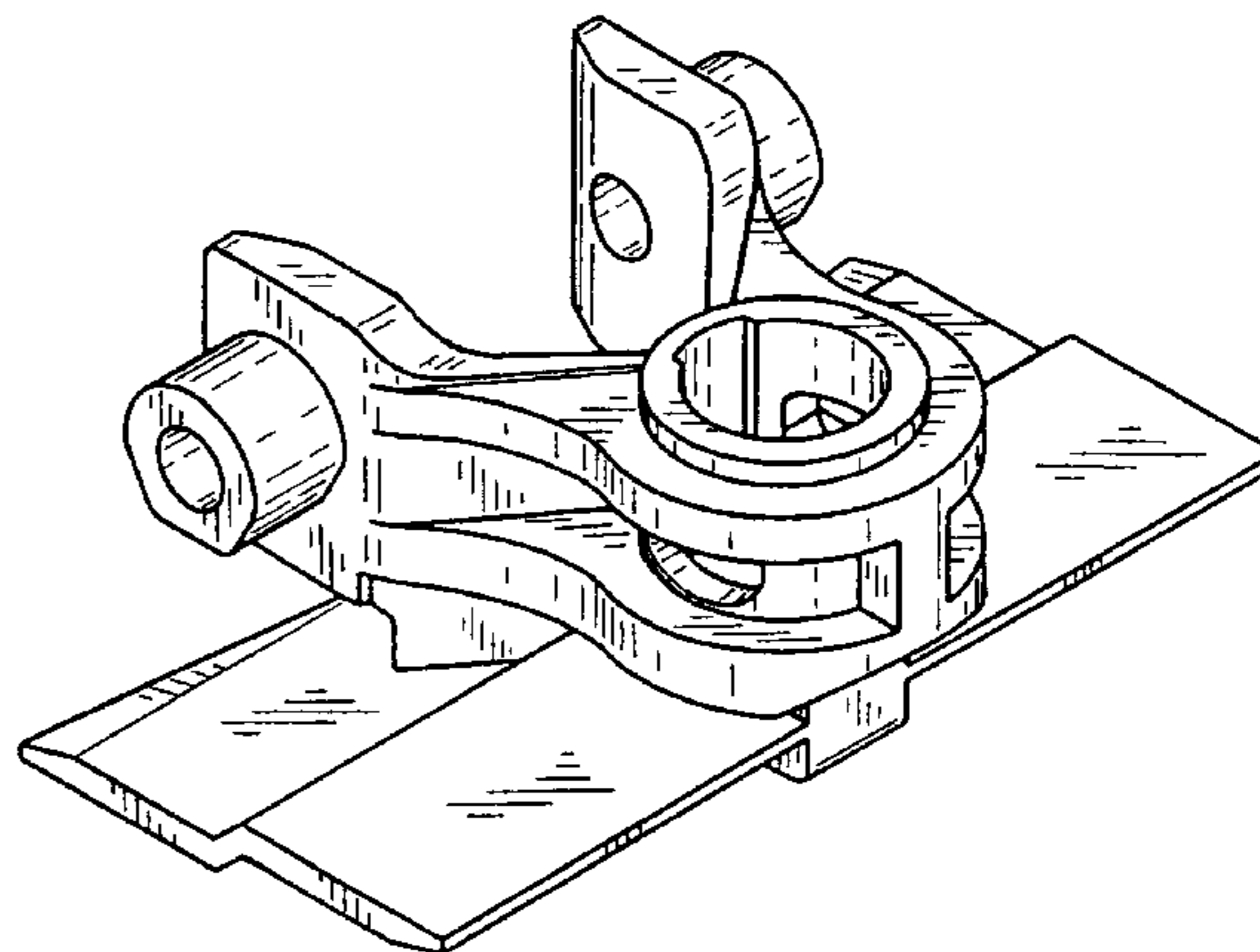
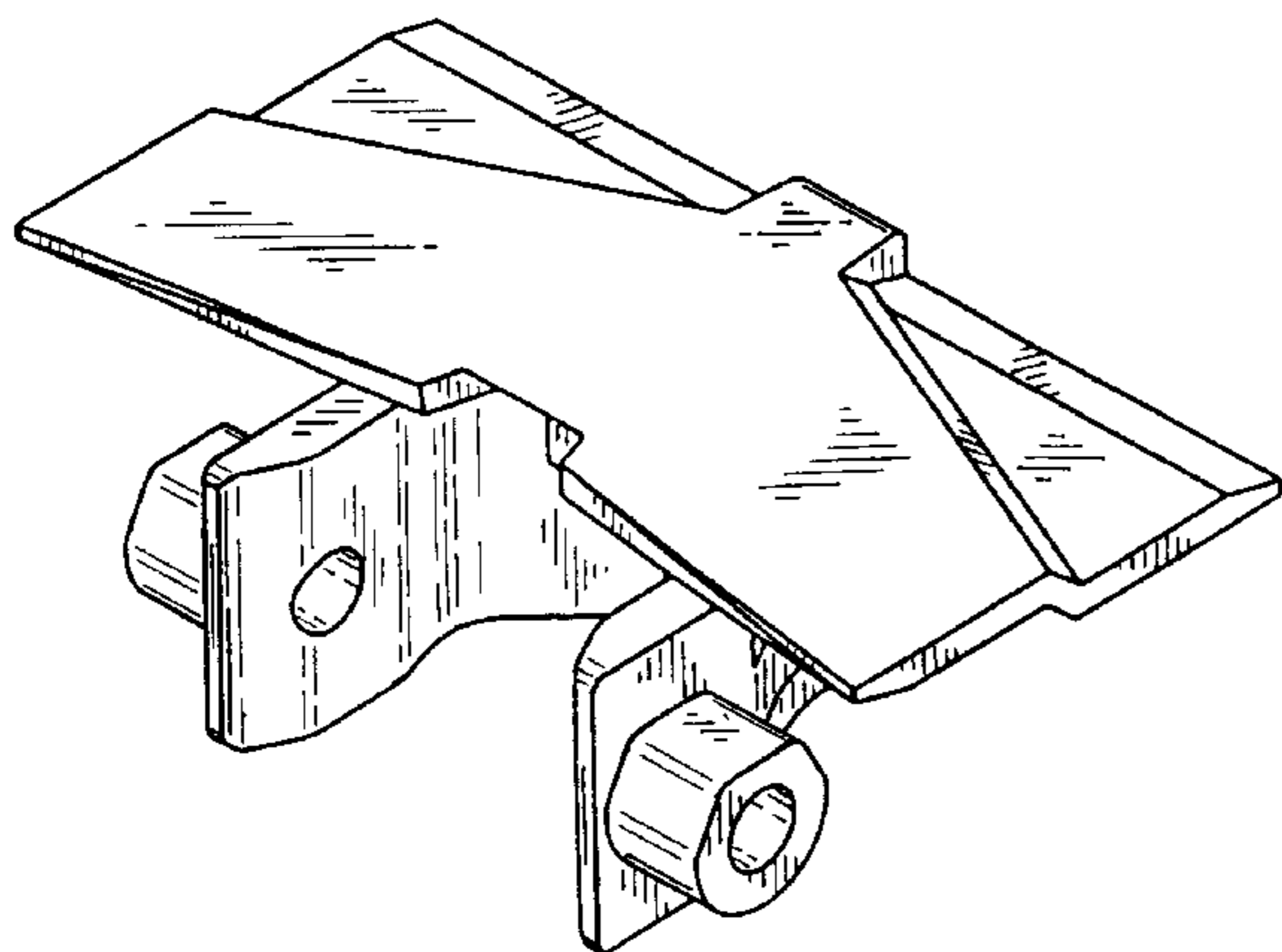


FIG. 1

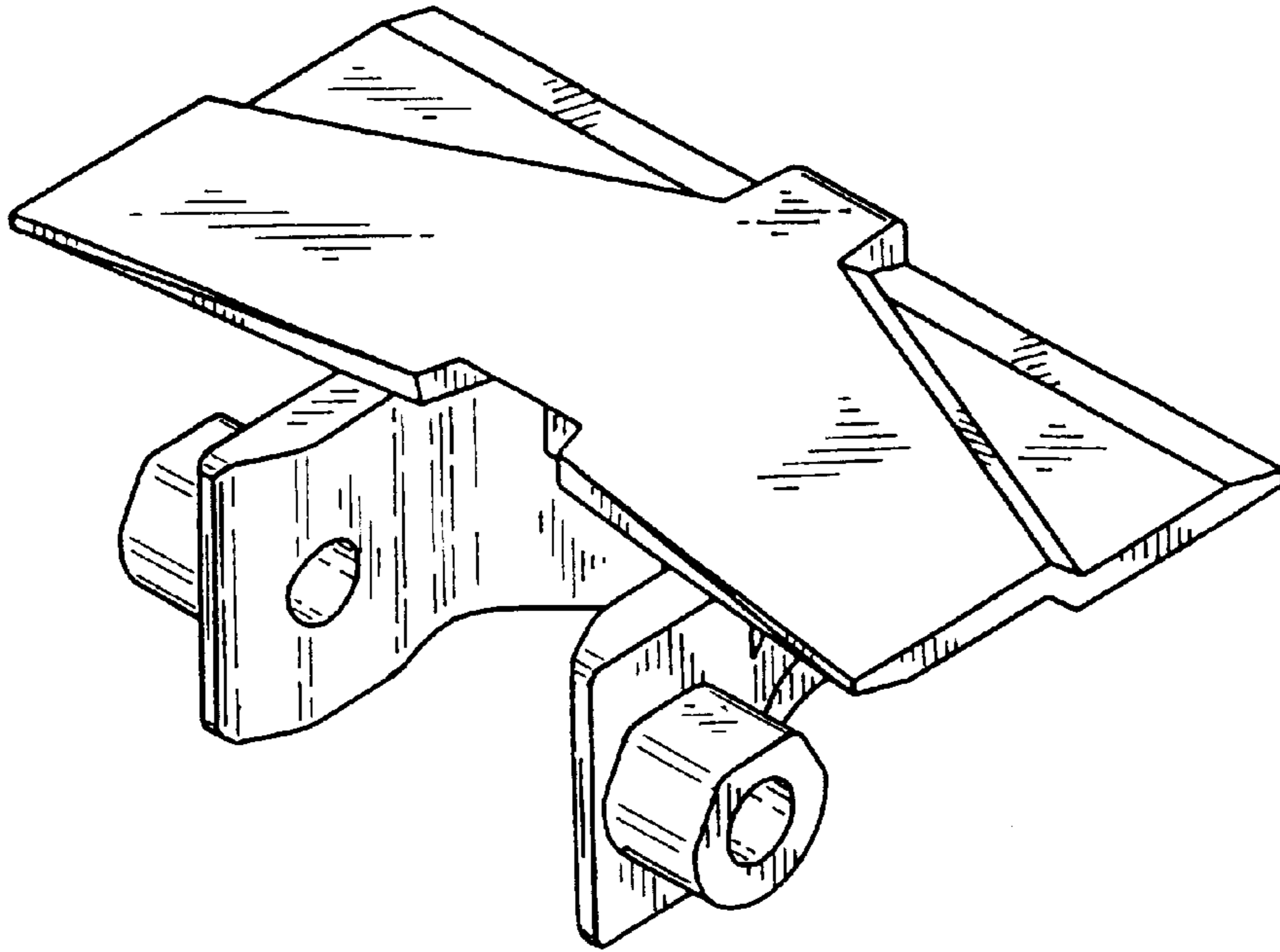


FIG. 2

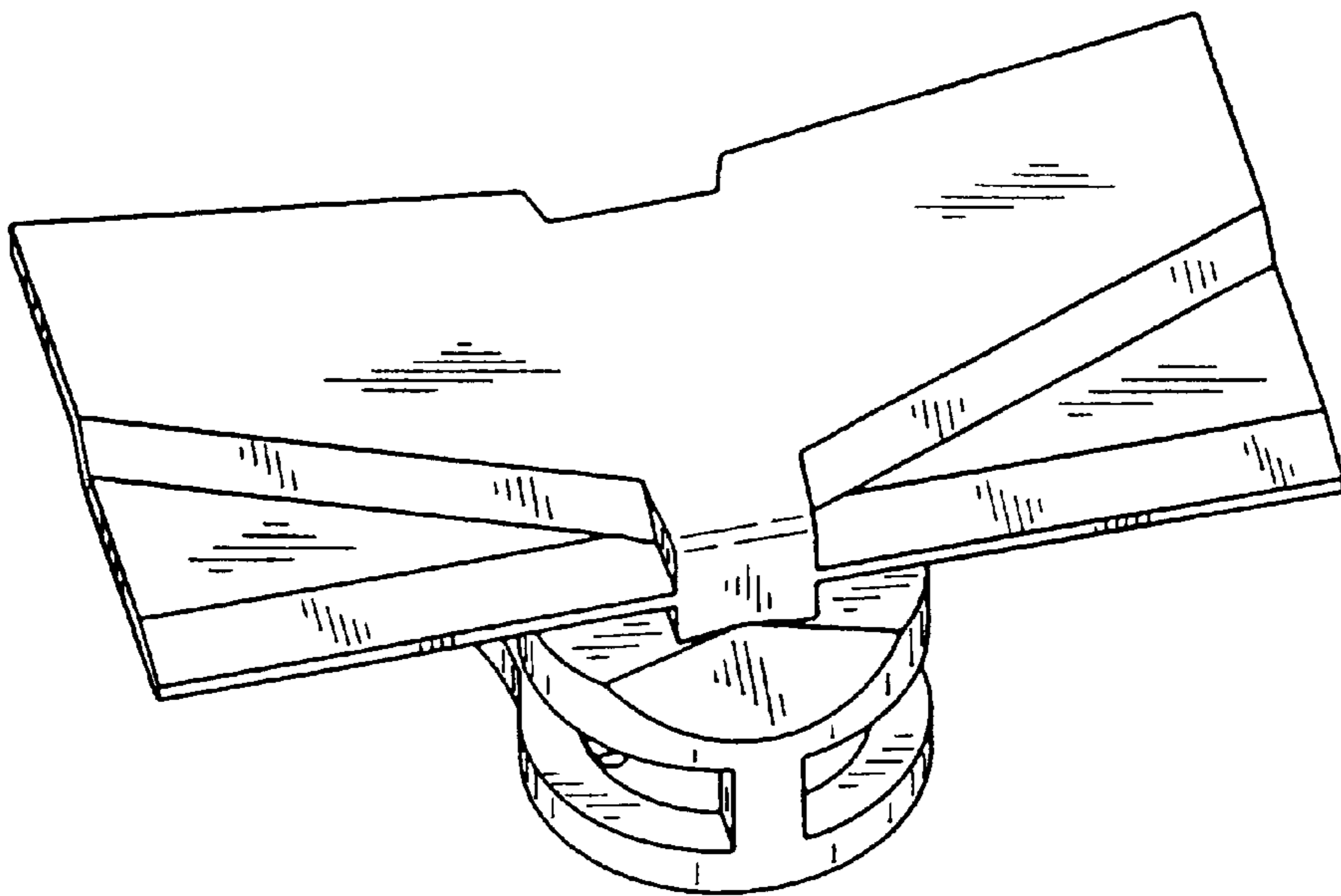


FIG. 3

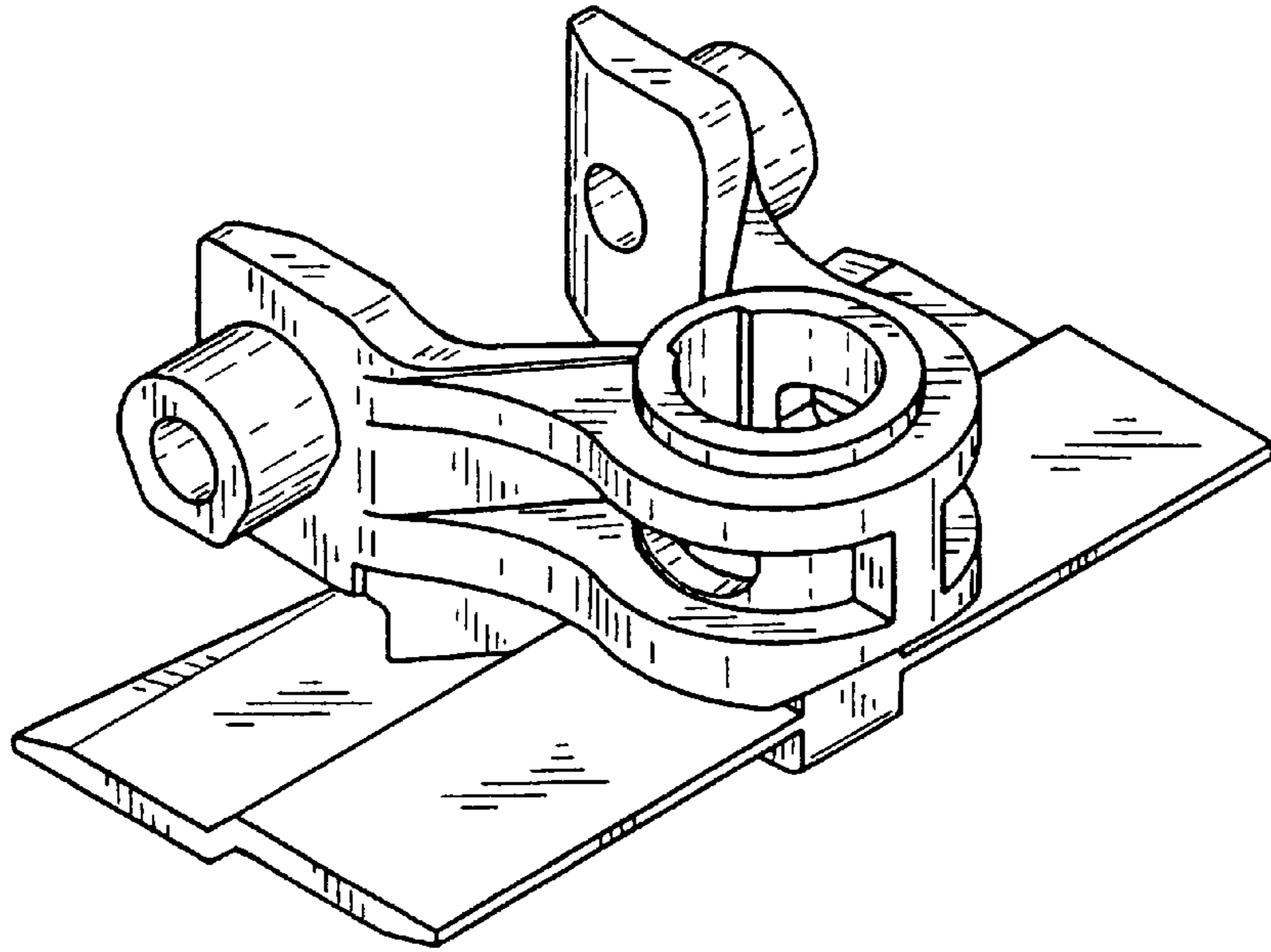
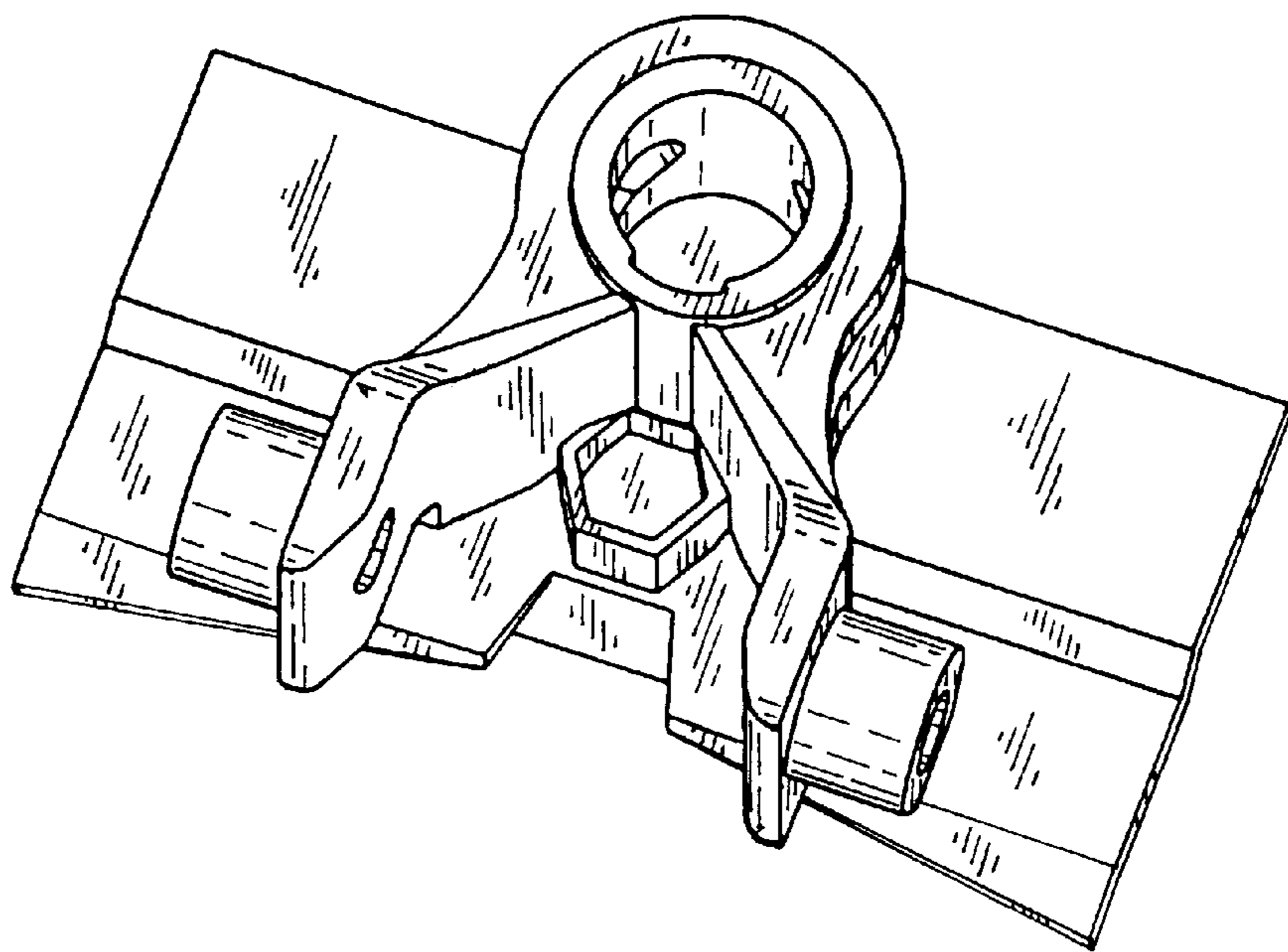
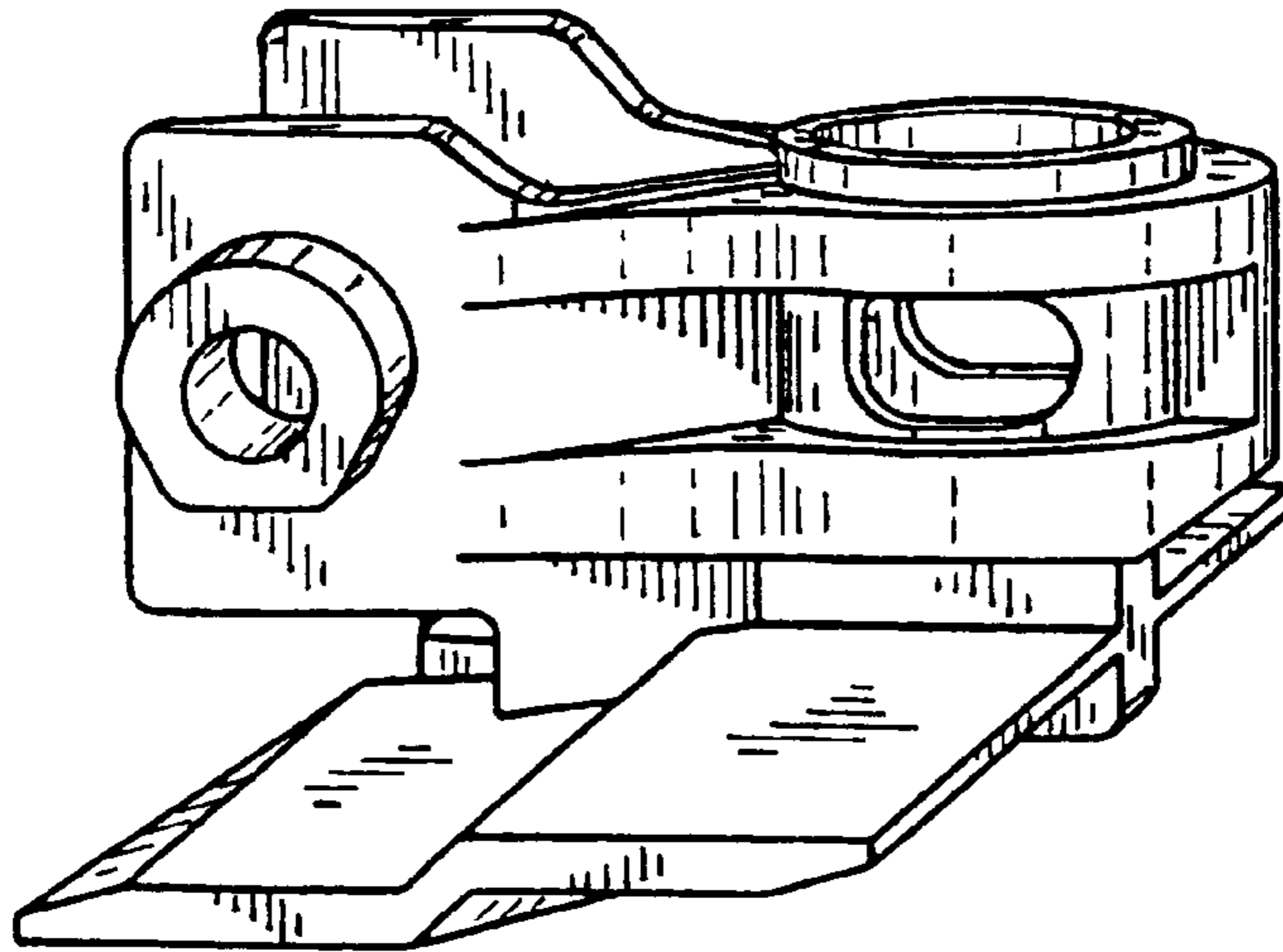


FIG. 4



*FIG. 5*



*FIG. 6*

