



US00D419741S

United States Patent [19]
Johansson

[11] **Patent Number: Des. 419,741**

[45] **Date of Patent: ** Jan. 25, 2000**

[54] **FORKLIFT TROLLEY**

[76] Inventor: **Rutger Johansson**, Smedgatan 20,
SE-662 00 Åmål, Sweden

[**] Term: **14 Years**

[21] Appl. No.: **29/089,422**

[22] Filed: **Jun. 15, 1998**

[30] **Foreign Application Priority Data**

Dec. 15, 1997 [SE] Sweden 972687

[51] **LOC (7) Cl.** **12-05**

[52] **U.S. Cl.** **D34/28; D34/31; D34/34**

[56] **References Cited**

U.S. PATENT DOCUMENTS

- D. 346,680 5/1994 Lee D34/31
- D. 401,716 11/1998 Marcel D34/34
- 3,026,089 3/1962 Meister 280/43.12

- 3,261,617 7/1966 Becker et al. 280/43.12
- 3,286,985 11/1966 Edera 280/43.23
- 4,589,669 5/1986 Kedem 280/43.12
- 4,669,561 6/1987 Sheen 180/19.1

Primary Examiner—Susan J. Lucas
Assistant Examiner—Cynthia E Ramirez
Attorney, Agent, or Firm—Dvorak & Orum

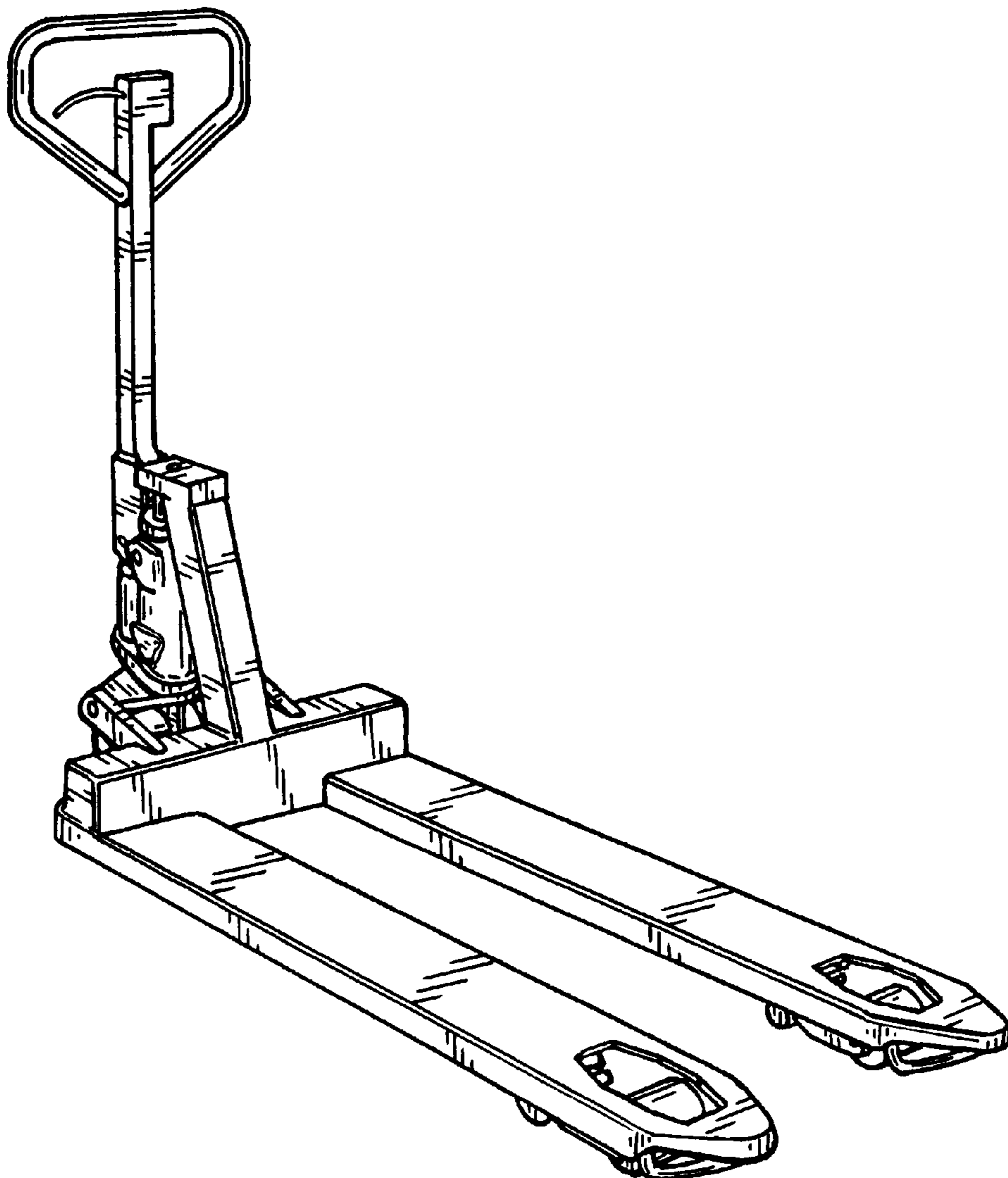
[57] **CLAIM**

The ornamental design for the forklift trolley, as shown.

DESCRIPTION

FIG. 1 is a perspective view of the forklift trolley.
FIG. 2 is a left side elevational view.
FIG. 3 is a top plan view.
FIG. 4 is a right side elevational view.
FIG. 5 is a bottom plan view.
FIG. 6 is a front elevational view; and,
FIG. 7 is a rear elevational view.

1 Claim, 4 Drawing Sheets



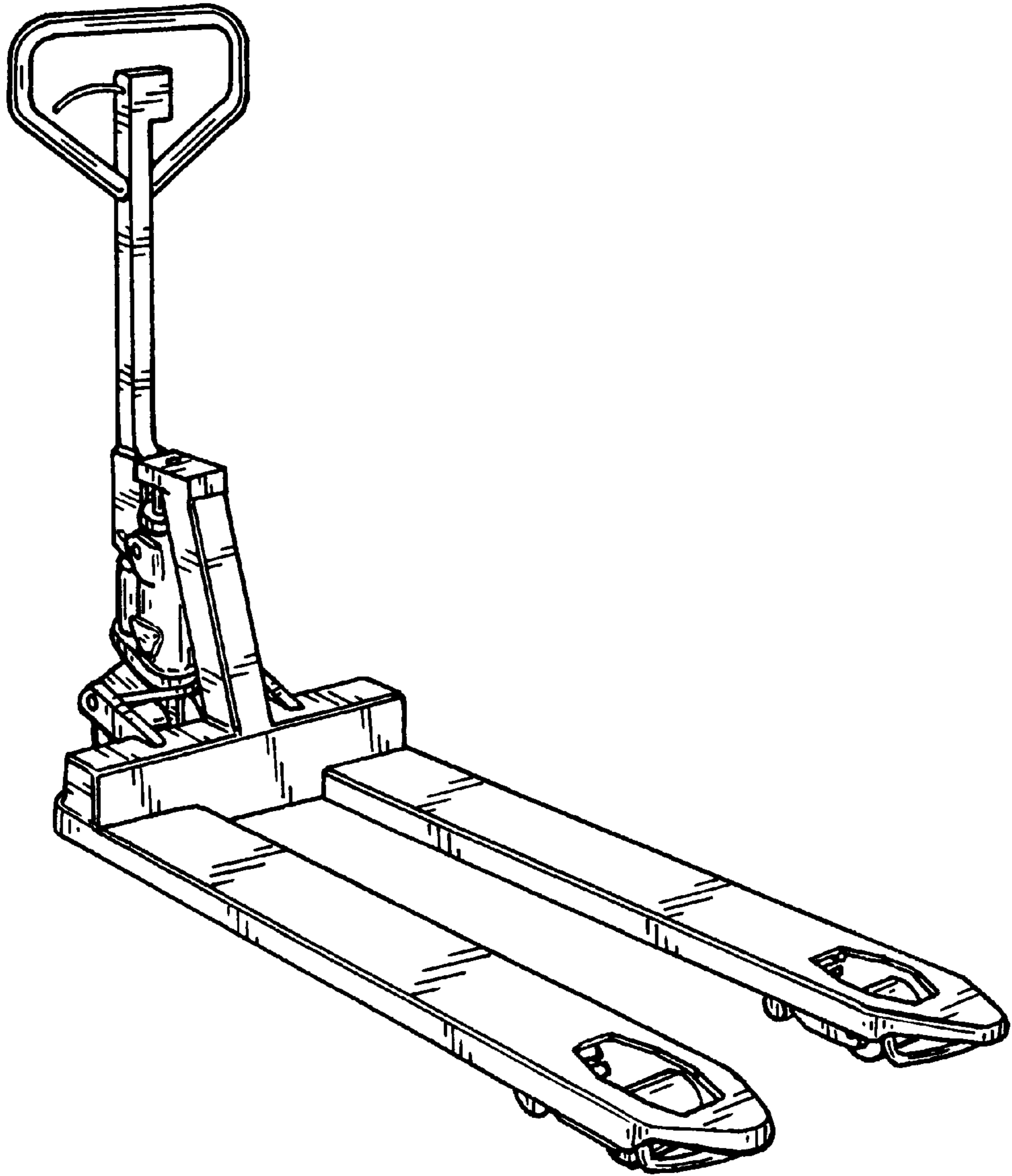


FIG. 1

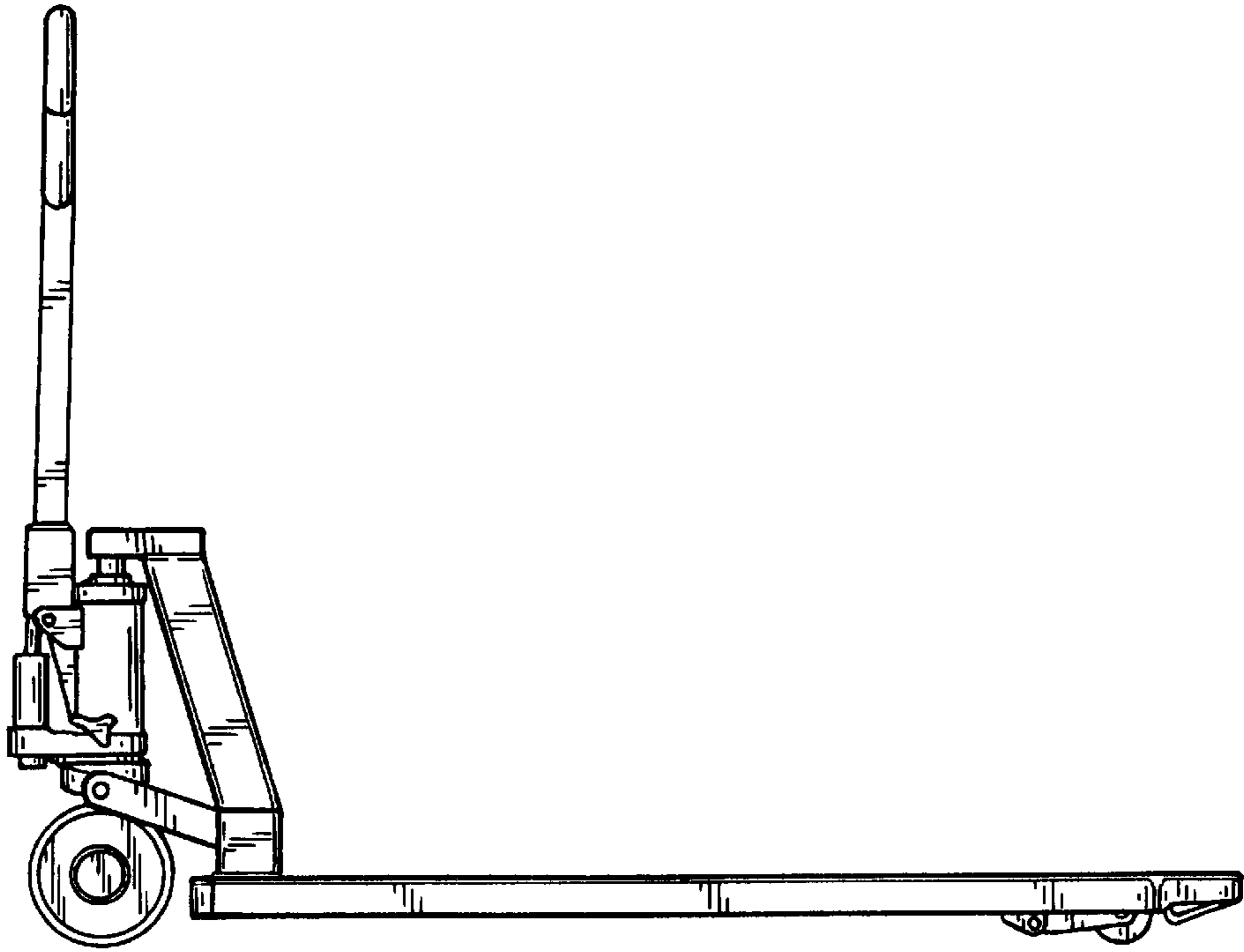


FIG. 2

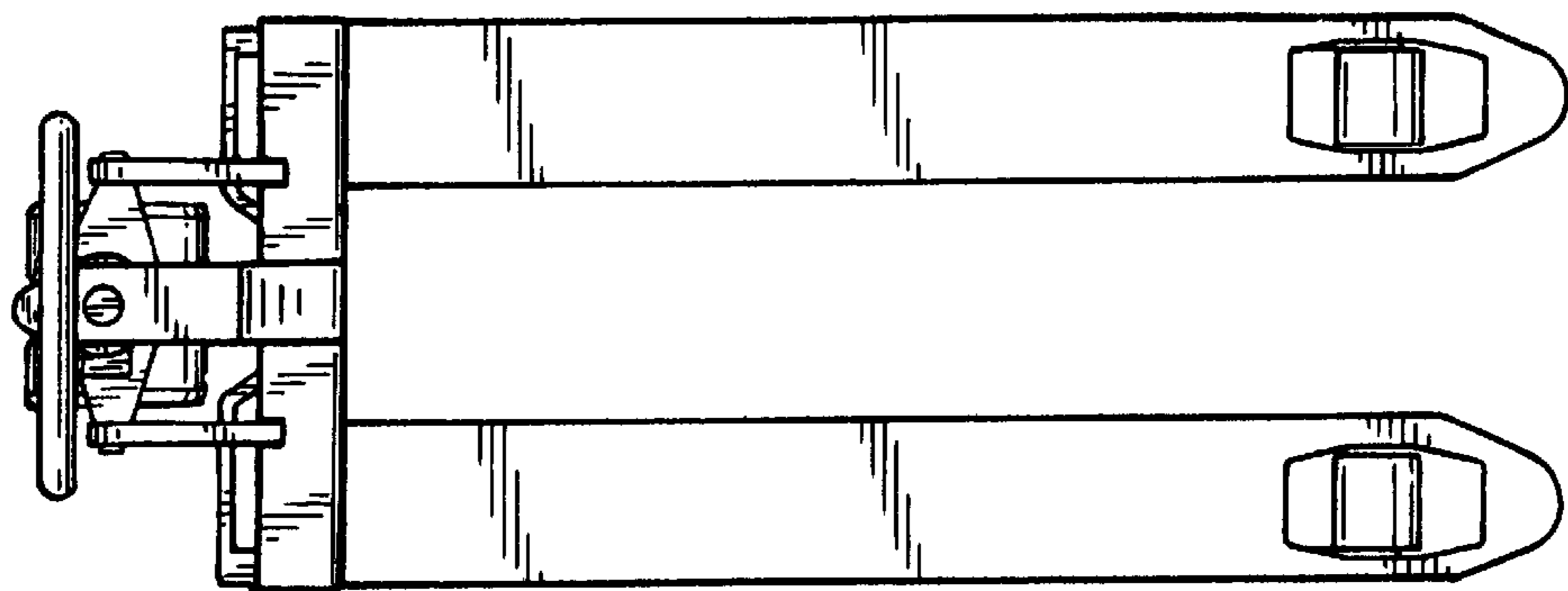


FIG. 3

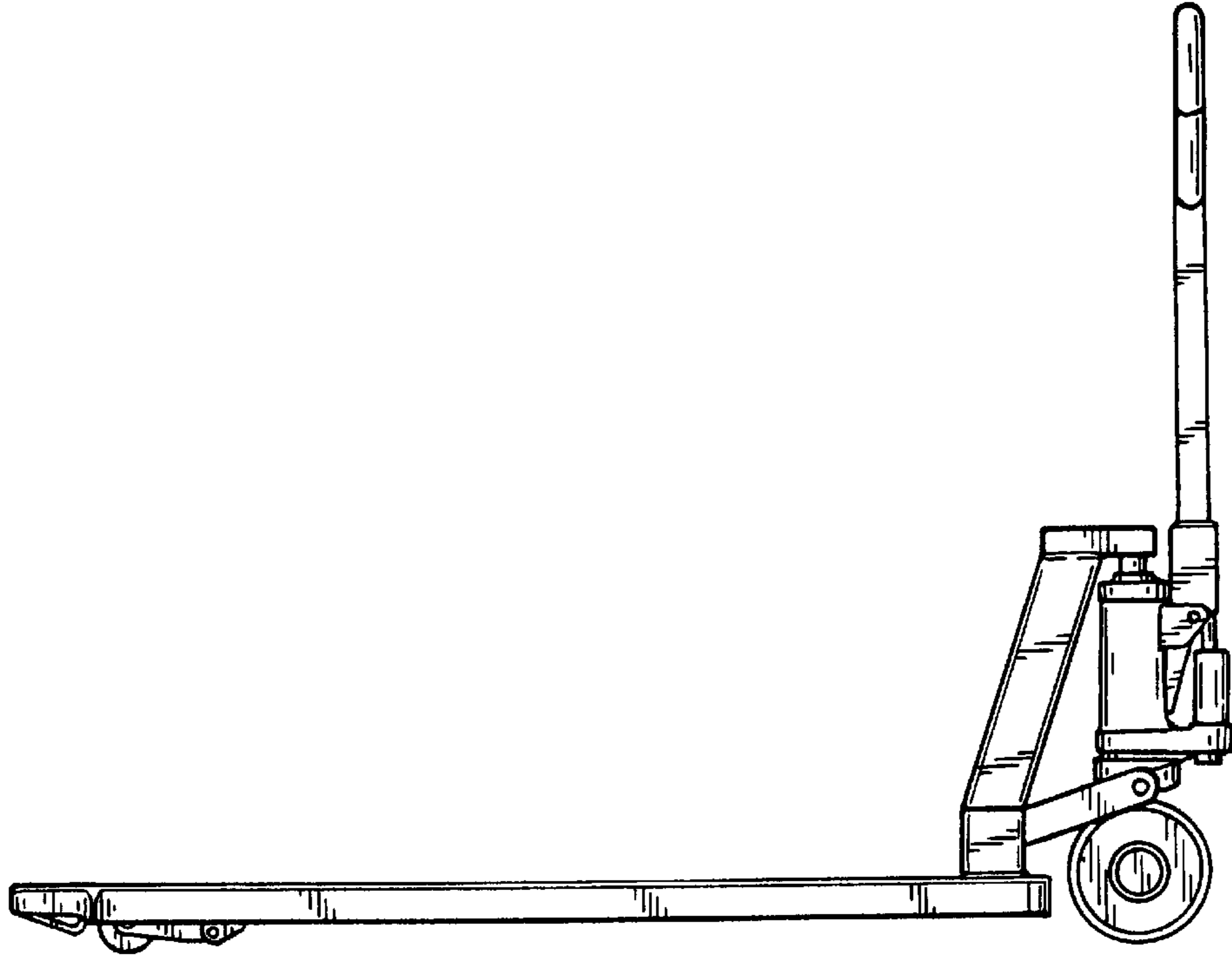


FIG. 4

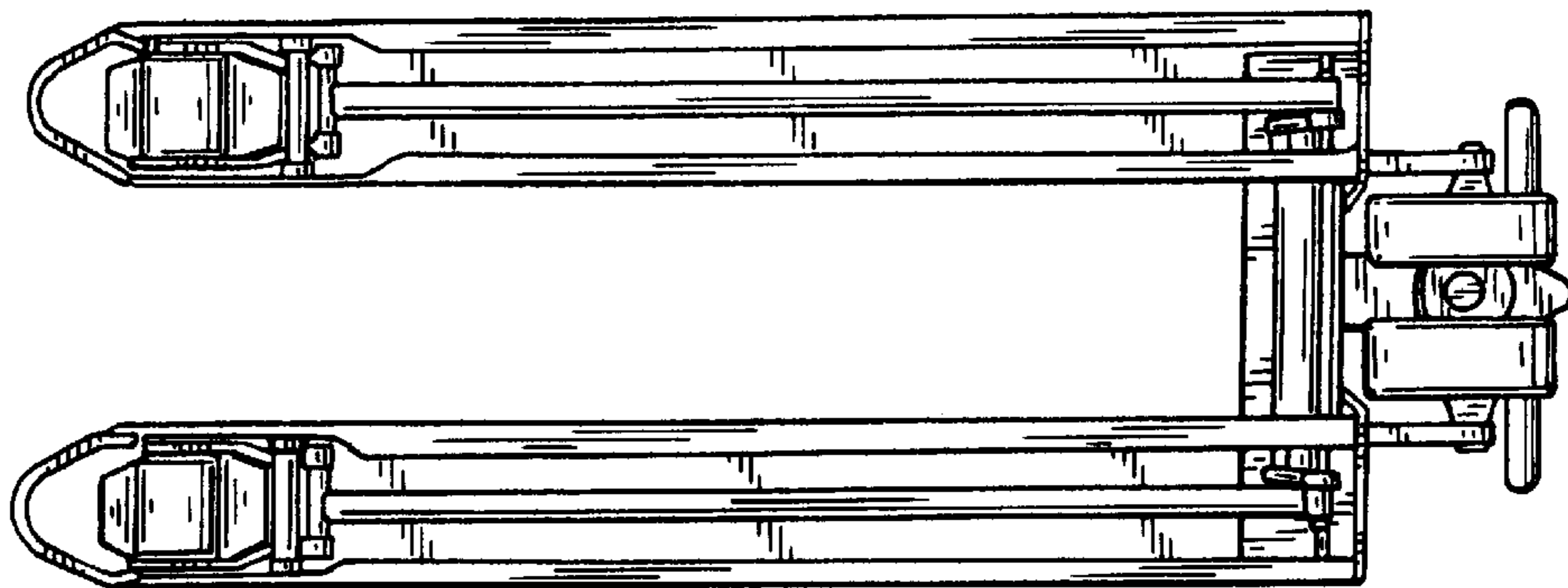


FIG. 5

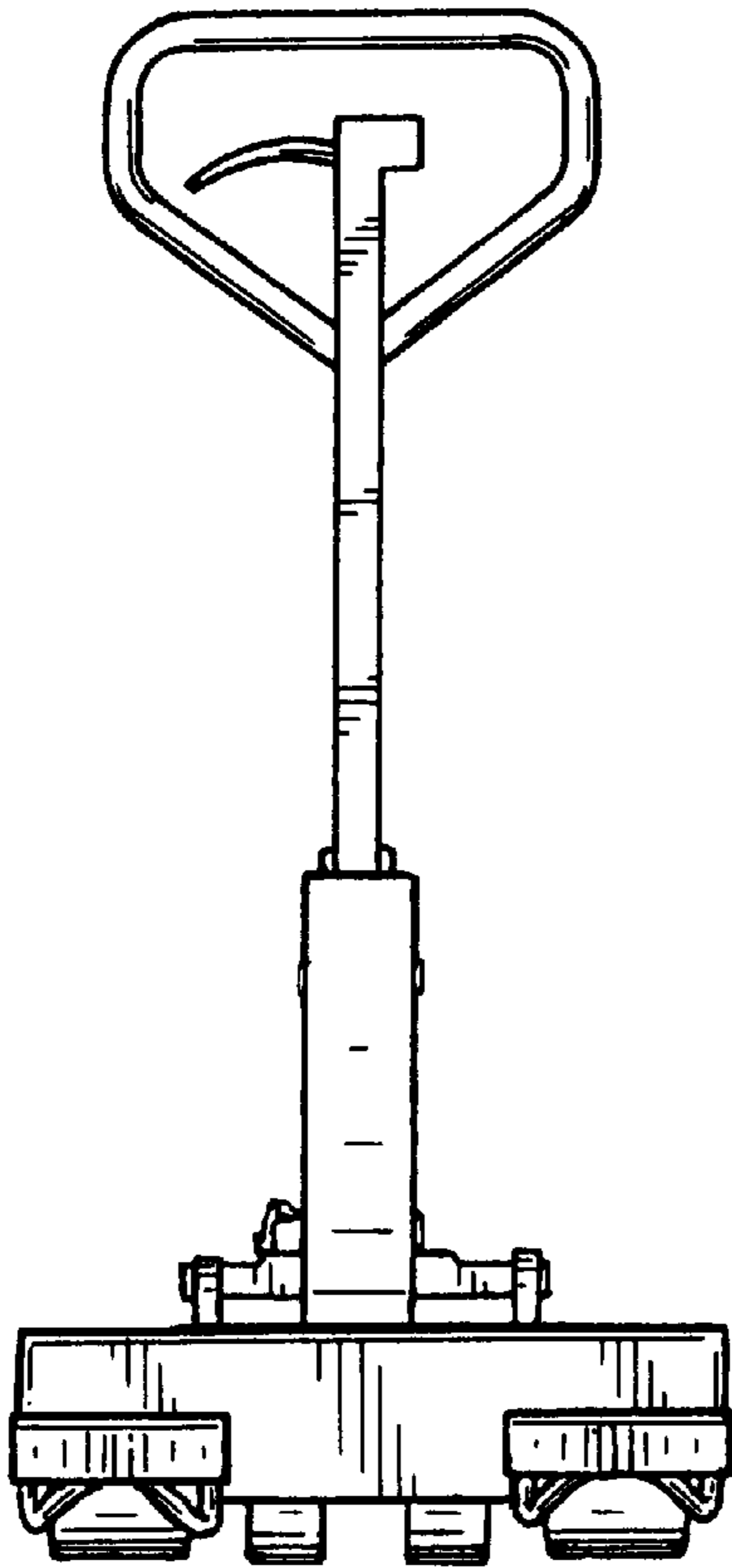


FIG. 6

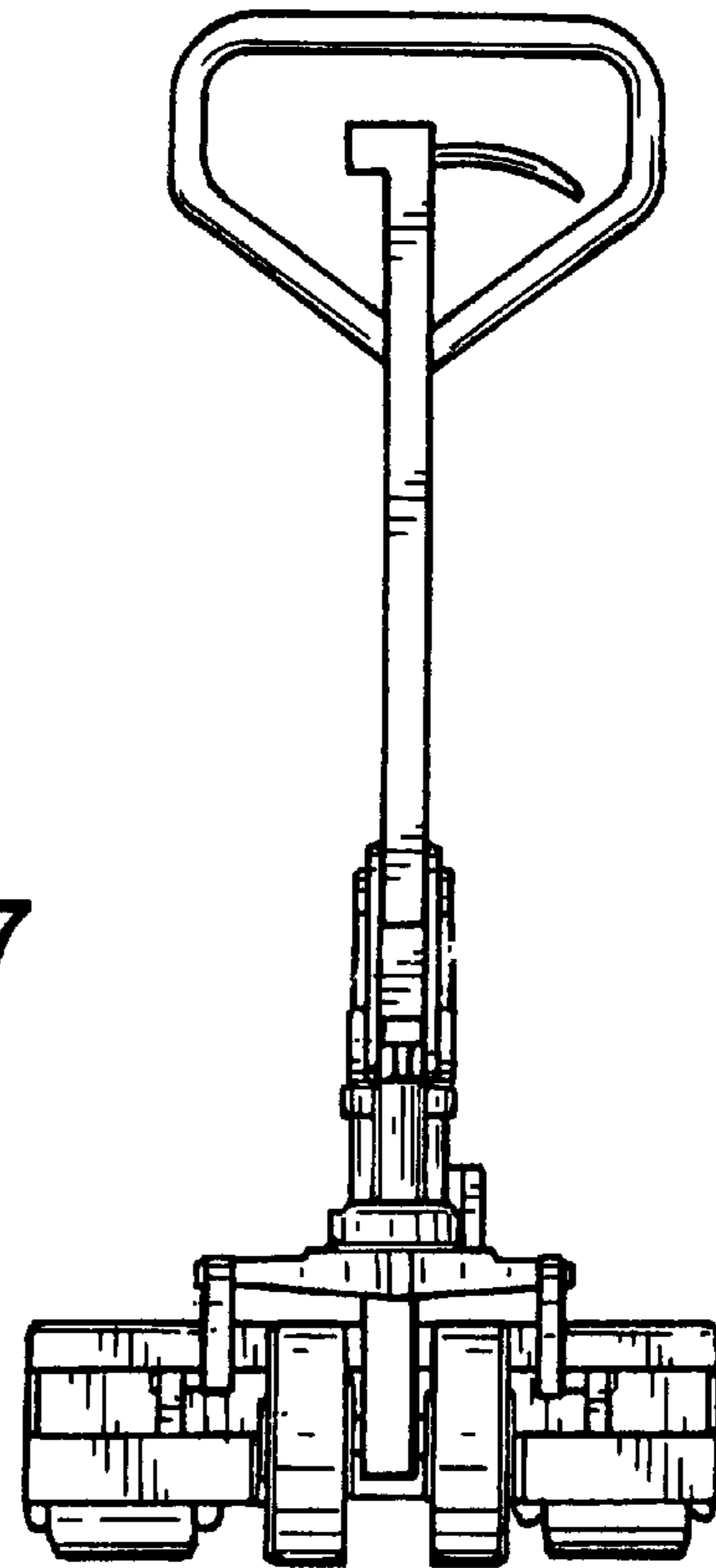


FIG. 7