



US00D419737S

# United States Patent [19]

[11] **Patent Number: Des. 419,737**

**Searcy**

[45] **Date of Patent: \*\* Jan. 25, 2000**

[54] **PAINT BRUSH HOLDER**

D. 358,914 5/1995 Masse et al. .... D32/54  
2,748,977 6/1956 Sarchet ..... 220/697

[76] Inventor: **Marilyn A. Searcy**, 47000 Warm Springs Blvd., #378, Fremont, Calif. 94539

*Primary Examiner*—Robin V. Taylor  
*Attorney, Agent, or Firm*—Harris Zimmerman

[\*\*] Term: **14 Years**

[57] **CLAIM**

[21] Appl. No.: **29/094,837**

The ornamental design for a paint brush holder, as shown and described.

[22] Filed: **Oct. 13, 1998**

**DESCRIPTION**

[51] **LOC (7) Cl.** ..... **07-07**

[52] **U.S. Cl.** ..... **D32/54**

[58] **Field of Search** ..... D32/53-54; 15/257.01; 220/694, 697, 700-702, 570

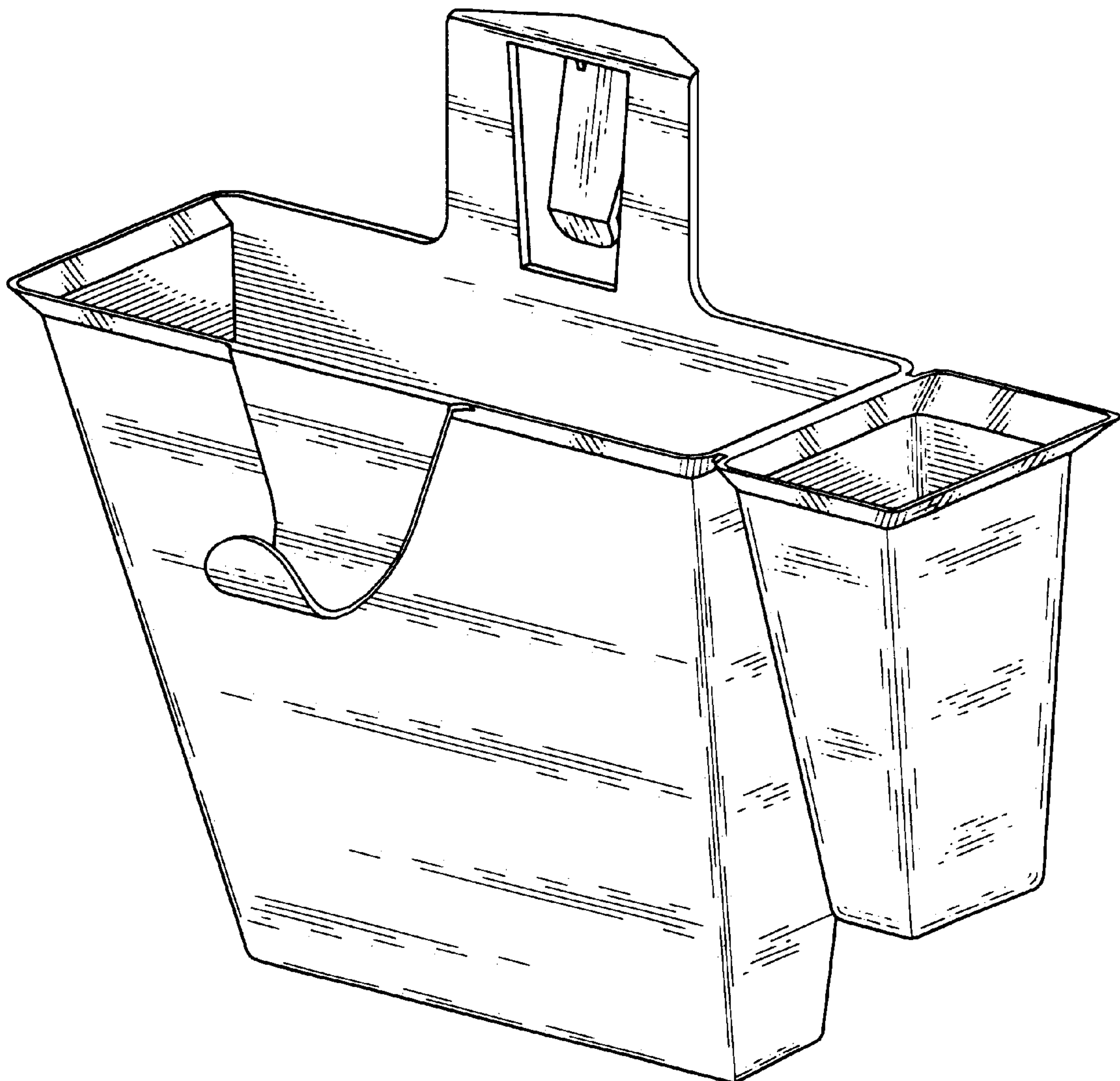
FIG. 1 is a perspective view of a paint brush holder showing my new design;  
FIG. 2 is a front view;  
FIG. 3 is a rear view;  
FIG. 4 is a right hand side view;  
FIG. 5 is a left hand side view;  
FIG. 6 is a top plan view; and,  
FIG. 7 is a bottom plan view.

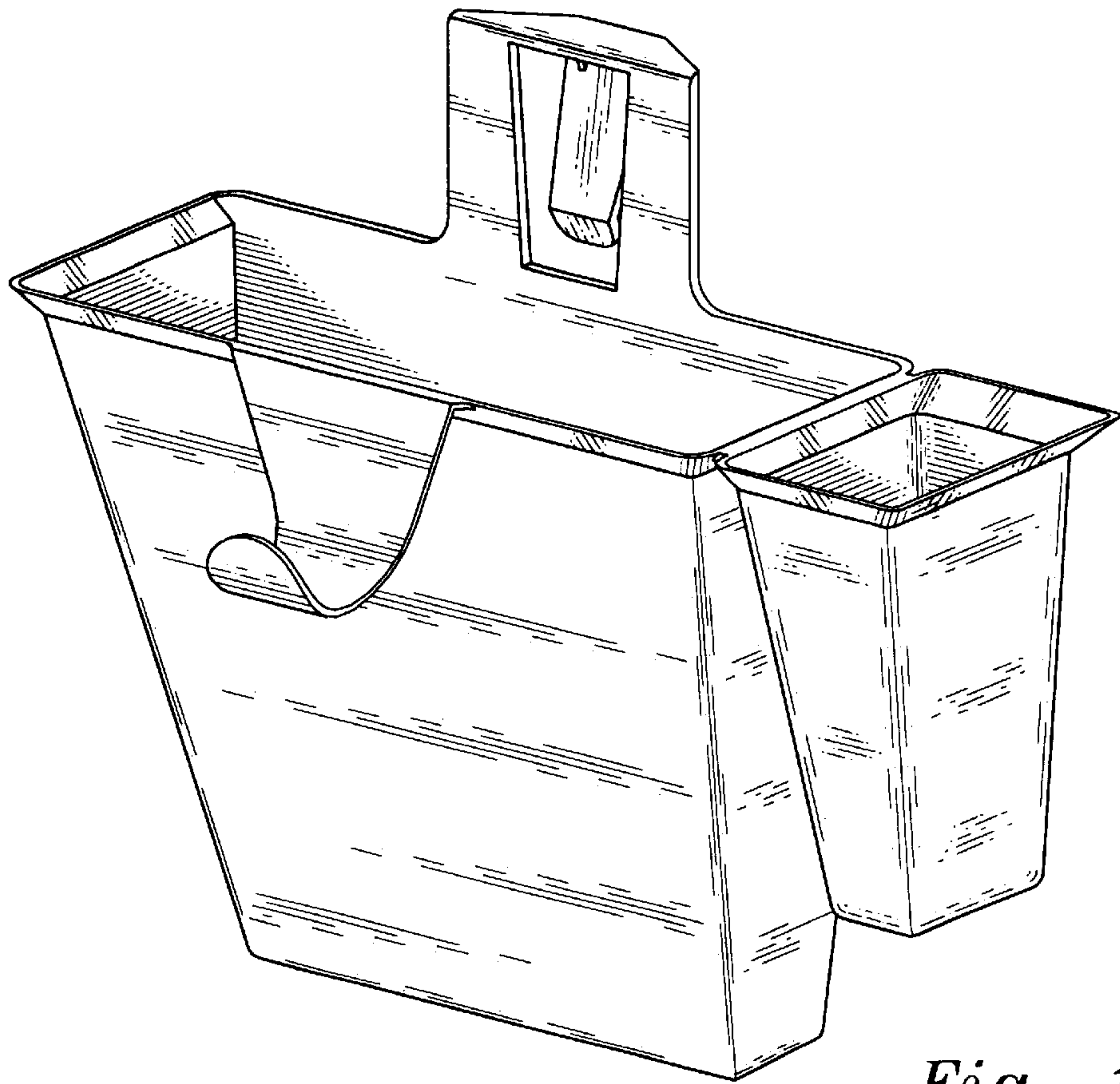
[56] **References Cited**

**U.S. PATENT DOCUMENTS**

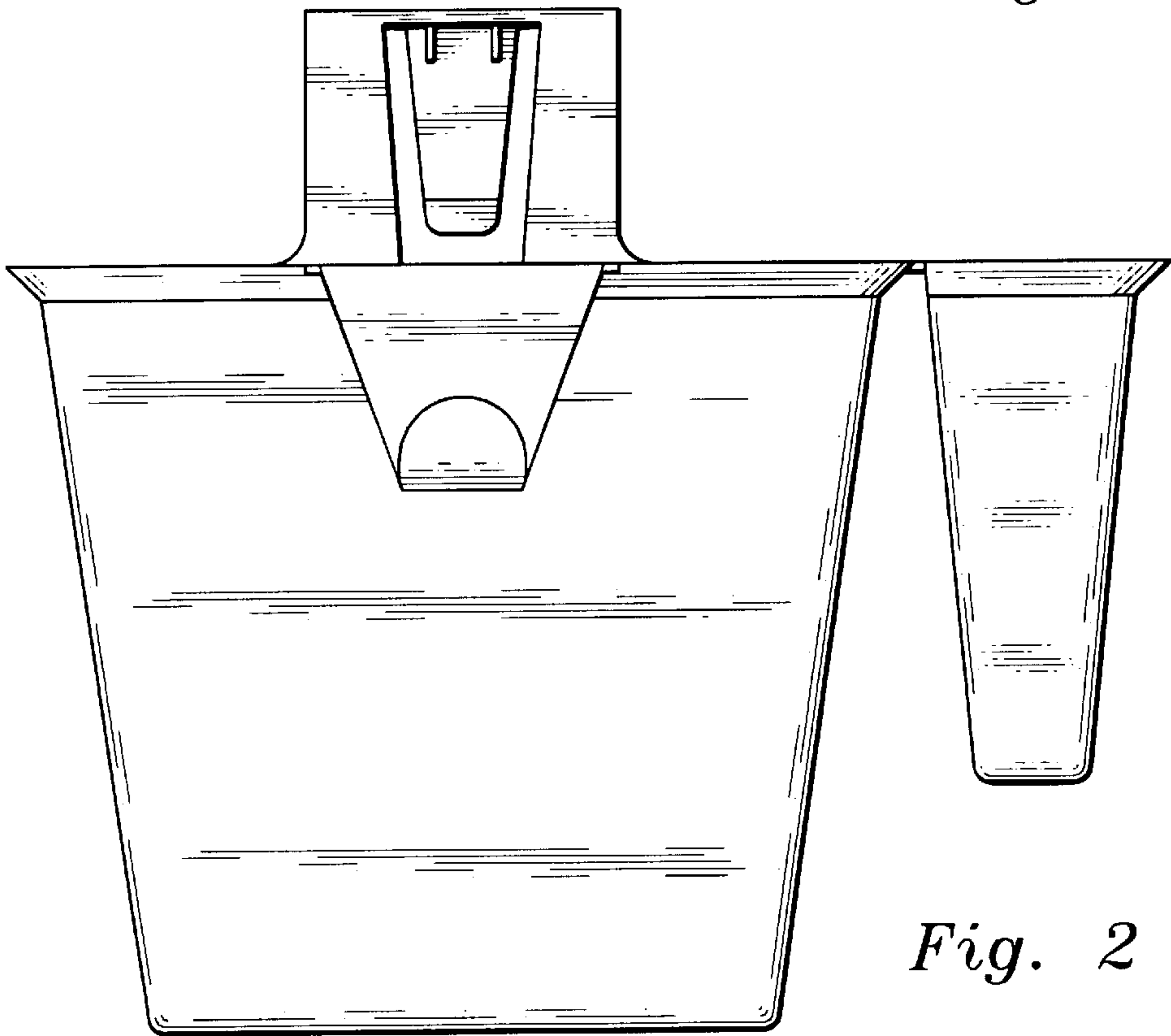
- D. 327,148 6/1992 Alessi ..... D32/54
- D. 341,686 11/1993 Panovic ..... D32/54
- D. 346,054 4/1994 Spangler ..... D32/54

**1 Claim, 3 Drawing Sheets**

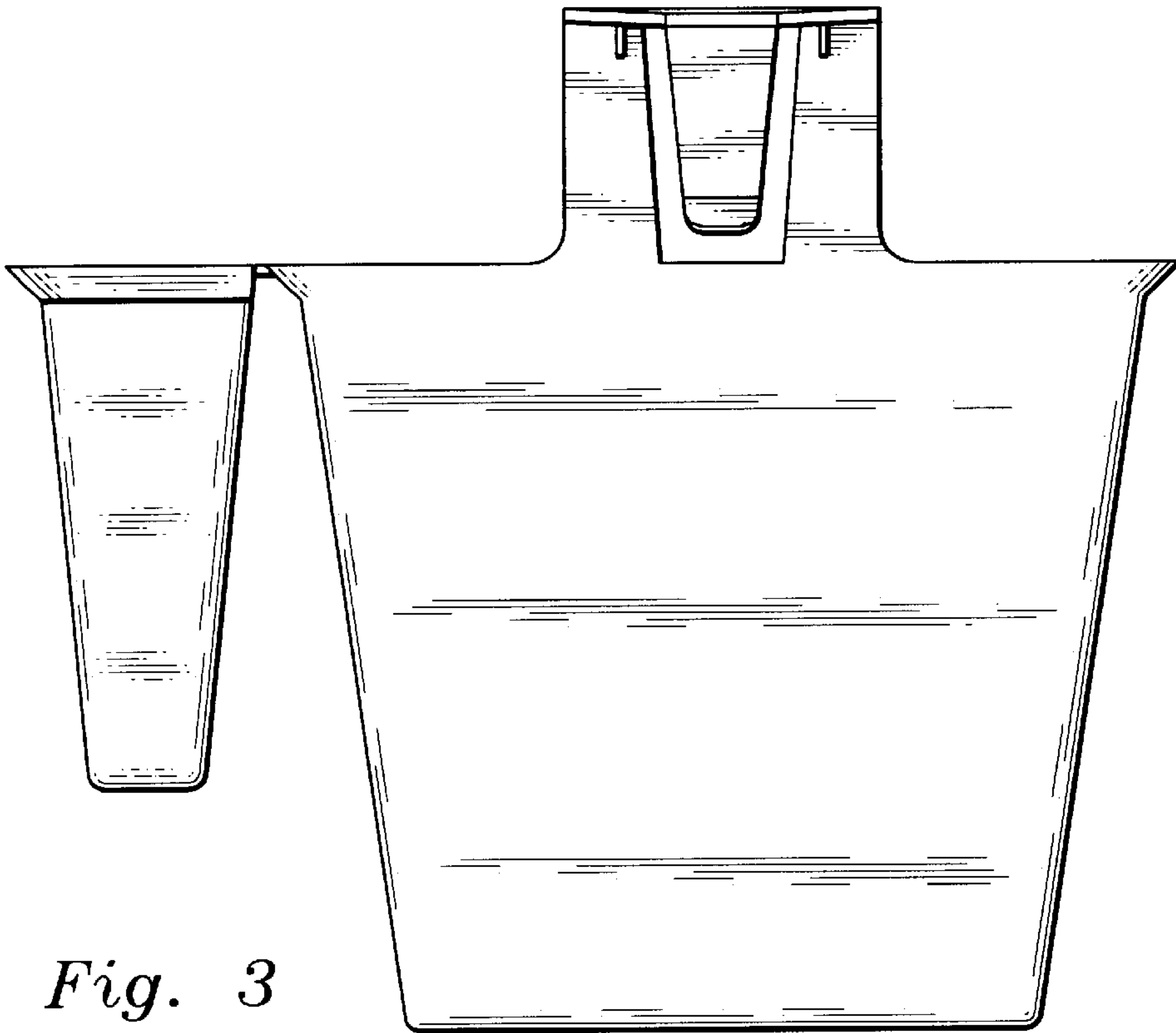




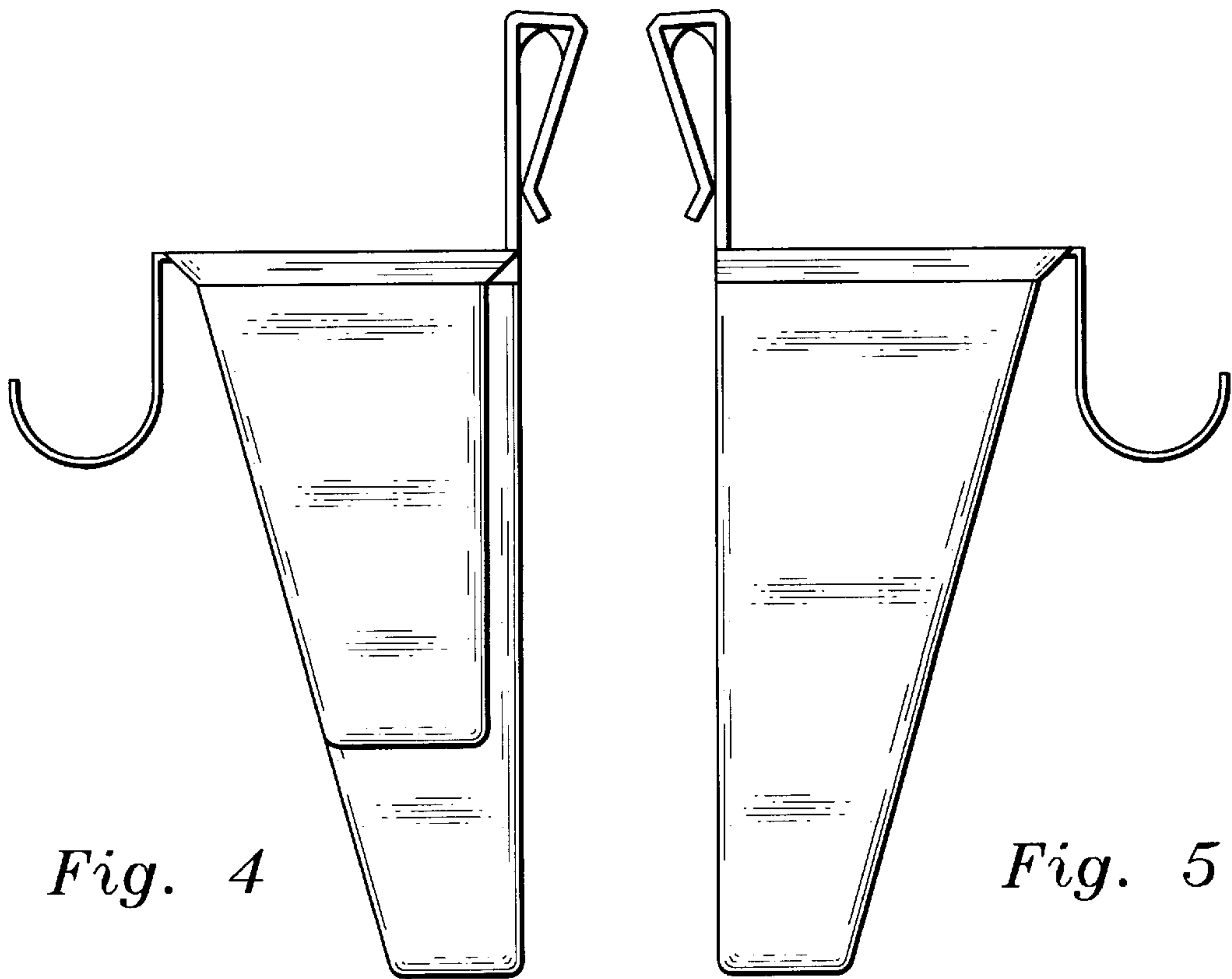
*Fig. 1*



*Fig. 2*

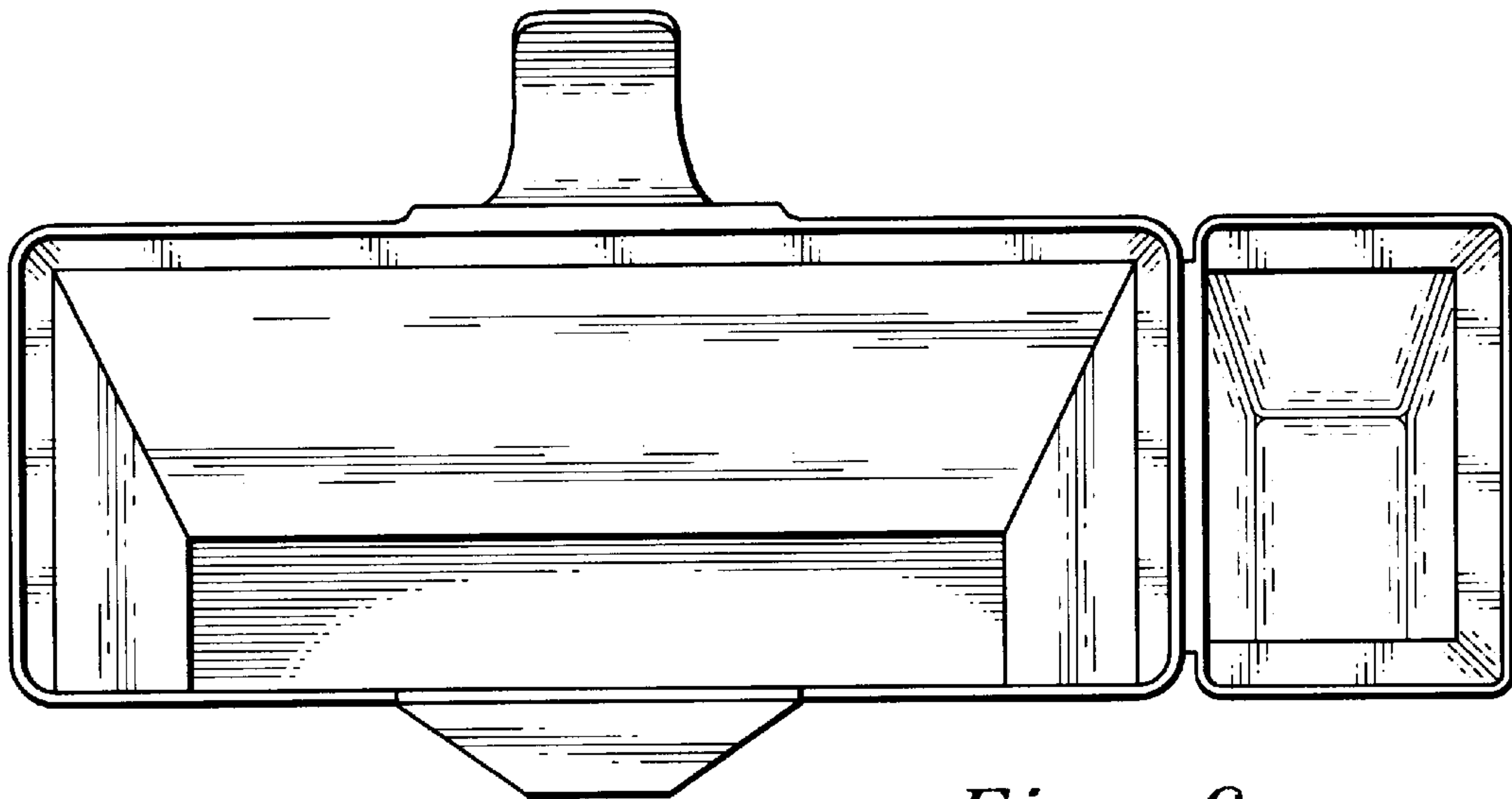


*Fig. 3*

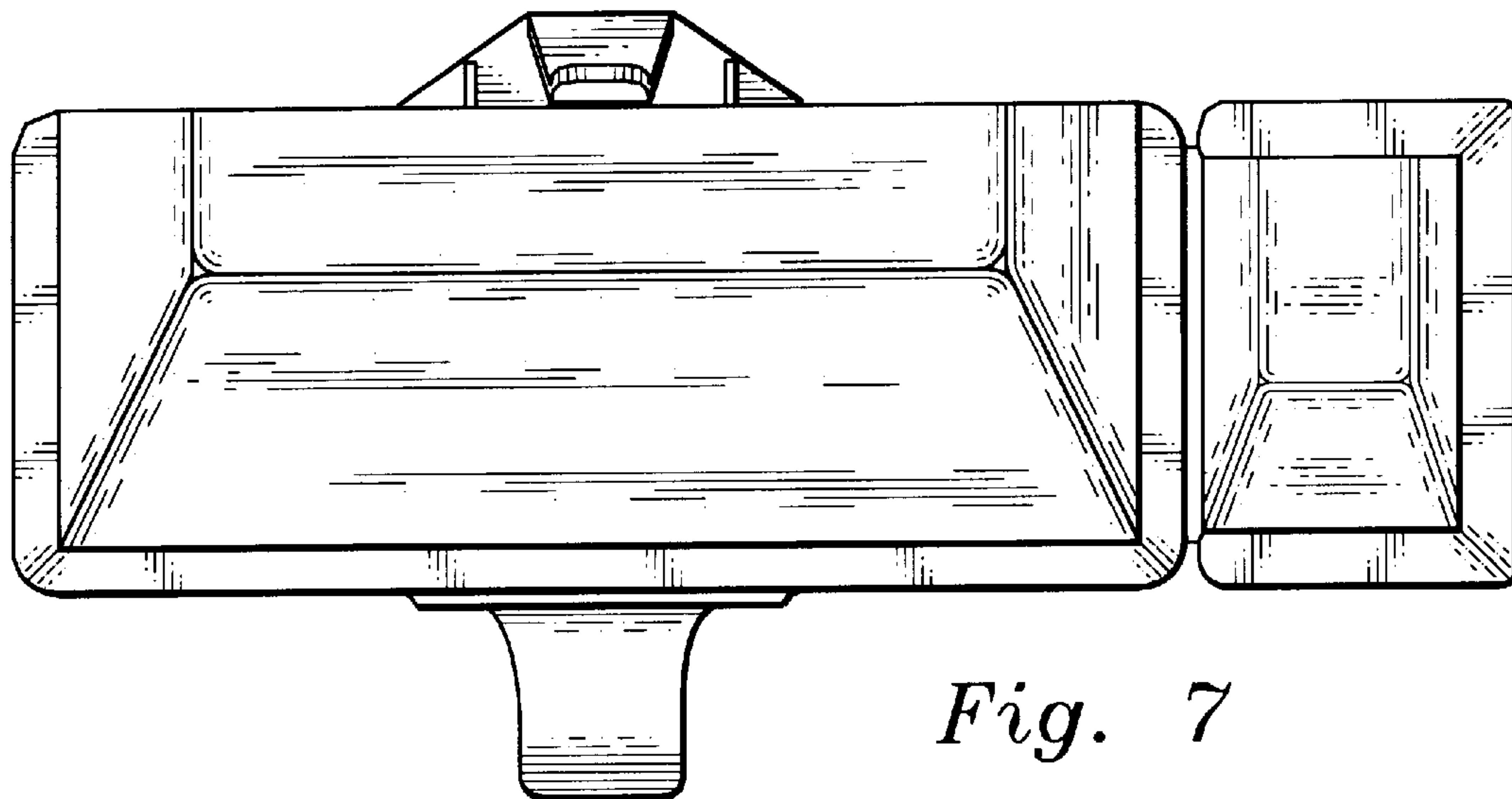


*Fig. 4*

*Fig. 5*



*Fig. 6*



*Fig. 7*