



US00D419736S

United States Patent [19] Clark

[11] Patent Number: **Des. 419,736**

[45] Date of Patent: **** Jan. 25, 2000**

[54] PAINT SUPPLY TRAY

[76] Inventor: **Jarvis Clark**, 3481 Raymont Blvd.,
University Heights, Ohio 44118

[**] Term: **14 Years**

[21] Appl. No.: **29/101,245**

[22] Filed: **Mar. 1, 1999**

[51] LOC (7) Cl. **07-07**

[52] U.S. Cl. **D32/53.1**

[58] Field of Search D32/53, 53.1,
D32/54; 248/210; 220/570-572; 15/257.01,
257.05, 257.06

[56] **References Cited**

U.S. PATENT DOCUMENTS

D. 223,302	4/1972	Genca et al.	D32/53.1
D. 248,335	6/1978	Cooke et al.	D32/53.1
3,837,034	9/1974	Leffert et al.	15/257.06
4,164,299	8/1979	Fuhr	15/257.06

4,706,918	11/1987	Wilson	248/210
5,236,161	8/1993	Haven	248/210
5,493,751	2/1996	Misiukowicz et al.	15/257.06
5,546,628	8/1996	Silvera	15/257.06
5,836,043	11/1998	Rovas	15/257.06

Primary Examiner—Robin V. Taylor

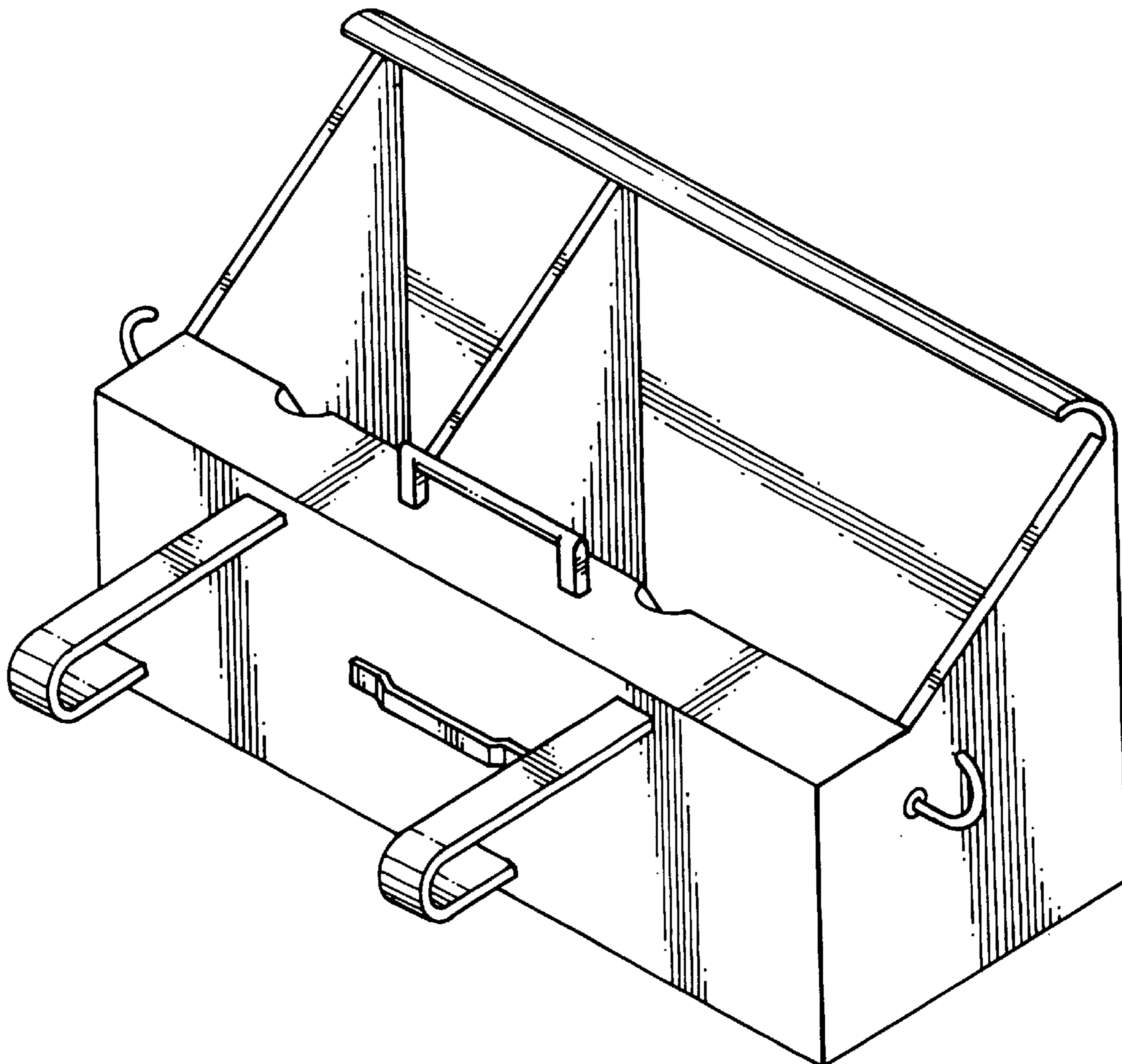
[57] **CLAIM**

I claim the ornamental design for a paint supply tray, as shown and described.

DESCRIPTION

FIG. 1 is a perspective view of a paint supply tray showing my new design;
FIG. 2 is a front elevational view thereof;
FIG. 3 is a rear elevational view thereof;
FIG. 4 is a right side elevational view thereof, the left side elevational view being a mirror image of this Figure;
FIG. 5 is a top plan view thereof; and,
FIG. 6 is a bottom plan view thereof.

1 Claim, 4 Drawing Sheets



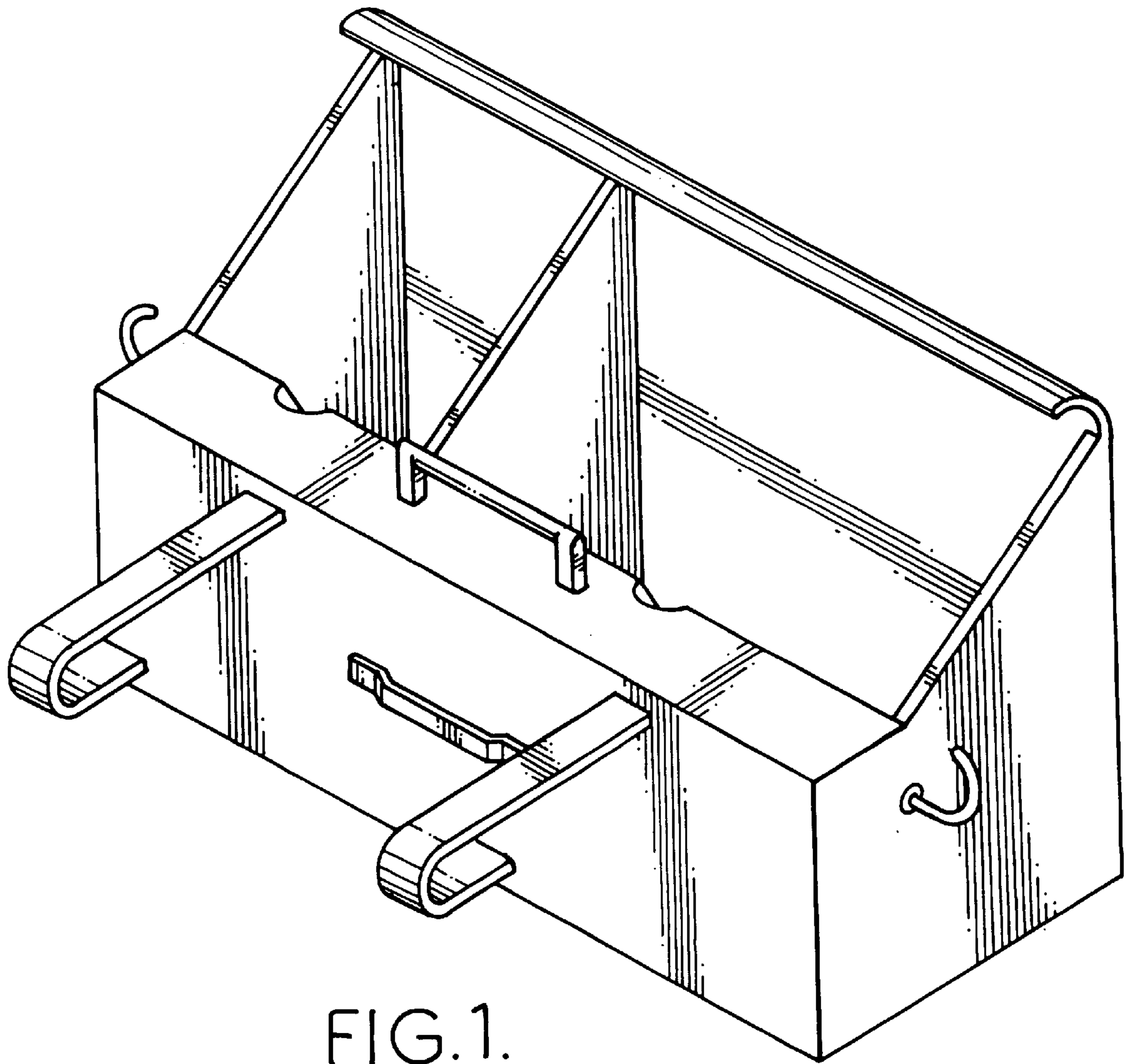


FIG. 1.

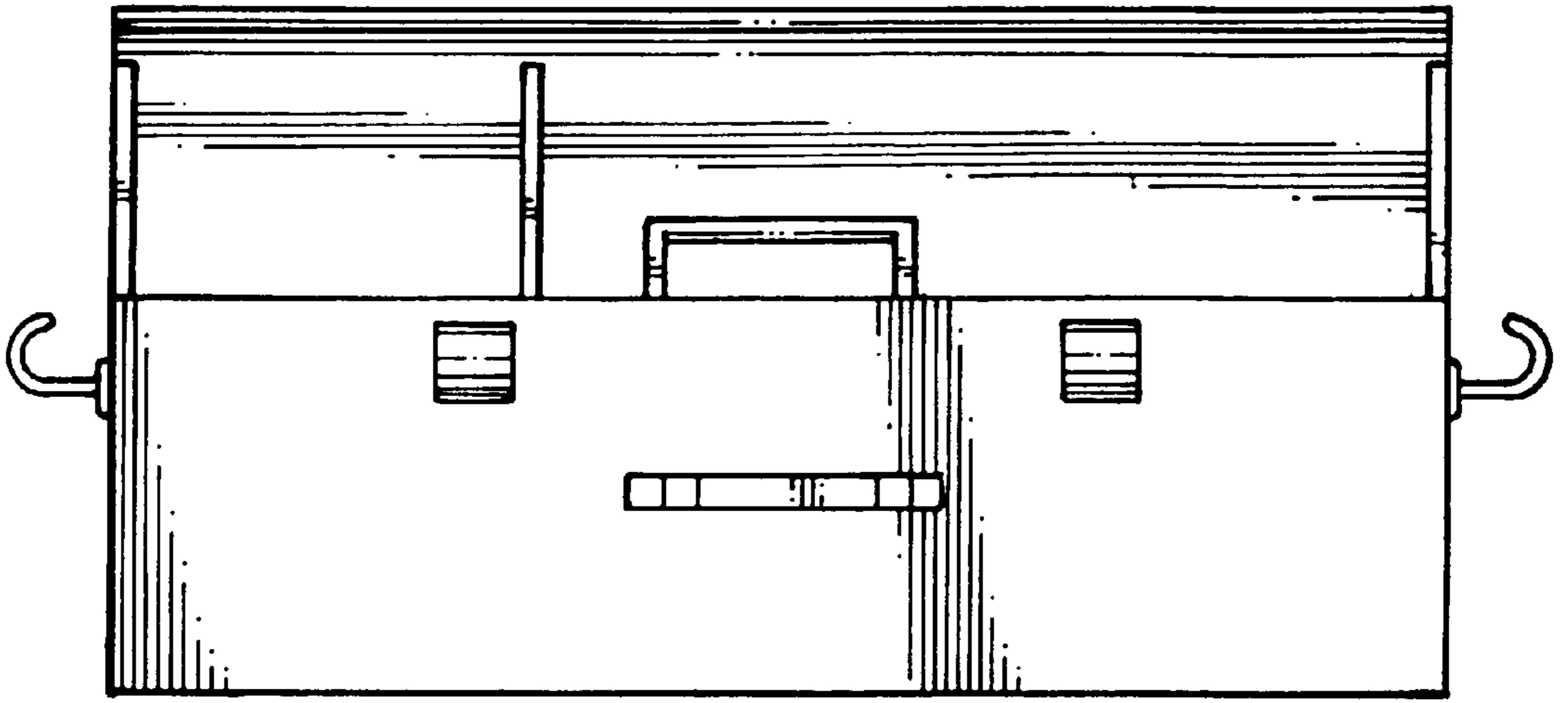


FIG. 2.

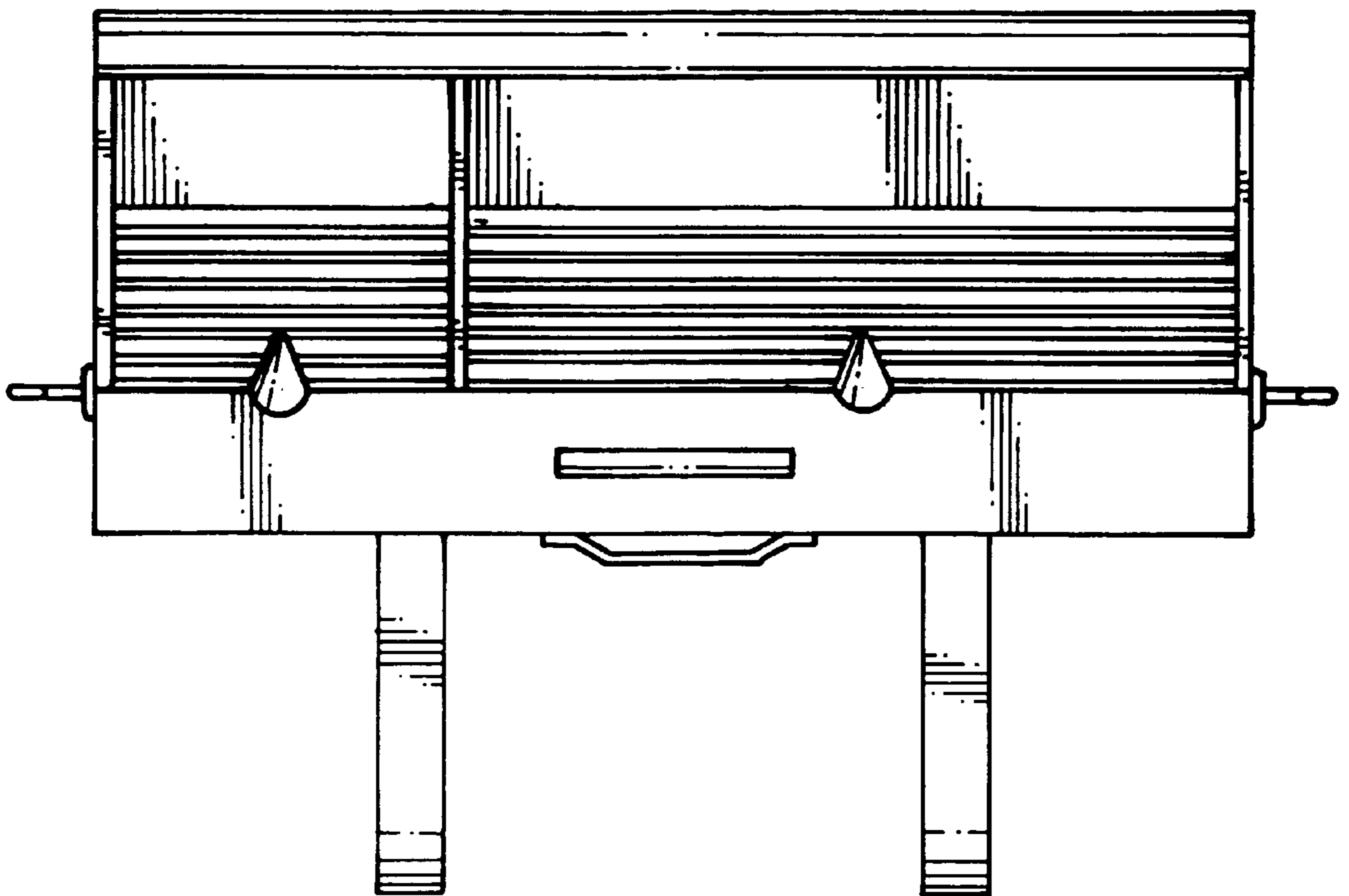


FIG. 5.

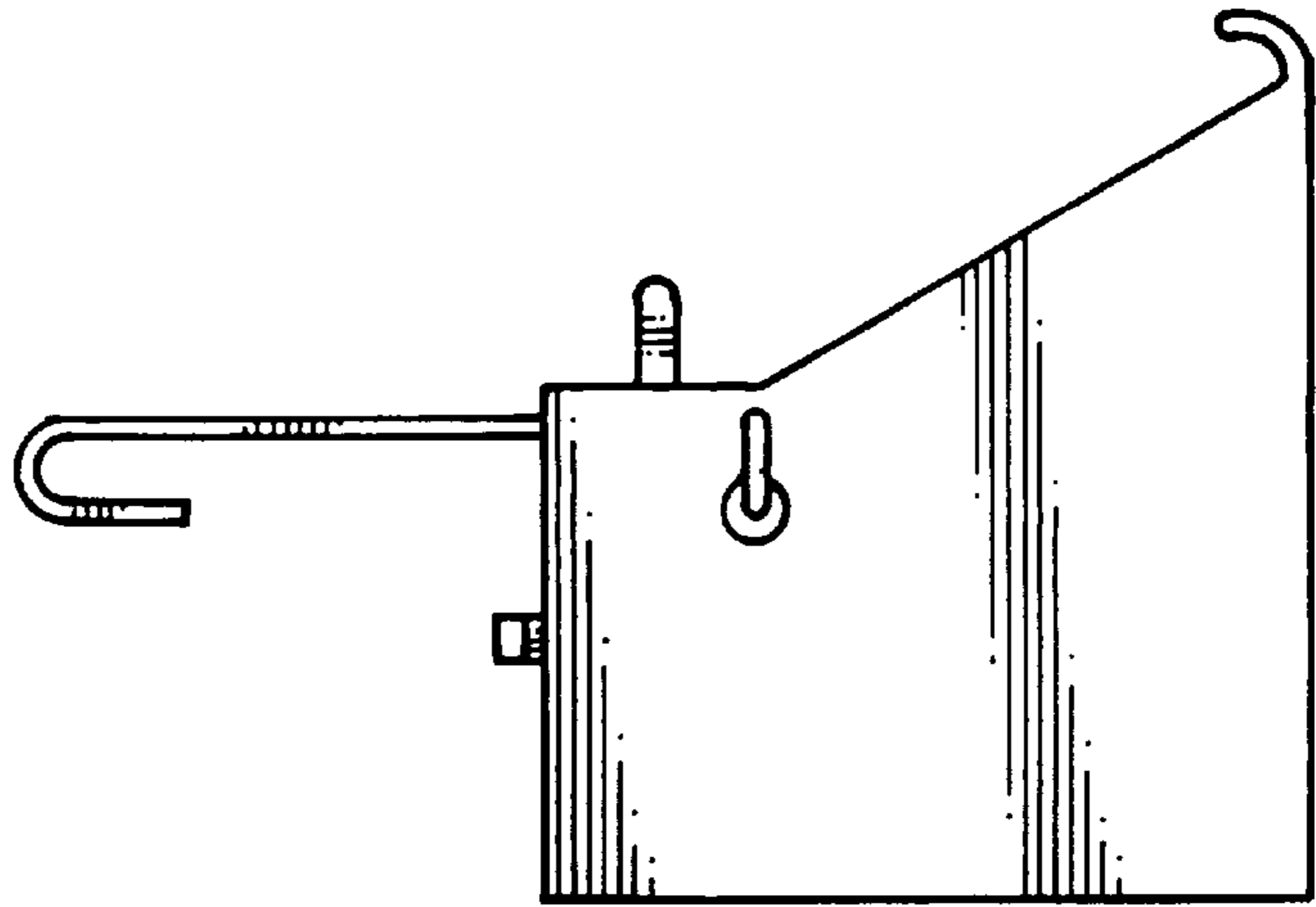


FIG. 4.

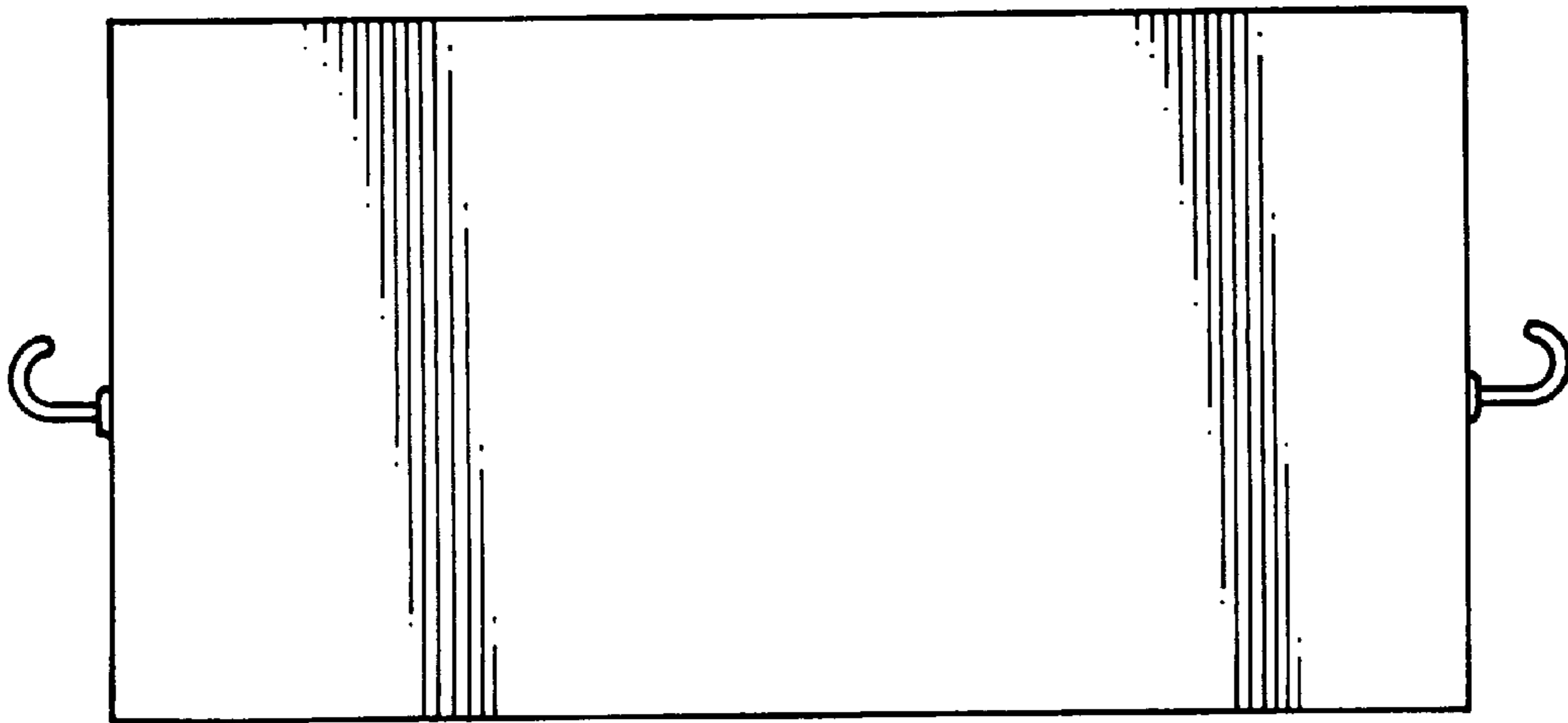


FIG. 3.

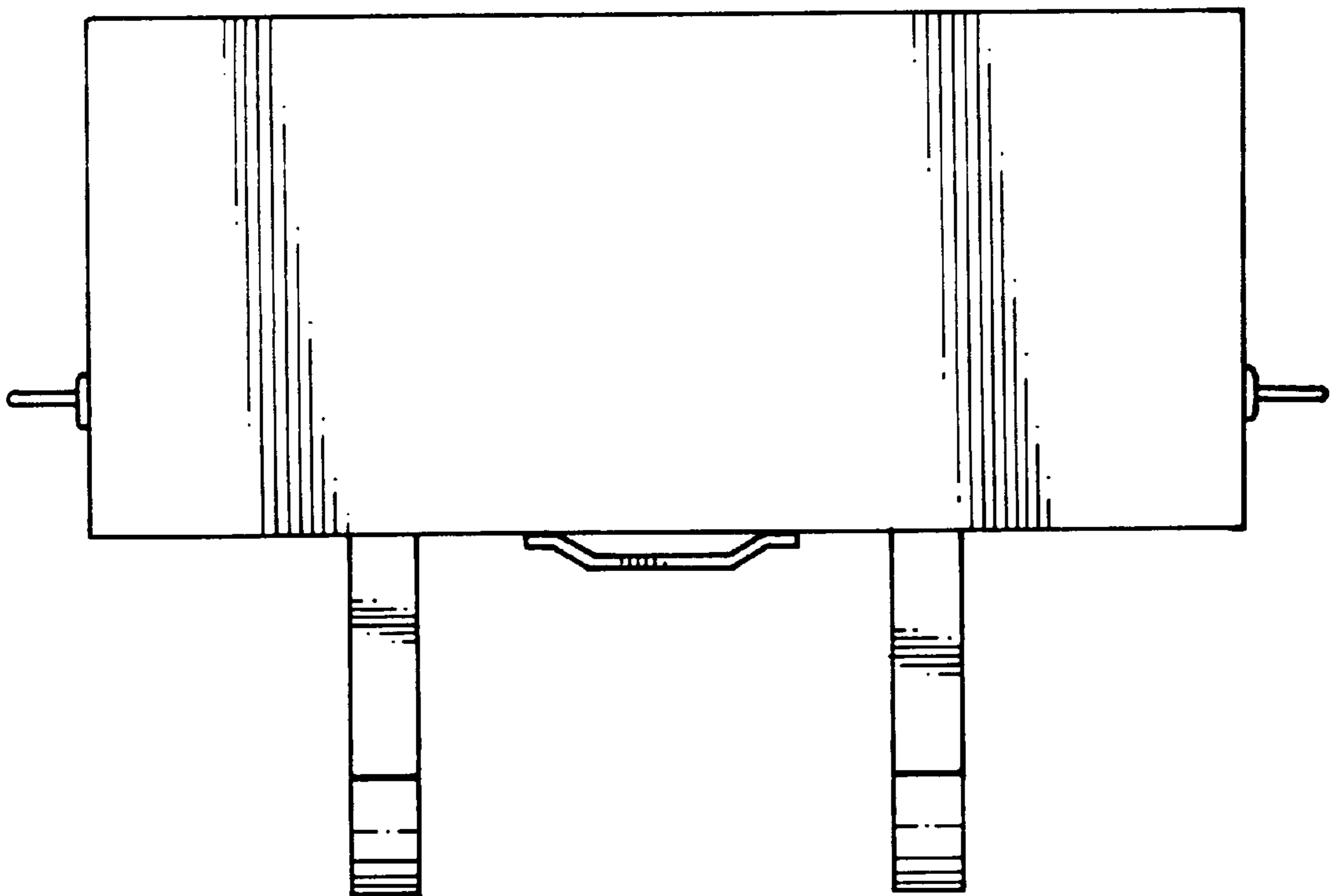


FIG. 6.