



US00D419735S

United States Patent [19]

[11] **Patent Number: Des. 419,735**

Del Real

[45] **Date of Patent: ** Jan. 25, 2000**

[54] **BUCKET FOR RECEIVING DRAIN CLEANING MACHINE**

4,916,772	4/1990	Russell	15/104
4,998,622	3/1991	Drack	206/519
5,101,996	4/1992	Mosley	220/8
5,350,065	9/1994	Darrey	206/373
5,421,457	6/1995	Listenberger	206/388

[76] Inventor: **Arthur Del Real**, 2031 S. Gaffey, San Pedro, Calif. 90731

[**] Term: **14 Years**

Primary Examiner—Susan J. Lucas
Assistant Examiner—Cynthia E. Ramirez
Attorney, Agent, or Firm—Goldstein & Canino

[21] Appl. No.: **29/098,162**

[22] Filed: **Dec. 23, 1998**

[57] CLAIM

[51] **LOC (7) Cl.** **07-07**

[52] **U.S. Cl.** **D32/53**

The ornamental design for a bucket for receiving drain cleaning machine, as shown and described.

[58] **Field of Search** D32/53, 53.1, D32/54; D22/136; 15/260, 262, 264; 220/694, 695, 696, 773, 774, 702, 904

DESCRIPTION

[56] References Cited

U.S. PATENT DOCUMENTS

D. 278,561	4/1985	Anderson	D32/53
D. 352,143	11/1994	Arshinoff	D32/53
D. 368,347	3/1996	Kruger	D32/53
D. 386,860	11/1997	Been	D32/53
D. 389,626	1/1998	Lundy	D32/53
2,755,838	7/1956	Kennedy, Jr.	220/694
2,812,100	11/1957	Regan	220/695

FIG. 1 is a diagrammatic perspective view of the bucket for receiving drain cleaning machine.
FIG. 2 is a front elevational view thereof.
FIG. 3 is a rear elevational view thereof.
FIG. 4 is a top plan view thereof.
FIG. 5 is a bottom plan view thereof.
FIG. 6 is a right side elevational view of the bucket for receiving drain cleaning machine; and,
FIG. 7 is a left side elevational view thereof.

1 Claim, 3 Drawing Sheets

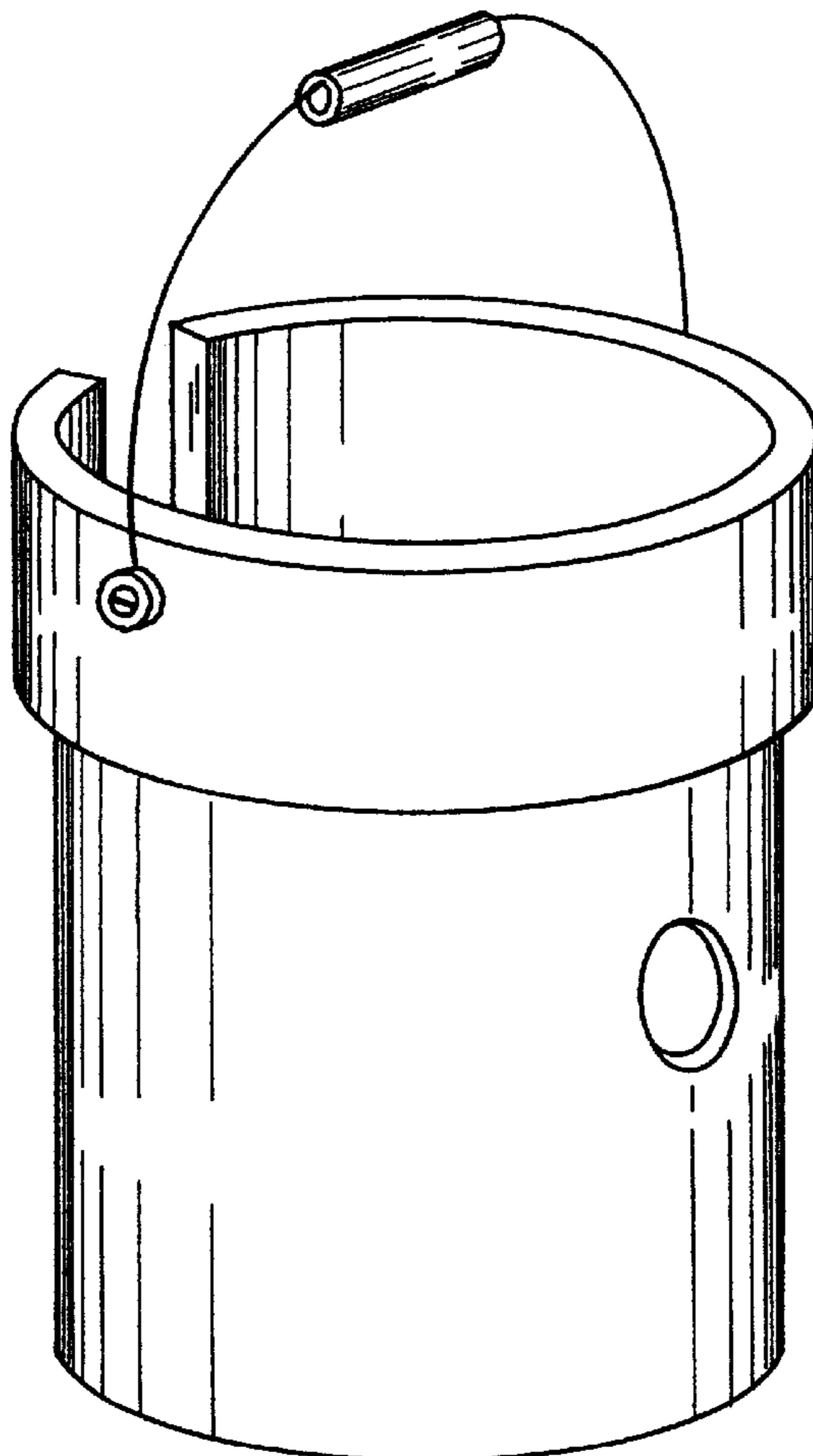


FIG. 1

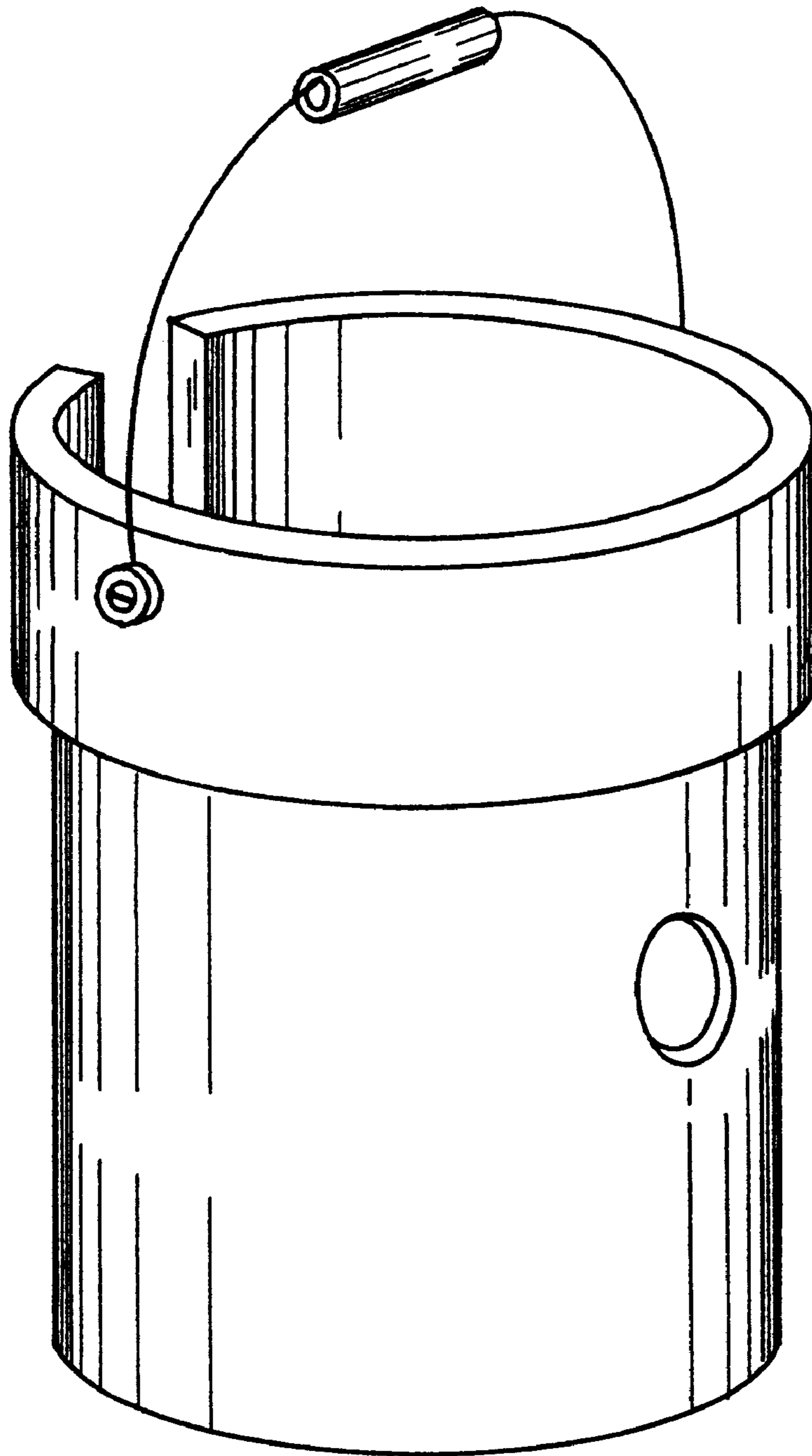


FIG. 2

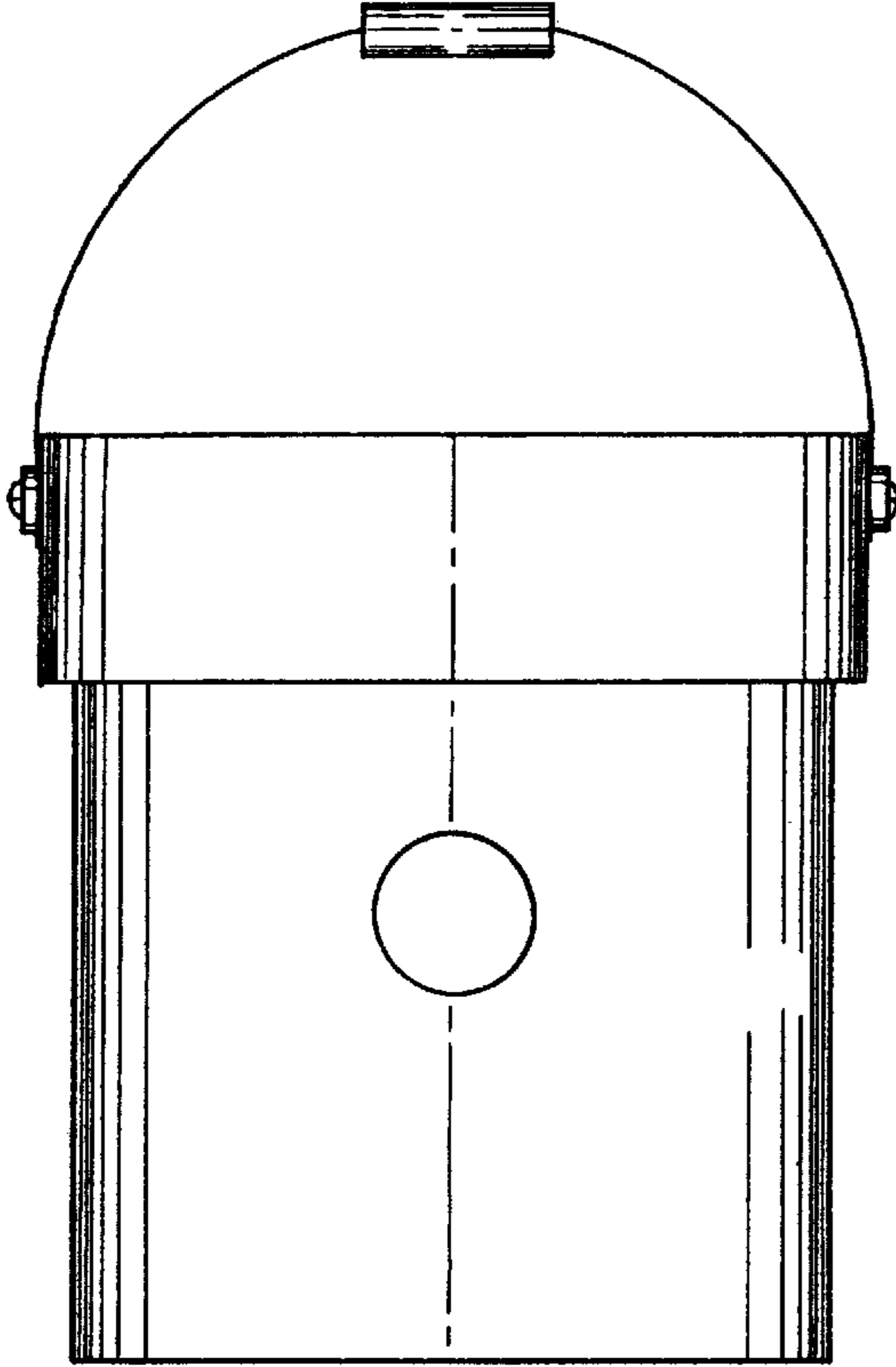


FIG. 3

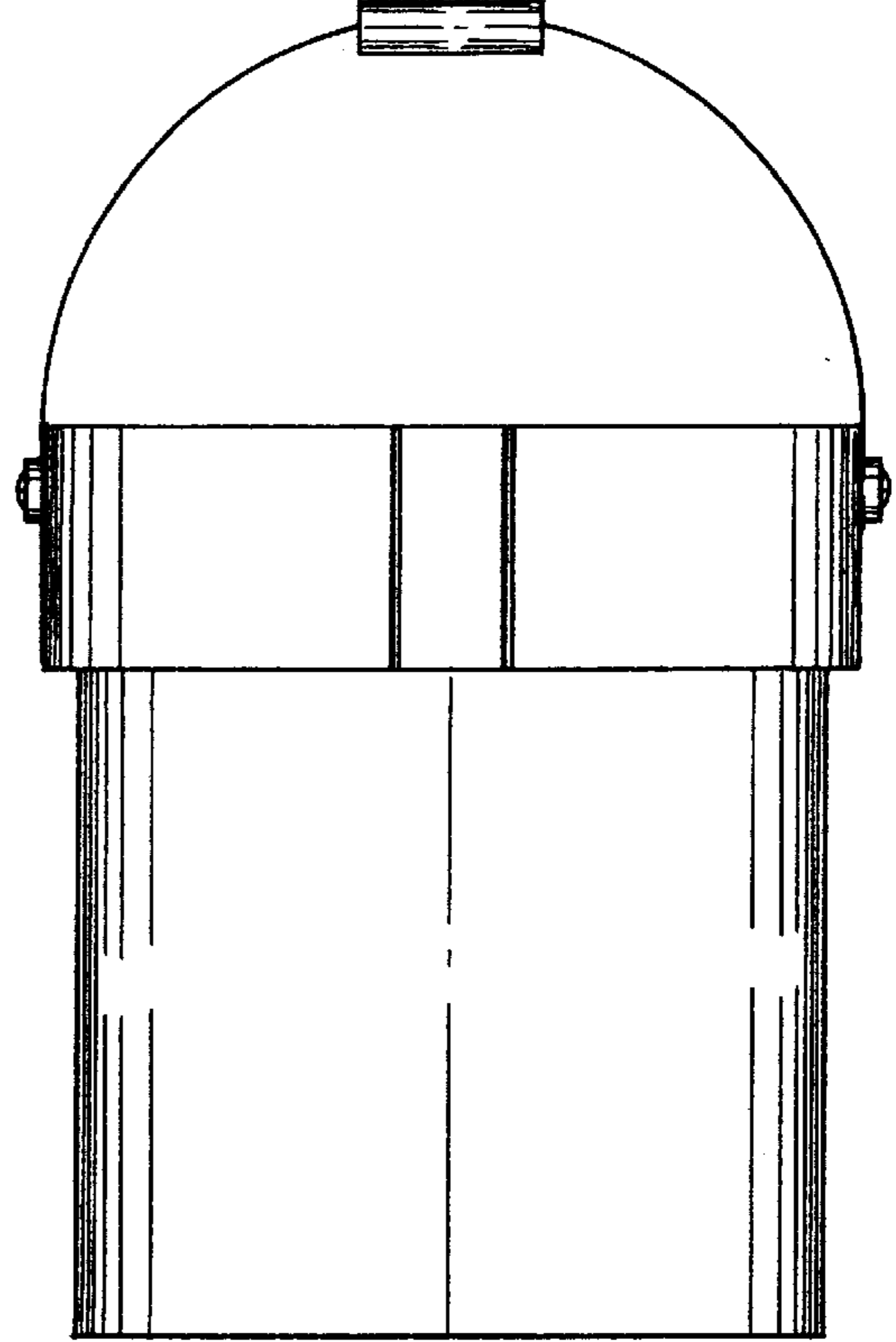


FIG. 4

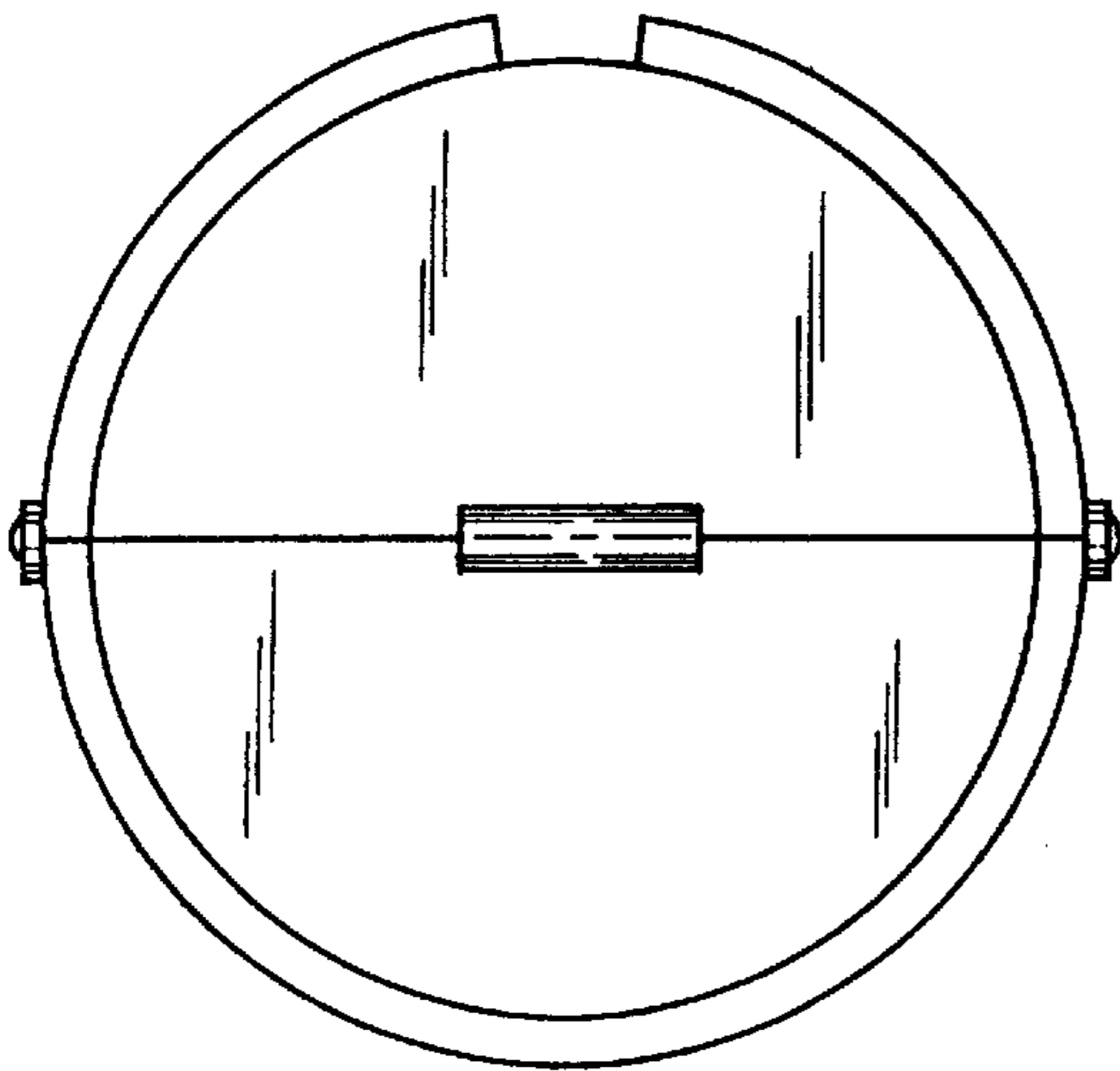


FIG. 5

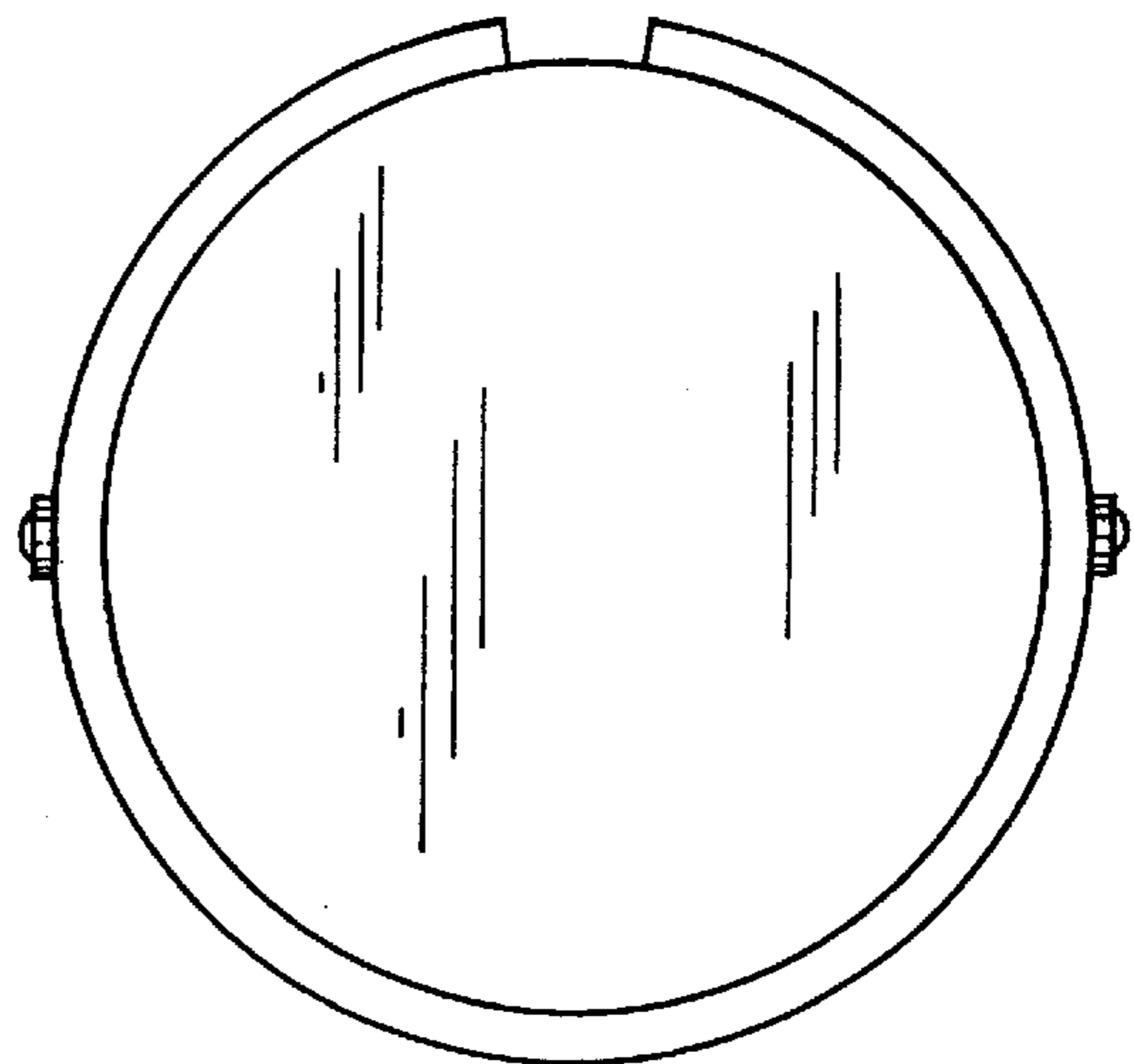


FIG. 6

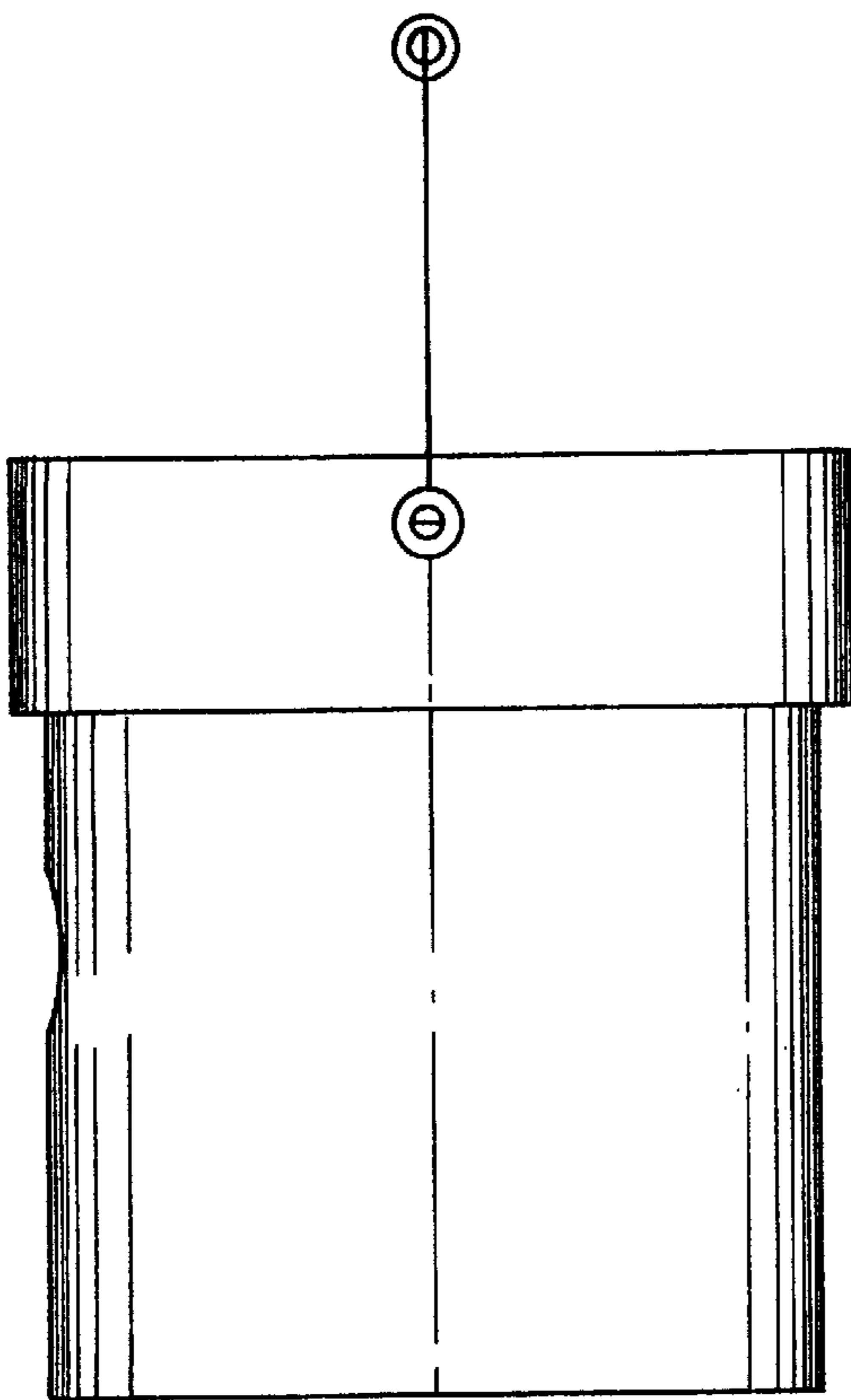


FIG. 7

