



US00D419733S

United States Patent [19]
Medema

[11] **Patent Number: Des. 419,733**

[45] **Date of Patent: ** Jan. 25, 2000**

[54] **VACUUM TOOL**

[75] **Inventor: Douglas J. Medema**, Belding, Mich.

[73] **Assignee: Bissell Homecare, Inc.**, Grand Rapids, Mich.

[**] **Term: 14 Years**

[21] **Appl. No.: 29/098,330**

[22] **Filed: Dec. 28, 1998**

[51] **LOC (7) Cl. 15-05**

[52] **U.S. Cl. D32/32**

[58] **Field of Search** D32/17-18, 21,
D32/31-33; 15/373, 396, 398, 415.1-416,
322, 344, 329

[56] **References Cited**

U.S. PATENT DOCUMENTS

D. 189,778	2/1961	Guild et al.	D32/32
D. 266,707	10/1982	Bunyea	D32/33
D. 274,150	6/1984	Hoesch	D32/18
D. 302,758	8/1989	Lauer	D32/18
D. 313,831	1/1991	Gildersleeve	D32/18
D. 326,938	6/1992	Burns	D32/32

D. 370,097	5/1996	Griffin et al.	D32/33
D. 393,113	3/1998	Essex et al. .	
2,683,276	7/1954	Olsen .	
3,044,100	7/1962	Zaidan .	
3,849,823	11/1974	Adamson et al. .	
4,554,702	11/1985	Kochte et al. .	

Primary Examiner—Ruth McInroy
Attorney, Agent, or Firm—Rader, Fishman, Grauer & McGarry, An Office of Rader, Fishman & Grauer PLLC

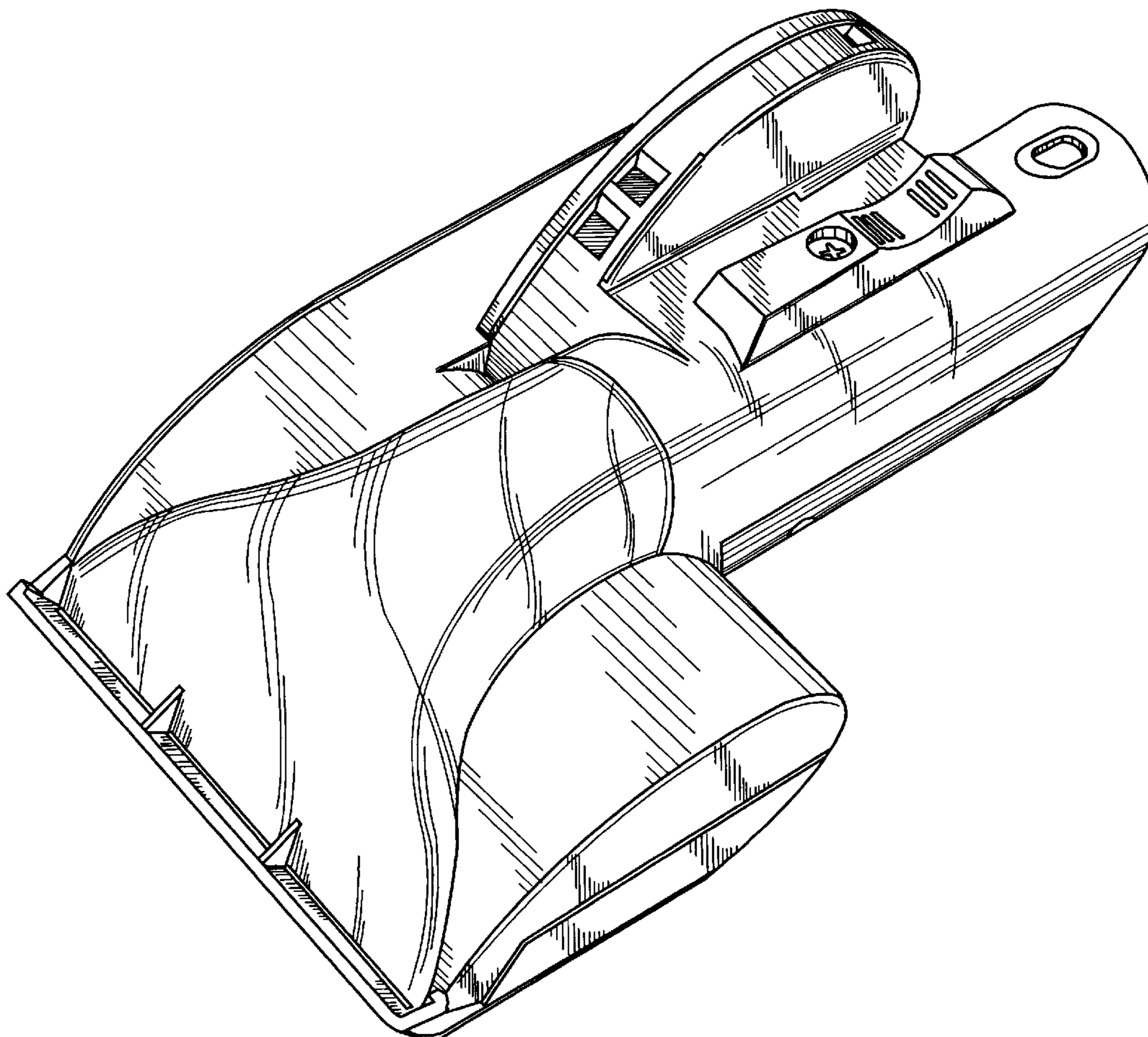
[57] **CLAIM**

The ornamental design for a vacuum tool, as shown and described.

DESCRIPTION

FIG. 1 is a perspective view of a vacuum tool showing my new design;
FIG. 2 is a left side elevational view thereof;
FIG. 3 is a right side elevational view thereof;
FIG. 4 is a front elevational view thereof;
FIG. 5 is a rear elevational view thereof;
FIG. 6 is a top plan view thereof; and,
FIG. 7 is a bottom plan view thereof.

1 Claim, 4 Drawing Sheets



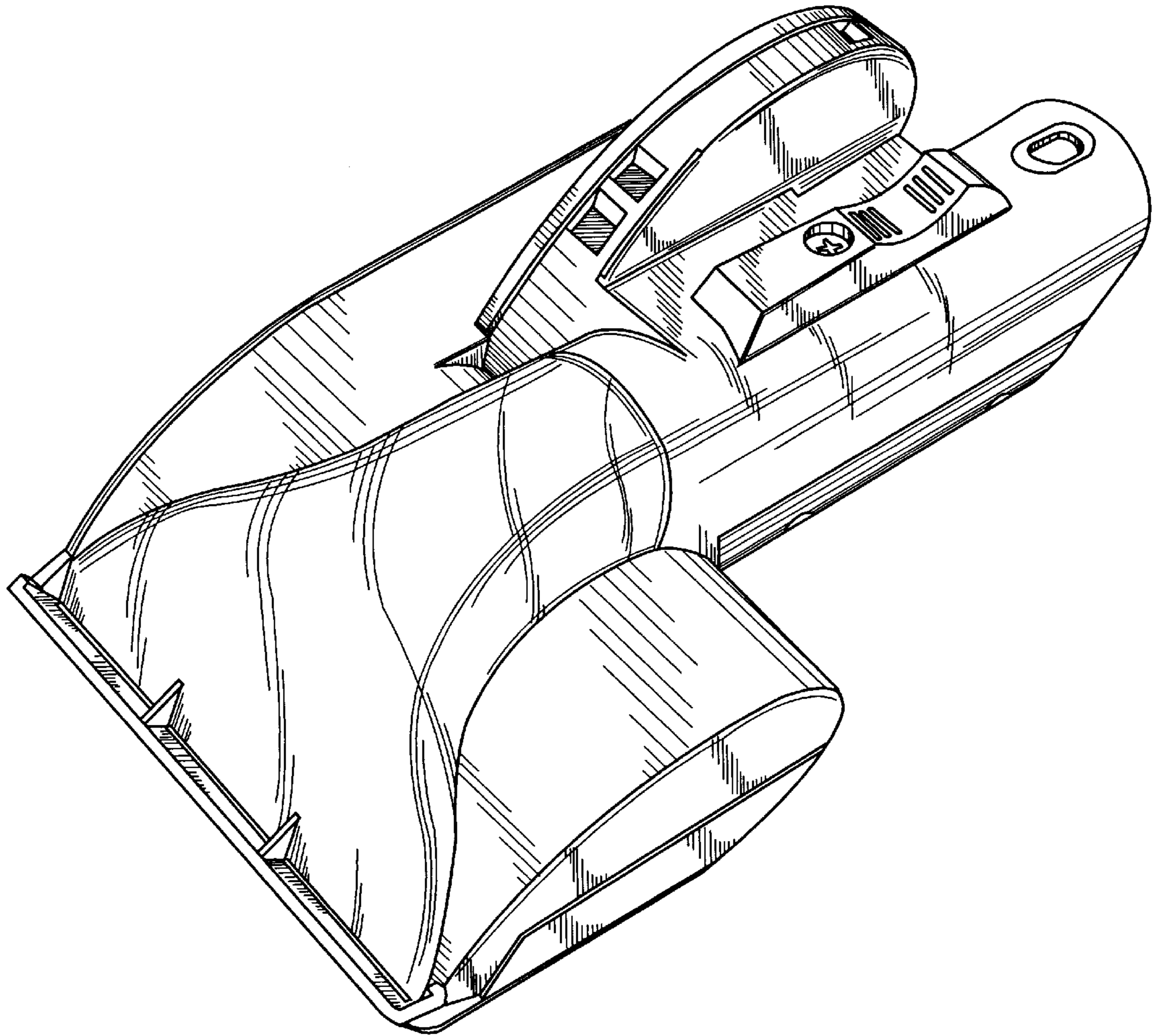


Fig. 1

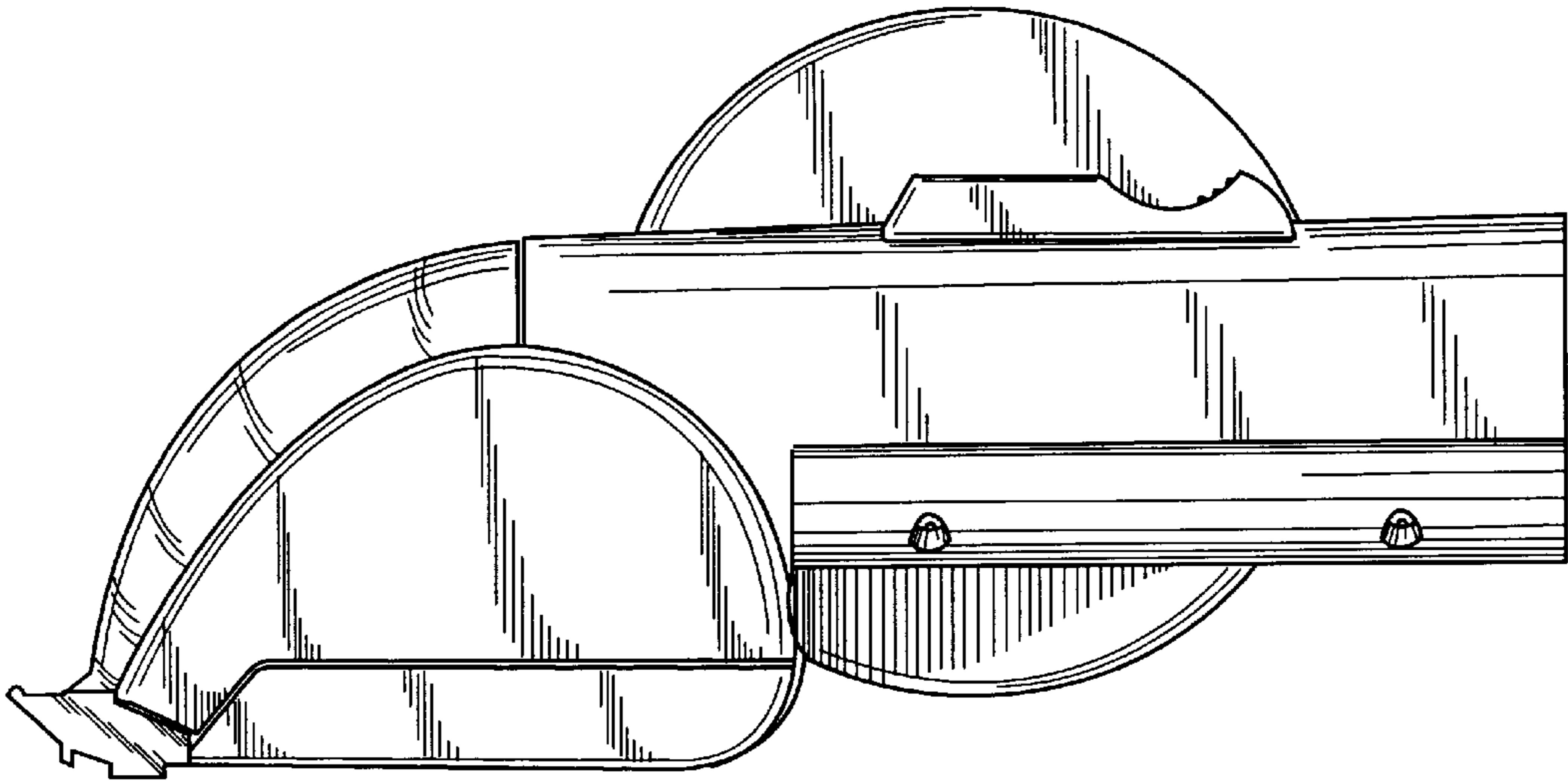


Fig. 2

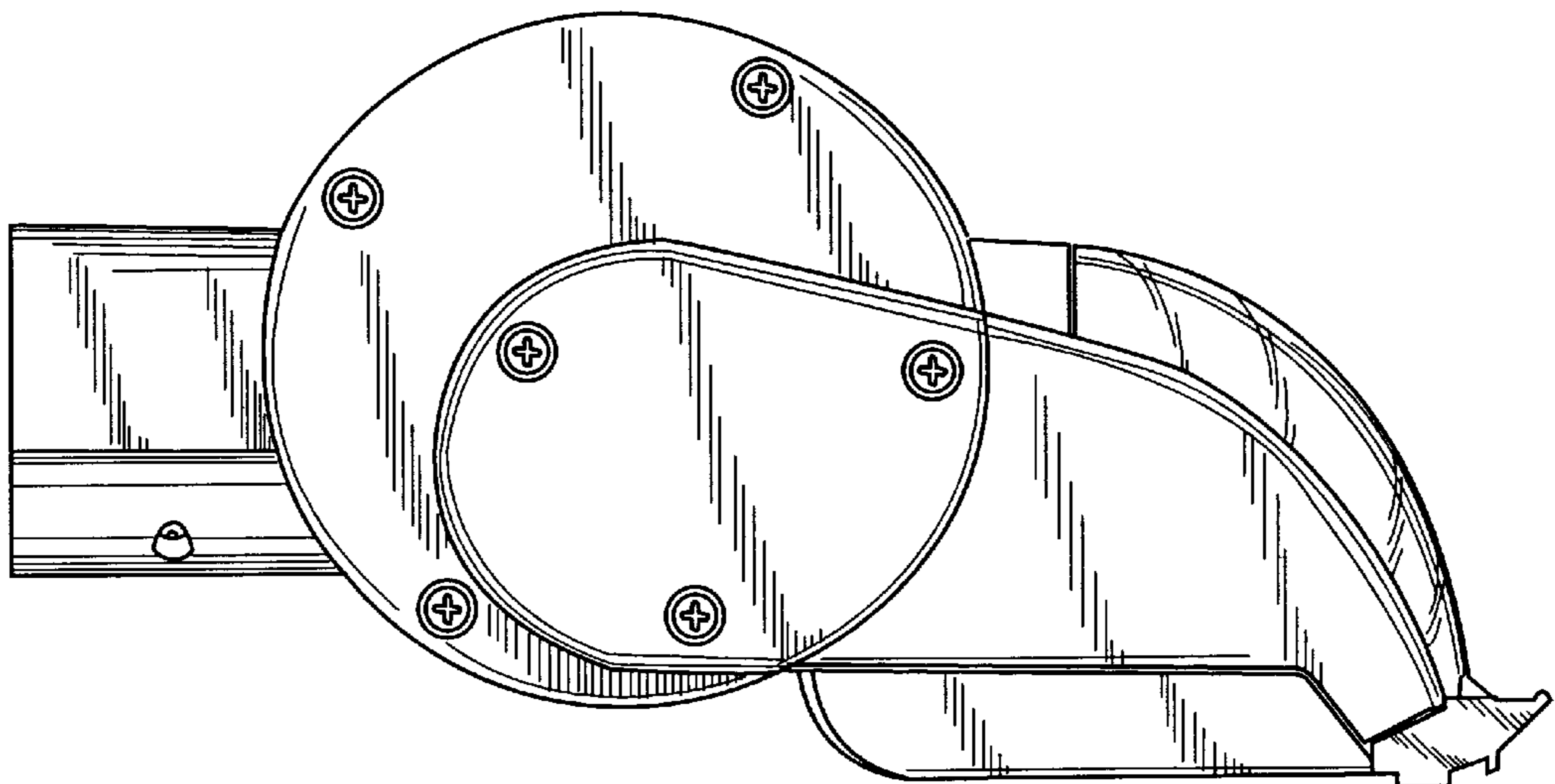


Fig. 3

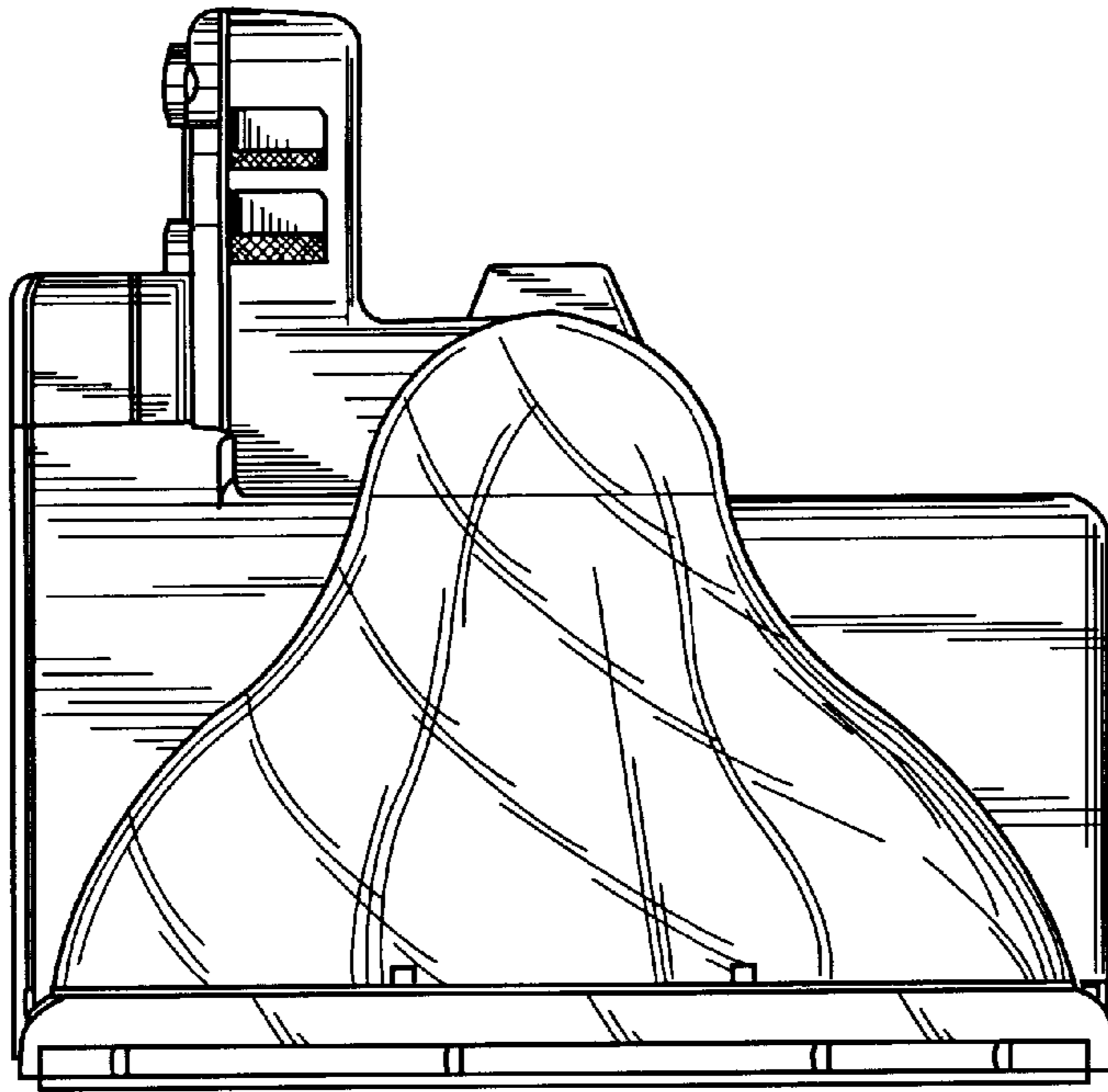


Fig. 4

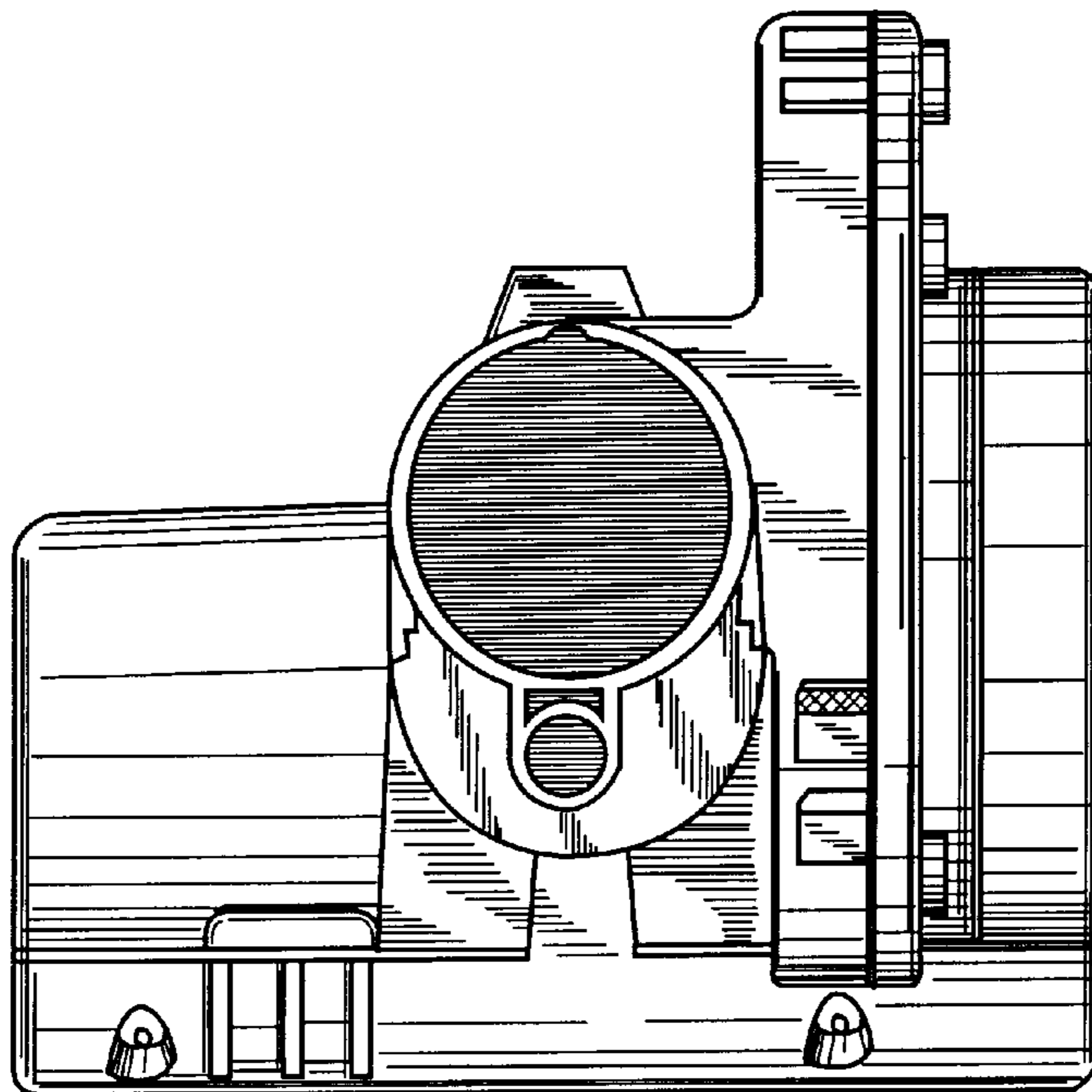


Fig. 5

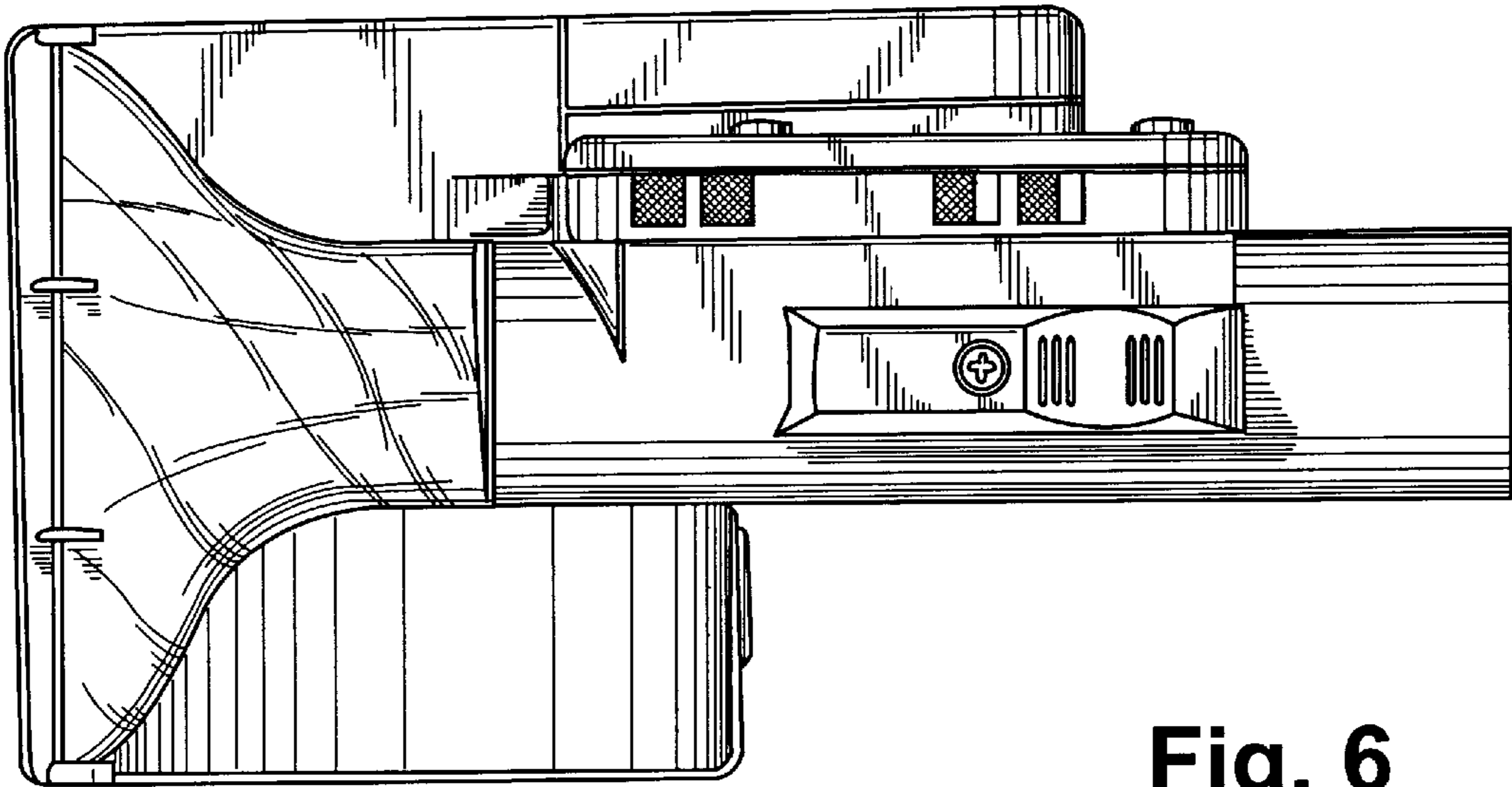


Fig. 6

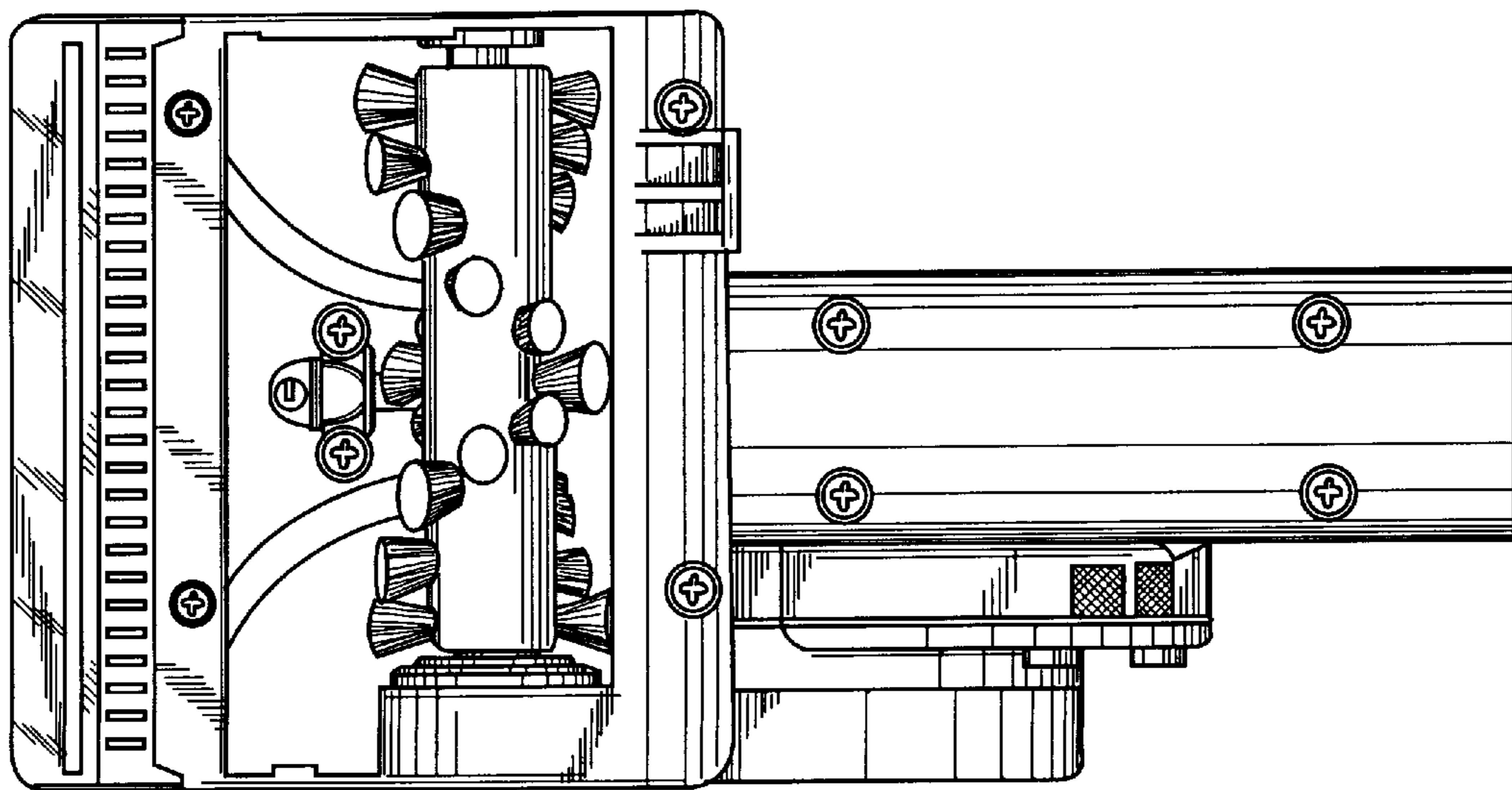


Fig. 7