



US00D419727S

United States Patent [19]

Verkic et al.

[11] Patent Number: Des. 419,727

[45] Date of Patent: ** Jan. 25, 2000

[54] LIGHT SHIELDING HELMET

[75] Inventors: Ivan Verkic; Hans G. Schiebold; Steven Kukec, all of Victoria, Australia

[73] Assignee: Comweld Group Pty., Ltd., Victoria, Australia

[**] Term: 14 Years

[21] Appl. No.: 29/085,019

[22] Filed: Mar. 13, 1998

[51] LOC (7) Cl. 29-02

[52] U.S. Cl. D29/110

[58] Field of Search D29/102-111, D29/122; 2/411, 412, 414, 417, 418, 421, 423, 425

[56] References Cited

U.S. PATENT DOCUMENTS

| | | | | |
|------------|---------|-----------------|-------|---------|
| D. 310,432 | 9/1990 | Boochard | | D29/9 |
| D. 322,493 | 12/1991 | Metzger | | D29/9 |
| D. 324,588 | 3/1992 | Metzger | | D29/9 |
| D. 355,053 | 1/1995 | Honrud | | D29/110 |
| D. 365,666 | 12/1995 | Gumpp | | D29/110 |
| D. 393,933 | 4/1998 | Huh | | D29/110 |
| D. 394,732 | 5/1998 | Huh | | D29/110 |
| D. 398,421 | 9/1998 | Crafoord et al. | | D29/110 |
| 2,270,028 | 1/1942 | Anderson | | 2/8 |
| 2,628,530 | 2/1953 | Rabben | | 88/41 |

(List continued on next page.)

OTHER PUBLICATIONS

Arcmaster Brochure, "Eagle Series Setting New Standards." (Date Predates Filing Date).

(List continued on next page.)

Primary Examiner—Ruth McInroy
Attorney, Agent, or Firm—Senniger, Powers, Leavitt & Roedel

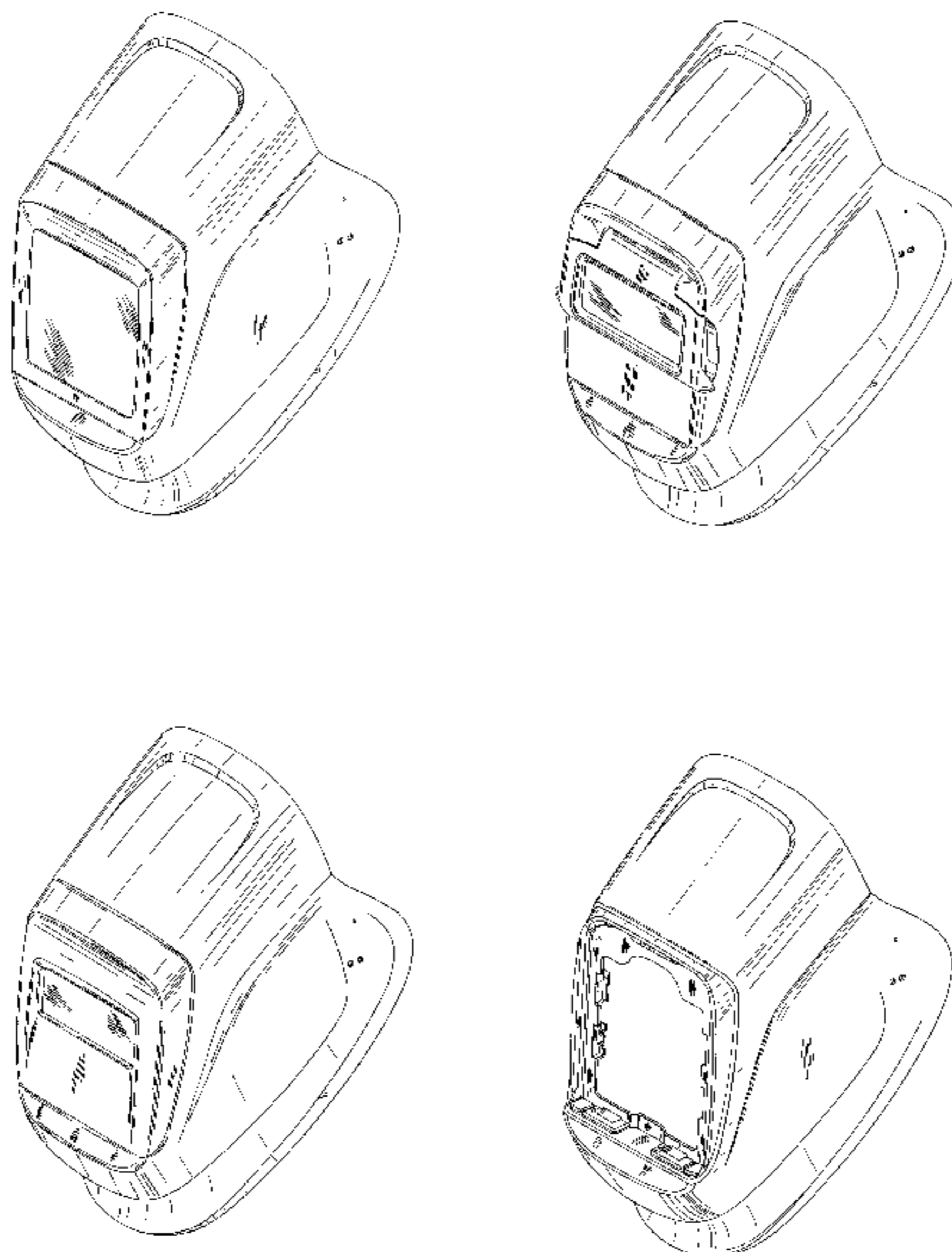
[57] CLAIM

The ornamental design for a light shielding helmet, as shown and described.

DESCRIPTION

FIG. 1 is a front perspective view of a light shielding helmet showing our new design;
 FIG. 2 is a front view thereof;
 FIG. 3 is a rear view thereof;
 FIG. 4 is a right side view thereof, the left side being a mirror image;
 FIG. 5 is a bottom view thereof;
 FIG. 6 is a top view thereof;
 FIG. 7 is a front perspective view of a second embodiment thereof, having a second lens assembly;
 FIG. 8 is a front view of FIG. 7;
 FIG. 9 is a rear view of FIG. 7;
 FIG. 10 is a right side view of FIG. 7, the left side being a mirror image;
 FIG. 11 is a bottom view of FIG. 7;
 FIG. 12 is a top view of FIG. 7;
 FIG. 13 is a front perspective view of a third embodiment thereof, having a third lens assembly;
 FIG. 14 is a front view of FIG. 13;
 FIG. 15 is a rear view of FIG. 13;
 FIG. 16 is a right side view of FIG. 13, the left side being a mirror image;
 FIG. 17 is a bottom view of FIG. 13;
 FIG. 18 is a top view of FIG. 13;
 FIG. 19 is a front perspective view of a light shielding helmet shell on which the lens assemblies are mounted, the shell shown separate in FIGS. 19-24 for clarity of illustration, the claim being directed to the helmet shown in FIGS. 1-18;
 FIG. 20 is a front view of FIG. 19;
 FIG. 21 is a rear view of FIG. 19;
 FIG. 22 is a right side view of FIG. 19, the left side being a mirror image;
 FIG. 23 is a bottom view of FIG. 19; and,
 FIG. 24 is a top view of FIG. 19.

1 Claim, 24 Drawing Sheets



U.S. PATENT DOCUMENTS

| | | | |
|-----------|---------|---------------------|------------|
| 3,251,065 | 5/1966 | Caldwell | 2/8 |
| 3,257,667 | 6/1966 | Anderson | 2/8 |
| 3,415,595 | 12/1968 | Nelson | 351/44 |
| 3,440,661 | 4/1969 | Newcomb | 2/14 |
| 3,444,561 | 5/1969 | Boyer | 2/8 |
| 3,577,563 | 5/1971 | Raschke | 2/8 |
| 4,101,979 | 7/1978 | Tarrone | 2/8 |
| 4,114,198 | 9/1978 | Sands | 2/8 |
| 4,774,723 | 10/1988 | Ruck | 2/8 |
| 4,853,973 | 8/1989 | Boochar | 2/8 |
| 4,945,572 | 8/1990 | Rosen | 2/8 |
| 4,989,598 | 2/1991 | Berg et al. | 128/206.23 |
| 5,062,156 | 11/1991 | Siegal | 2/8 |
| 5,140,707 | 8/1992 | Johnson | 2/8 |
| 5,224,219 | 7/1993 | Edwards et al. | 2/8 |

5,533,206 7/1996 Petrie et al. 2/8

OTHER PUBLICATIONS

Cigweld Brochure, "Safety Equipment Product Guide," Mar., 1996.
Euromaski Brochure, "Euromaski®," 1996.
MORSAFE Brochure, "XP5 Distributor Price List," Aug., 1996.
Optrel Brochure (represented by Harris-Welco), "This Is How Safe Welding Should Be." (Date Predates Filing Date).
Hornell Speedglas Inc. Brochure, "Speedglas® 9000 Quick Notes Sheet for Lens & Helmet," 1997.
Hornell Speedglas Inc. Brochure, "Speedglas®", (Date Predates Filing Date).

FIG. 1

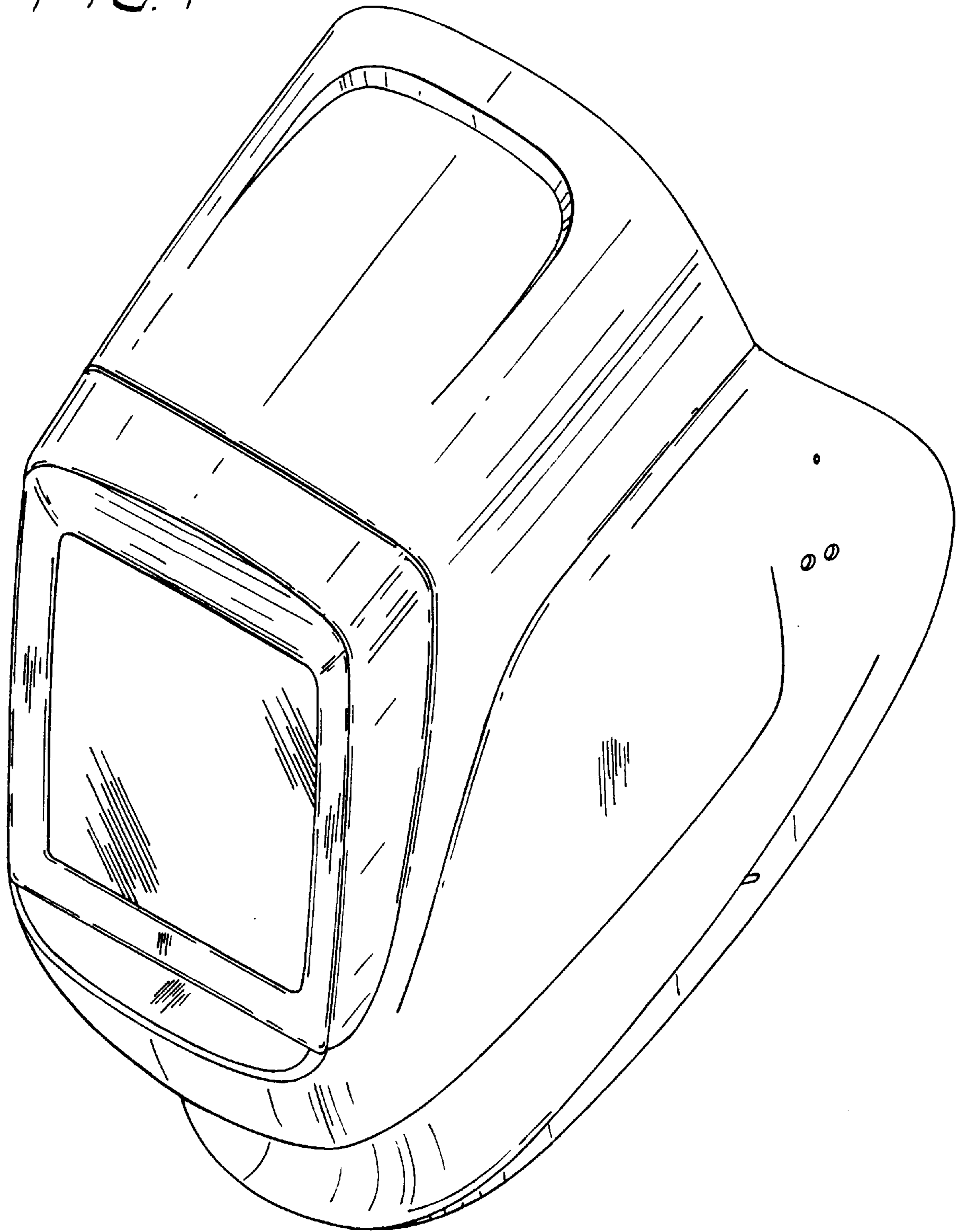


FIG. 2

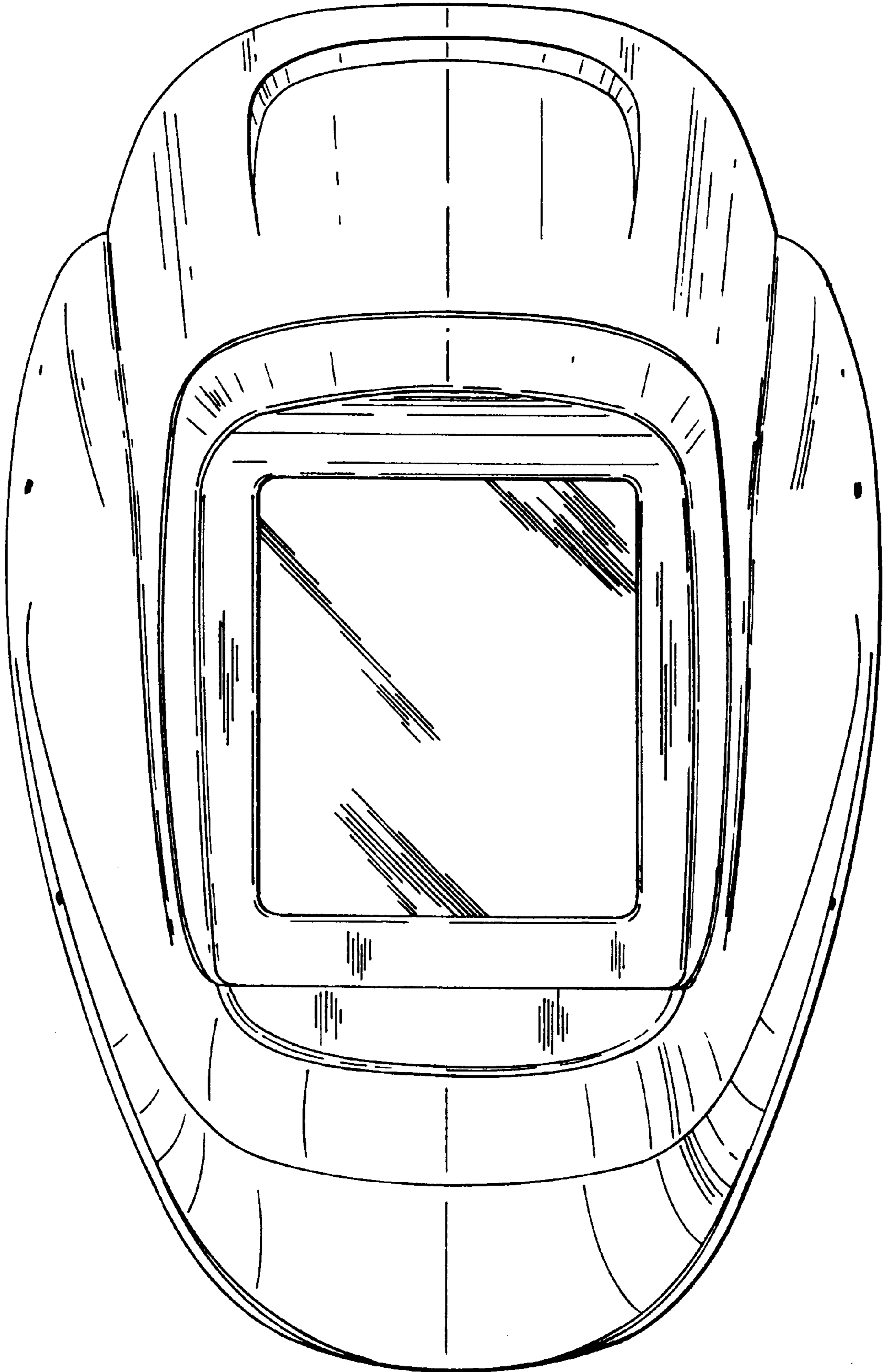


FIG. 3

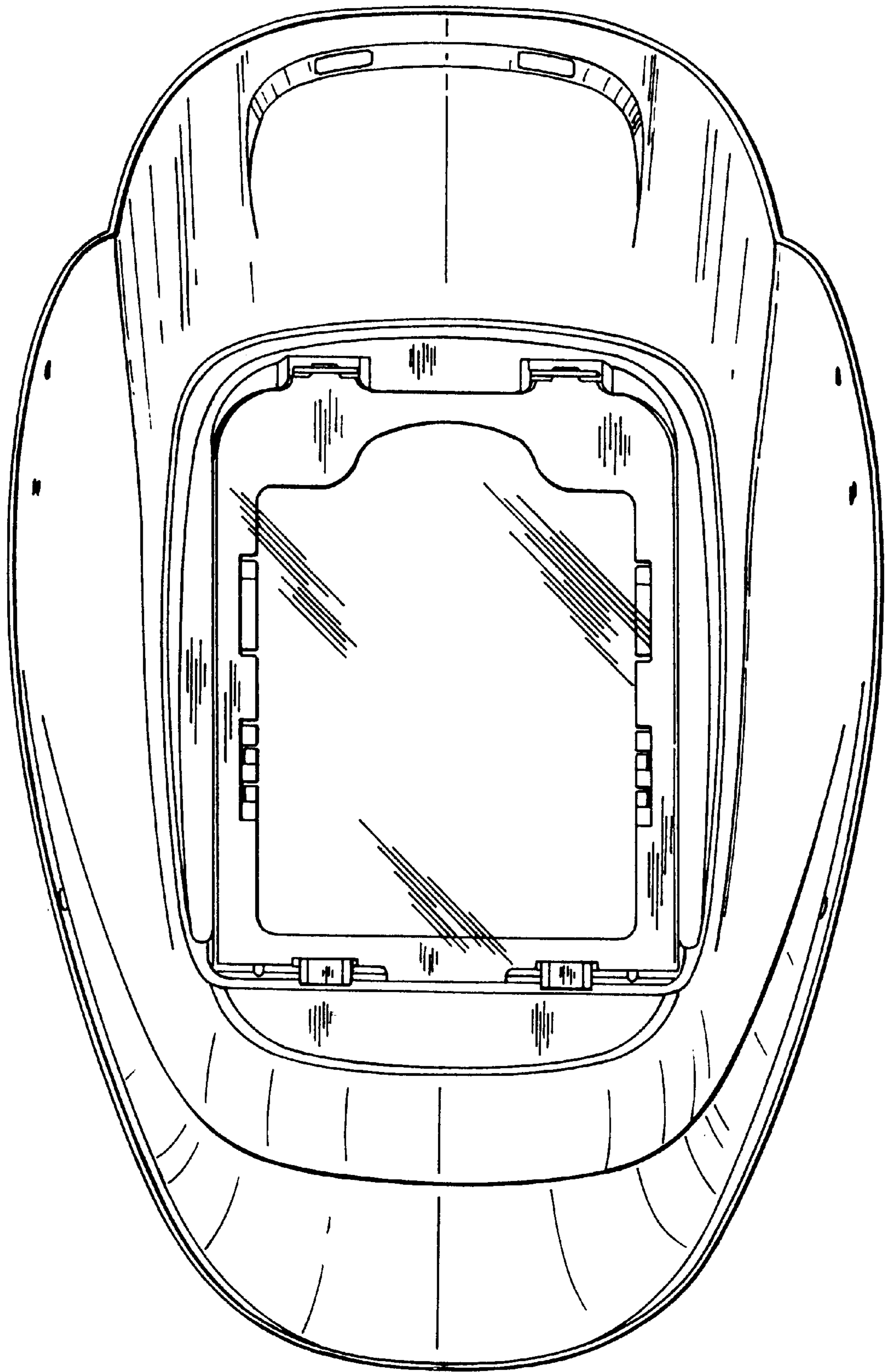


FIG. 4

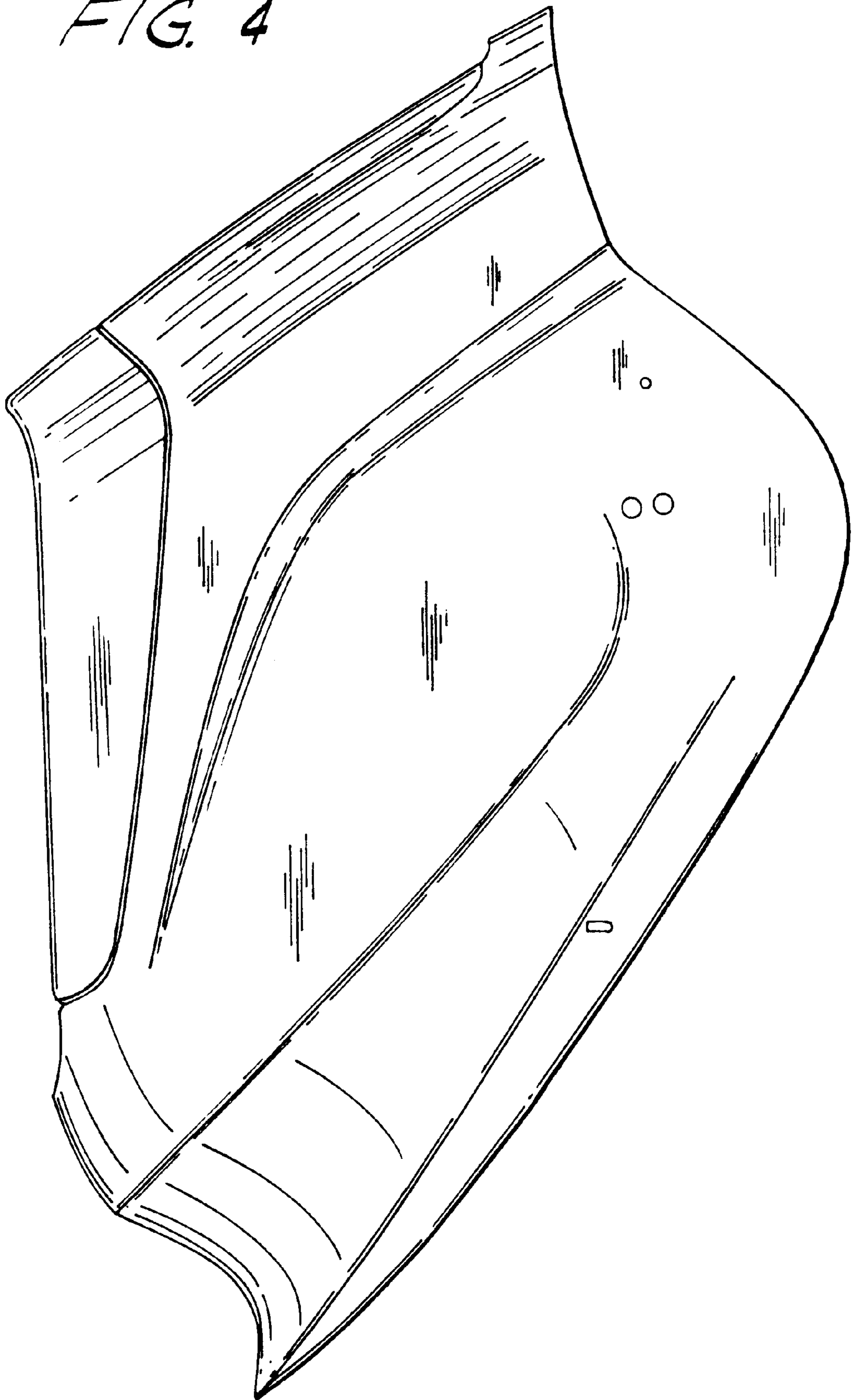


FIG. 5

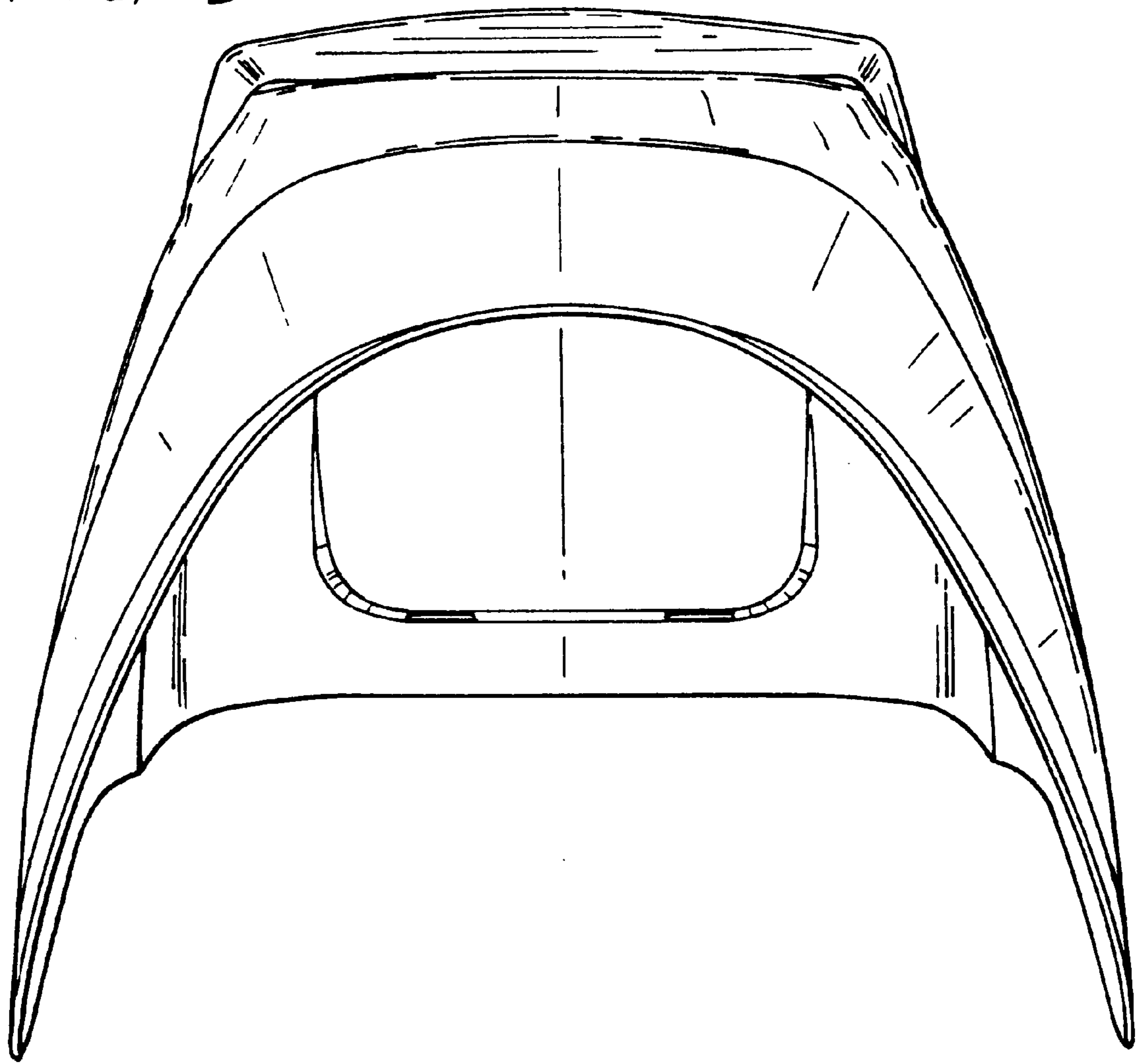


FIG. 6

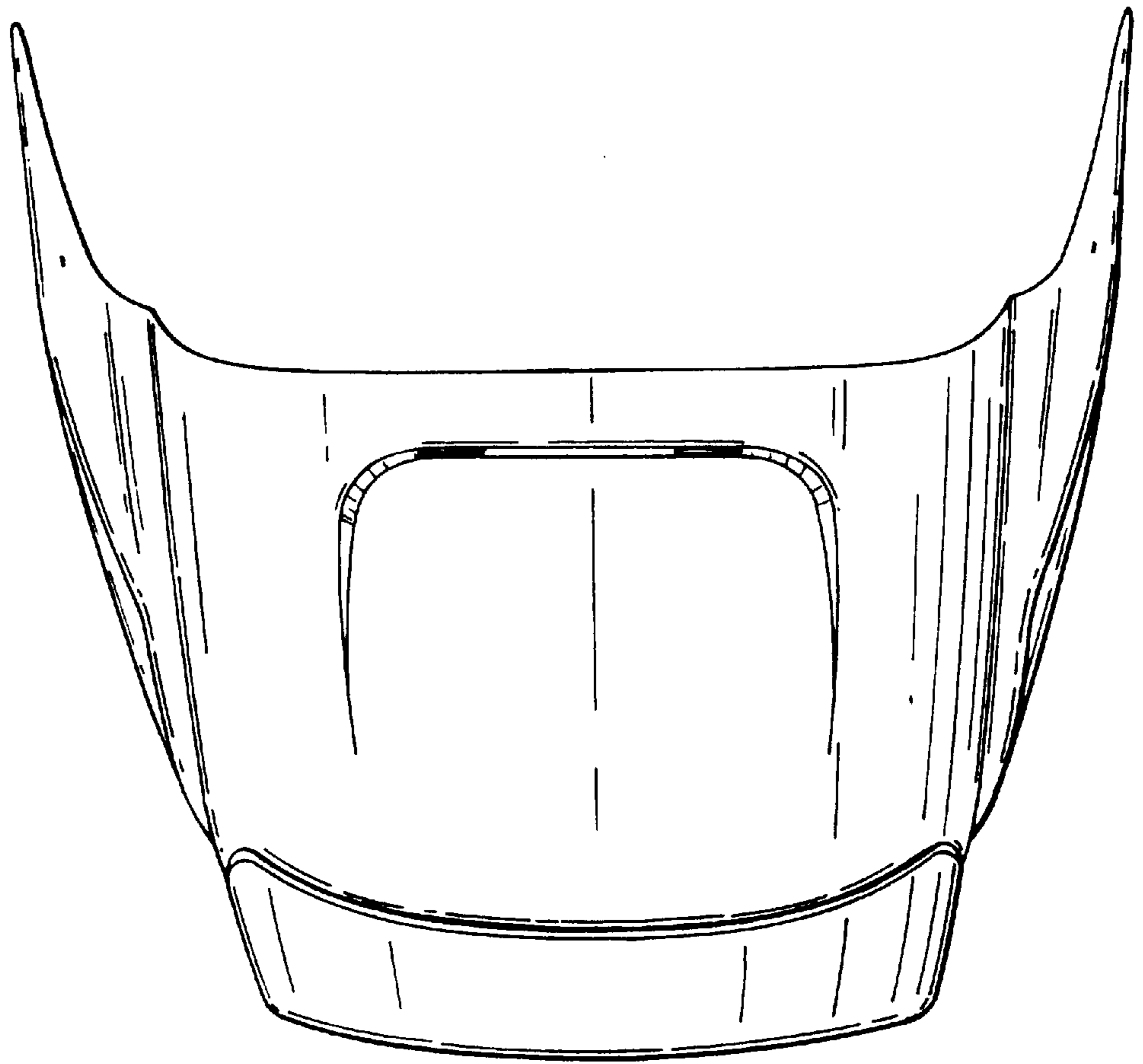


FIG. 7

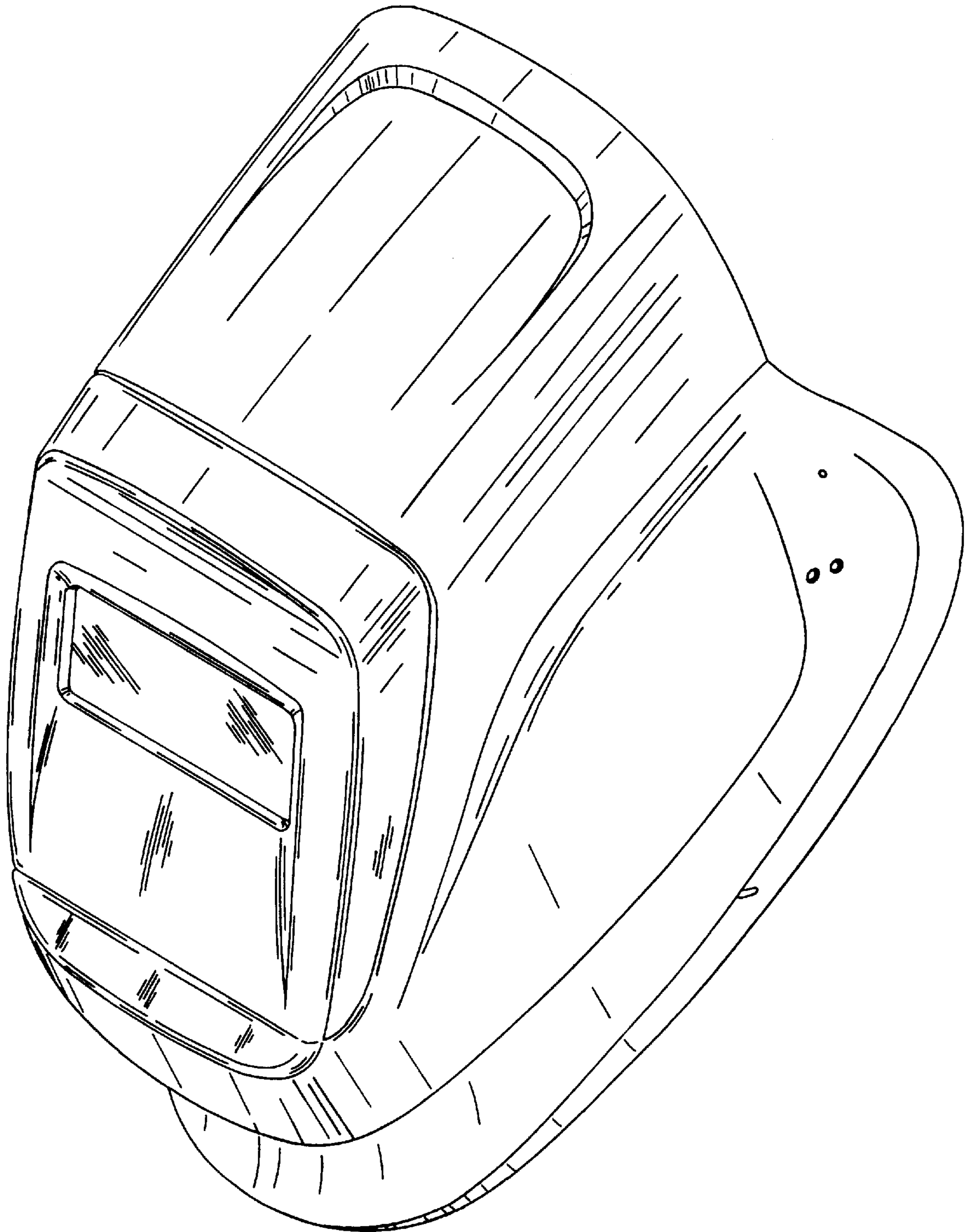


FIG. 8

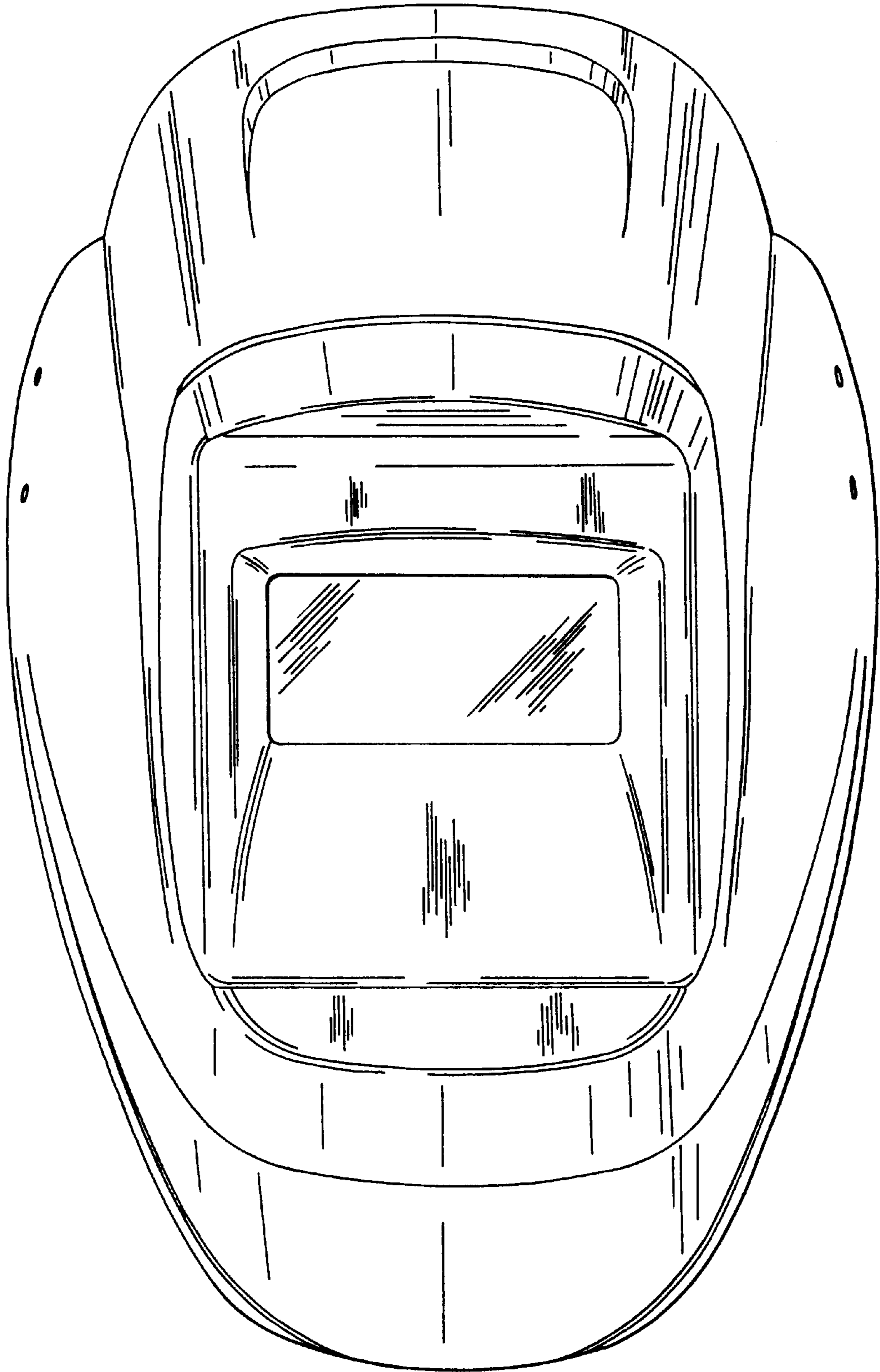


FIG. 9

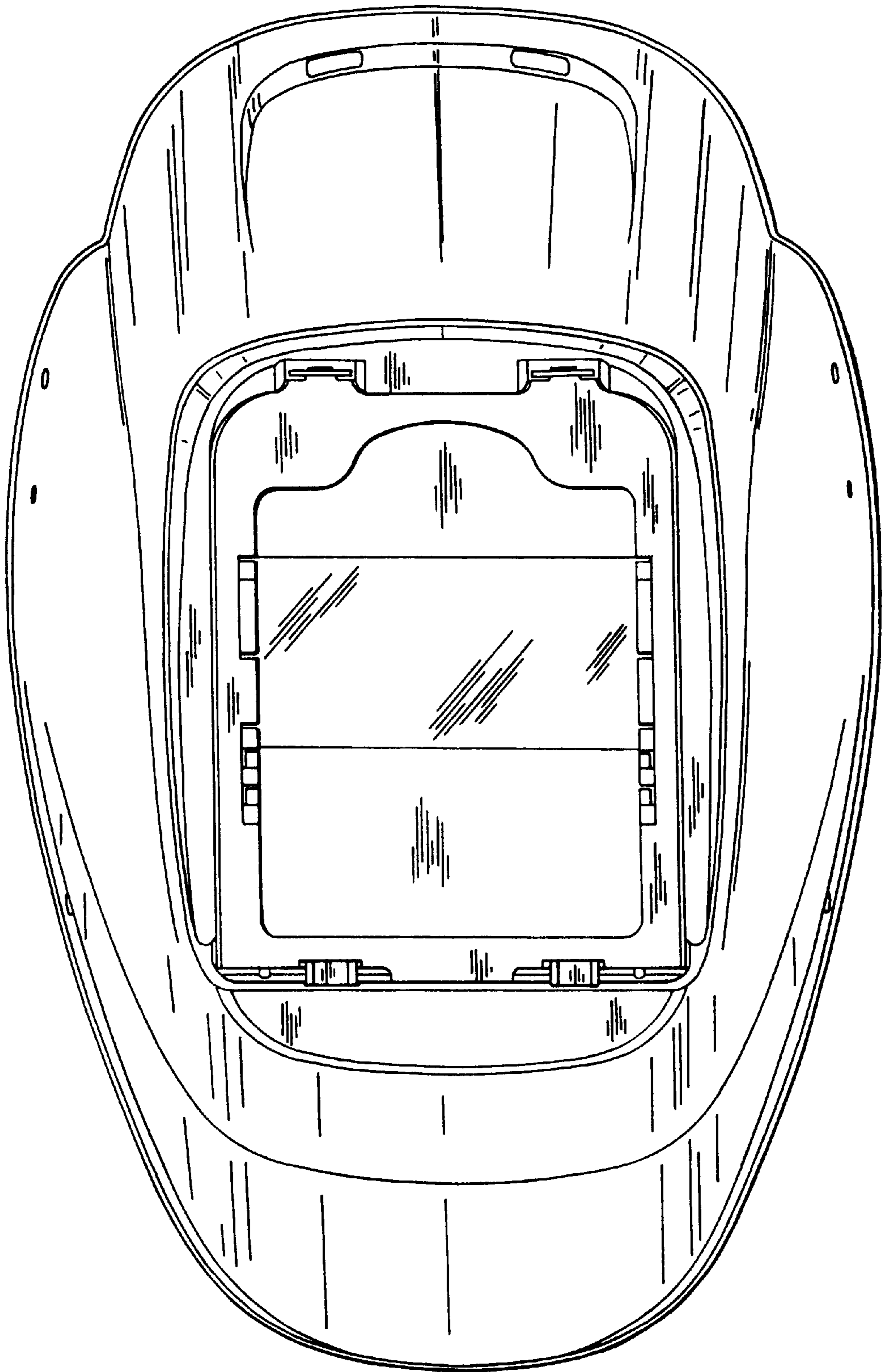


FIG. 10

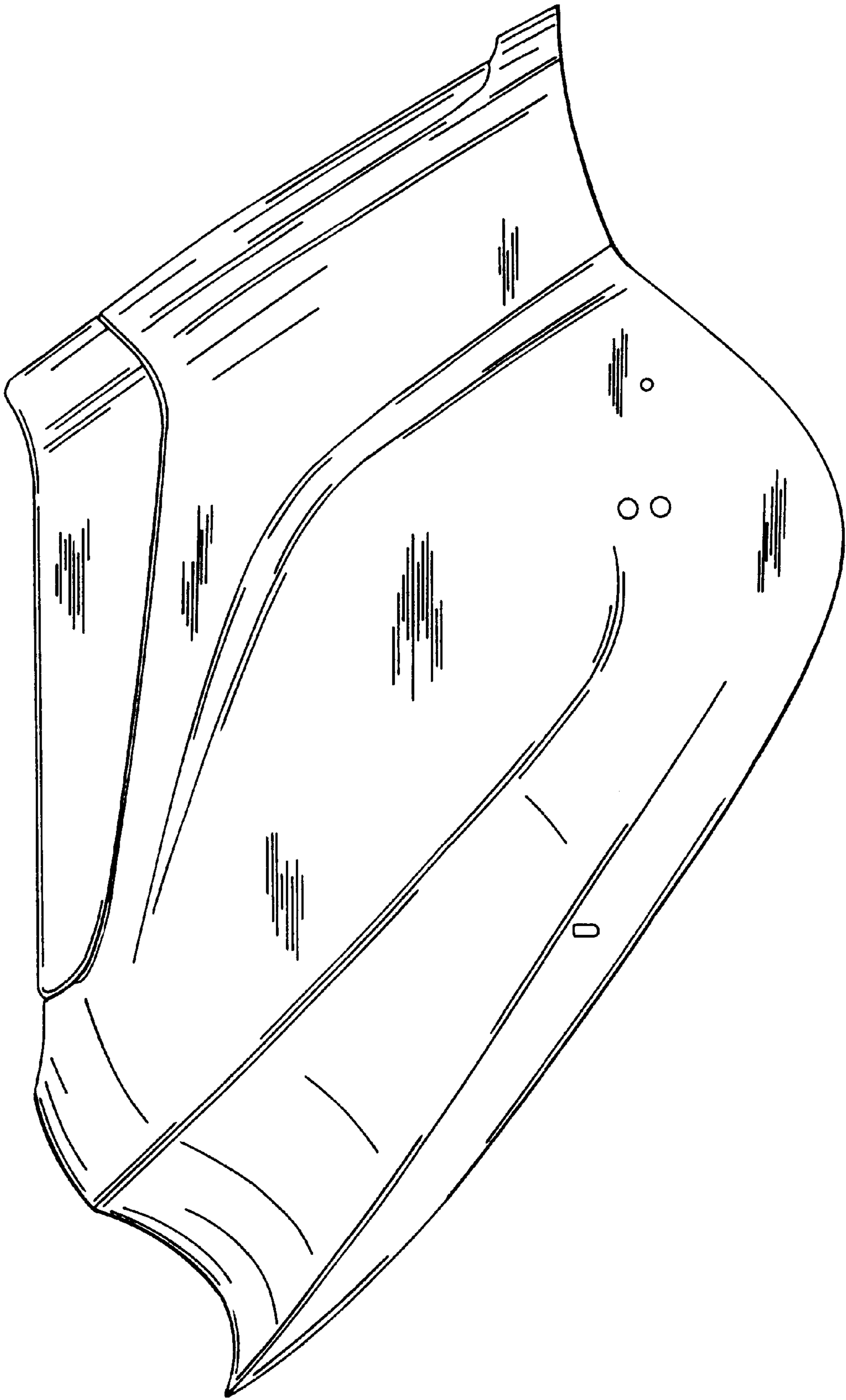


FIG. 11

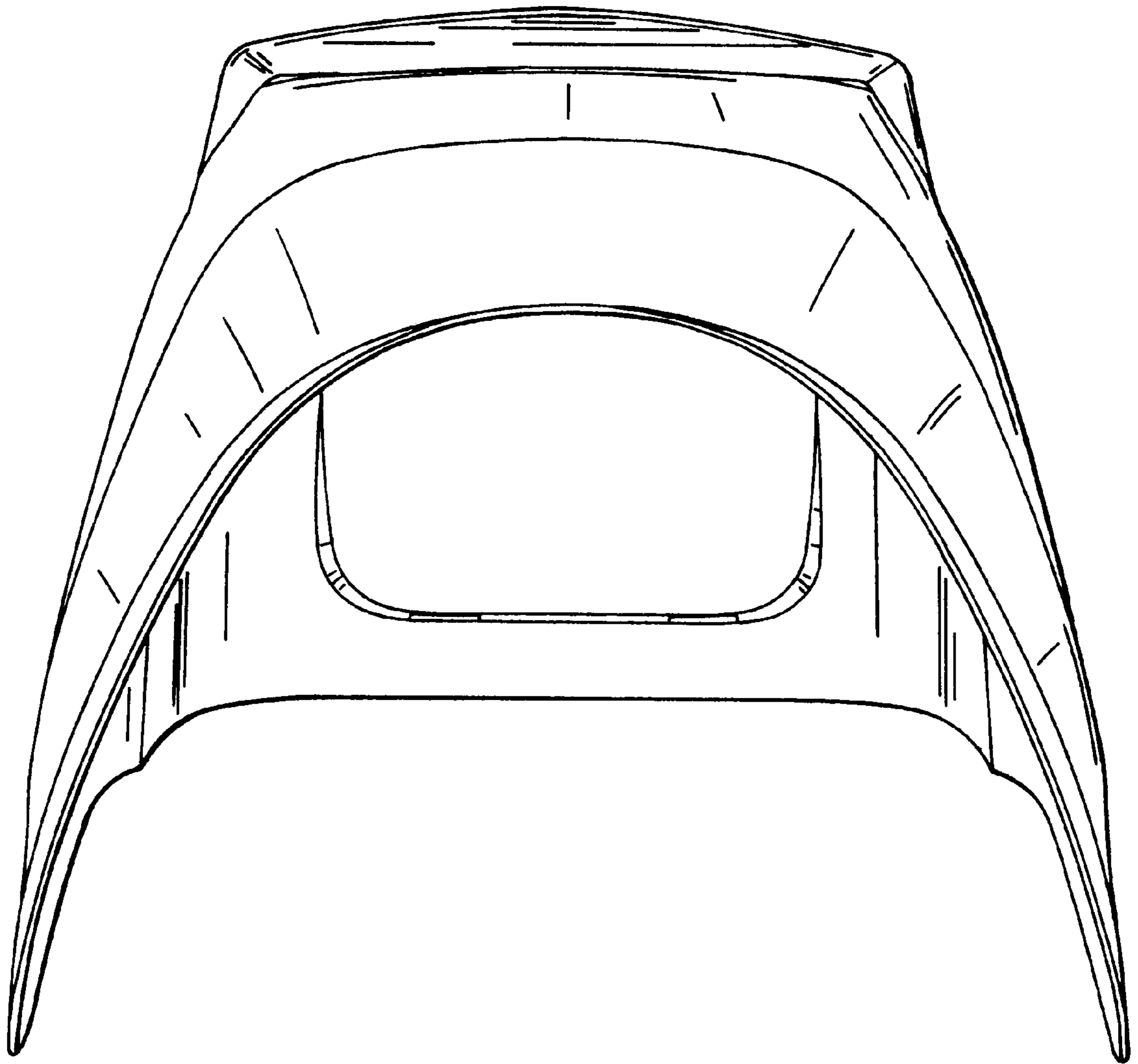


FIG. 12

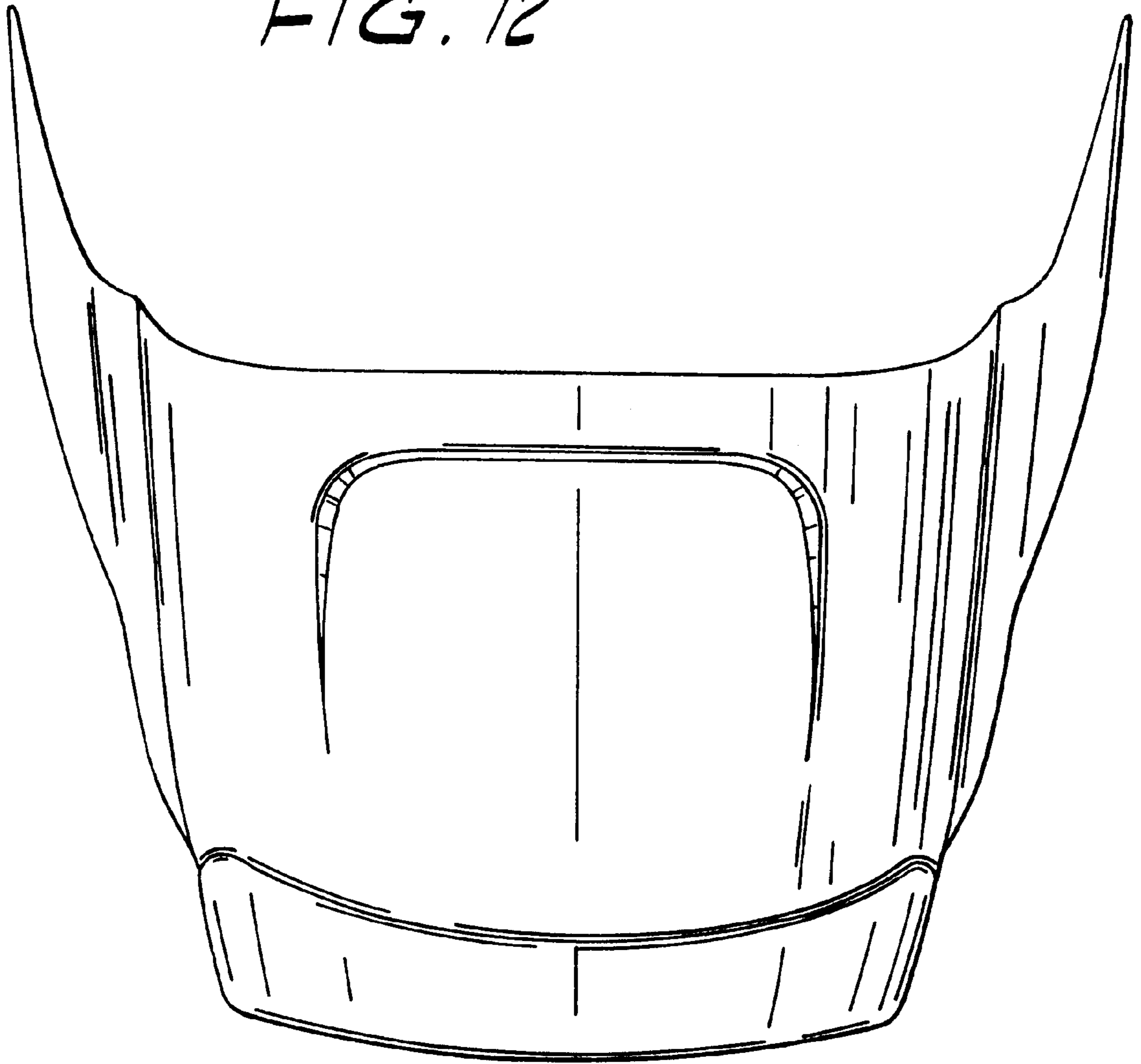


FIG. 13

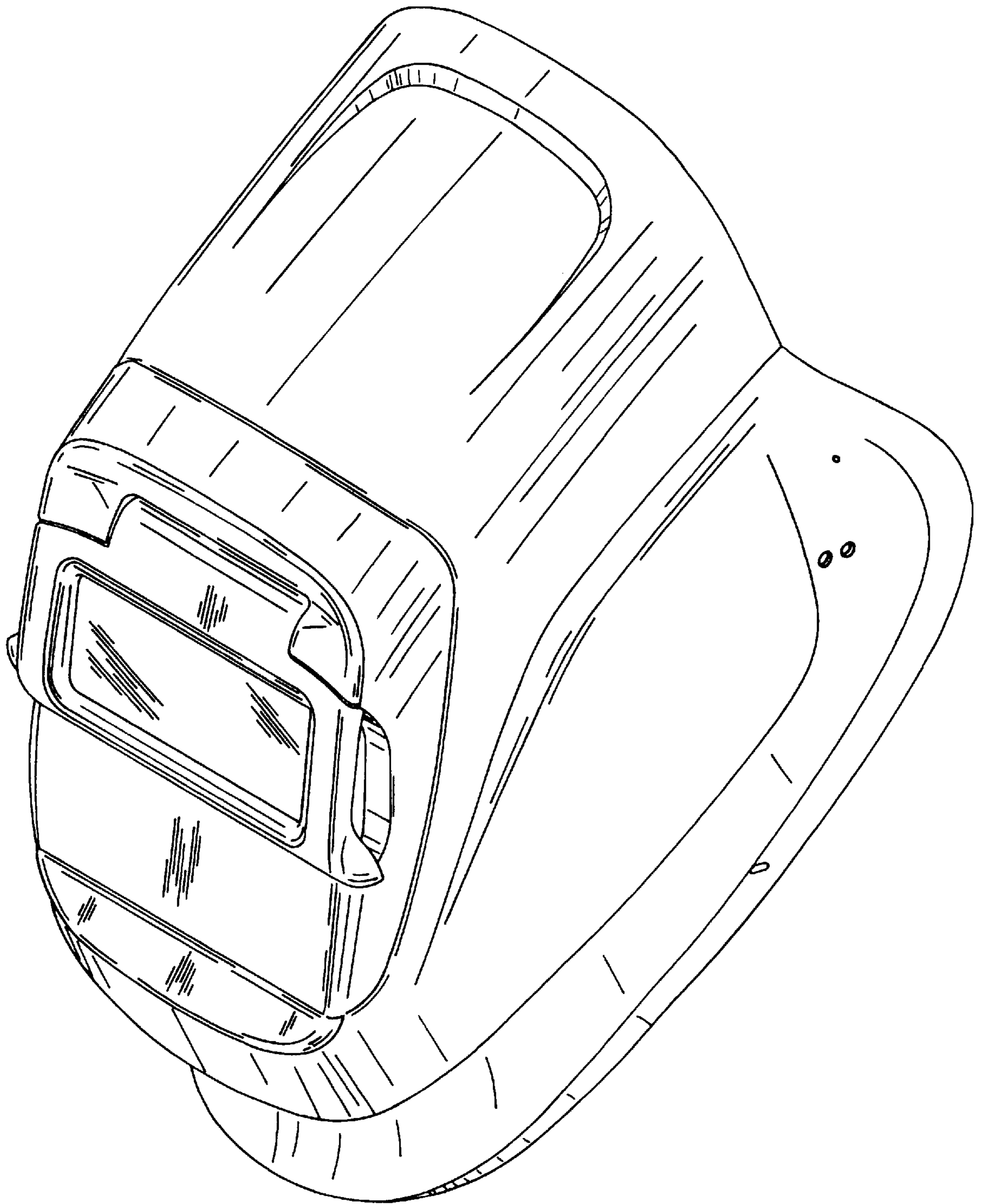


FIG. 14

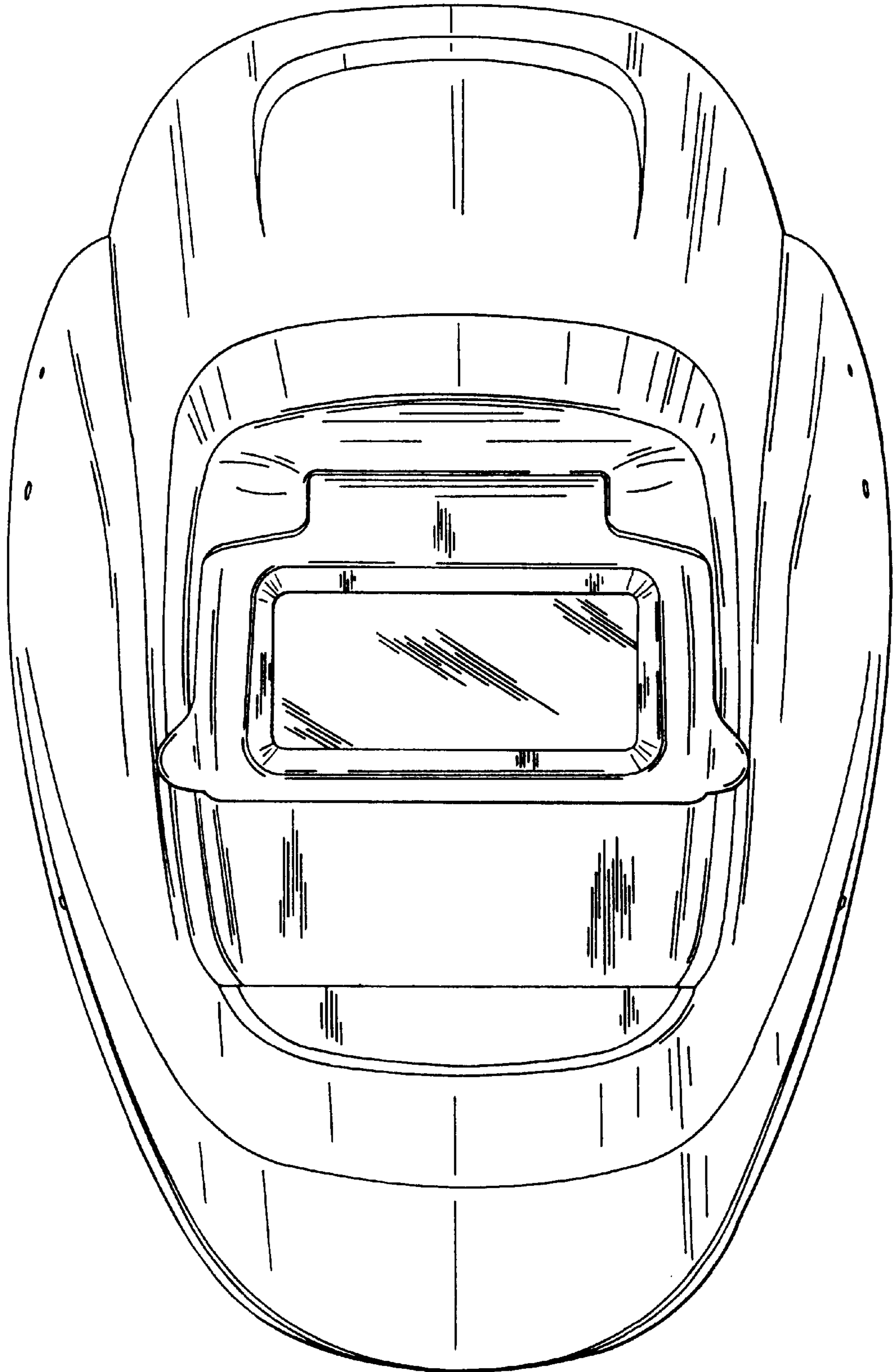


FIG. 15

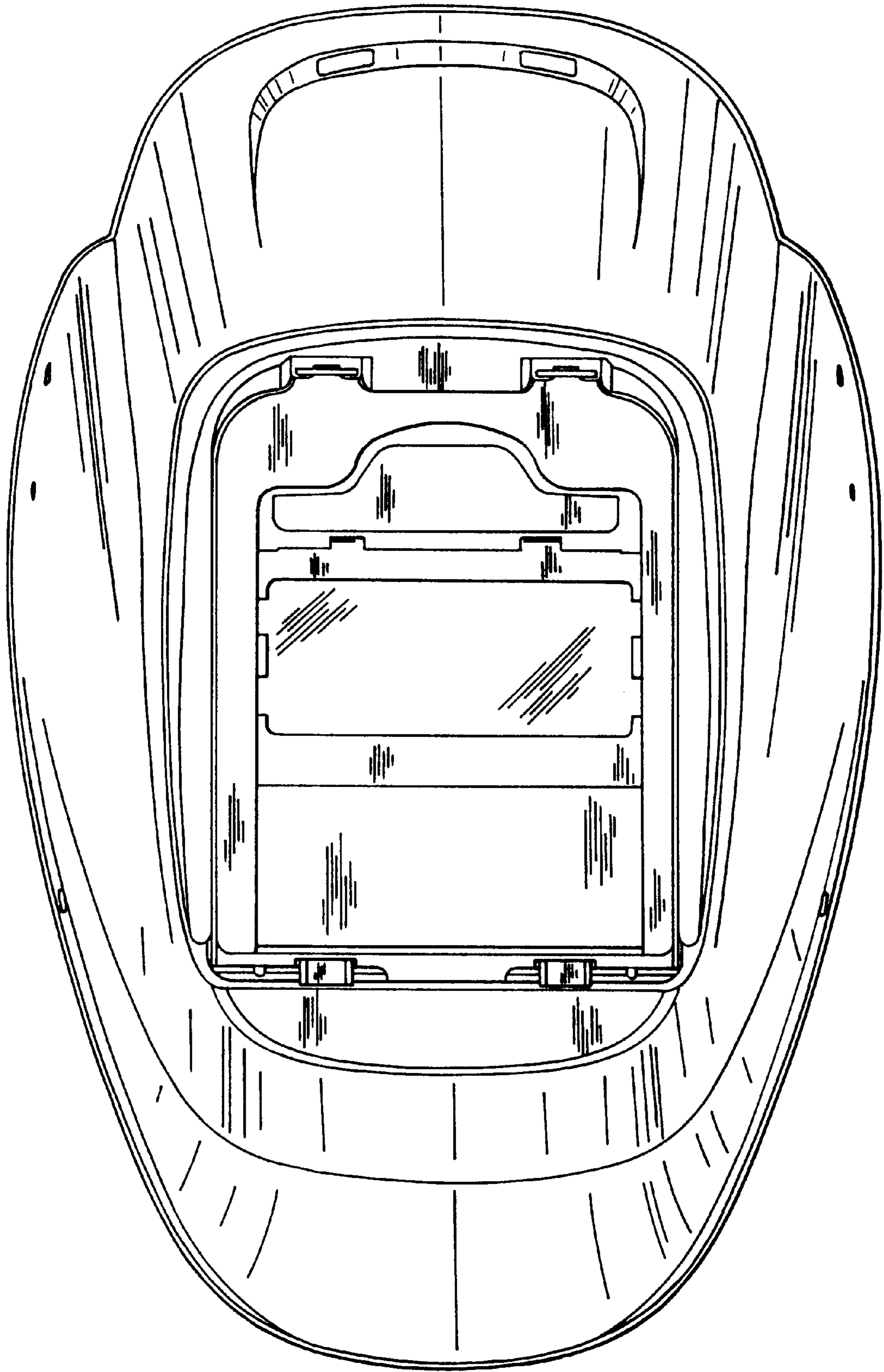


FIG. 16

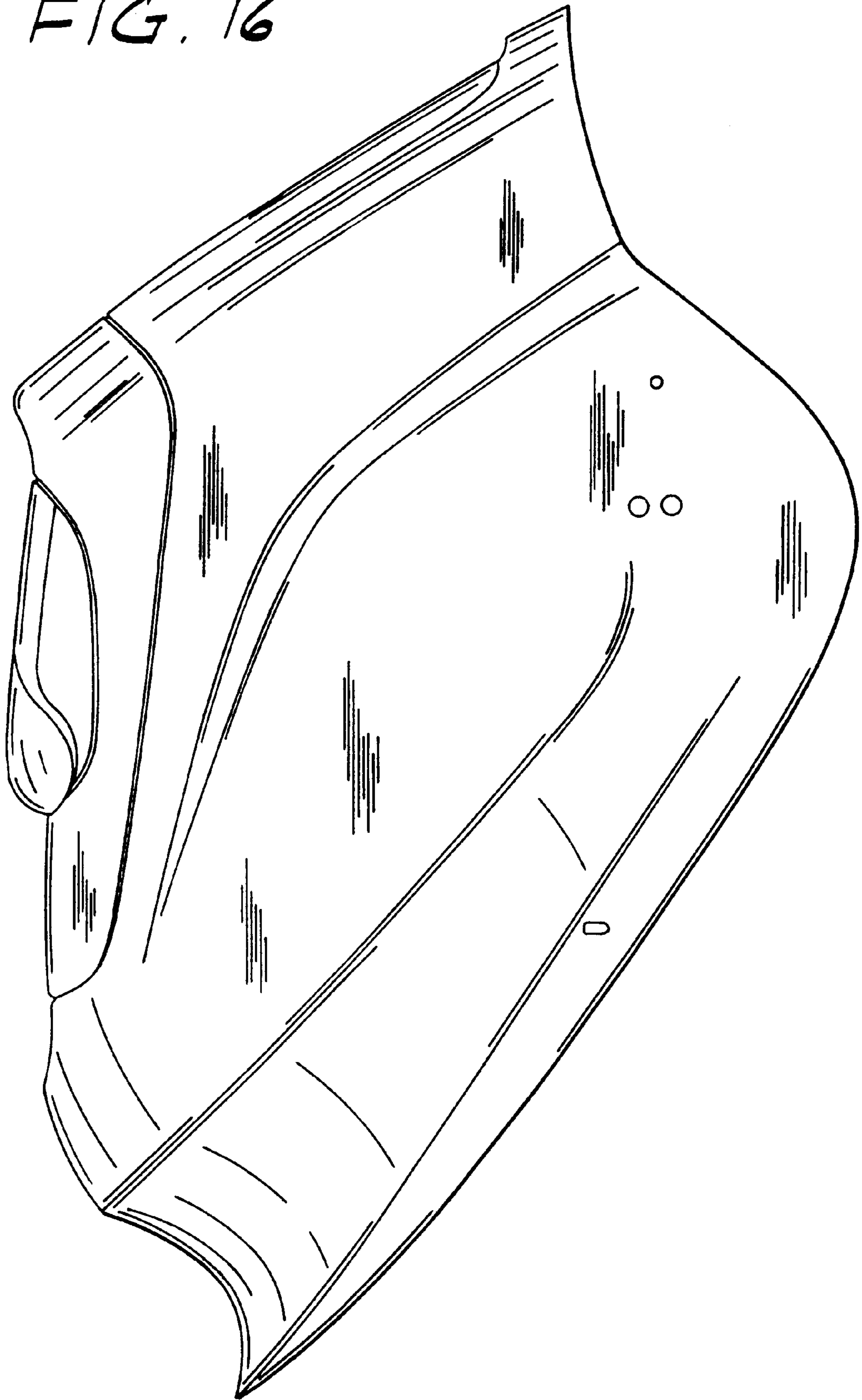


FIG. 17

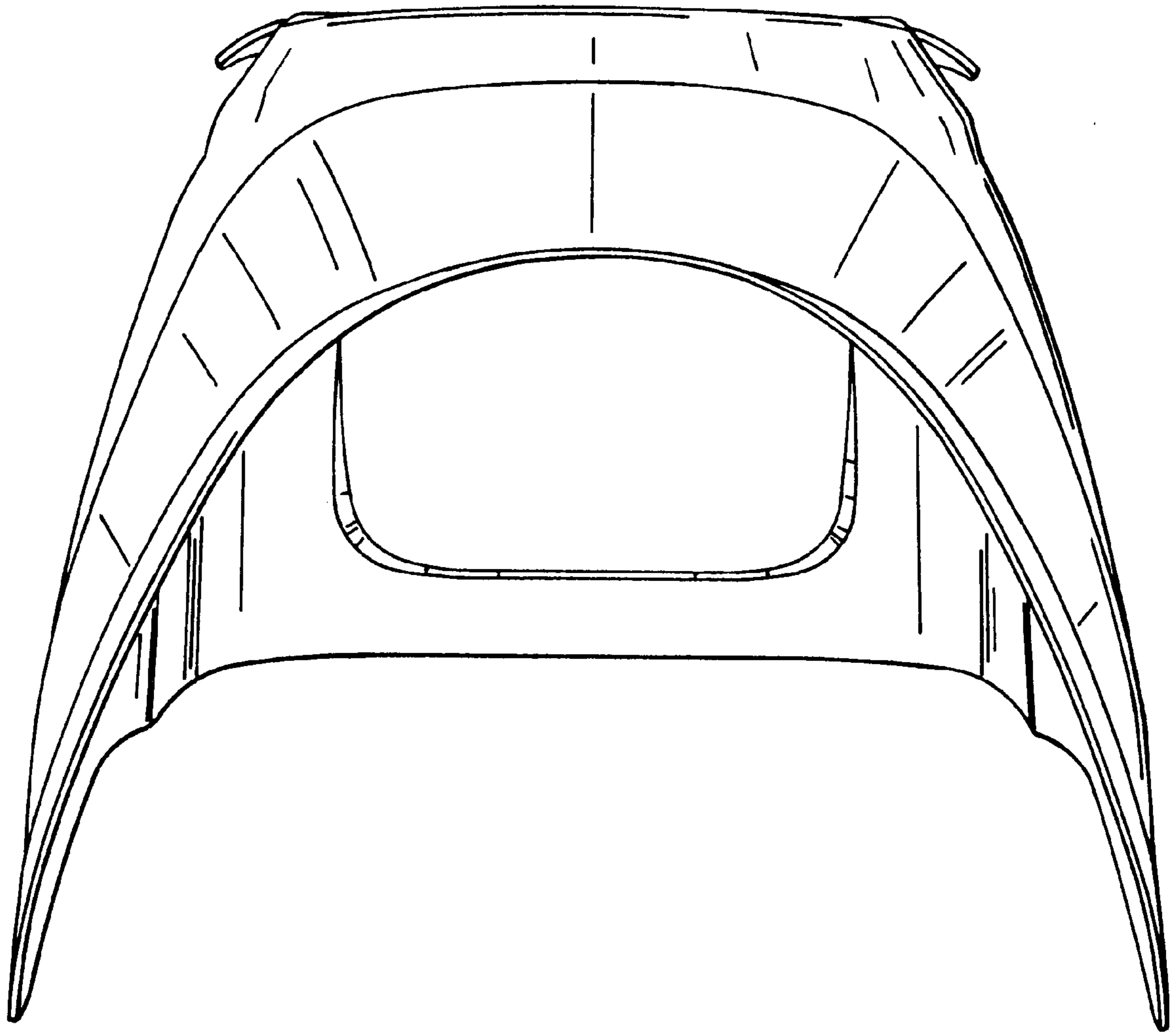


FIG. 18

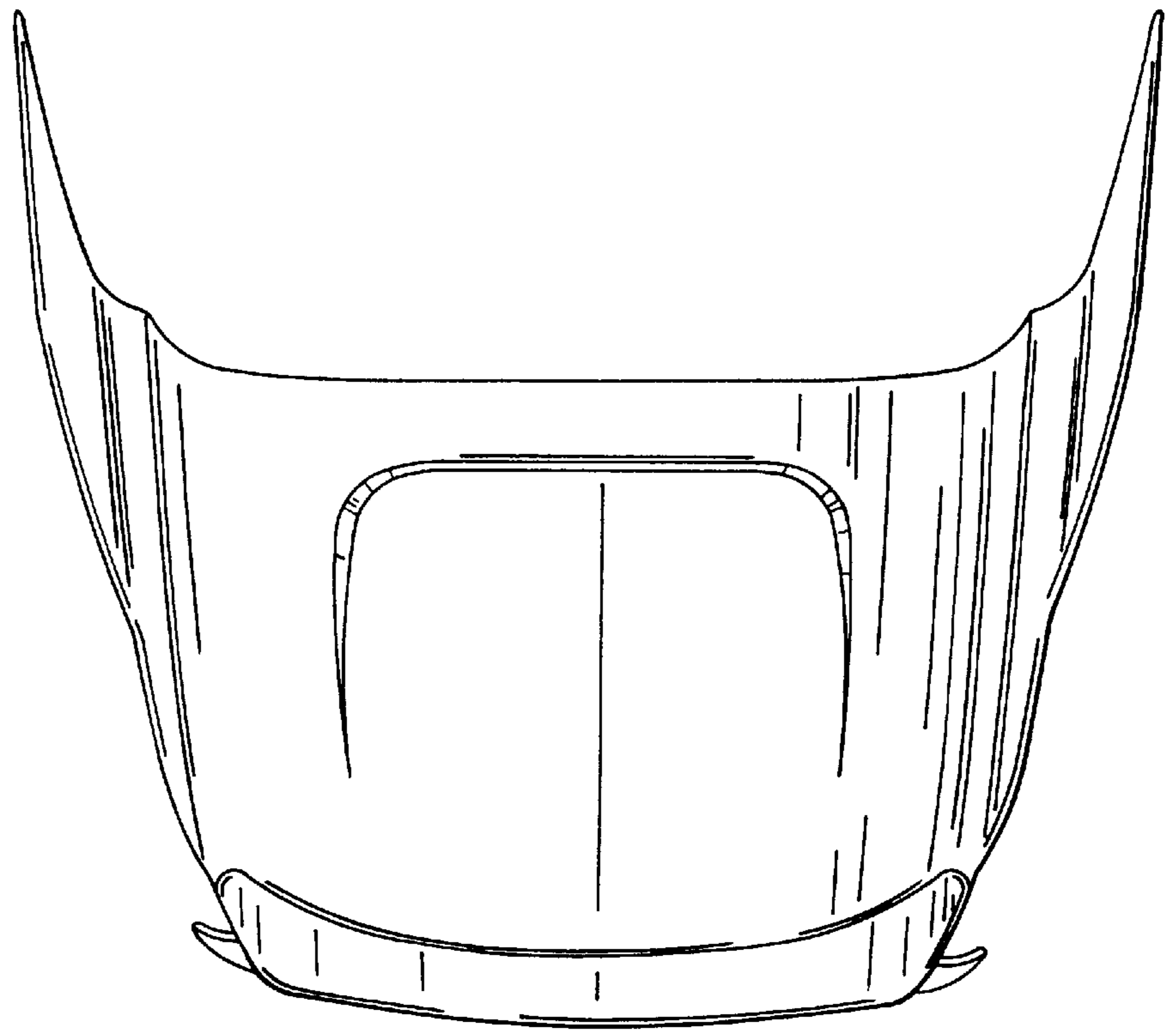


FIG. 19

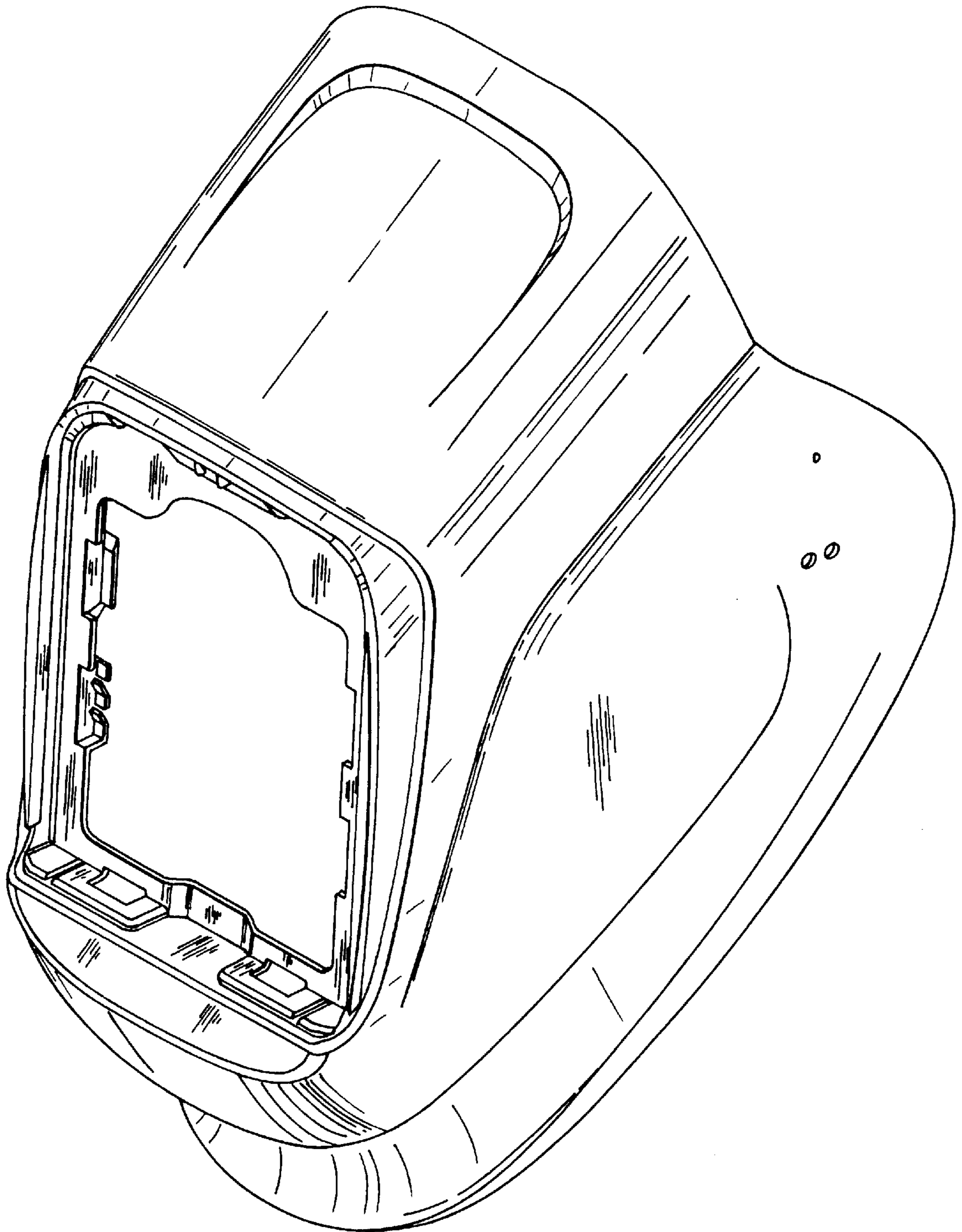


FIG. 20

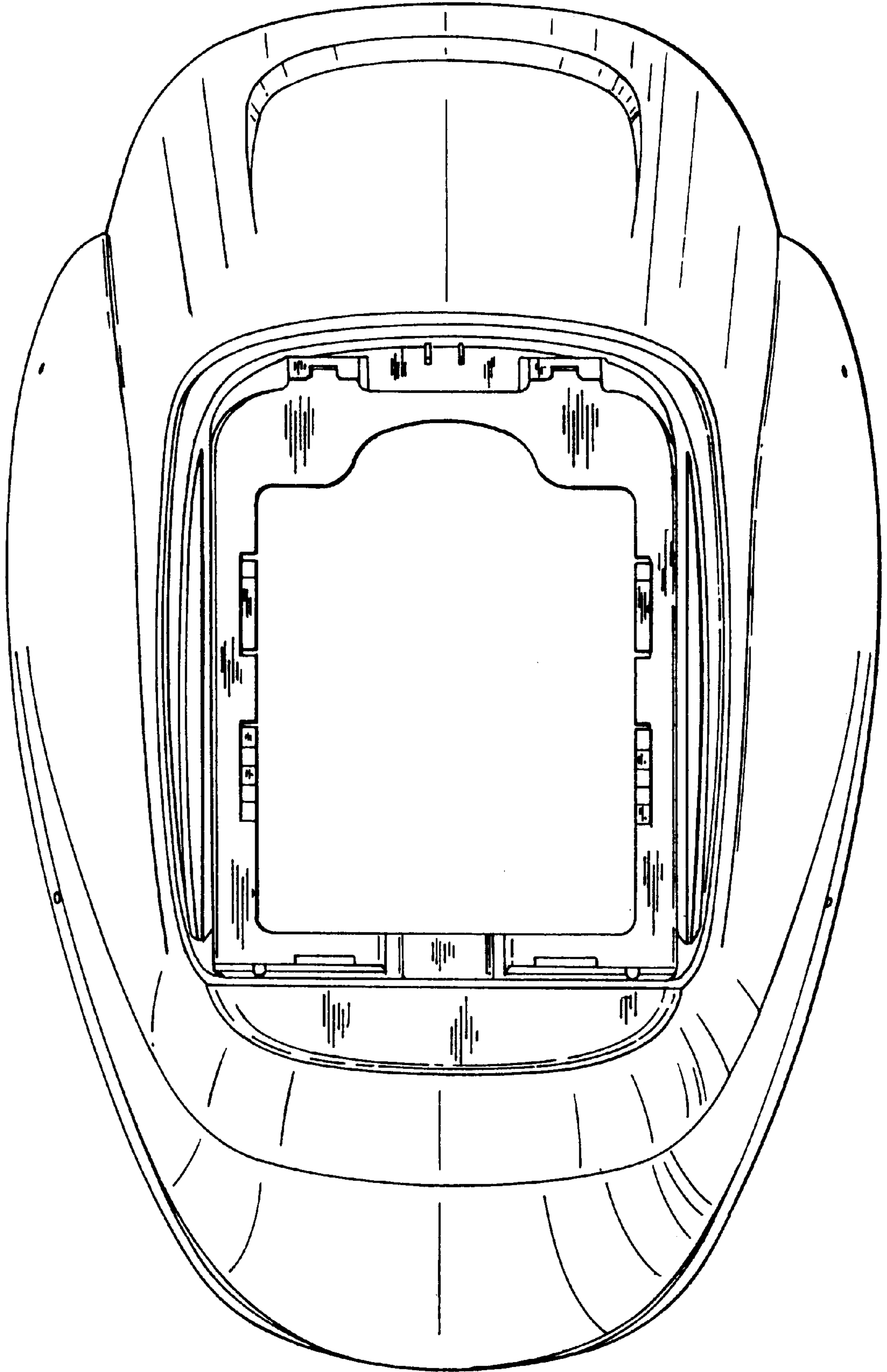


FIG. 21

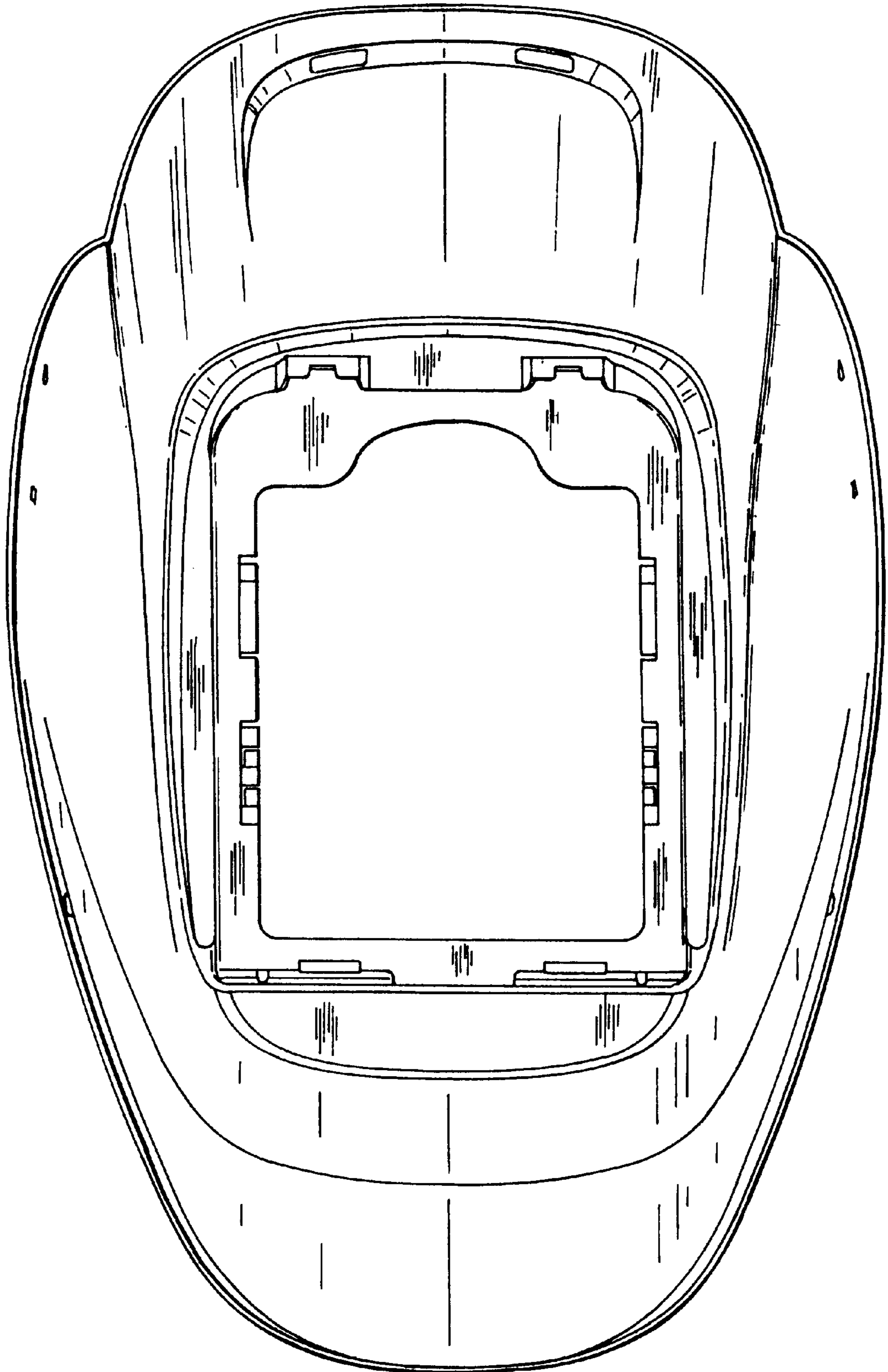


FIG. 22

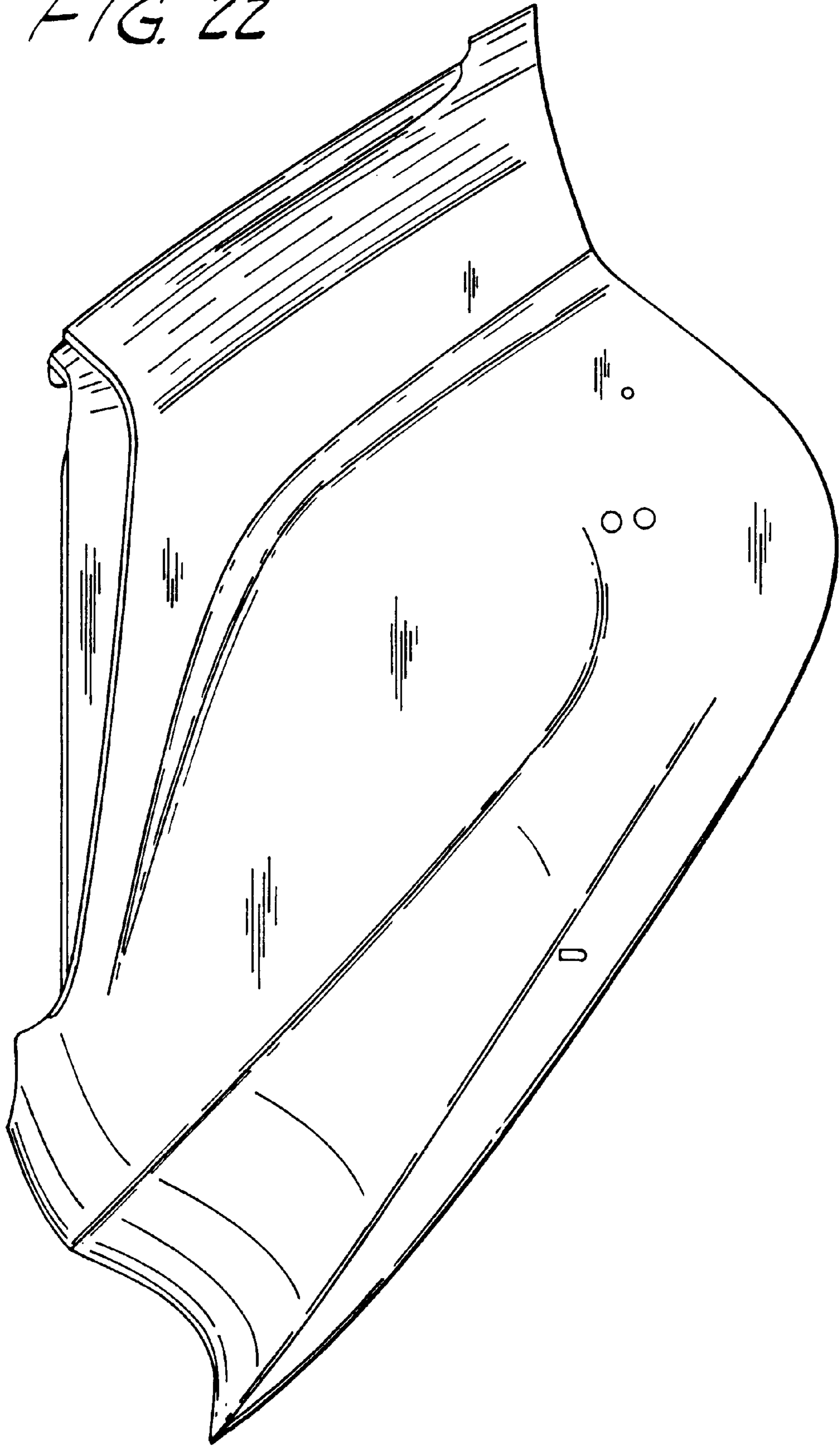


FIG. 23

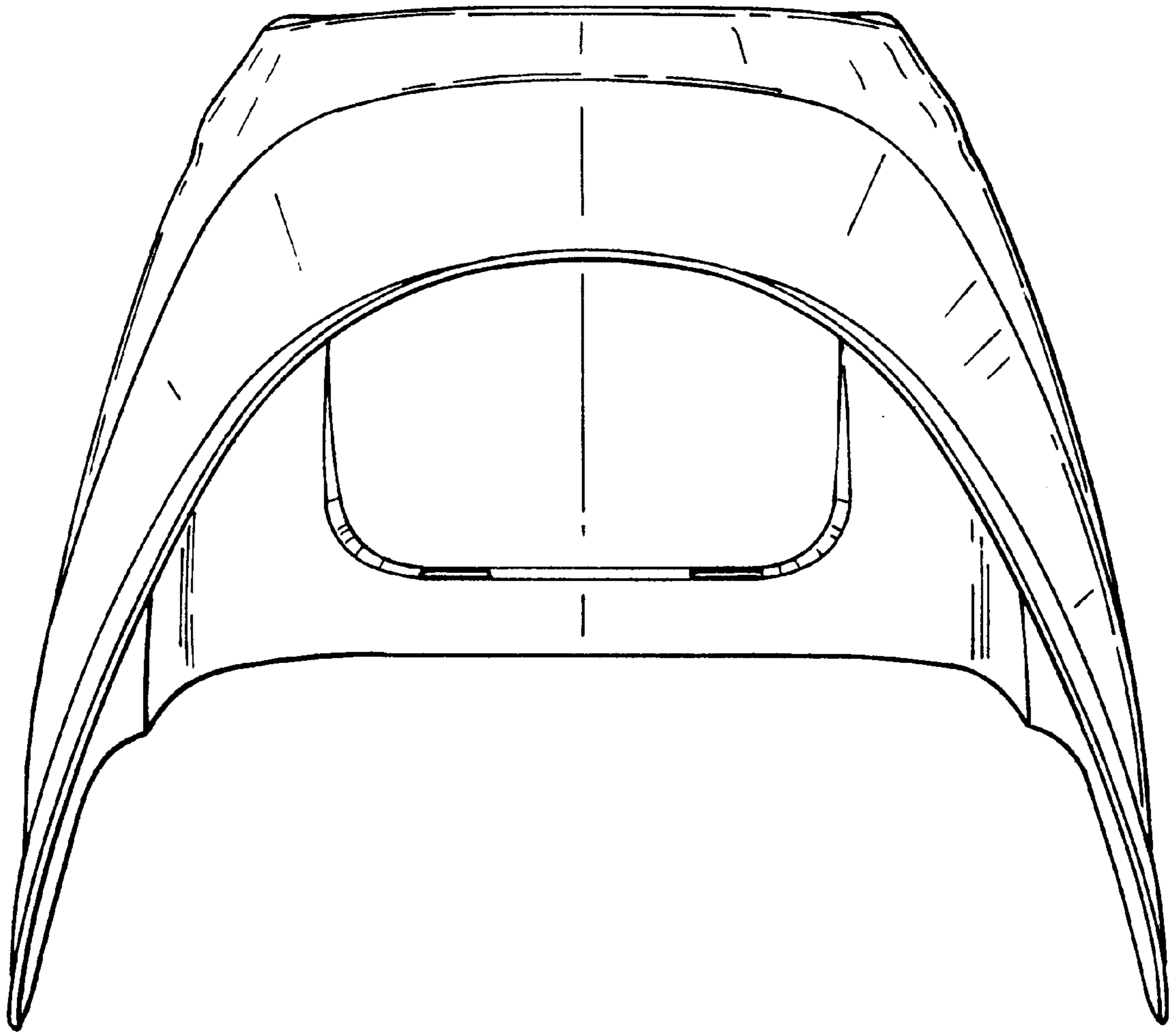


FIG. 24

