



US00D419713S

United States Patent [19]

Diaz-Azcuy

[11] Patent Number: **Des. 419,713**

[45] Date of Patent: **** Jan. 25, 2000**

[54] **WALL SCONCE WITH CURVED ARM AND TUBULAR SHADE**

Pin-Ups lighting catalog, p. 19, wall lamp #7043, May 1953.

[75] Inventor: **Orlando Diaz-Azcuy**, San Francisco, Calif.

Primary Examiner—Susan J Lucas
Attorney, Agent, or Firm—Jack Lo

[73] Assignee: **Boyd Lighting Company**, San Francisco, Calif.

[57] **CLAIM**

[**] Term: **14 Years**

The ornamental design for a wall sconce with curved arm and tubular shade, as shown and described.

[21] Appl. No.: **29/096,735**

DESCRIPTION

[22] Filed: **Nov. 19, 1998**

[51] **LOC (7) Cl.** **26-05**

FIG. 1 is a front perspective view of a wall sconce with curved arm and tubular shade showing my new design.

[52] **U.S. Cl.** **D26/87**

FIG. 2 is a side view thereof, the opposite side view is a mirror image.

[58] **Field of Search** D26/85, 87, 92;
362/147, 432

FIG. 3 is a front view thereof.

FIG. 4 is a rear view thereof.

FIG. 5 is a top view thereof; and,

FIG. 6 is a bottom view thereof.

The broken lines are shown for illustrative purposes and form no part of the claimed design.

[56] **References Cited**

U.S. PATENT DOCUMENTS

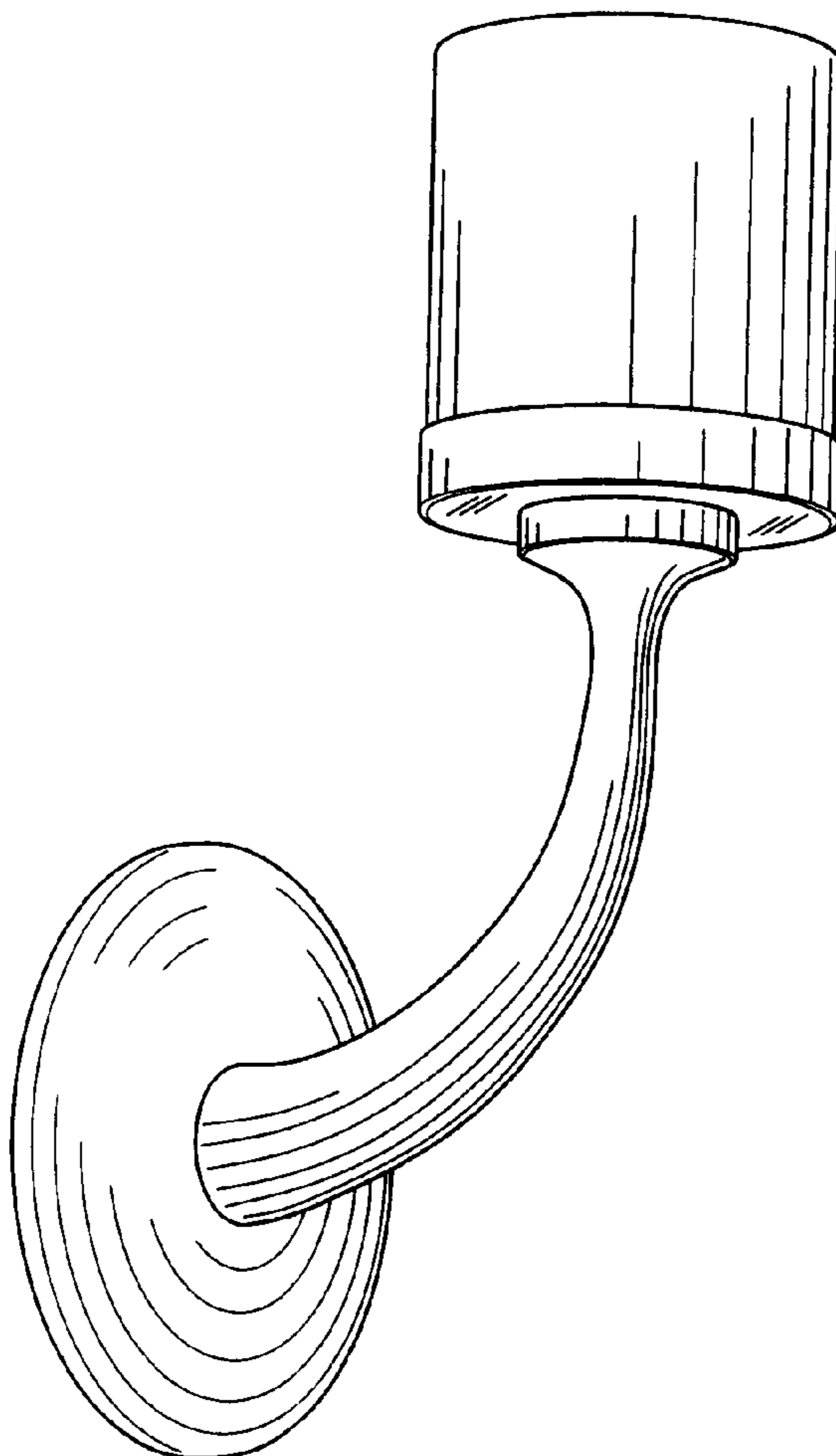
D. 380,851 7/1997 Dolan D26/92

OTHER PUBLICATIONS

Colonial Revival Lighting catalog, p. 25, wall lamp, #W915, 1995.

Corbet Lighting catalog, p. W 1, wall lamp #8541 1994.

1 Claim, 3 Drawing Sheets



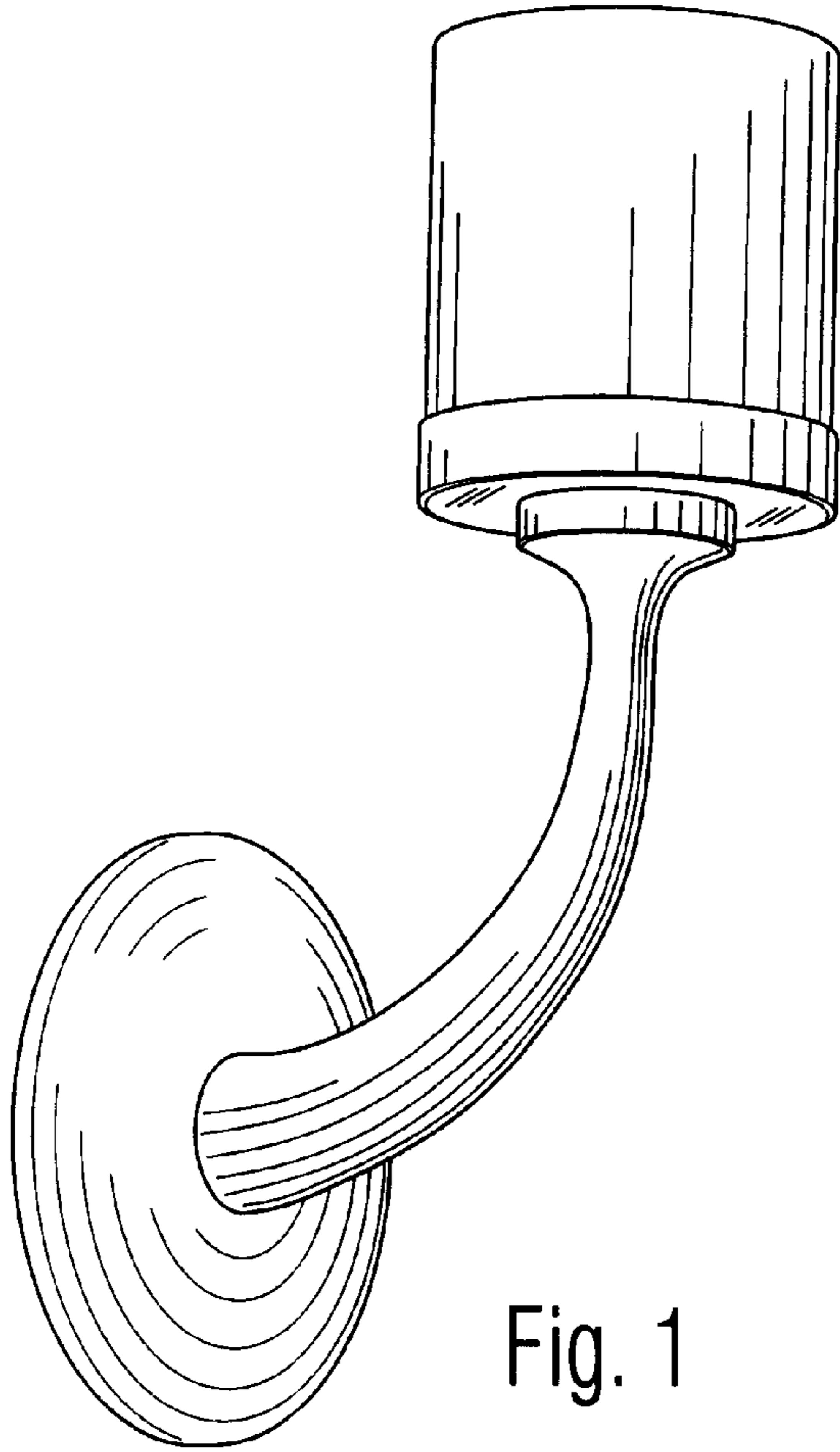


Fig. 1

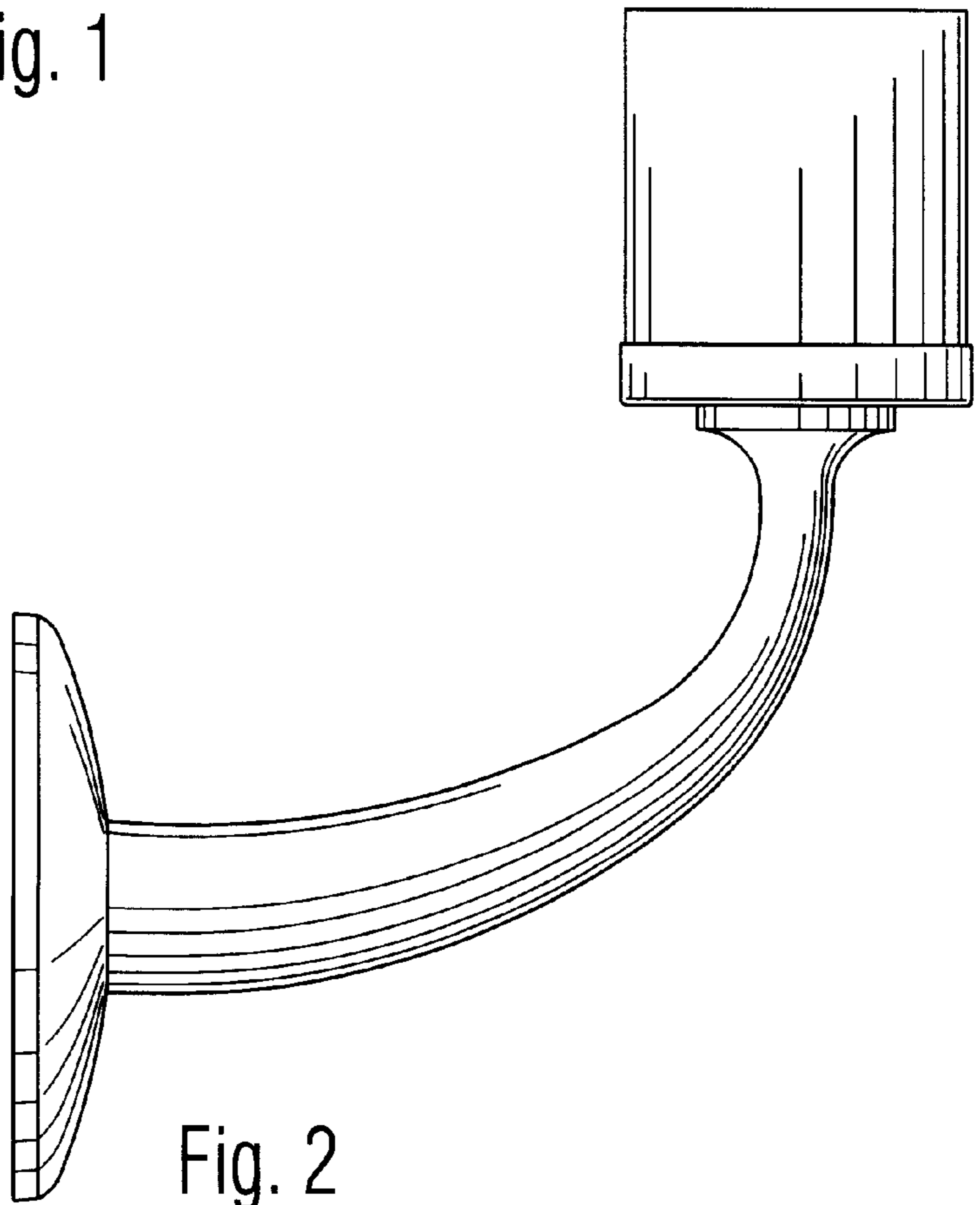


Fig. 2

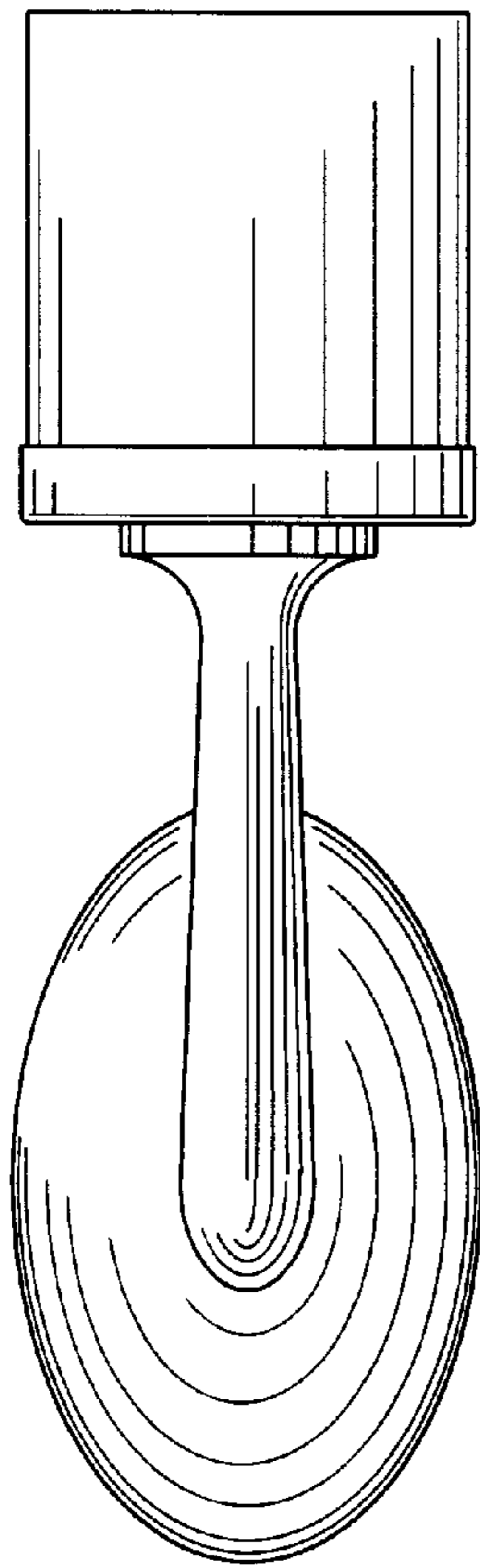


Fig. 3

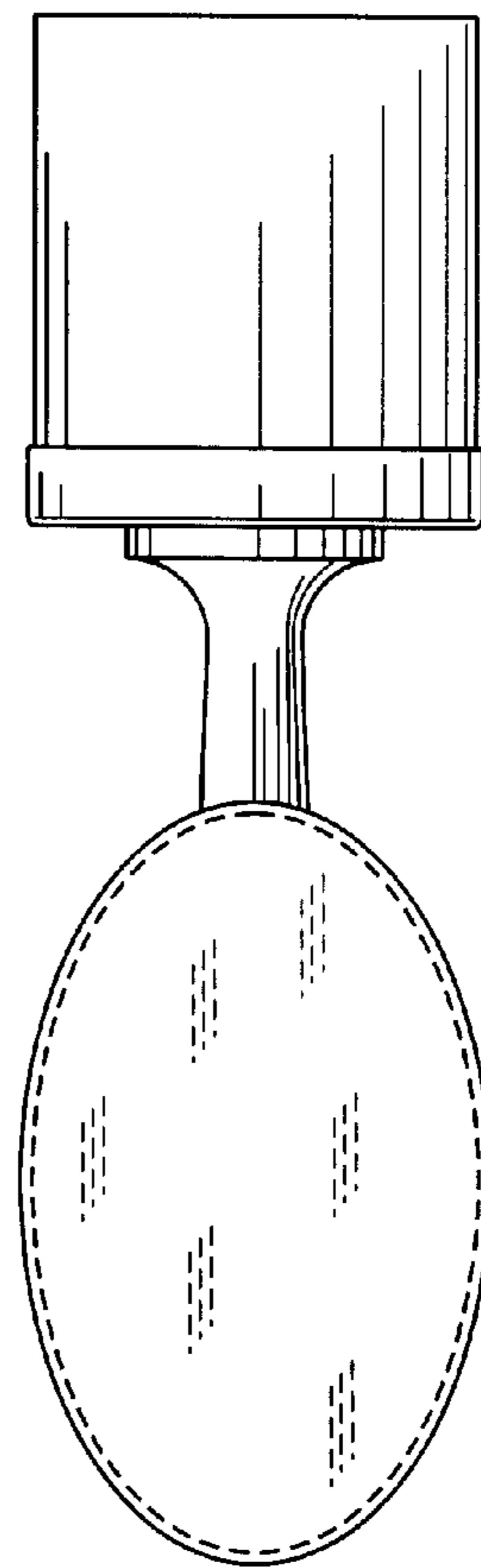


Fig. 4

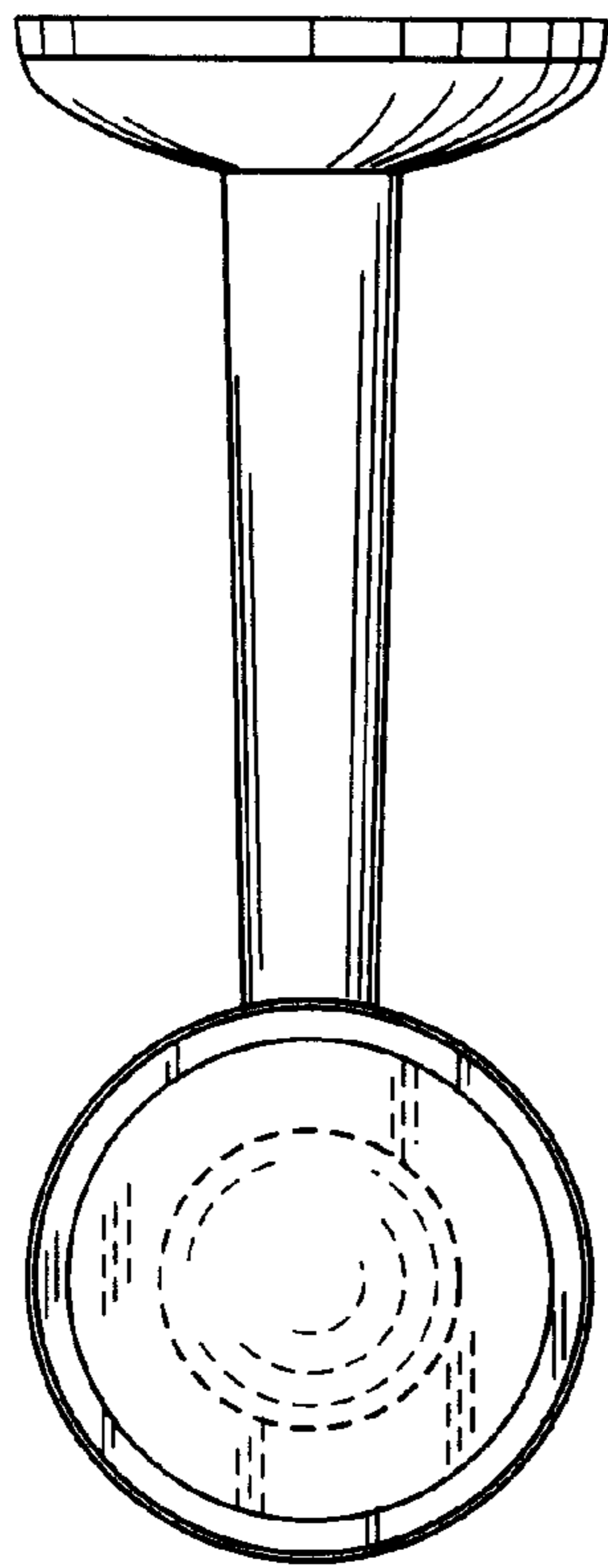


Fig. 5

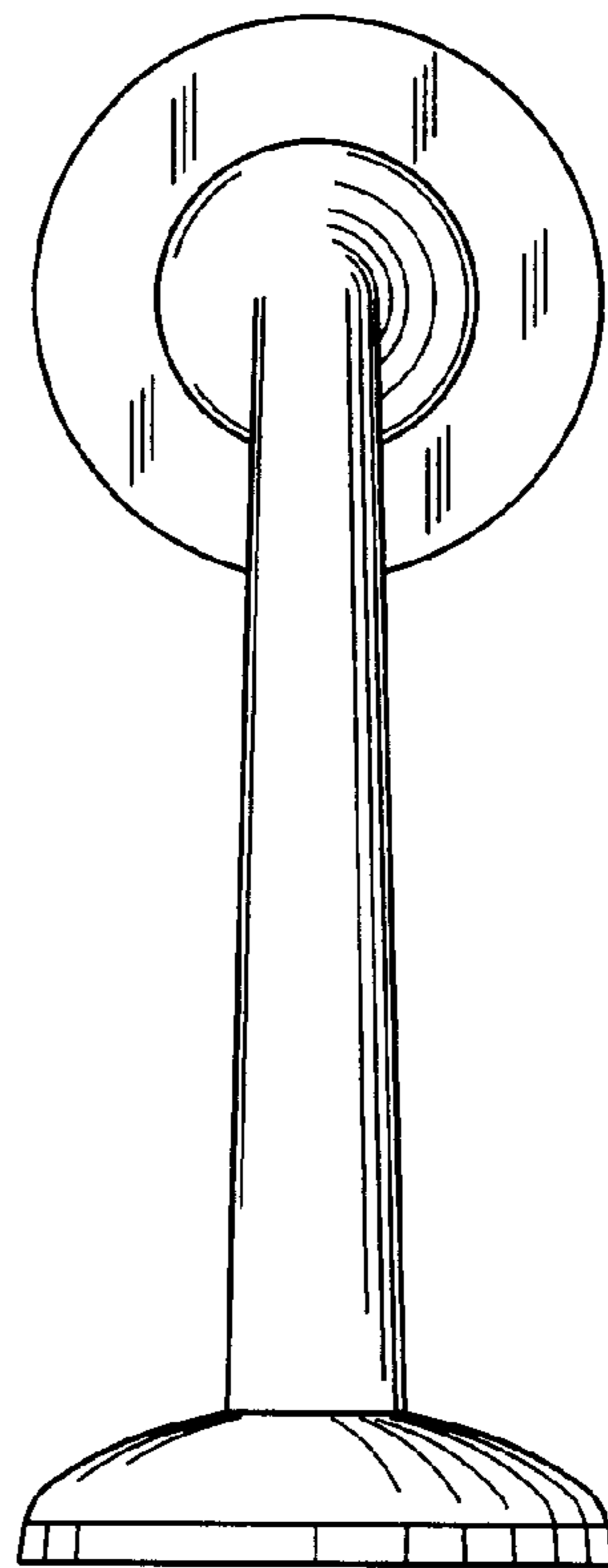


Fig. 6