



US00D419709S

# United States Patent [19] Spitler

[11] **Patent Number: Des. 419,709**

[45] **Date of Patent: \*\* Jan. 25, 2000**

[54] **INDOOR HALOGEN LAMP**

2,382,208	8/1945	Corbin	.....	52/730.7
5,386,358	1/1995	Hillinger	.....	362/376 X
5,672,003	9/1997	Shemtiz et al.	.....	362/418 X

[75] Inventor: **Brian Spitler**, Elon College, N.C.

[73] Assignee: **Regent Lighting Corporation**, Burlington, N.C.

*Primary Examiner*—Susan J. Lucas  
*Attorney, Agent, or Firm*—Niro, Scavone, Haller & Niro

[\*\*] Term: **14 Years**

[57] **CLAIM**

[21] Appl. No.: **29/099,754**

I claim the ornamental design for an indoor halogen lamp, as shown and described.

[22] Filed: **Jan. 28, 1999**

### DESCRIPTION

[51] **LOC (7) Cl.** ..... **26-05**

[52] **U.S. Cl.** ..... **D26/63**

[58] **Field of Search** ..... D26/24, 72, 80,  
D26/81, 84, 85, 86, 88, 89, 92, 113, 60,  
63, 65; 362/404-408, 432, 147, 376, 377,  
378, 287, 286, 269, 275, 418, 419, 427,  
240, 237, 249

FIG. 1 is a perspective view taken from the left side of an indoor halogen lamp showing my new design;

FIG. 2 is a top plan view thereof;

FIG. 3 is a front elevational view thereof;

FIG. 4 is a side elevational view thereof;

FIG. 5 is a bottom plan view thereof; and,

FIG. 6 is a rear elevational view thereof.

[56] **References Cited**

#### U.S. PATENT DOCUMENTS

D. 240,258 6/1976 Vrignaud ..... D26/80

**1 Claim, 2 Drawing Sheets**

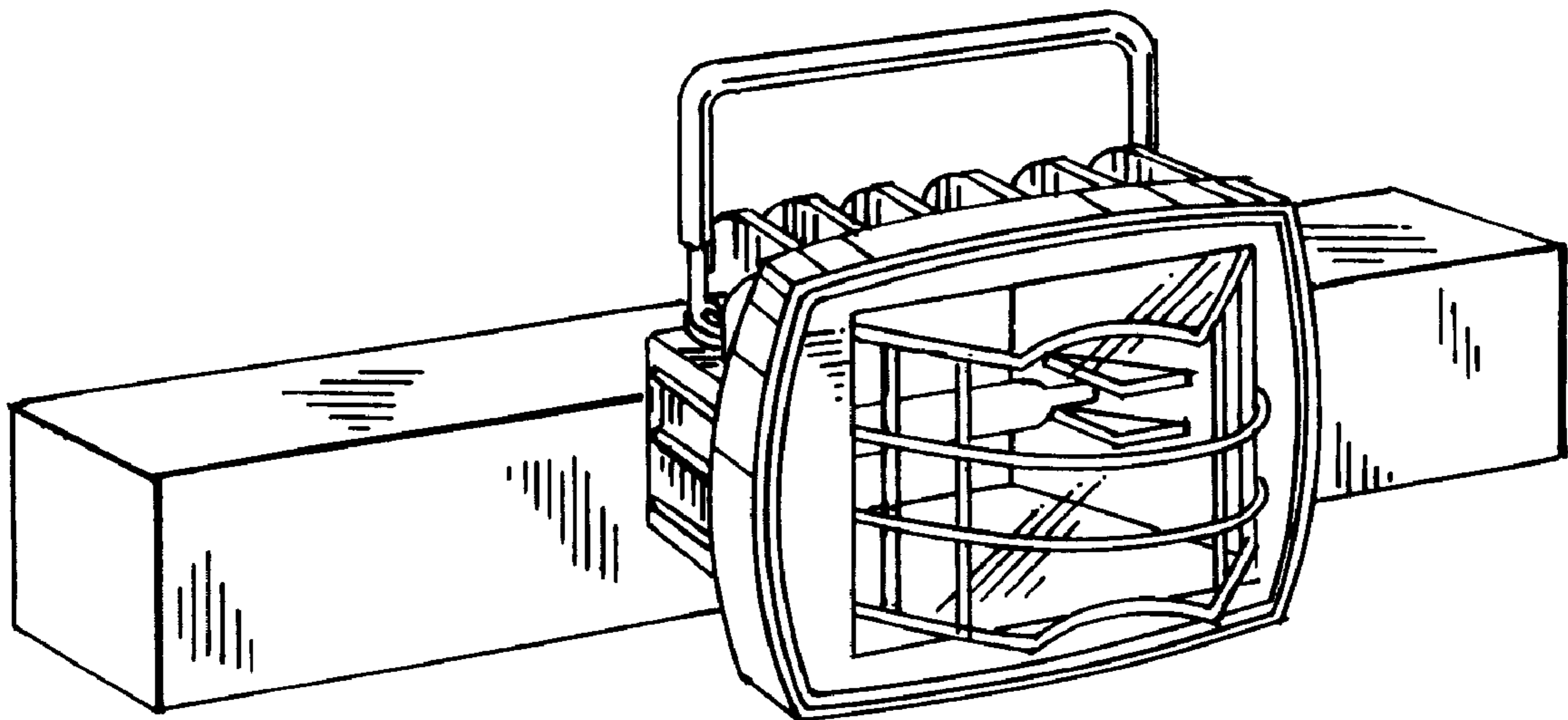


FIG. 1

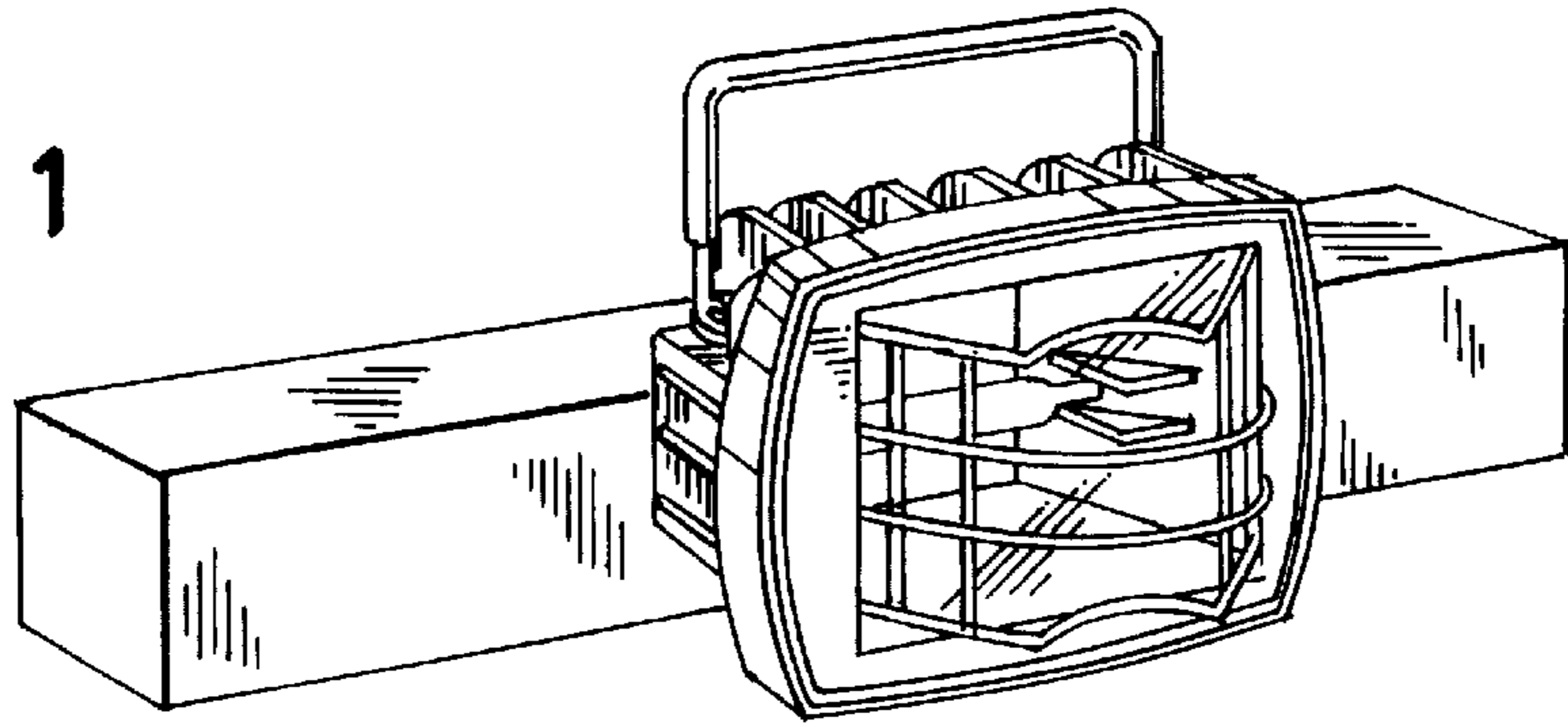


FIG. 2

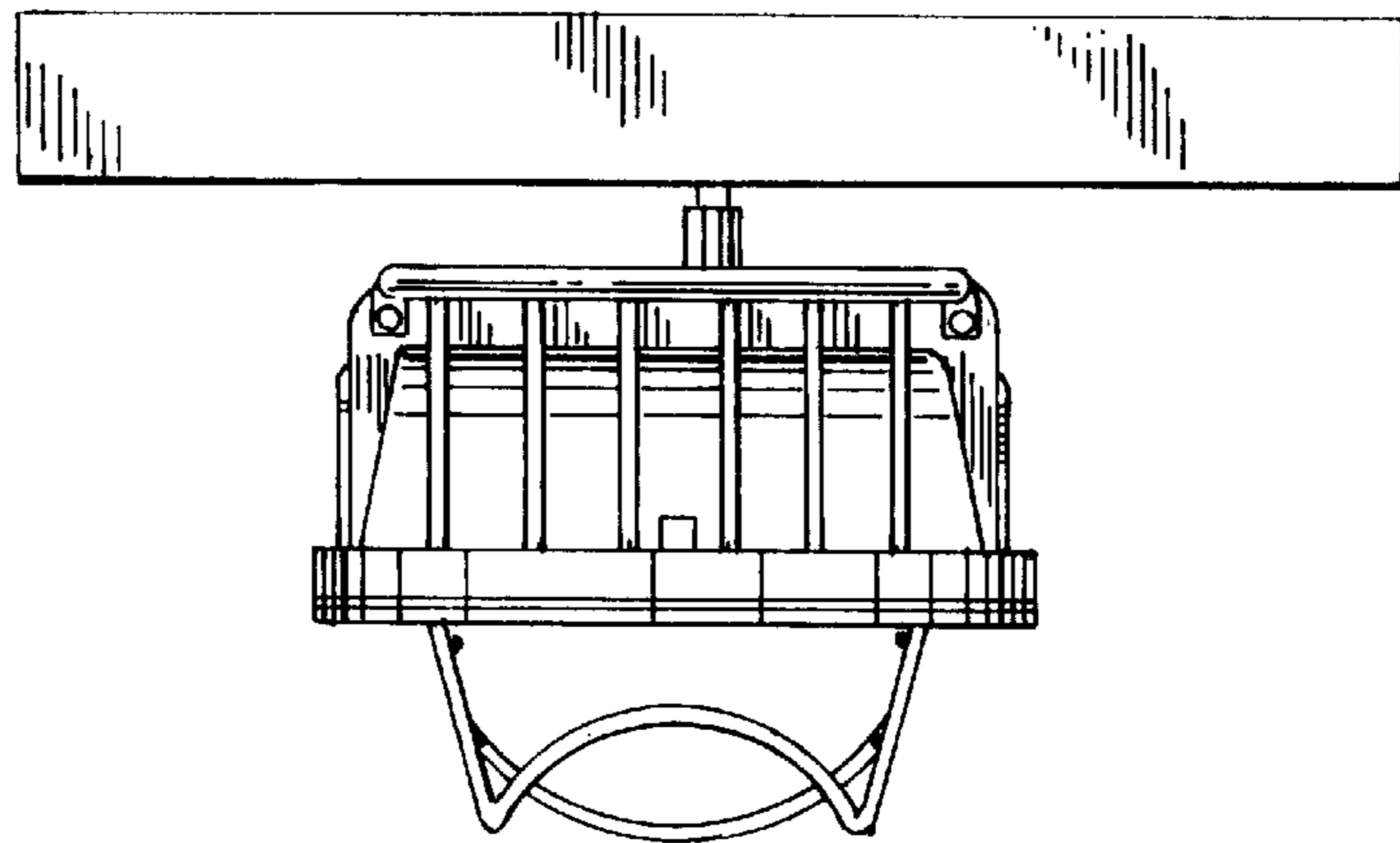


FIG. 3

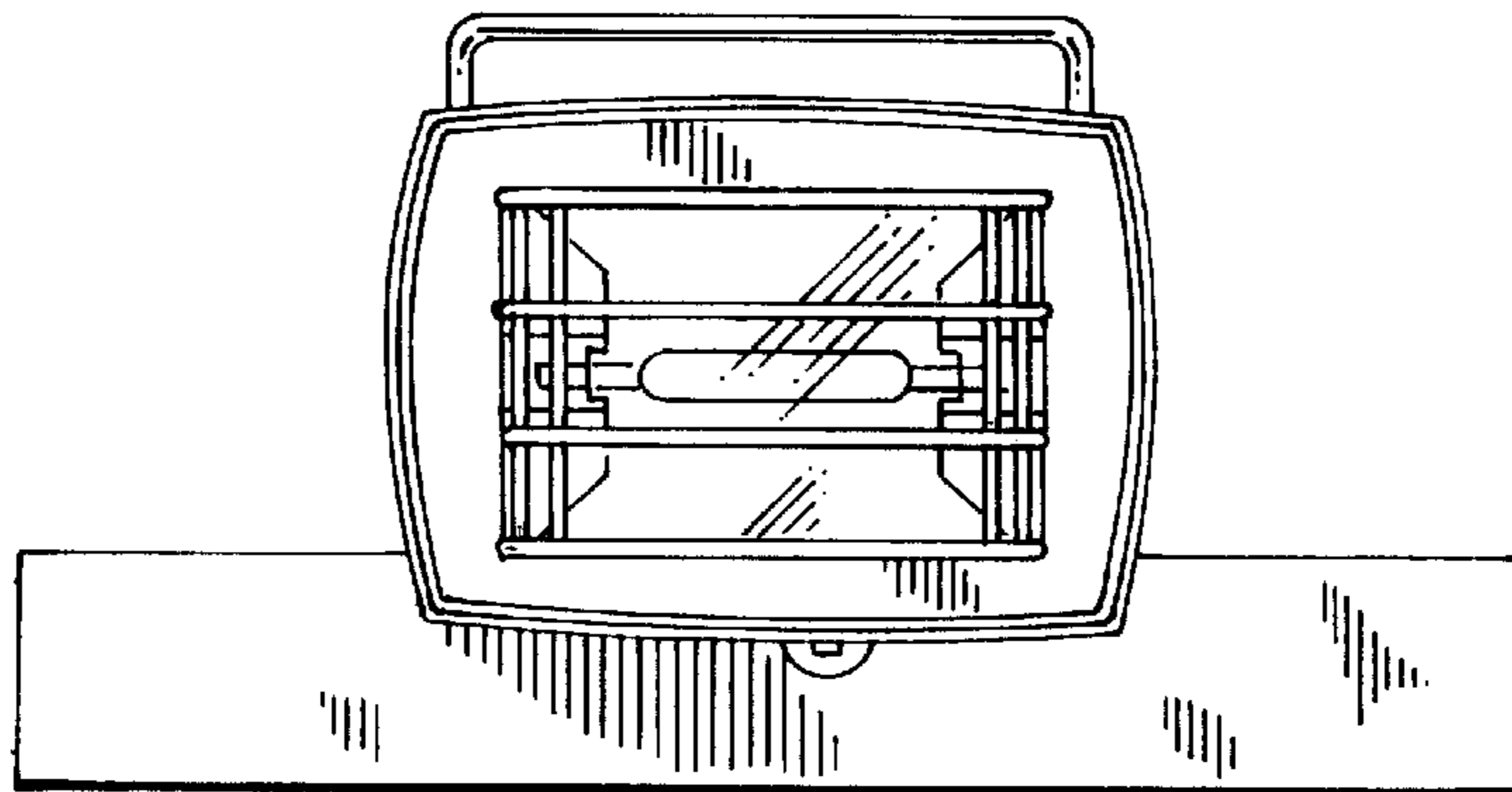


FIG. 4

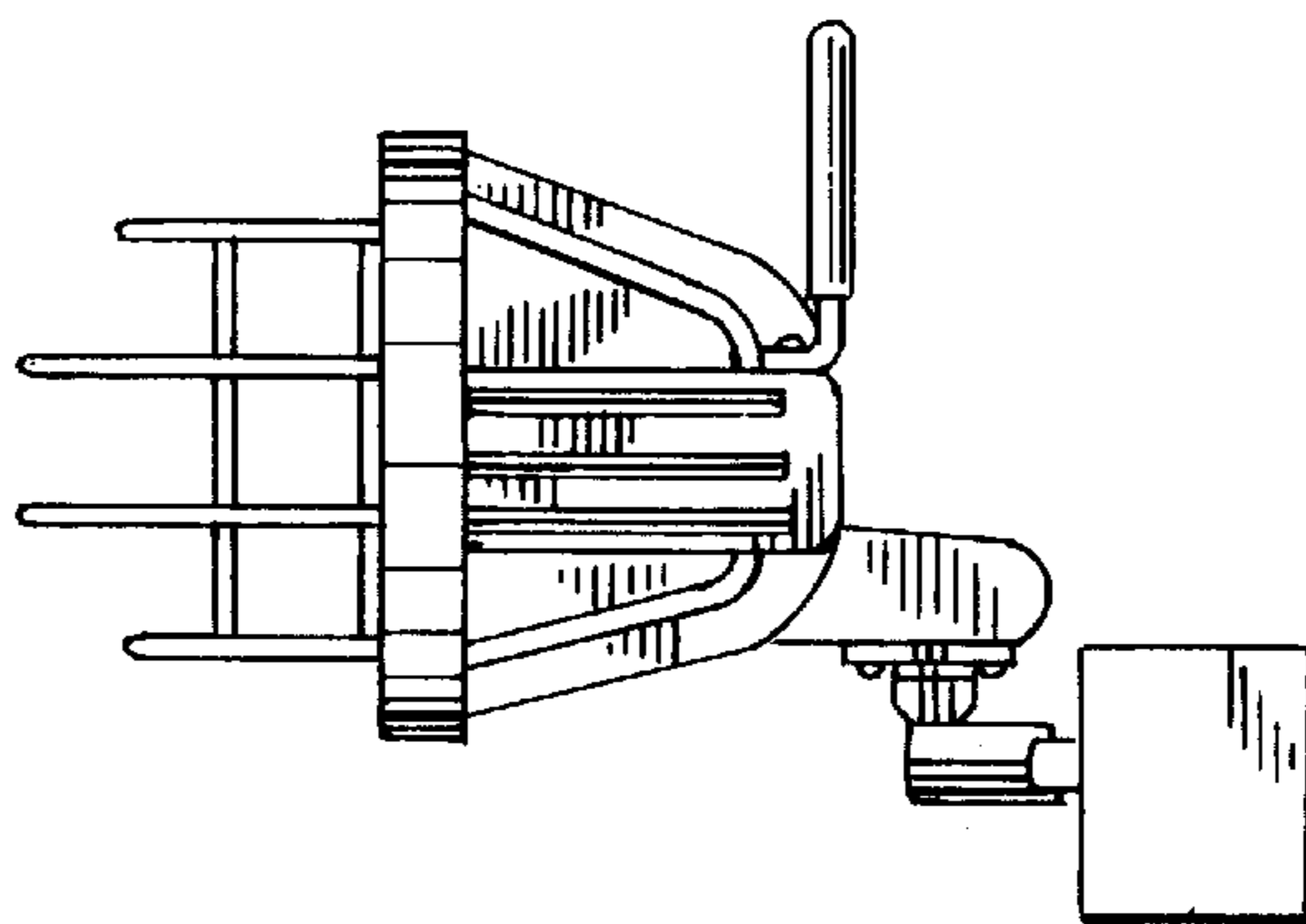


FIG. 5

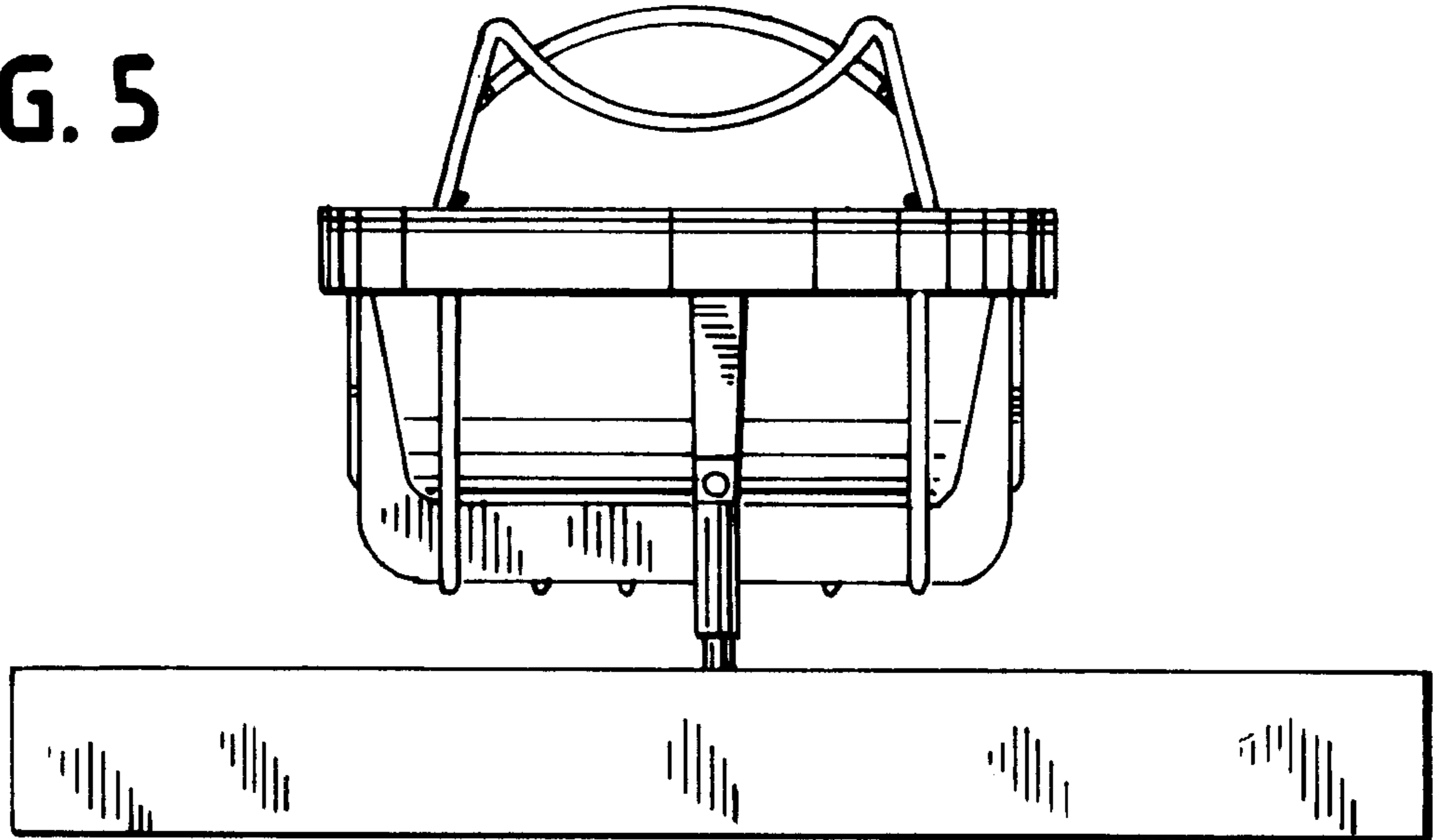


FIG. 6

