



US00D419706S

United States Patent [19] Poon

[11] **Patent Number: Des. 419,706**

[45] **Date of Patent: ** Jan. 25, 2000**

[54] **HEADLIGHT**

D. 381,812 8/1997 Sharrah et al. D26/49

[75] Inventor: **Tit Ying Poon**, Shatin, The Hong Kong Special Administrative Region of the People's Republic of China

Primary Examiner—Marcus A. Jackson
Attorney, Agent, or Firm—Alix, Yale & Ristas, LLP

[73] Assignee: **Flying Dragon Development Ltd.**, Shatin, The Hong Kong Special Administrative Region of the People's Republic of China

[57] **CLAIM**

The ornamental design for a headlight, as shown and described.

[**] Term: **14 Years**

DESCRIPTION

[21] Appl. No.: **29/101,599**

FIG. 1 is a front view of the headlight showing my new design;

[22] Filed: **Mar. 5, 1999**

FIG. 2 is a top plan view of the headlight of FIG. 1;

[51] **LOC (7) Cl.** **26-06**

[52] **U.S. Cl.** **D26/48**

[58] **Field of Search** D26/37-50; 362/157, 362/158, 171, 172, 178, 181, 183-208

FIG. 3 is a bottom plan view of the headlight of FIG. 1;

FIG. 4 is a right side view of the headlight of FIG. 1;

FIG. 5 is a left side view of the headlight of FIG. 1;

FIG. 6 is a rear view of the headlight of FIG. 1;

FIG. 7 is a top plan view of the headlight of FIG. 1 with parts thereof in an alternative position; and,

FIG. 8 is a frontal perspective view of the headlight of FIG. 1 with parts thereof arranged in the alternative position of FIG. 7.

[56] **References Cited**

U.S. PATENT DOCUMENTS

D. 380,858 7/1997 Sharrah et al. D26/49

1 Claim, 3 Drawing Sheets

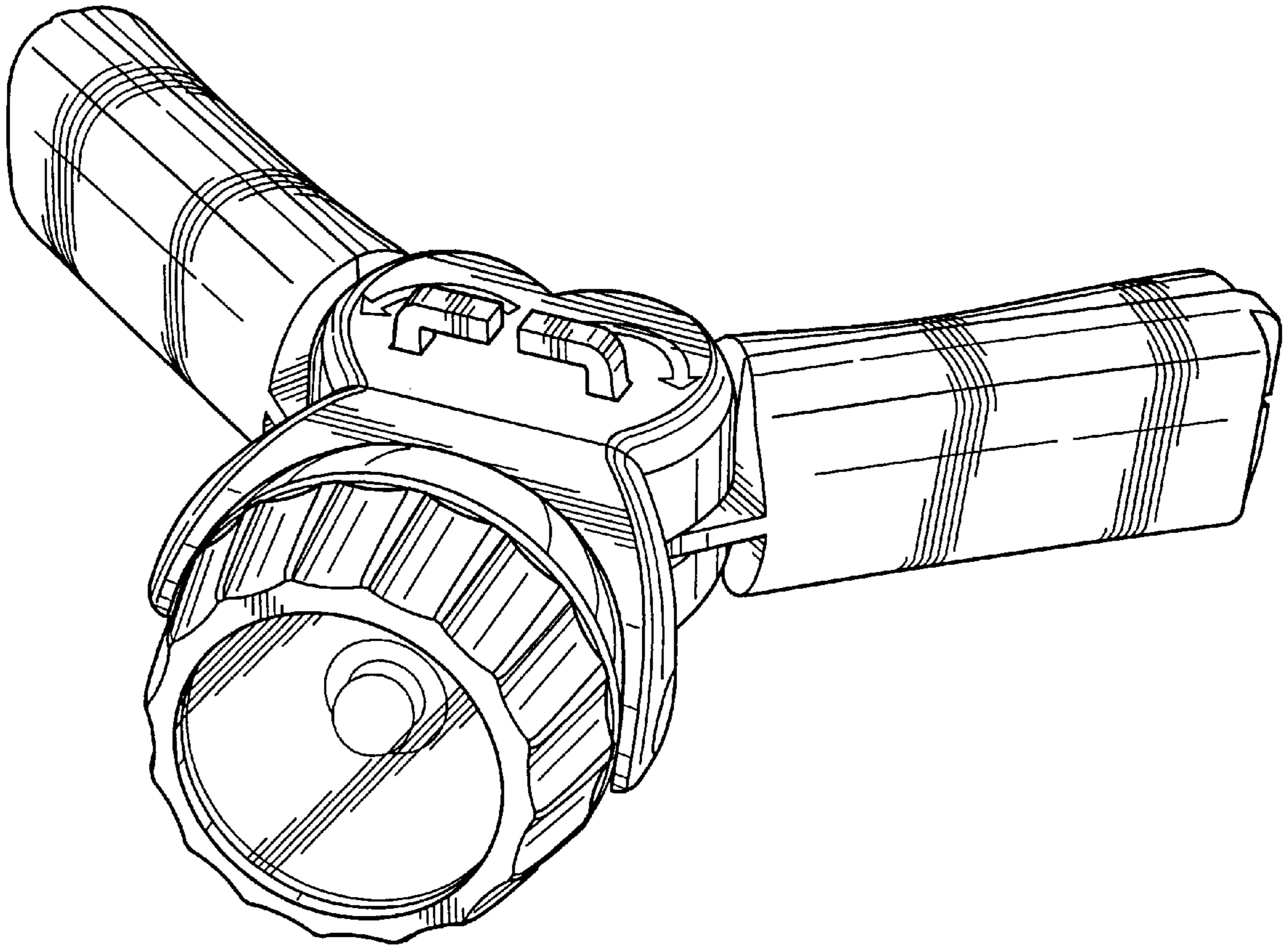


FIG. 1

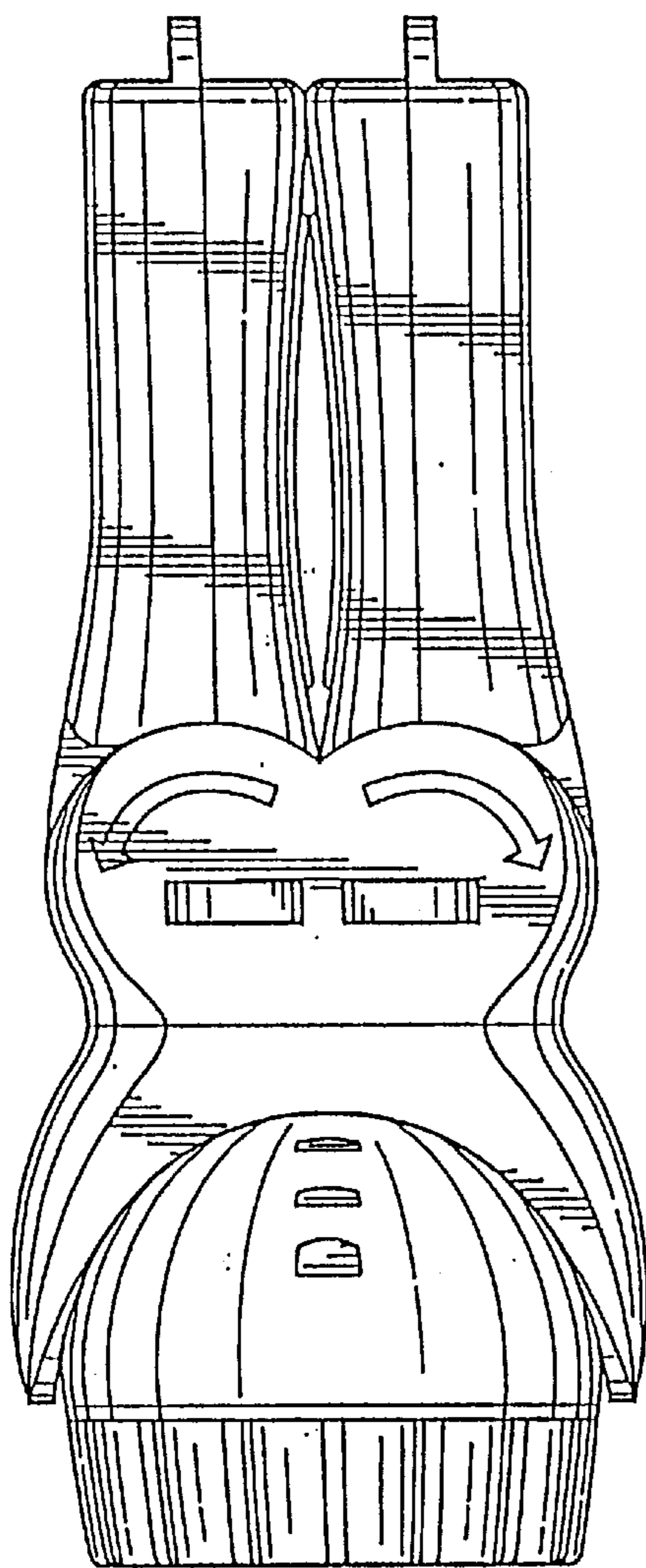
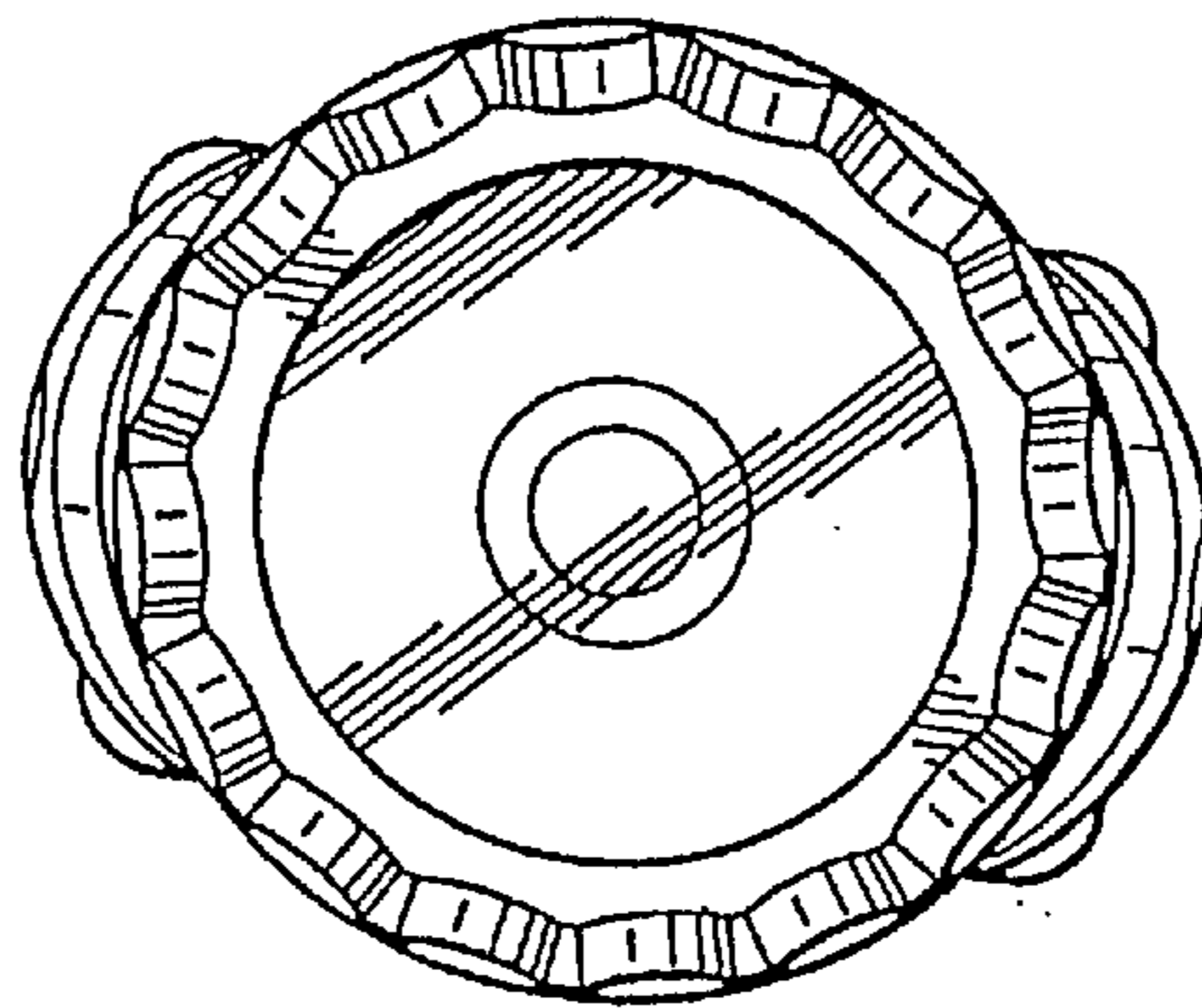


FIG. 2

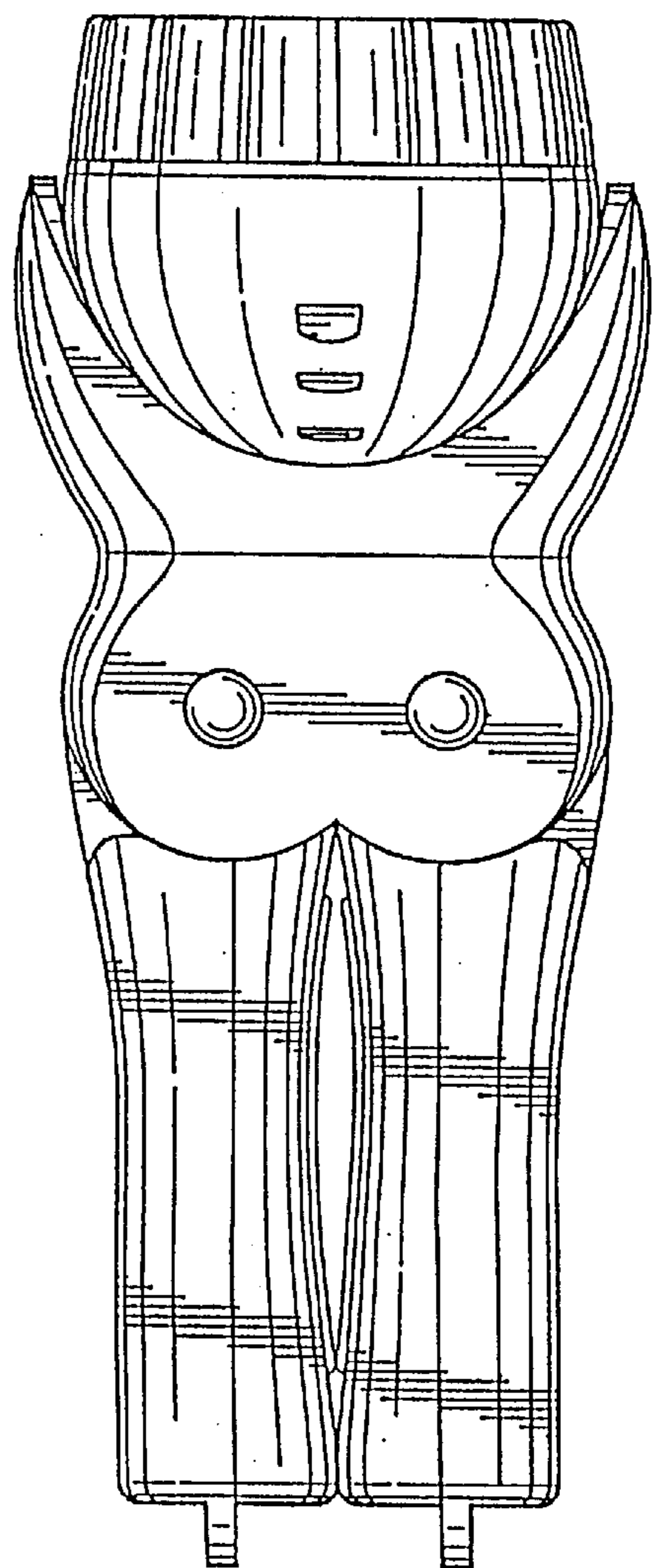


FIG. 3

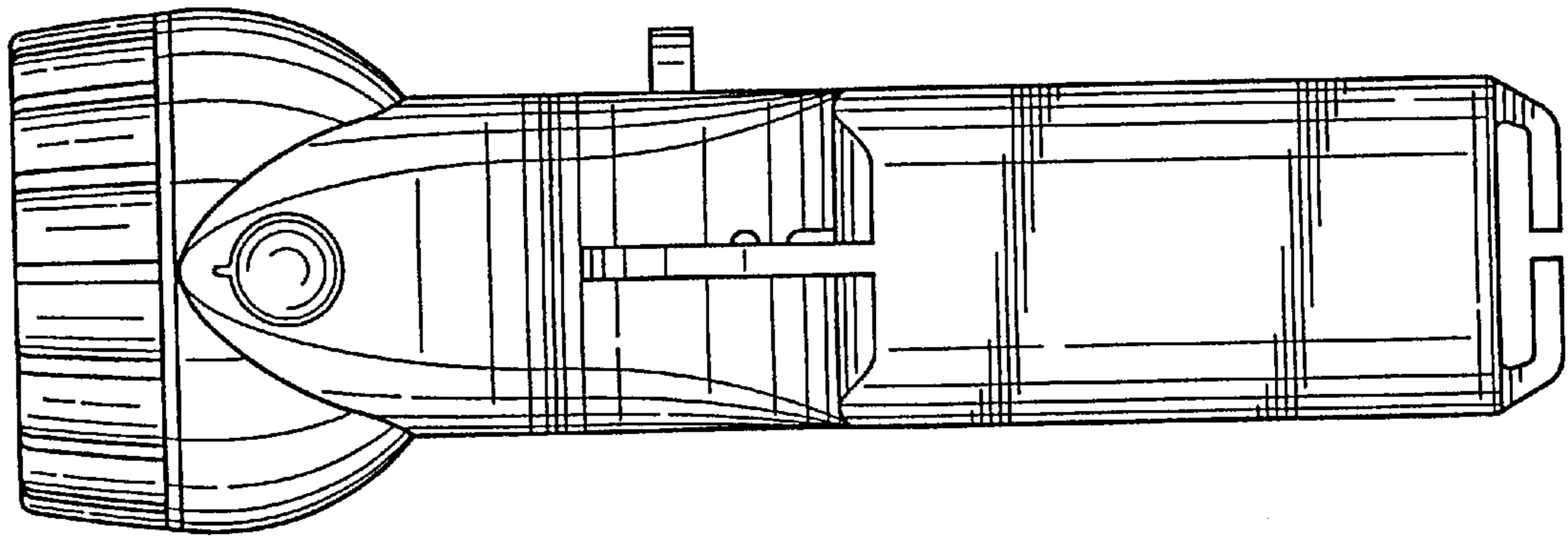


FIG. 4

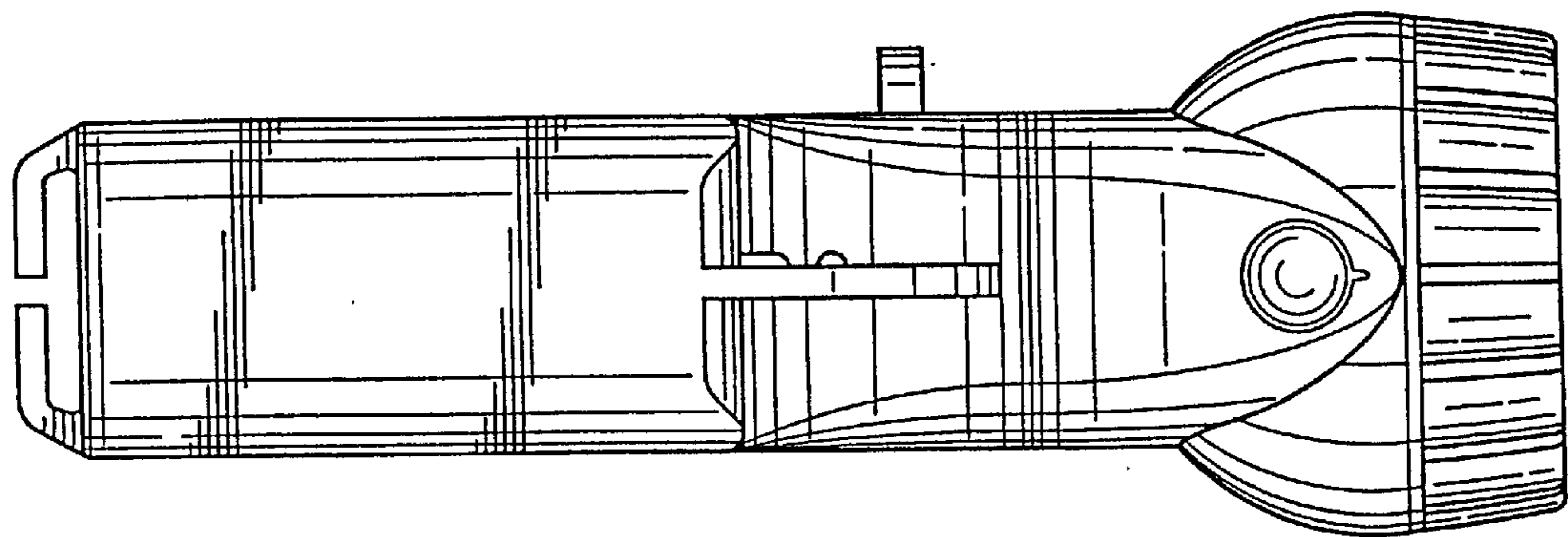
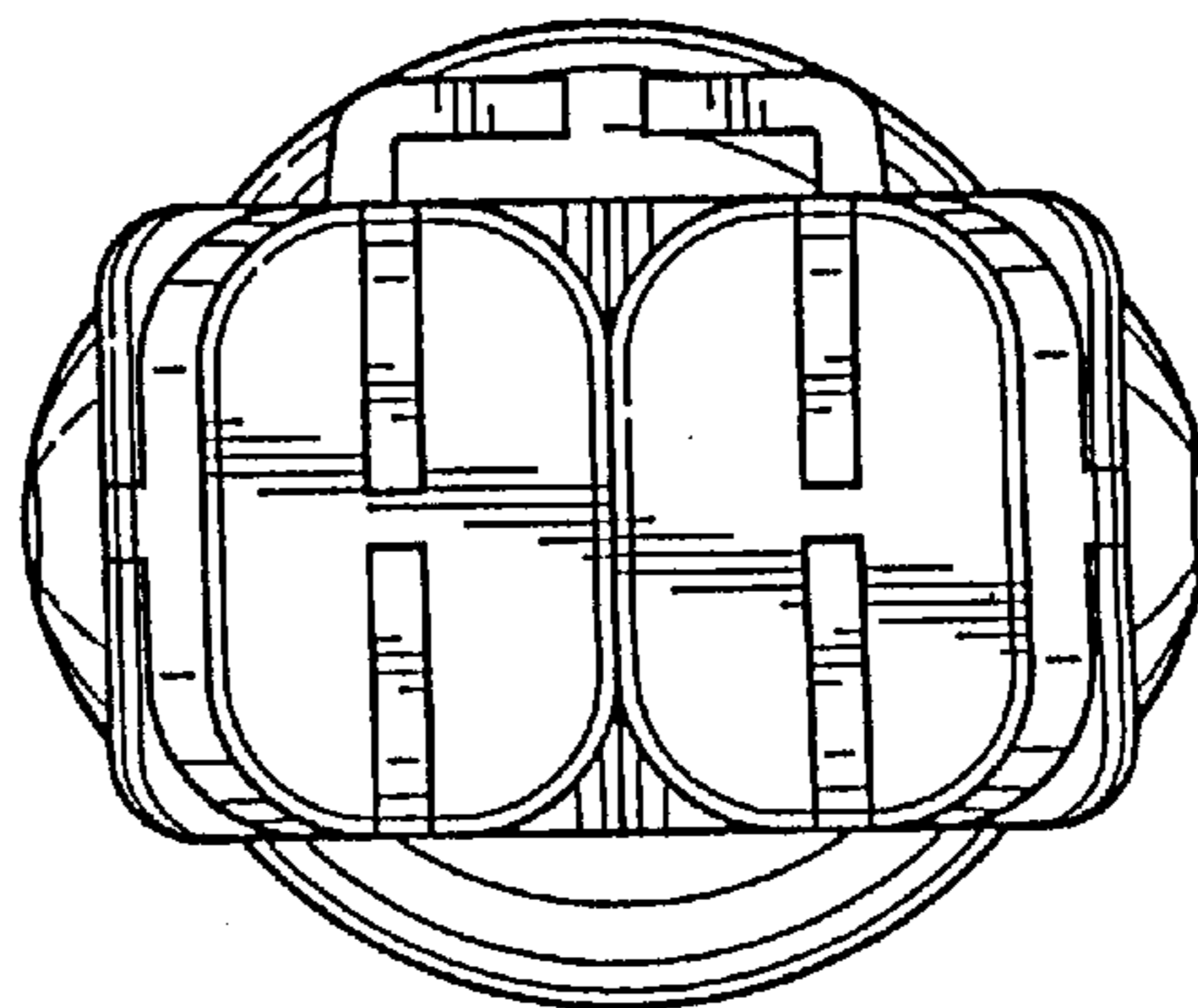


FIG. 5

FIG. 6



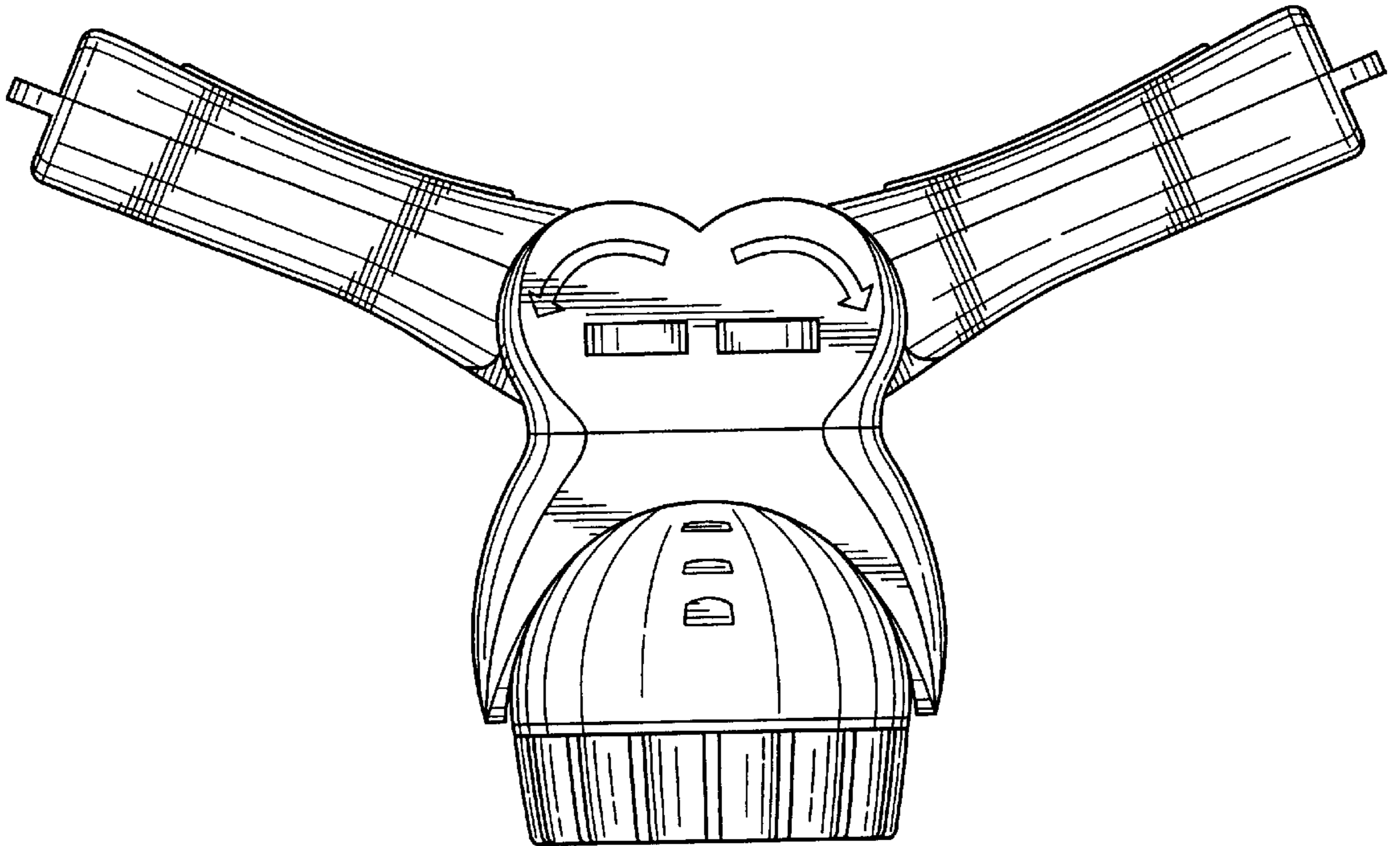


FIG. 7

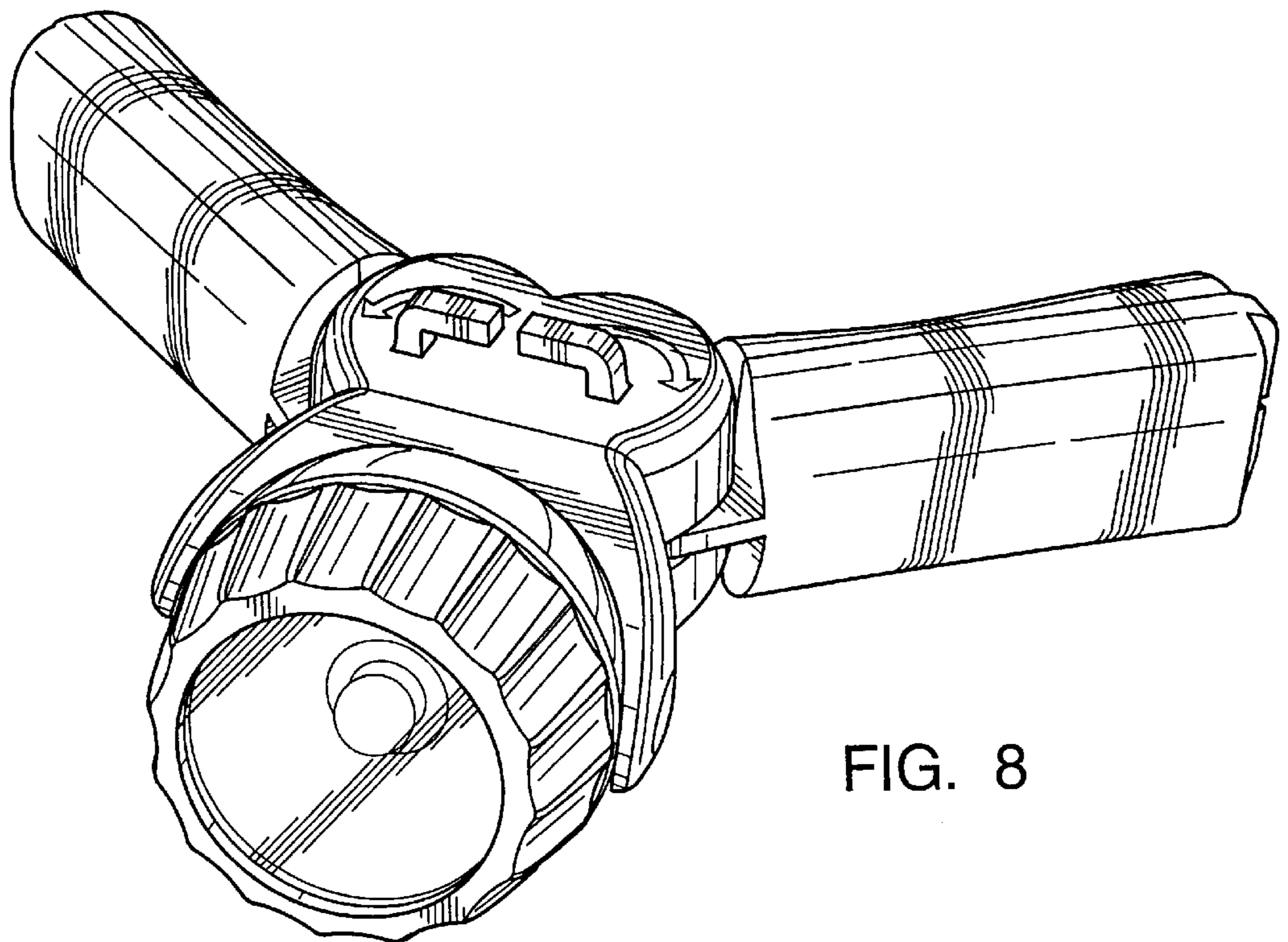


FIG. 8