



US00D419703S

# United States Patent [19]

Diller, Jr.

[11] Patent Number: Des. 419,703

[45] Date of Patent: \*\* Jan. 25, 2000

[54] REAR TRAILER SIGNAL LIGHT

[76] Inventor: Richard A. Diller, Jr., 1326 Baity Bend Rd., Greensboro, N.C. 27406

[\*\*] Term: 14 Years

[21] Appl. No.: 29/101,769

[22] Filed: Mar. 11, 1999

[51] LOC (7) Cl. .... 26-06

[52] U.S. Cl. .... D26/28

[58] Field of Search ..... D26/28-36; 362/61, 362/74, 80, 80.1, 83, 147, 432

[56] References Cited

U.S. PATENT DOCUMENTS

- D. 343,915 2/1994 Baader et al. .... D26/28
- D. 345,431 3/1994 Pogue ..... D26/28
- D. 374,295 10/1996 Farchione ..... D26/28

OTHER PUBLICATIONS

Photo of rear of truck prior to Mar. 11, 1999.

Primary Examiner—Marcus A. Jackson

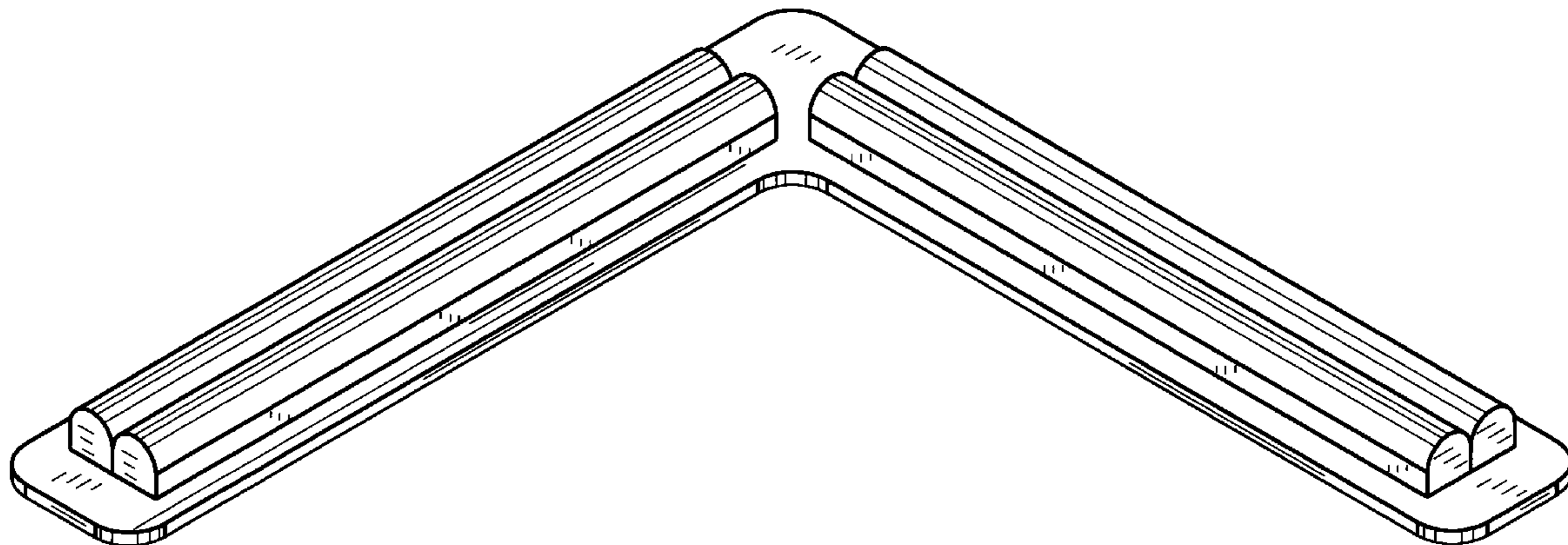
[57] CLAIM

The ornamental design for a rear trailer signal light, as shown and described.

DESCRIPTION

FIG. 1 is a top rear perspective view of the first embodiment of my rear trailer signal light;  
 FIG. 2 is a top plan view of the signal light of FIG. 1;  
 FIG. 3 is a front elevational view of the signal light of FIG. 1, the left side being identical;  
 FIG. 4 is a bottom plan view of the signal light of FIG. 1; and,  
 FIG. 5 is a rear elevational view of the signal light of FIG. 1, the right side being identical;  
 FIG. 6 is a top rear perspective view of the second embodiment of my rear trailer signal light;  
 FIG. 7 is a top plan view of the signal light of FIG. 6;  
 FIG. 8 is a front elevational view of the signal light of FIG. 6, the left side being identical;  
 FIG. 9 is a bottom plan view of the signal light of FIG. 6; and,  
 FIG. 10 is a rear elevational view of the signal light of FIG. 6, the right side being identical.

1 Claim, 6 Drawing Sheets



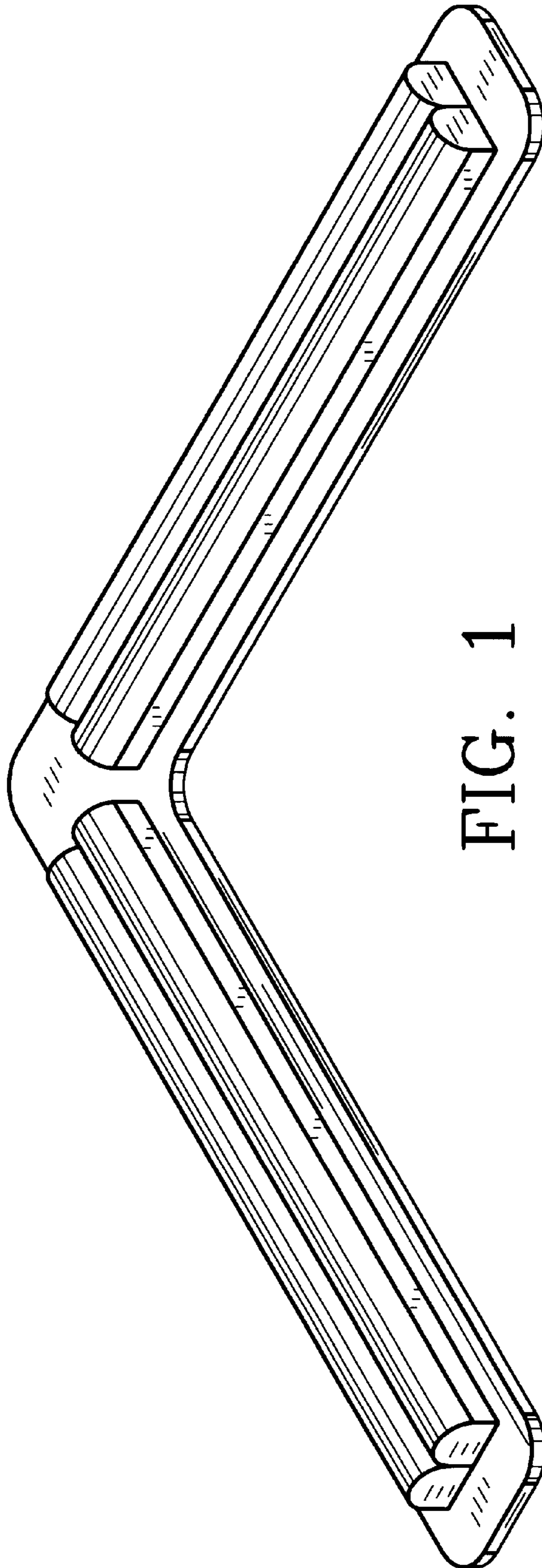


FIG. 1

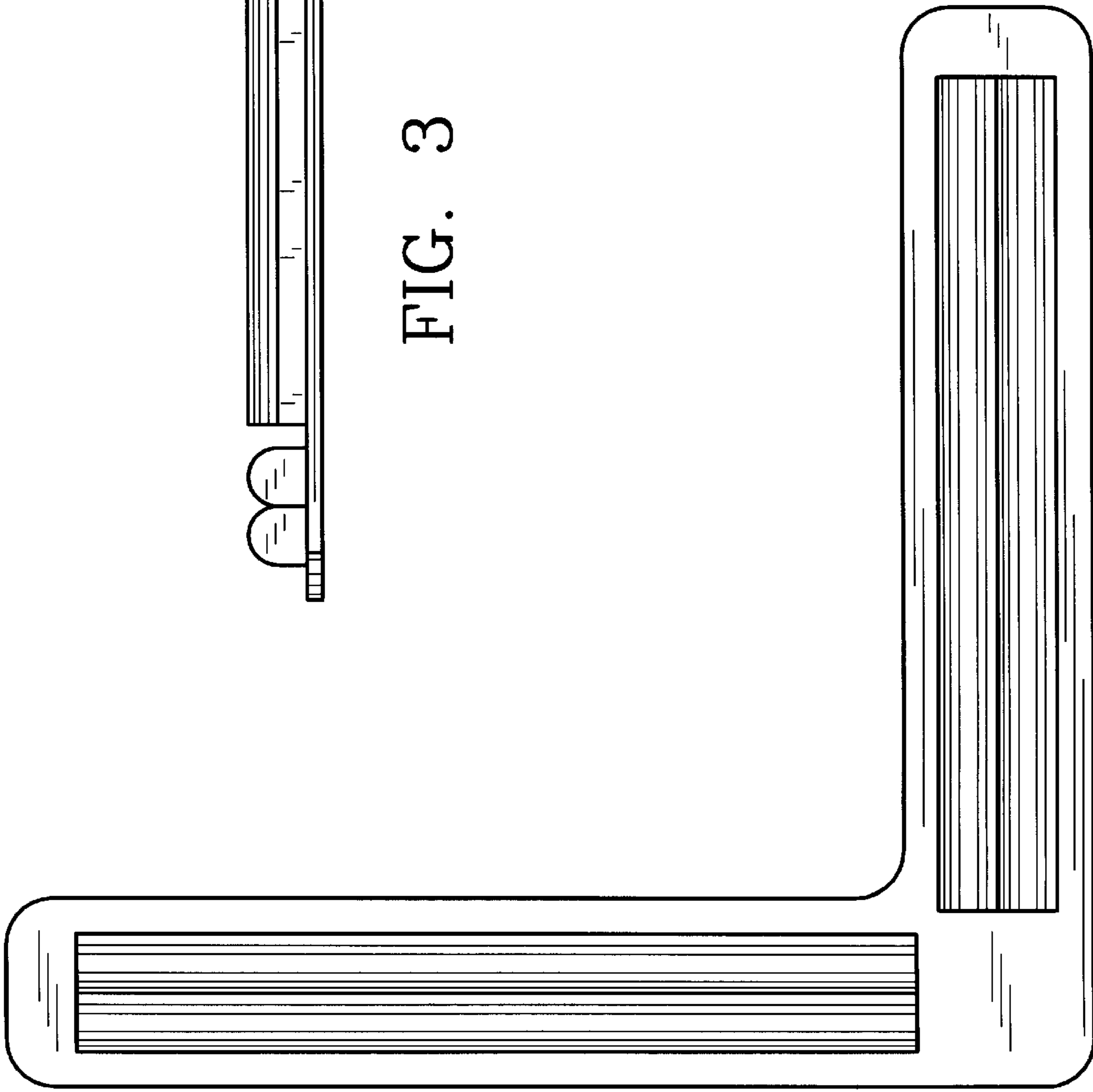


FIG. 2



FIG. 3

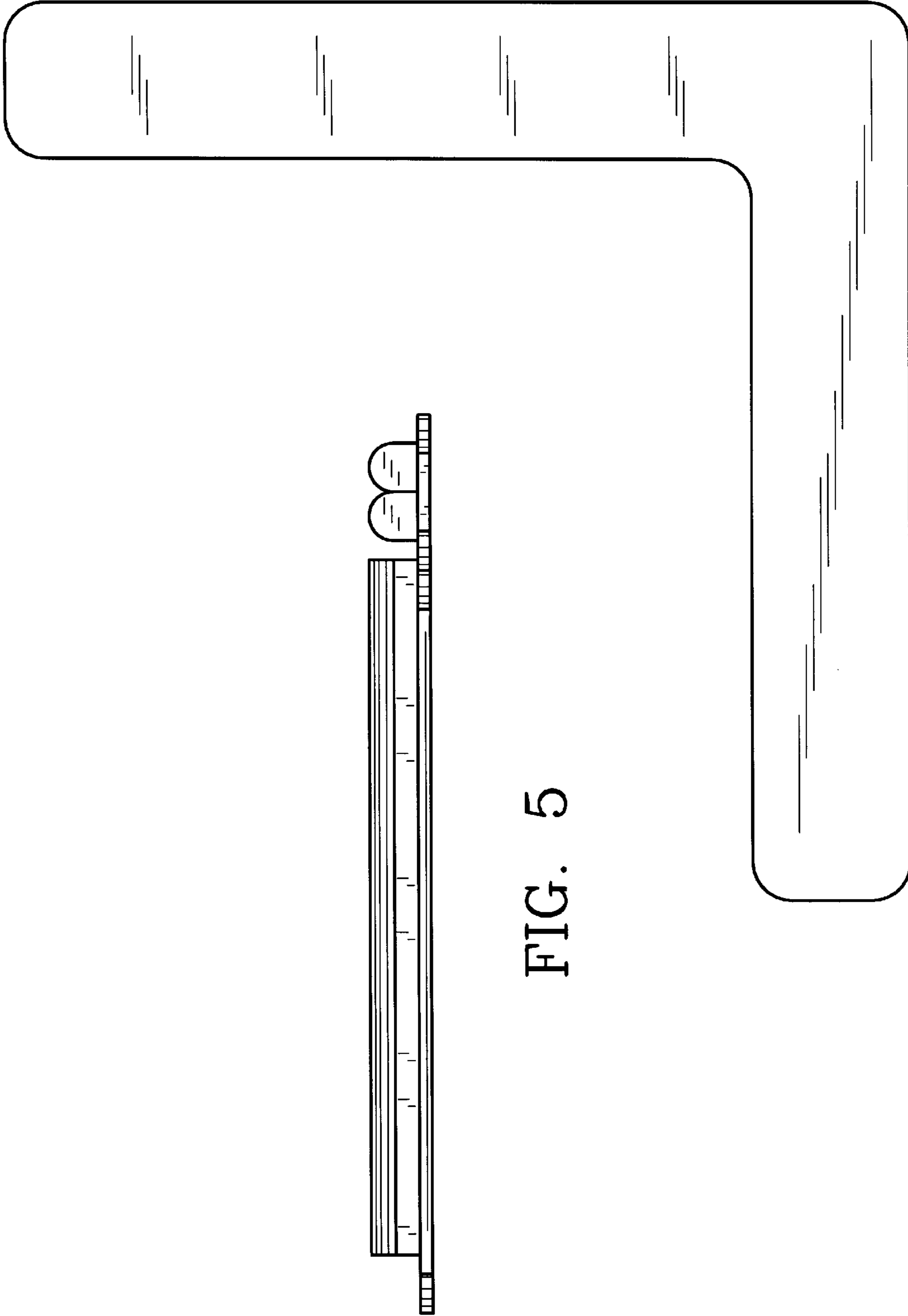


FIG. 5

FIG. 4

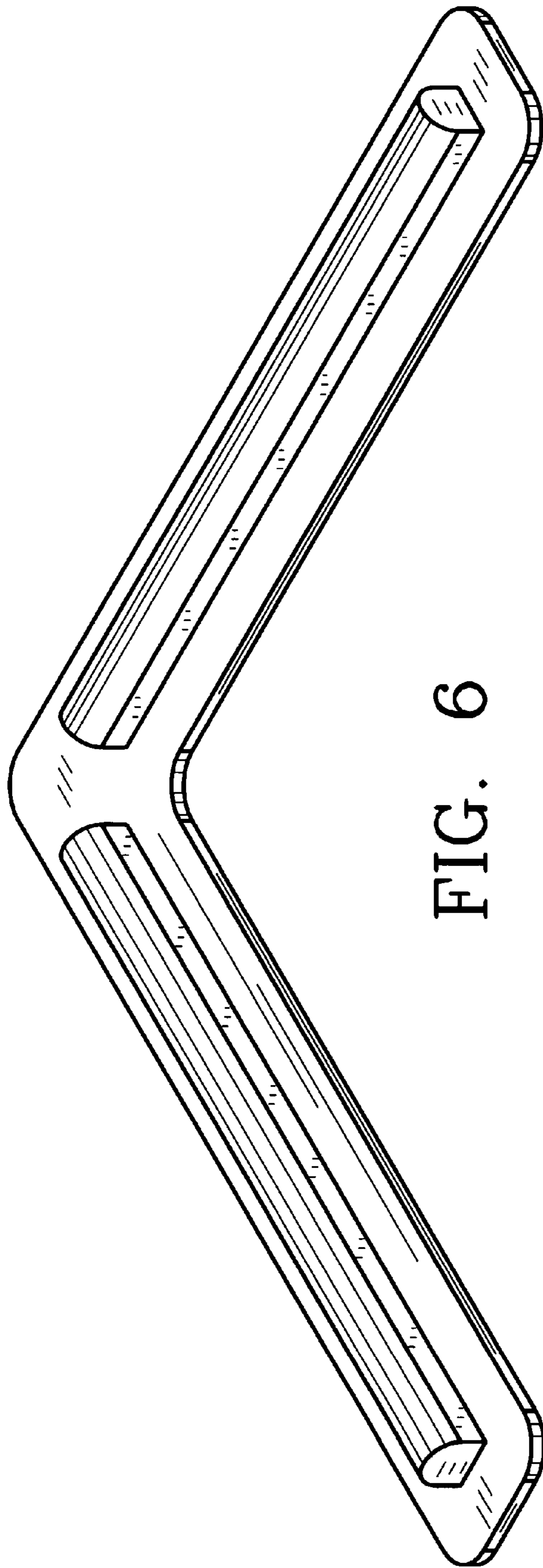


FIG. 6

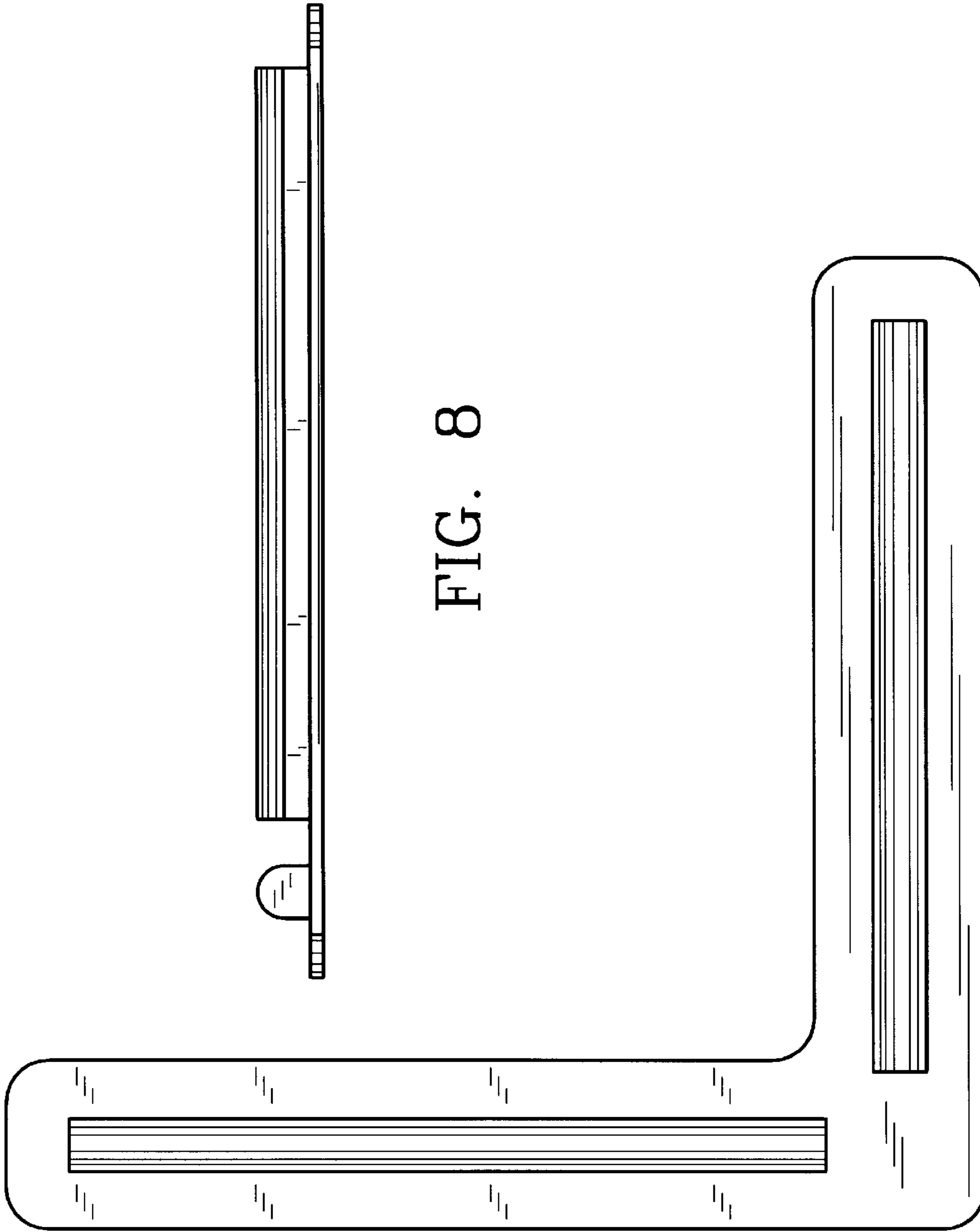


FIG. 8

FIG. 7

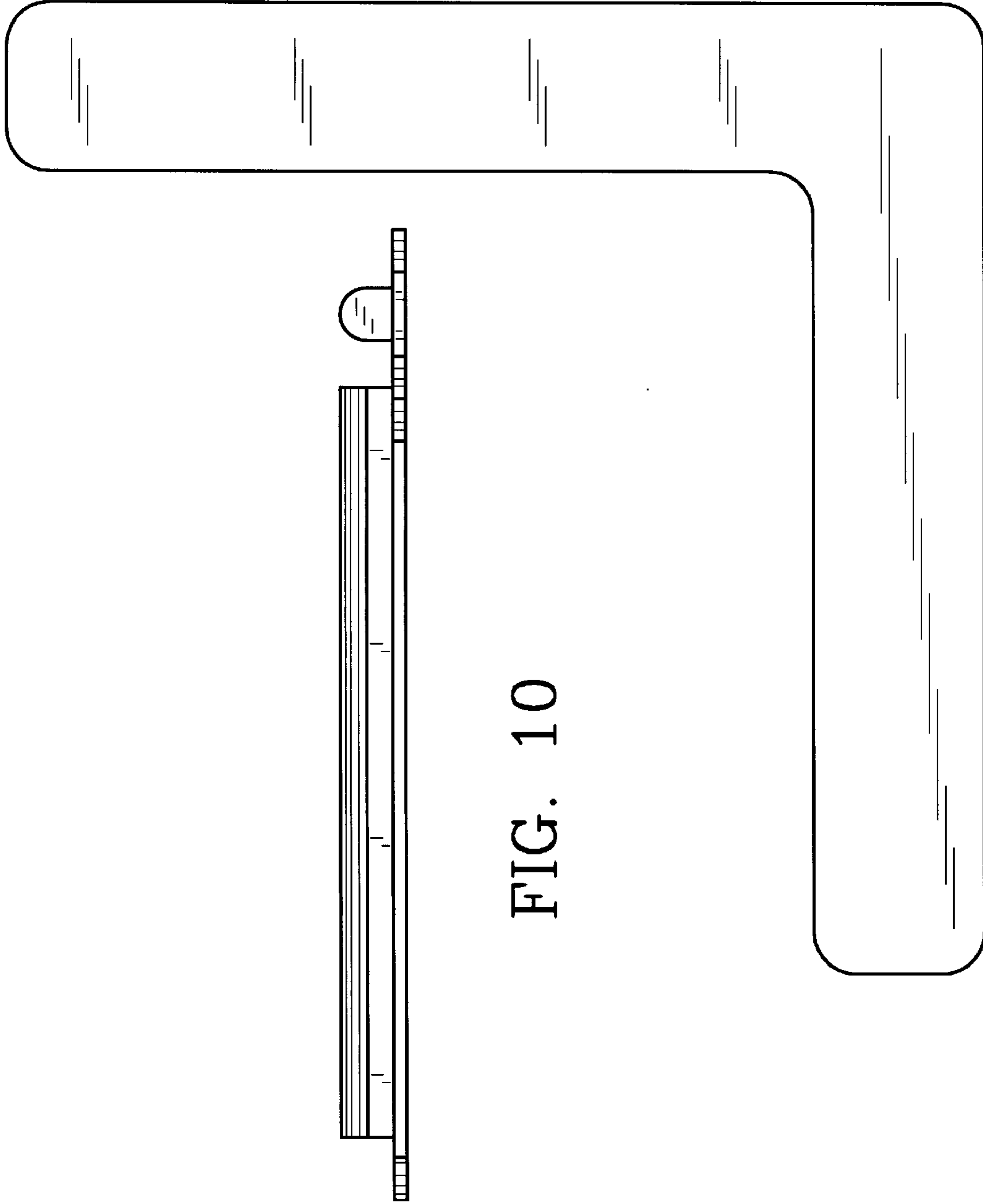


FIG. 10

FIG. 9