



US00D419702S

United States Patent [19]

Ford et al.

[11] Patent Number: Des. 419,702

[45] Date of Patent: ** Jan. 25, 2000

[54] **FORWARD FACING WARNING LIGHT SYSTEM**

[75] Inventors: **Robert B. Ford**, Cromwell; **William J. Pokorny**, Haddam, both of Conn.

[73] Assignee: **Whelen Engineering Company, Inc.**, Chester, Conn.

[**] Term: **14 Years**

[21] Appl. No.: **29/101,322**

[22] Filed: **Mar. 1, 1999**

[51] **LOC (7) Cl.** **26-06**

[52] **U.S. Cl.** **D26/28**

[58] **Field of Search** D26/28-36, 72, D26/80, 90; 362/61, 74, 336, 362, 364, 372, 404, 432

[56] **References Cited**

U.S. PATENT DOCUMENTS

D. 324,111	2/1992	Arbisi	D26/28
D. 356,169	3/1995	Zyons	D26/28
D. 375,180	10/1996	Zyons	D26/28
D. 385,368	10/1997	Zyons	D26/28
D. 393,729	4/1998	Juttle	D26/28
D. 407,167	3/1999	Sacco et al.	D26/28

Primary Examiner—Marcus A. Jackson
Attorney, Agent, or Firm—Alix, Yale & Ristas LLP

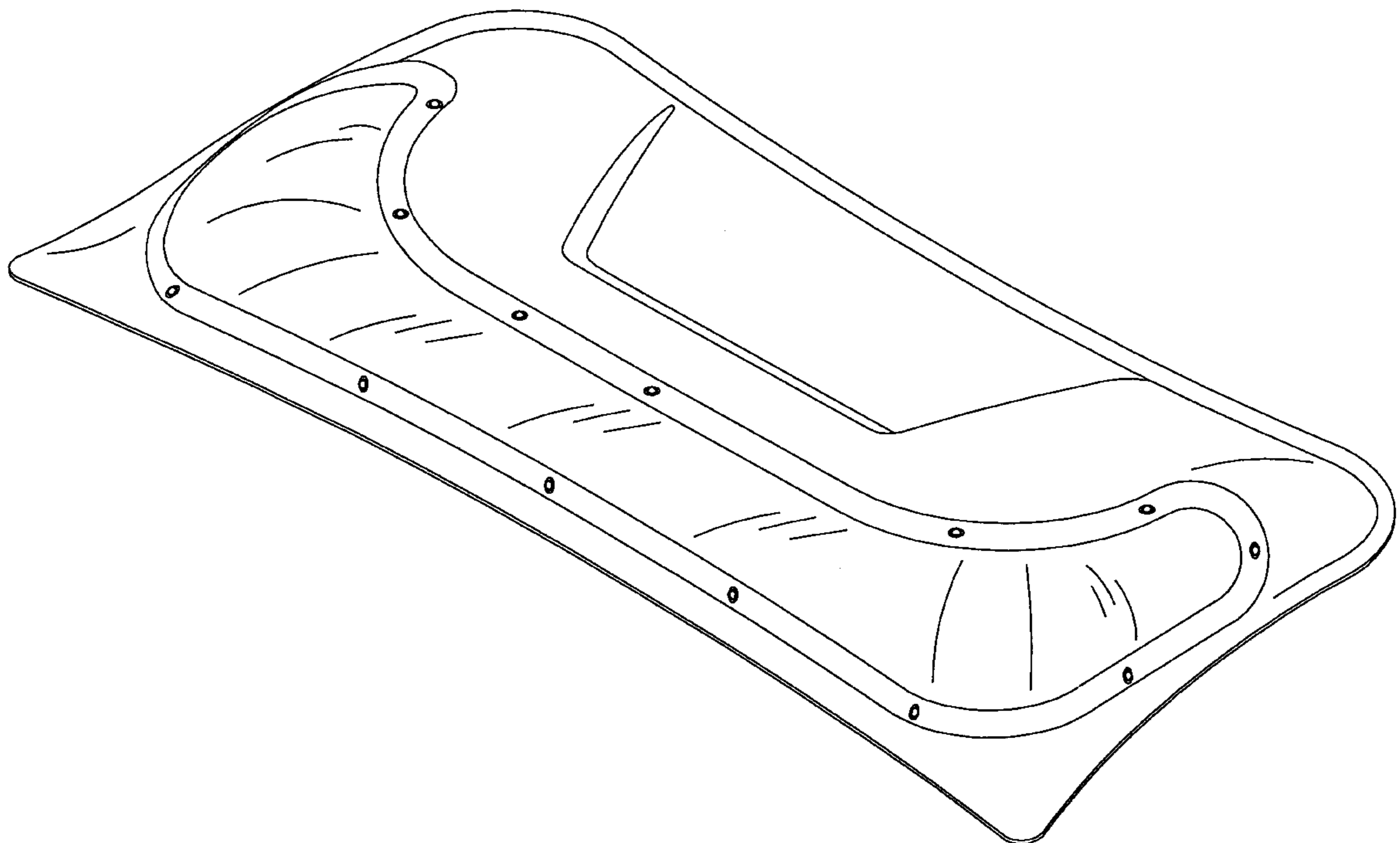
[57] **CLAIM**

The ornamental design for a forward facing warning light system, as shown and described.

DESCRIPTION

FIG. 1 is a perspective view of a forward facing warning light system showing our new design;
 FIG. 2 is a top view thereof;
 FIG. 3 is a front elevational view thereof;
 FIG. 4 is a side elevational view thereof, the forward facing warning light system appearing the same when viewed from the opposite side;
 FIG. 5 is a rear elevational view thereof;
 FIG. 6 is a perspective view of a modified form of the forward facing warning light system depicted in FIG. 1-5, the embodiment of FIG. 6 including an optional rearwardly facing light subassembly mounted on the top of the forward facing warning light system of FIG. 1-5;
 FIG. 7 is a top view of the forward facing warning light system of FIG. 6;
 FIG. 8 is a front elevational view of the forward facing warning light system of FIG. 6 and 7;
 FIG. 9 is a side elevational view of the forward facing warning light system of FIG. 6-8, the design appearing the same when viewed from the opposite side; and
 FIG. 10 is a rear elevational view of the forward facing warning light system of FIG. 6-9.
 The appearance of our new design, as seen from the bottom, forms no part of the claimed design.

1 Claim, 10 Drawing Sheets



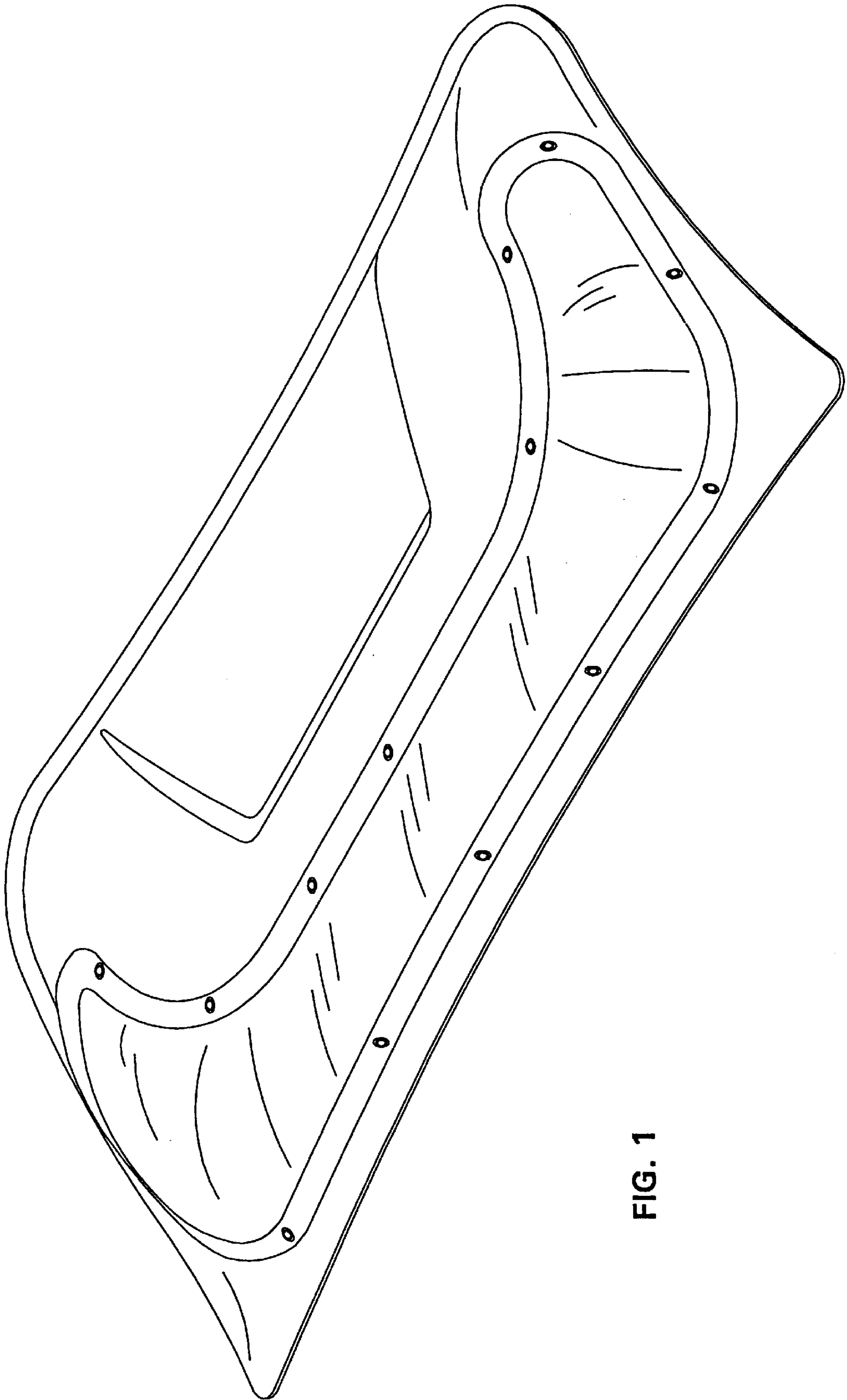


FIG. 1

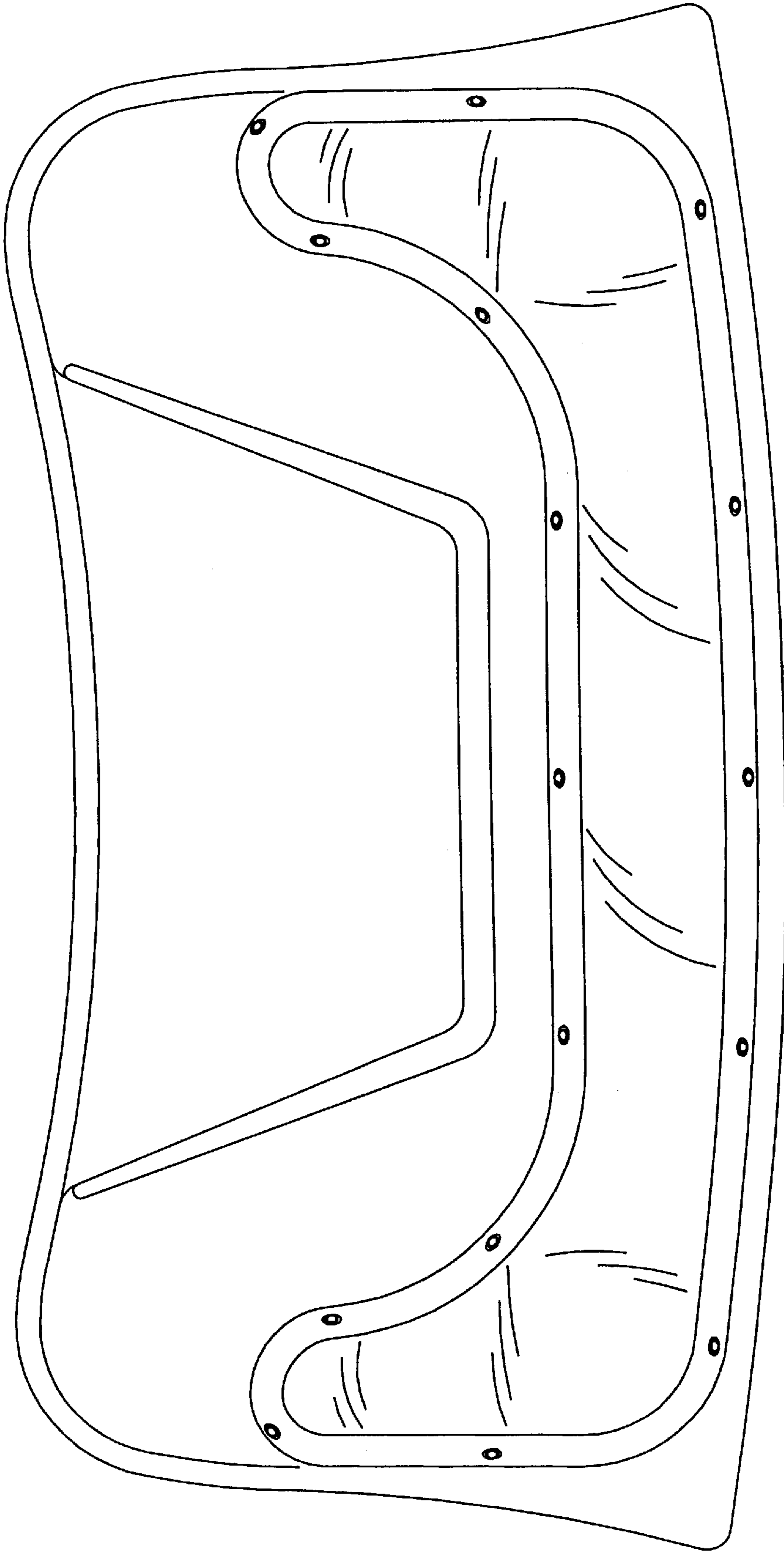


FIG. 2

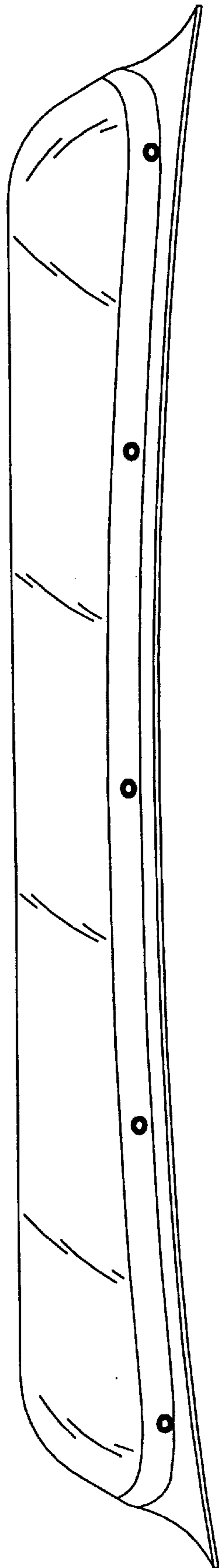


FIG. 3

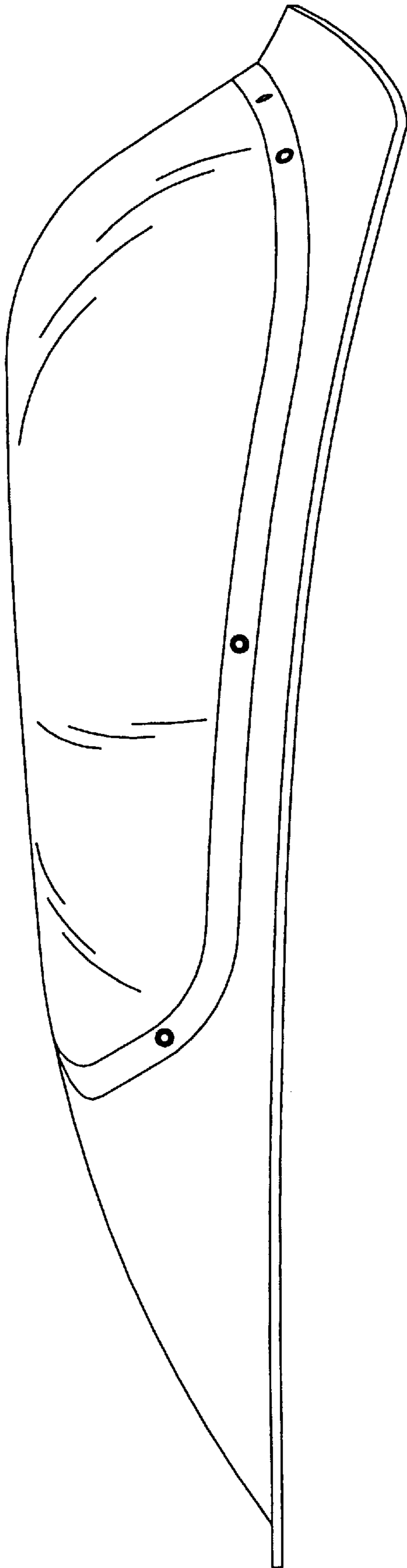


FIG. 4

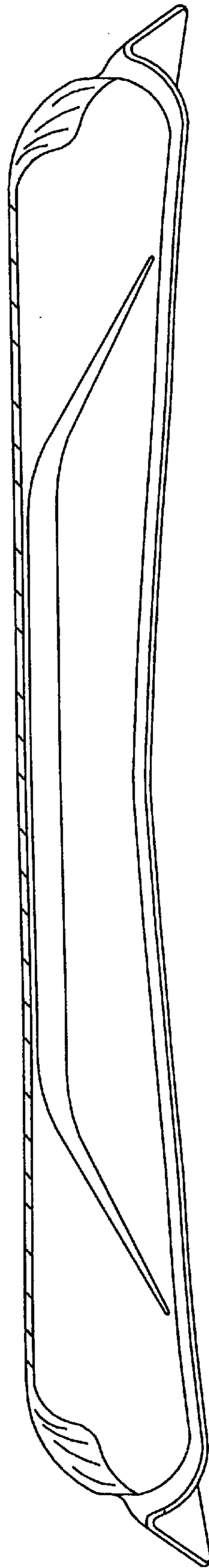


FIG. 5

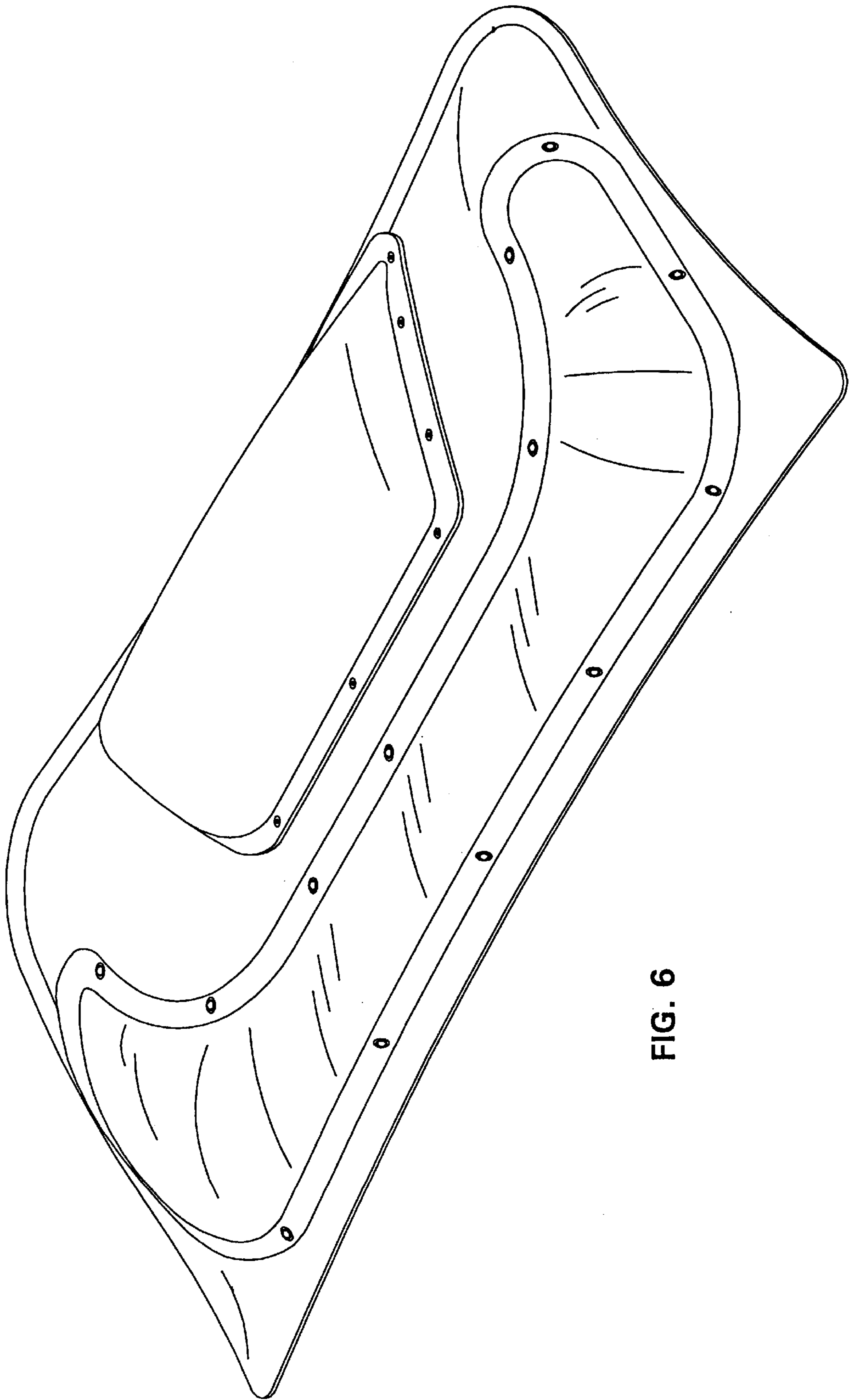


FIG. 6

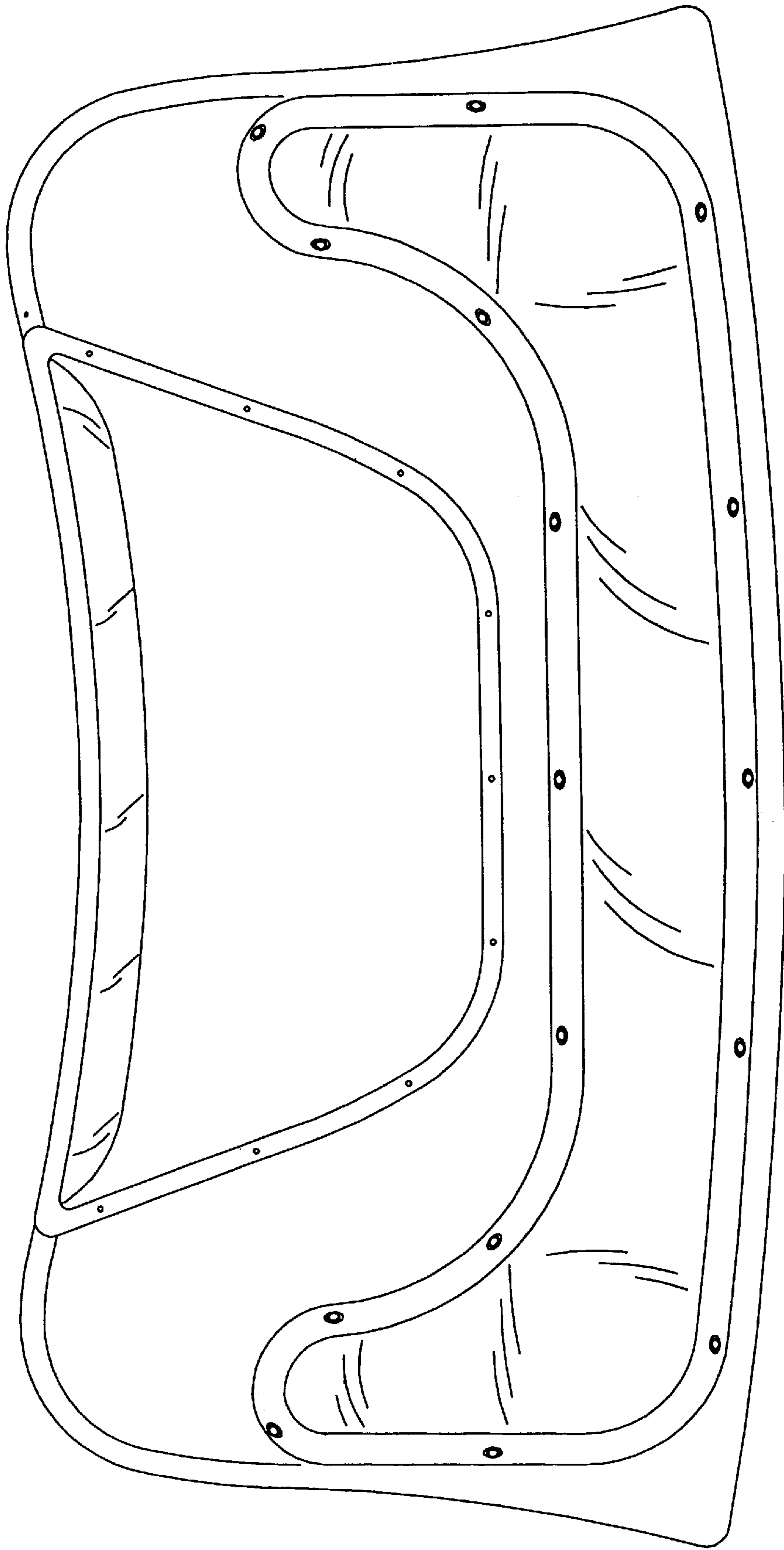


FIG. 7

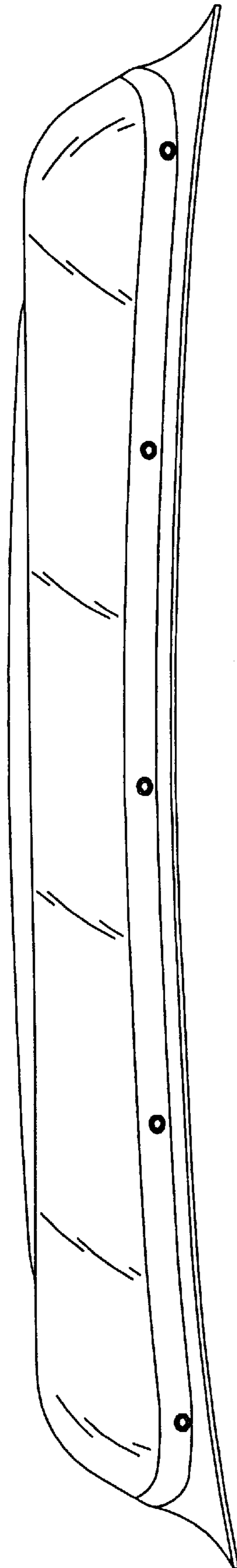


FIG. 8

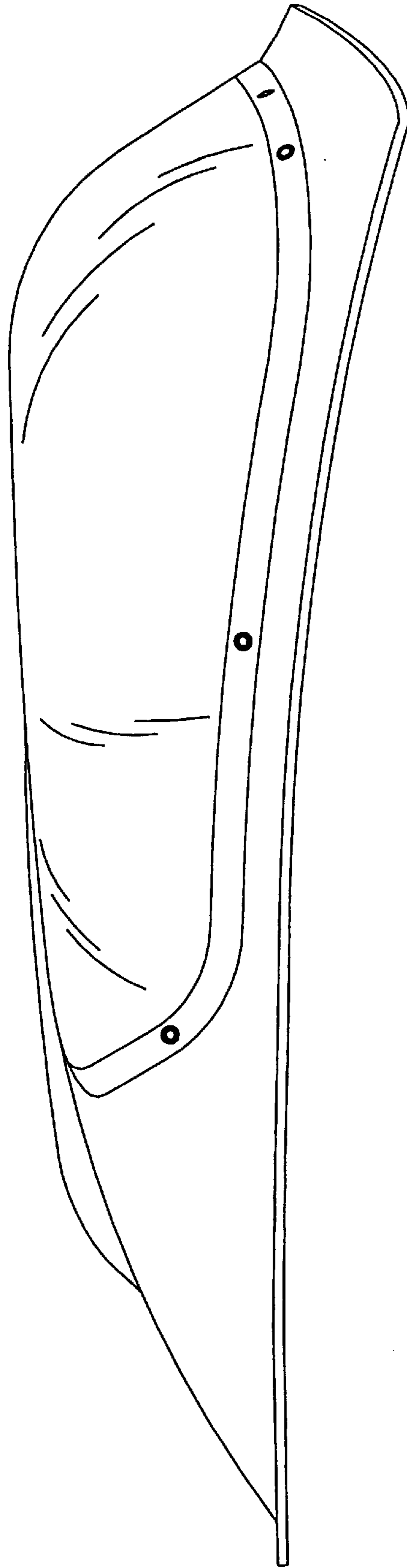


FIG. 9

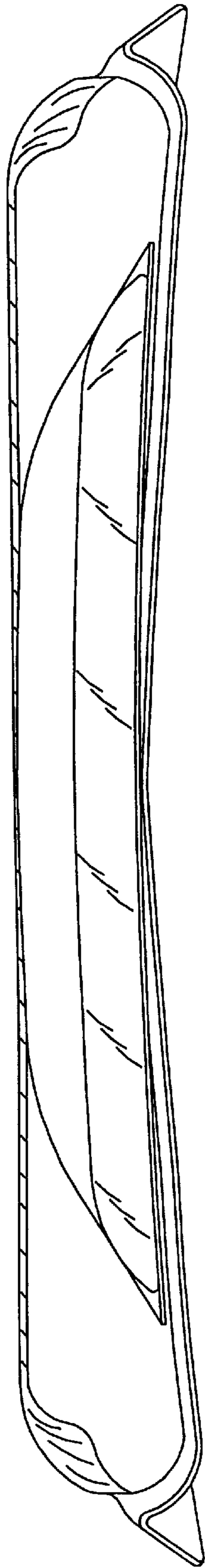


FIG. 10