



US00D419695S

United States Patent [19]

Hersh et al.

[11] Patent Number: **Des. 419,695**

[45] Date of Patent: **** Jan. 25, 2000**

[54] WINDOW COMPONENT EXTRUSION

[75] Inventors: **Jeffrey B. Hersh**, Wayne, Pa.; **Dennis Westphal**, Parma, Mich.

[73] Assignee: **CertainTeed Corporation**, Valley Forge, Pa.

[**] Term: **14 Years**

[21] Appl. No.: **29/098,606**

[22] Filed: **Dec. 29, 1998**

[51] LOC (7) Cl. **25-01**

[52] U.S. Cl. **D25/124**

[58] Field of Search D25/119-125,
D25/60, 52; 52/204.5; 49/501, 504, DIG. 1,
DIG. 2, 181

[56] **References Cited**

U.S. PATENT DOCUMENTS

D. 353,895 12/1994 Dallaire et al. D25/124

Primary Examiner—Doris Clark

Attorney, Agent, or Firm—Duane Morris & Heckscher LLP

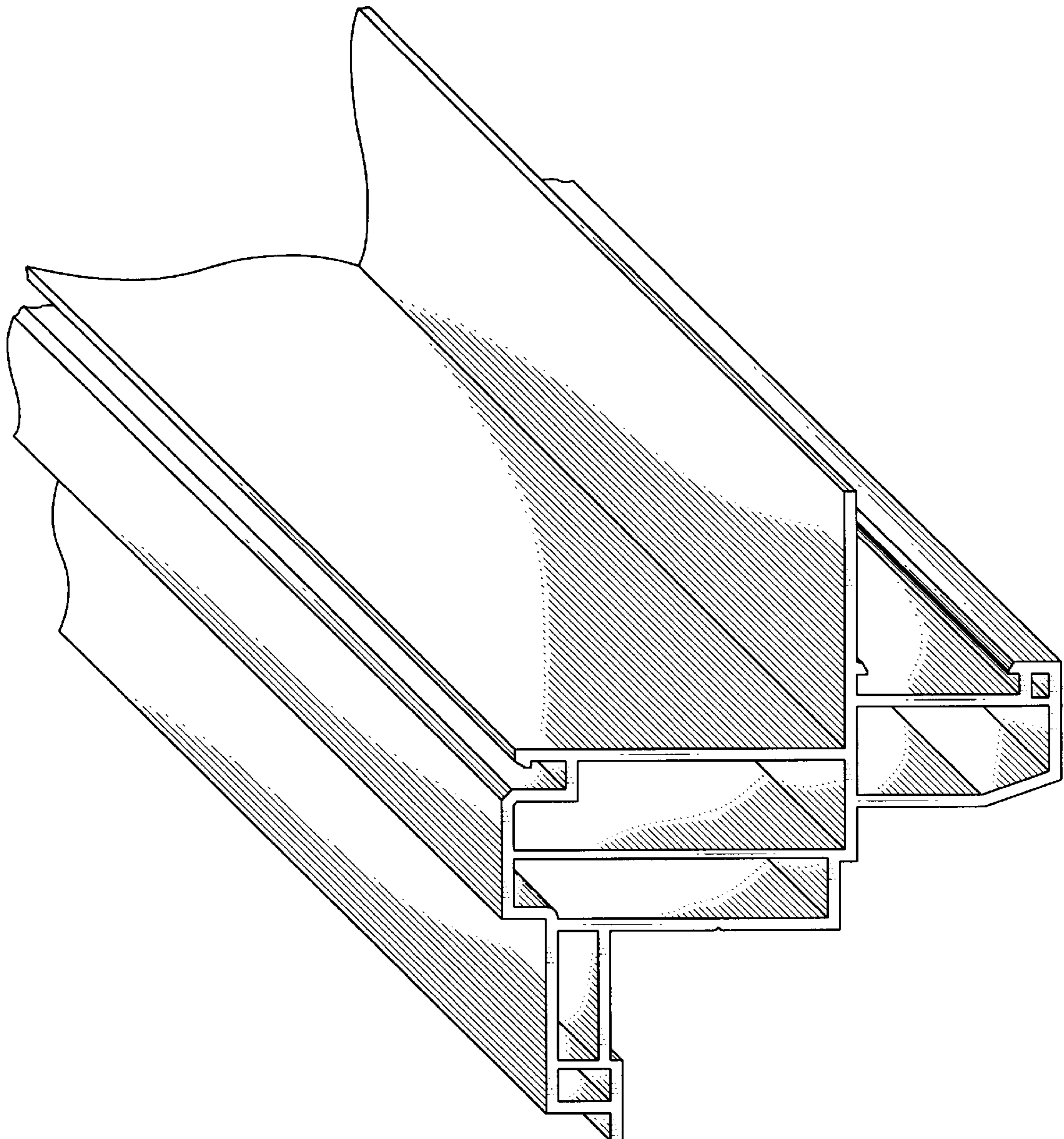
[57] **CLAIM**

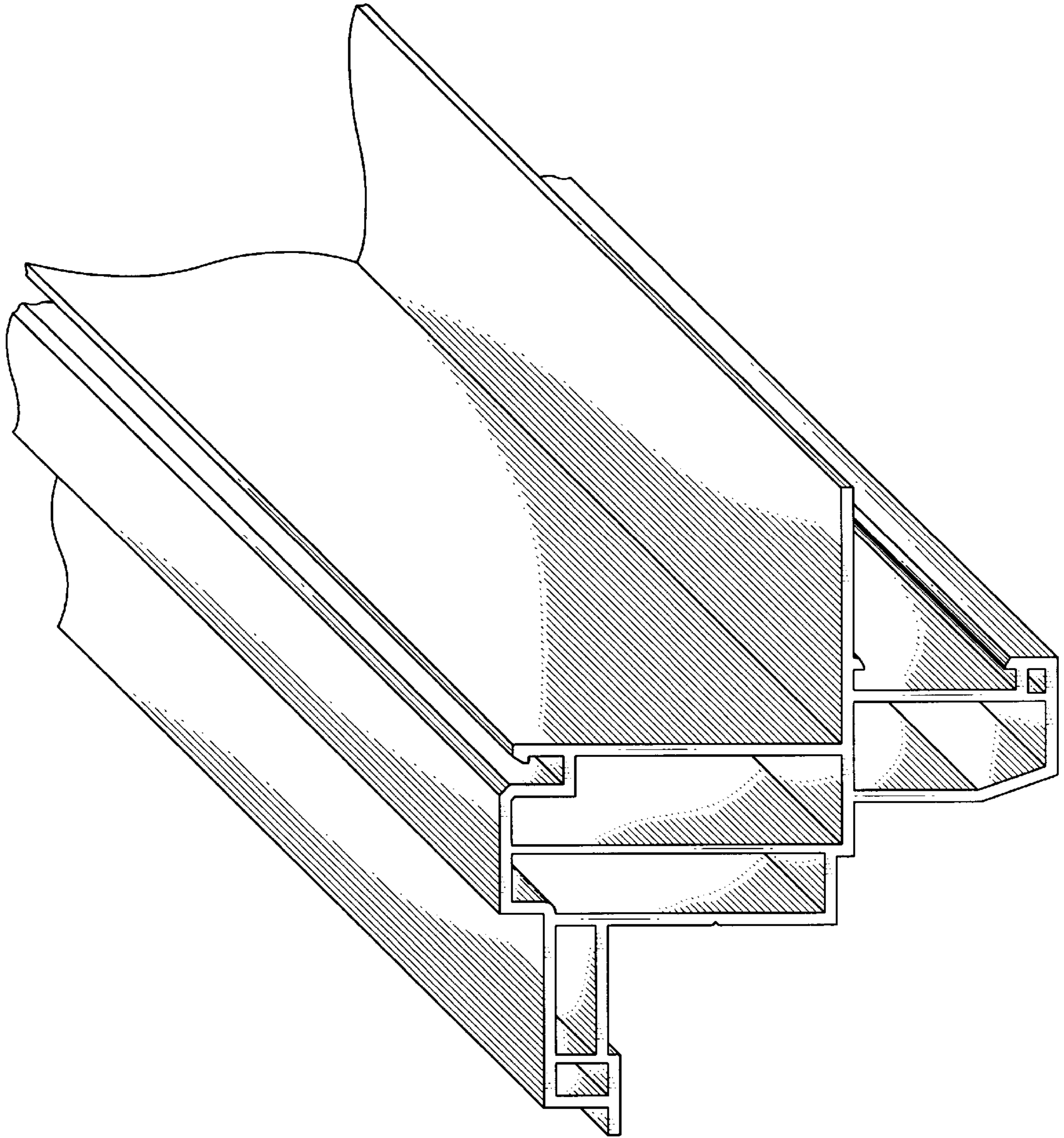
The ornamental design for a window component extrusion, as shown and described.

DESCRIPTION

The FIGURE is a broken front perspective view of a window component extrusion showing our new design, the rear perspective view being a mirror image thereof.

1 Claim, 1 Drawing Sheet





THE FIGURE