



US00D419694S

United States Patent [19]

Hersh et al.

[11] Patent Number: Des. 419,694

[45] Date of Patent: ** Jan. 25, 2000

[54] WINDOW COMPONENT EXTRUSION

[75] Inventors: Jeffrey B. Hersh, Wayne, Pa.; Dennis Westphal, Parma, Mich.; Brian Opielski, Malvern, Pa.; Jerome C. Habeck, Holt, Mich.

[73] Assignee: CertainTeed Corporation, Valley Forge, Pa.

[**] Term: 14 Years

[21] Appl. No.: 29/098,605

[22] Filed: Dec. 29, 1998

[51] LOC (7) Cl. 25-01

[52] U.S. Cl. D25/124

[58] Field of Search D25/52, 60, 119-125; 52/204.5; 49/501, 504, DIG. 1, DIG. 2, 181

[56] References Cited

U.S. PATENT DOCUMENTS

D. 384,754 10/1997 Goss D25/124

Primary Examiner—Doris Clark
Attorney, Agent, or Firm—Duane Morris & Heckscher LLP

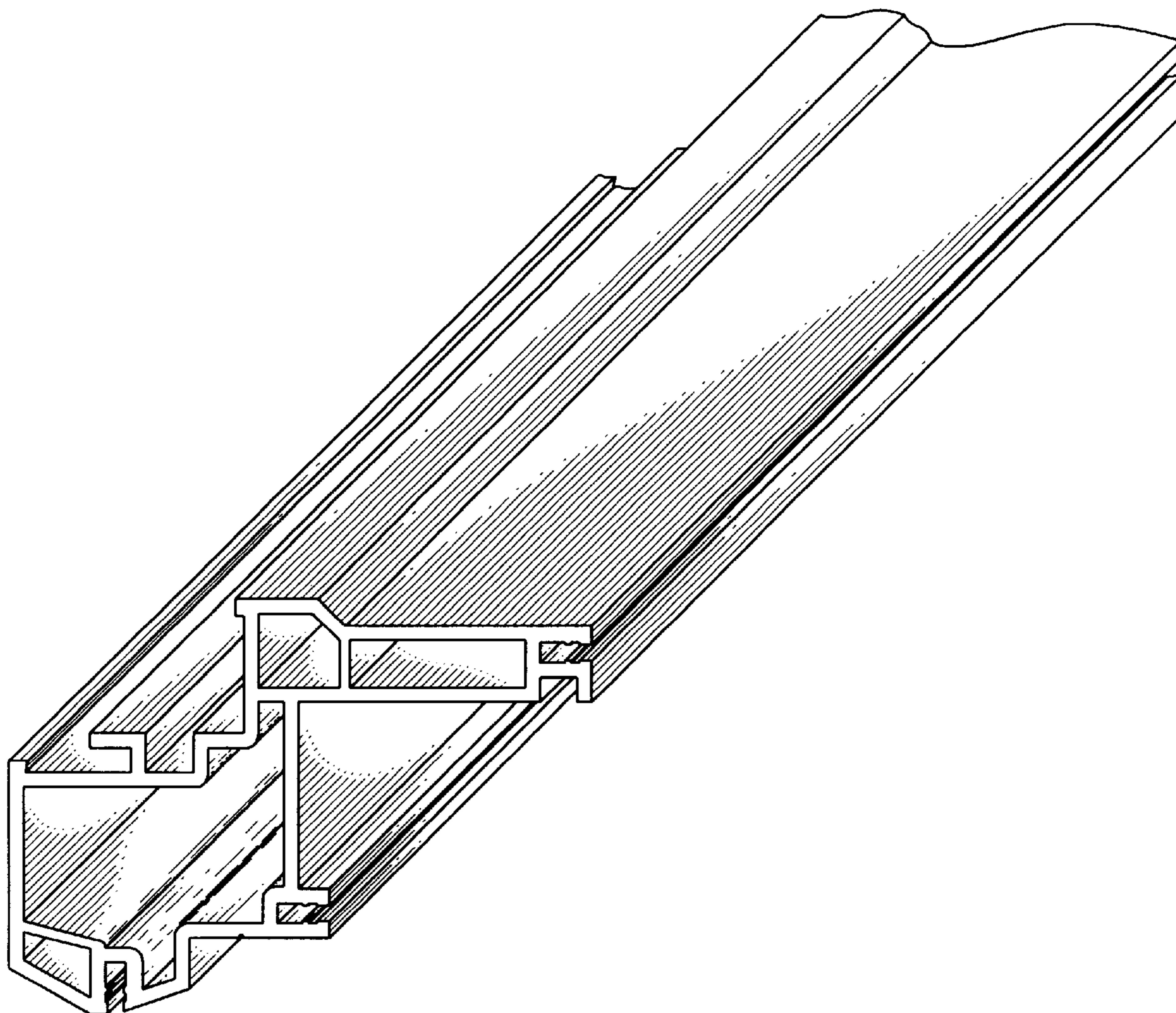
[57] CLAIM

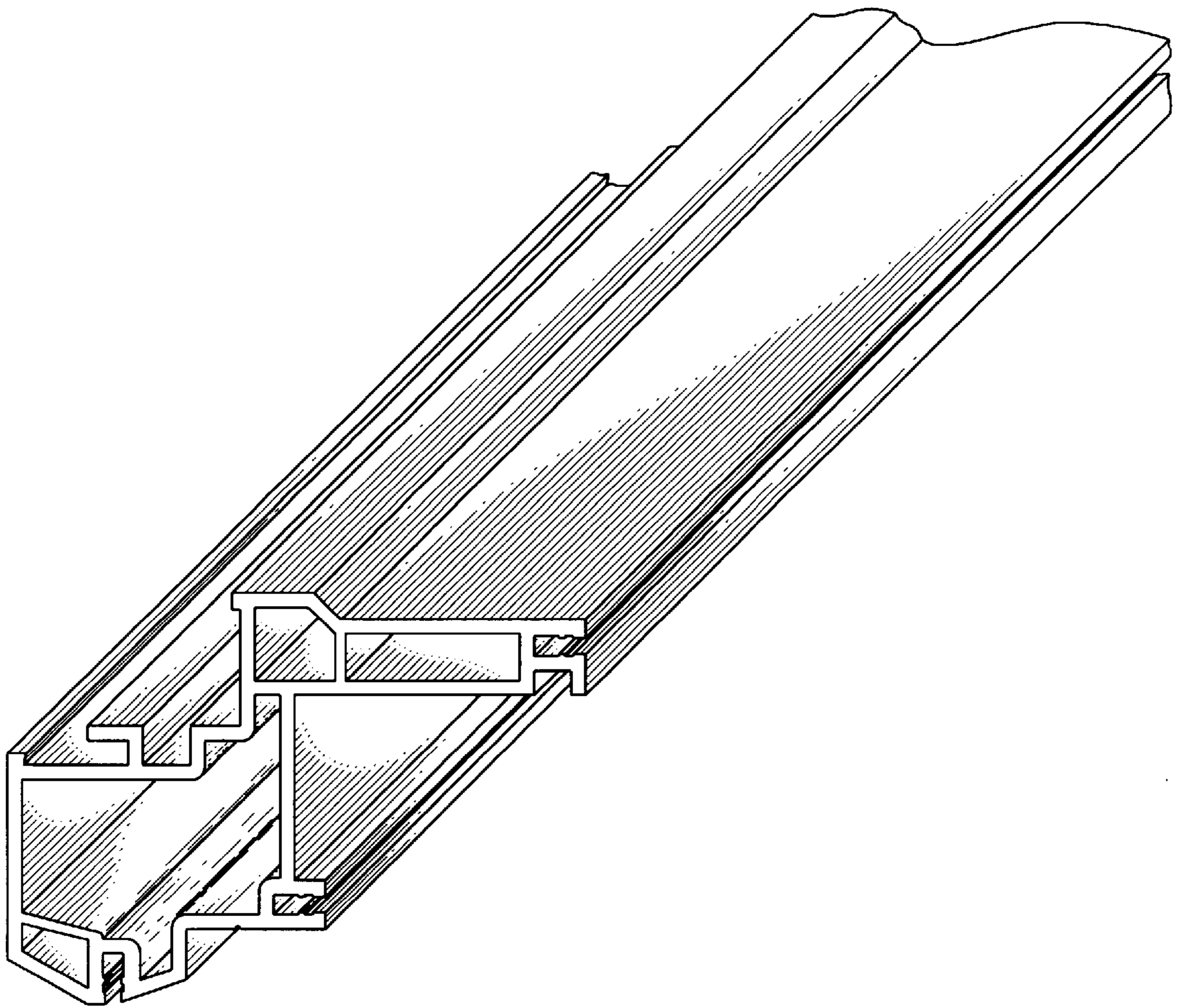
The ornamental design for a window component extrusion, as shown and described.

DESCRIPTION

The FIGURE is a broken front perspective view of a window component extrusion showing our new design, the rear perspective view being a mirror image thereof.

1 Claim, 1 Drawing Sheet





THE FIGURE