



US00D419688S

United States Patent [19]
Rau

[11] **Patent Number: Des. 419,688**

[45] **Date of Patent: ** Jan. 25, 2000**

[54] **DECK RAILING SECTION**

5,255,897 10/1993 Pepper 256/24
5,609,327 3/1997 Amidon 256/65

[76] Inventor: **Harvey G. Rau**, 222 Marion, Council Bluffs, Iowa 51503

Primary Examiner—Doris Clark
Attorney, Agent, or Firm—Koley, Jessen, Daubman & Rupiper, P.C.; Mark D. Frederiksen

[**] Term: **14 Years**

[21] Appl. No.: **29/099,424**

[57] **CLAIM**

[22] Filed: **Jan. 21, 1999**

The ornamental design for a deck railing section, as shown and described.

[51] **LOC (7) Cl.** **25-02**

DESCRIPTION

[52] **U.S. Cl.** **D25/38**

[58] **Field of Search** D25/42, 38-41,
D25/43-44; 256/65, 24, 59, 19

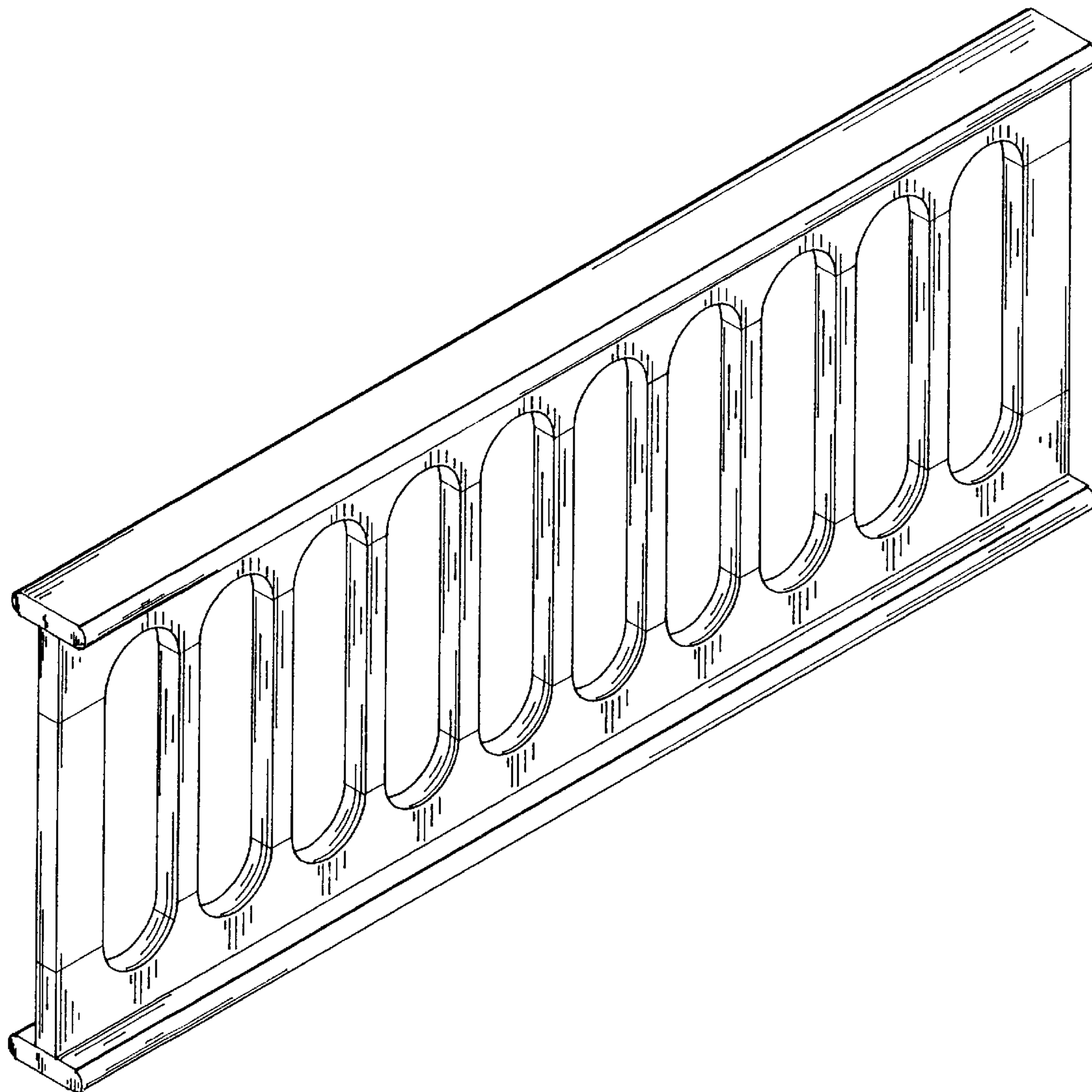
FIG. 1 is a perspective view of the deck railing section showing my new design;
FIG. 2 is a top plan view thereof, the bottom plan view being identical thereto;
FIG. 3 is a front elevational view thereof, the rear elevational view being identical thereto; and,
FIG. 4 is an elevational view taken from the right side of FIG. 3. The left elevational view being identical thereto.

[56] **References Cited**

U.S. PATENT DOCUMENTS

D. 220,476	4/1971	Horgan, Jr.	D25/1
D. 300,467	3/1989	Peddie	D25/42
D. 387,178	12/1997	Rau	D25/42
4,143,857	3/1979	Weiner	256/24

1 Claim, 2 Drawing Sheets



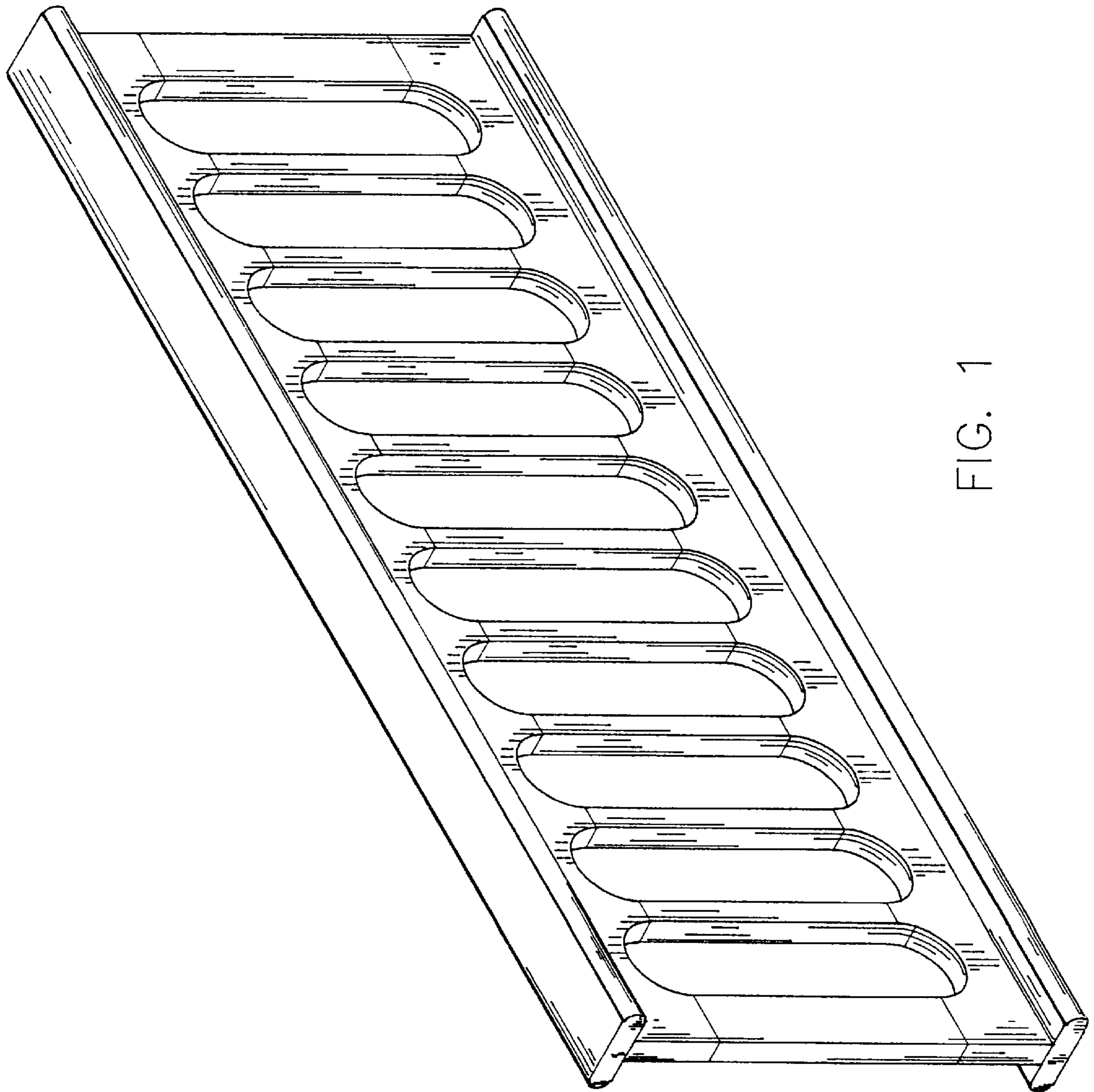


FIG. 1

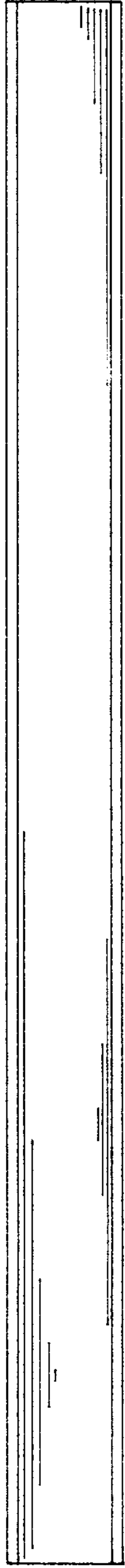


FIG. 2

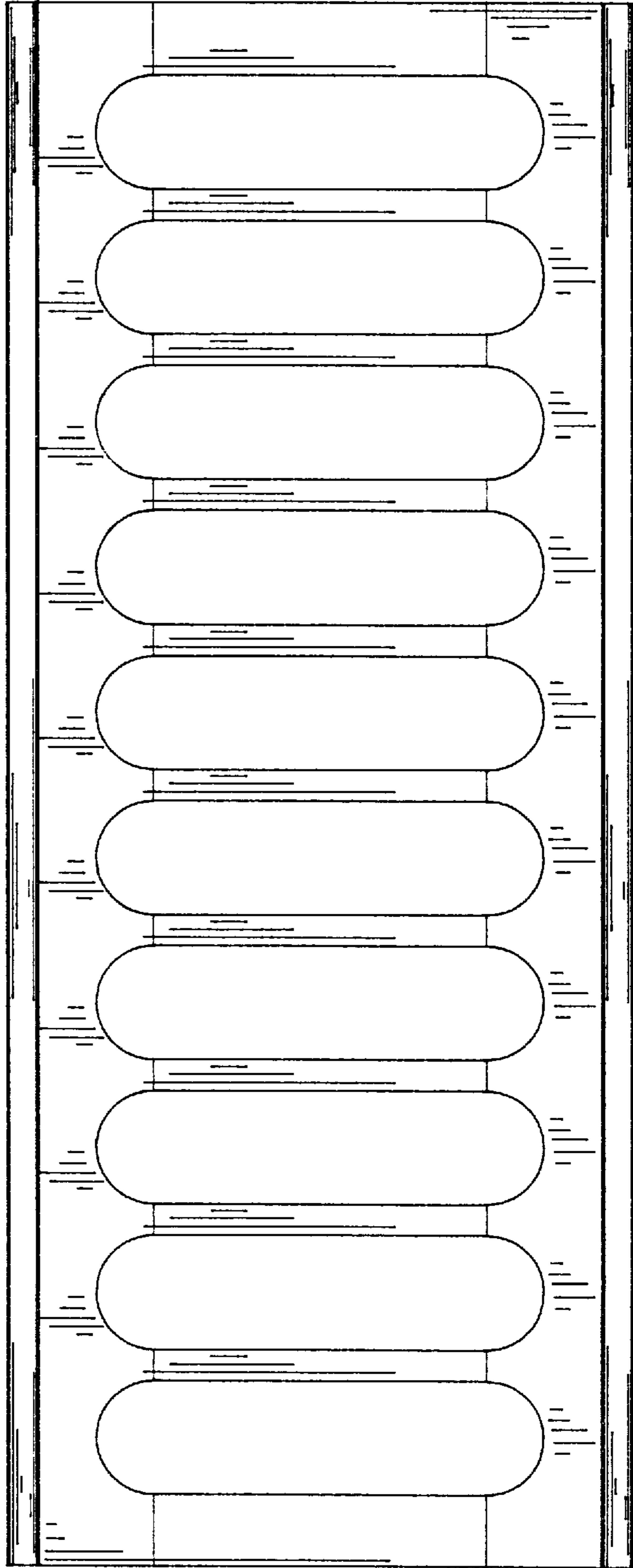


FIG. 3

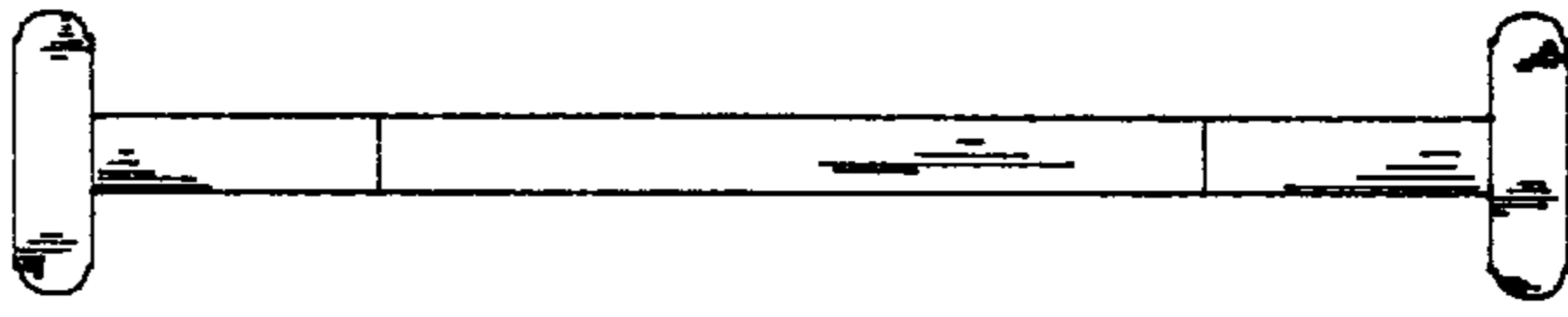


FIG. 4