



US00D419684S

United States Patent [19]

[11] Patent Number: **Des. 419,684**

Noble et al.

[45] Date of Patent: **** Jan. 25, 2000**

[54] TABLET CUTTER

[75] Inventors: **Terrance O. Noble**, Burnsville; **Robert N. Priebe**, Bloomington, both of Minn.

[73] Assignee: **Apothecary Products, Inc.**, Burnsville, Minn.

[**] Term: **14 Years**

[21] Appl. No.: **29/098,242**

[22] Filed: **Dec. 22, 1998**

[51] **LOC (7) Cl.** **24-02**

[52] **U.S. Cl.** **D24/220**

[58] **Field of Search** D24/216, 220;
30/124, 179; 225/103, 93; D3/203

[56] References Cited

U.S. PATENT DOCUMENTS

D. 310,731	9/1990	Lieptz	D24/220
4,159,568	7/1979	Berner	30/124
4,179,806	12/1979	Lieptz	30/124
4,473,192	9/1984	Urban et al.	241/168
5,038,475	8/1991	Wolff	30/124
5,118,021	6/1992	Fiocchi	225/103

Primary Examiner—Stella Reid

Attorney, Agent, or Firm—Merchant & Gould P.C.

[57] CLAIM

The ornamental design for tablet cutter, as shown and described.

DESCRIPTION

FIG. 1 is a perspective view of a tablet cutter as viewed from the top and side thereof;
 FIG. 2 is an elevational view of the front of the tablet cutter;
 FIG. 3 is an elevational view of the back or rear of the tablet cutter;
 FIG. 4 is a top plan view of the tablet cutter;
 FIG. 5 is a bottom plan view of the tablet cutter;
 FIG. 6 is an elevational view of one side of the tablet cutter, the opposite side being a mirror image thereof;
 FIG. 7 is a perspective view of the tablet cutter in an open position as viewed from the top and side thereof;
 FIG. 8 is an elevational view from the back or rear of the tablet cutter in an open position;
 FIG. 9 is an elevational view of the front of the tablet cutter in an open position;
 FIG. 10 is a top plan view of the tablet cutter in an open position;
 FIG. 11 is a bottom plan view of the tablet cutter in an open position; and,
 FIG. 12 is an elevational view of one side of the tablet cutter in an open position, the opposite side being a mirror image thereof.

1 Claim, 7 Drawing Sheets

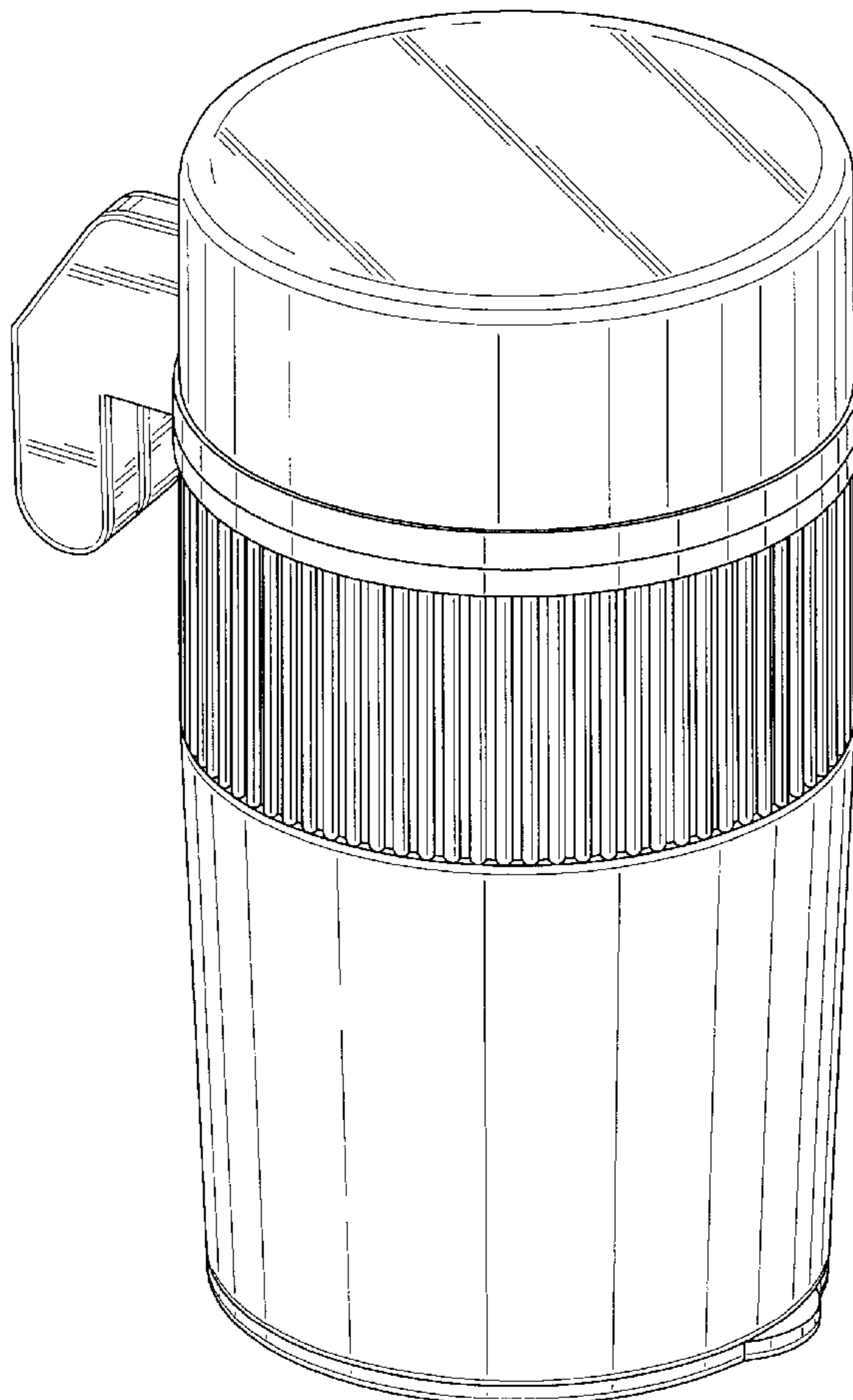
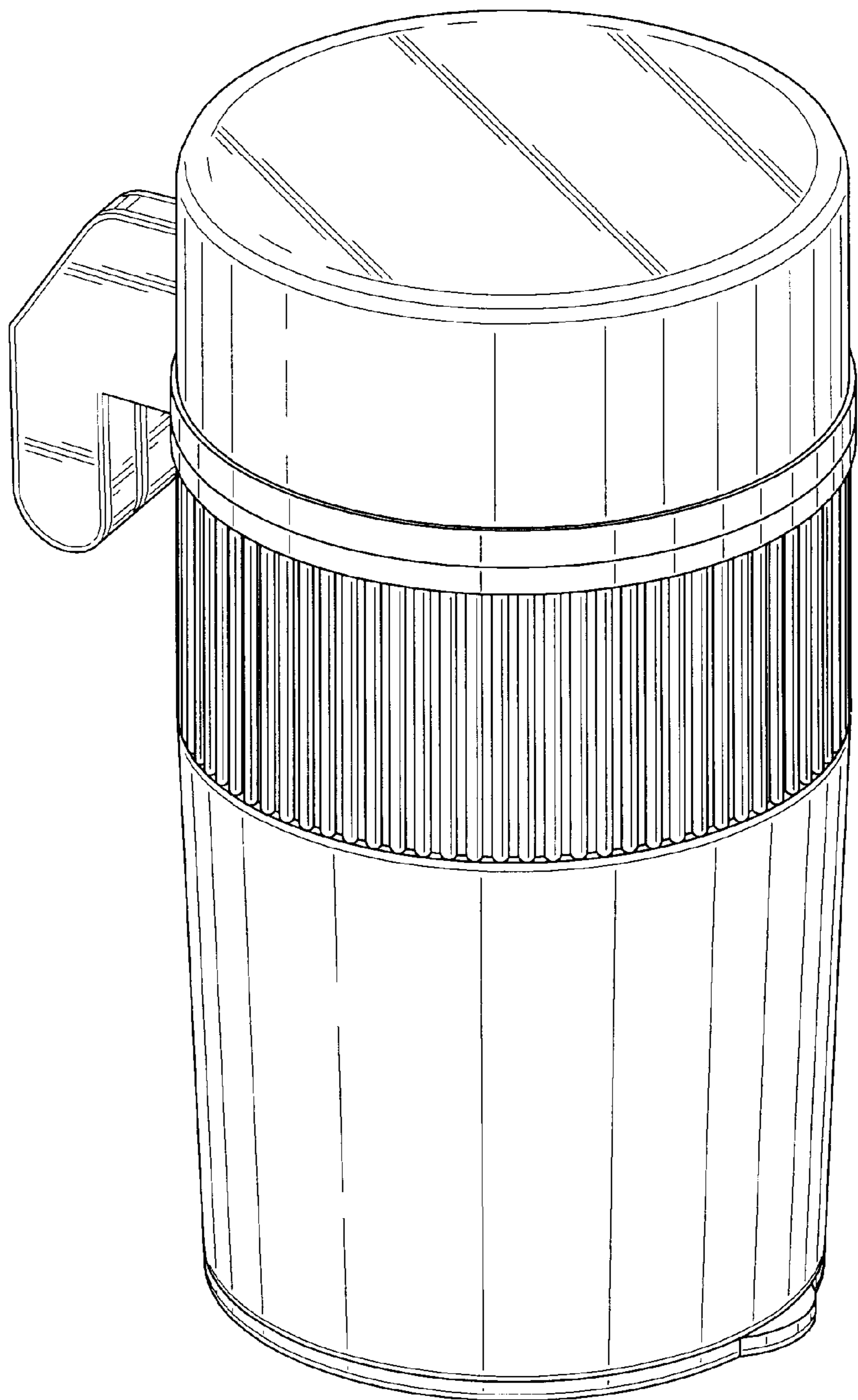


FIG. 1



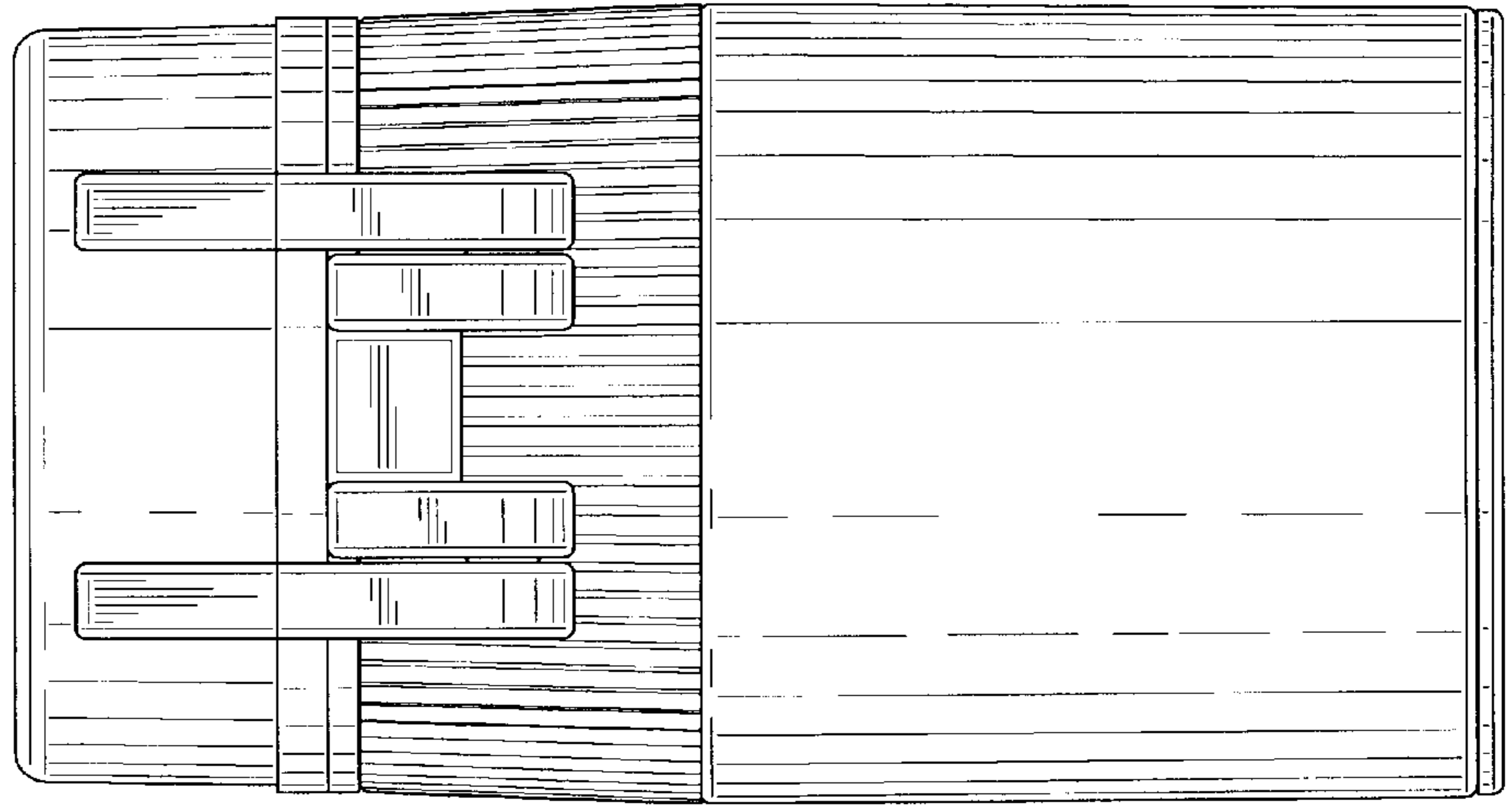


FIG. 3

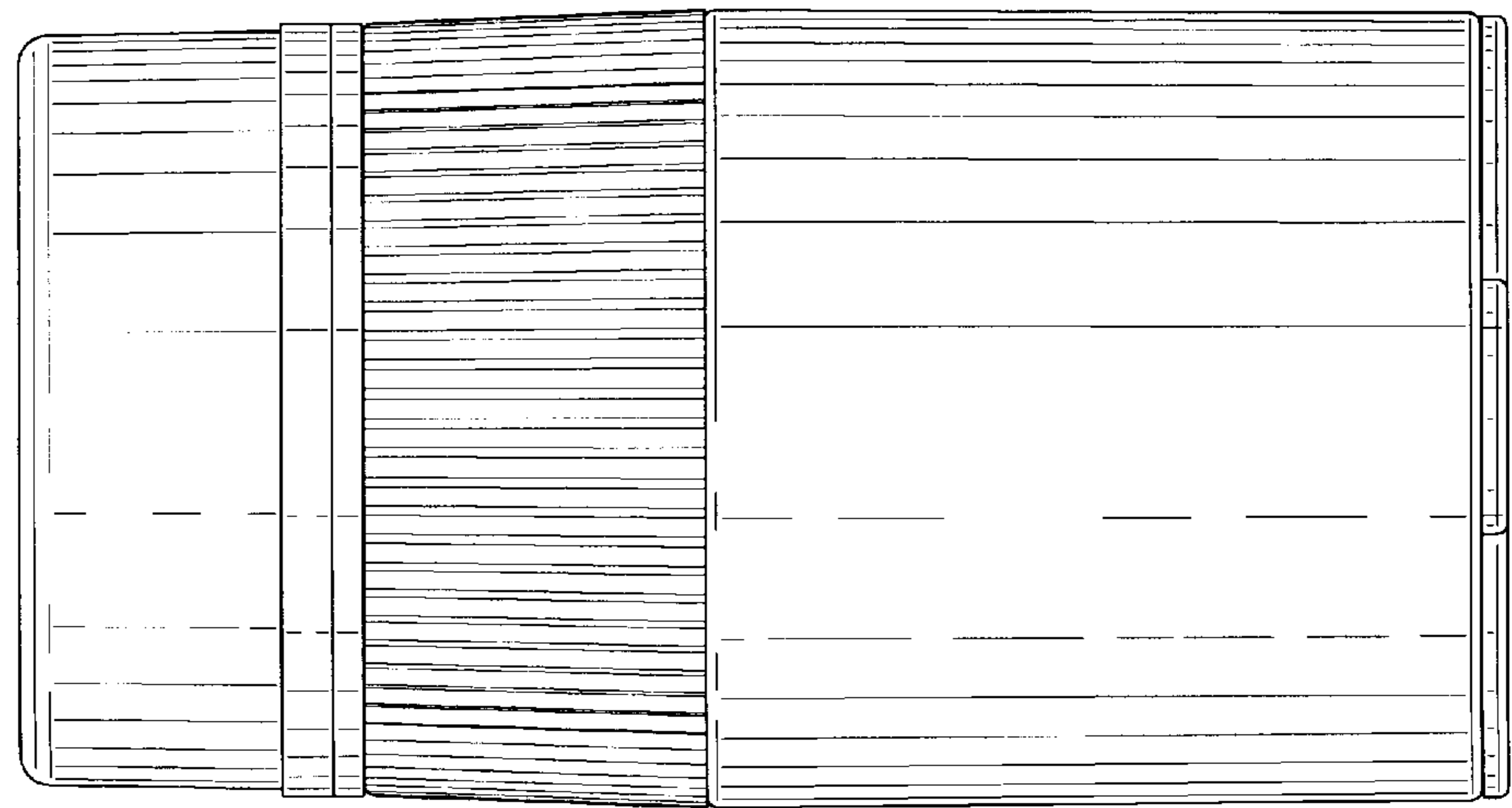


FIG. 2

FIG. 6

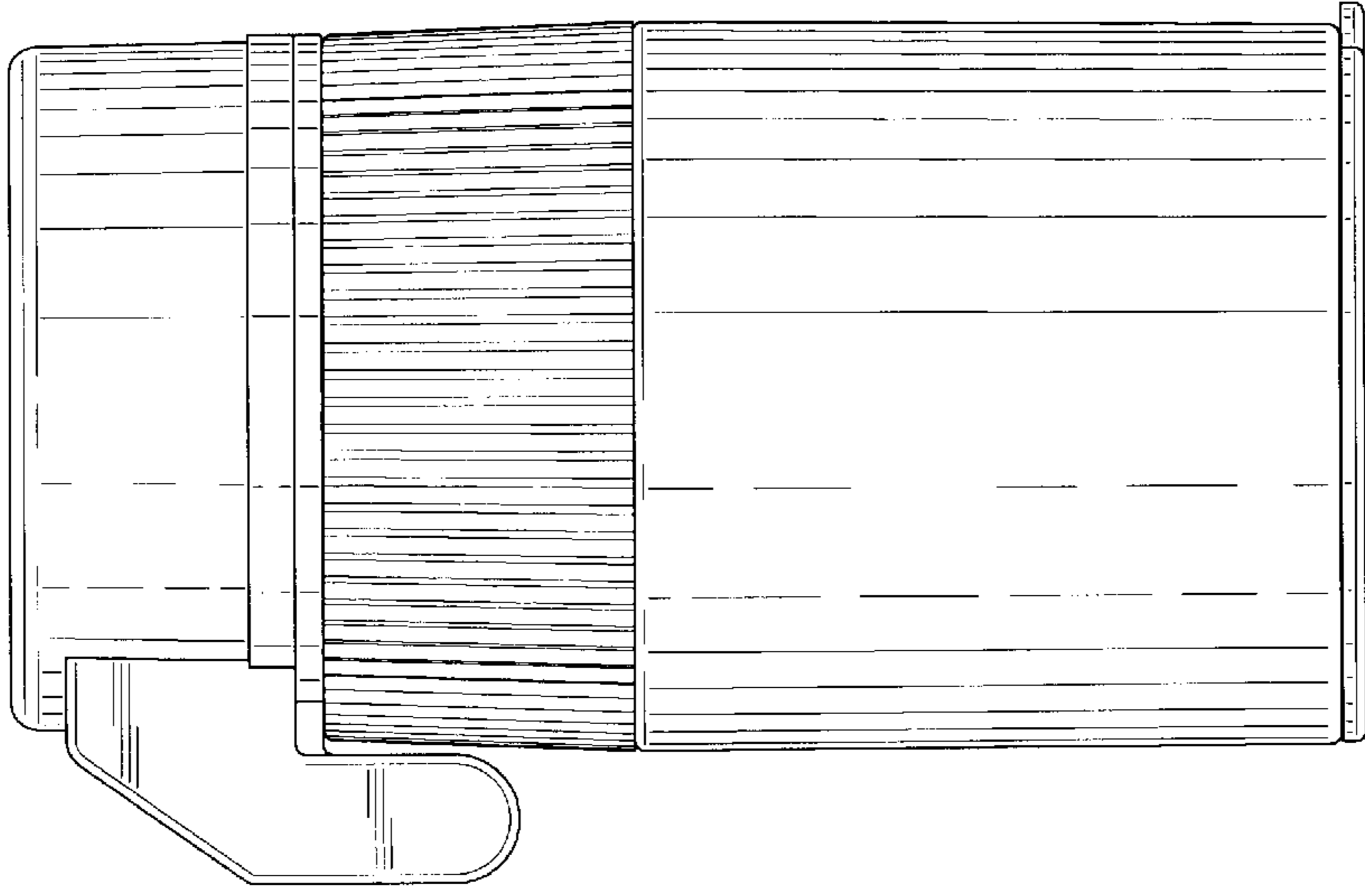


FIG. 4

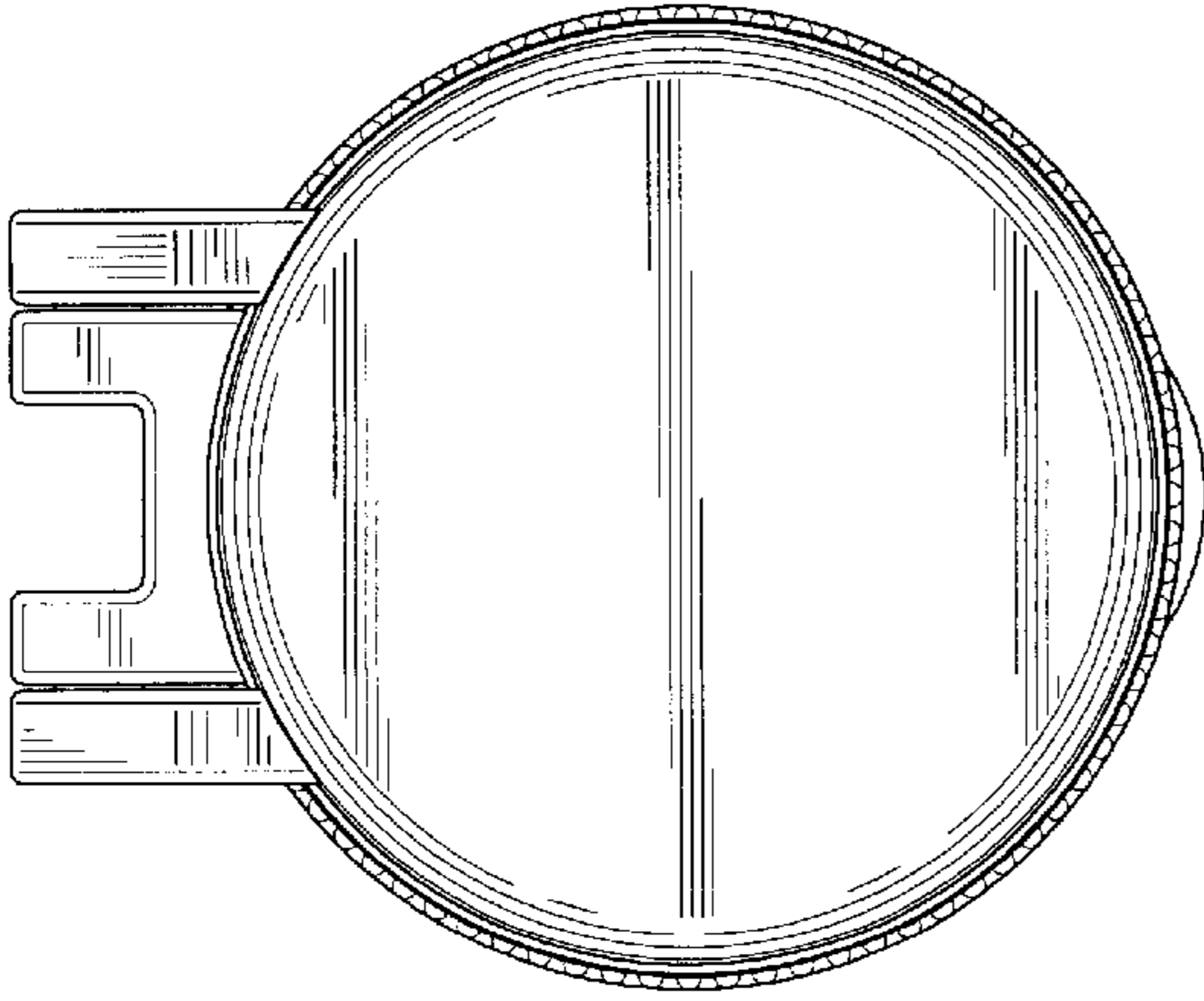


FIG. 5

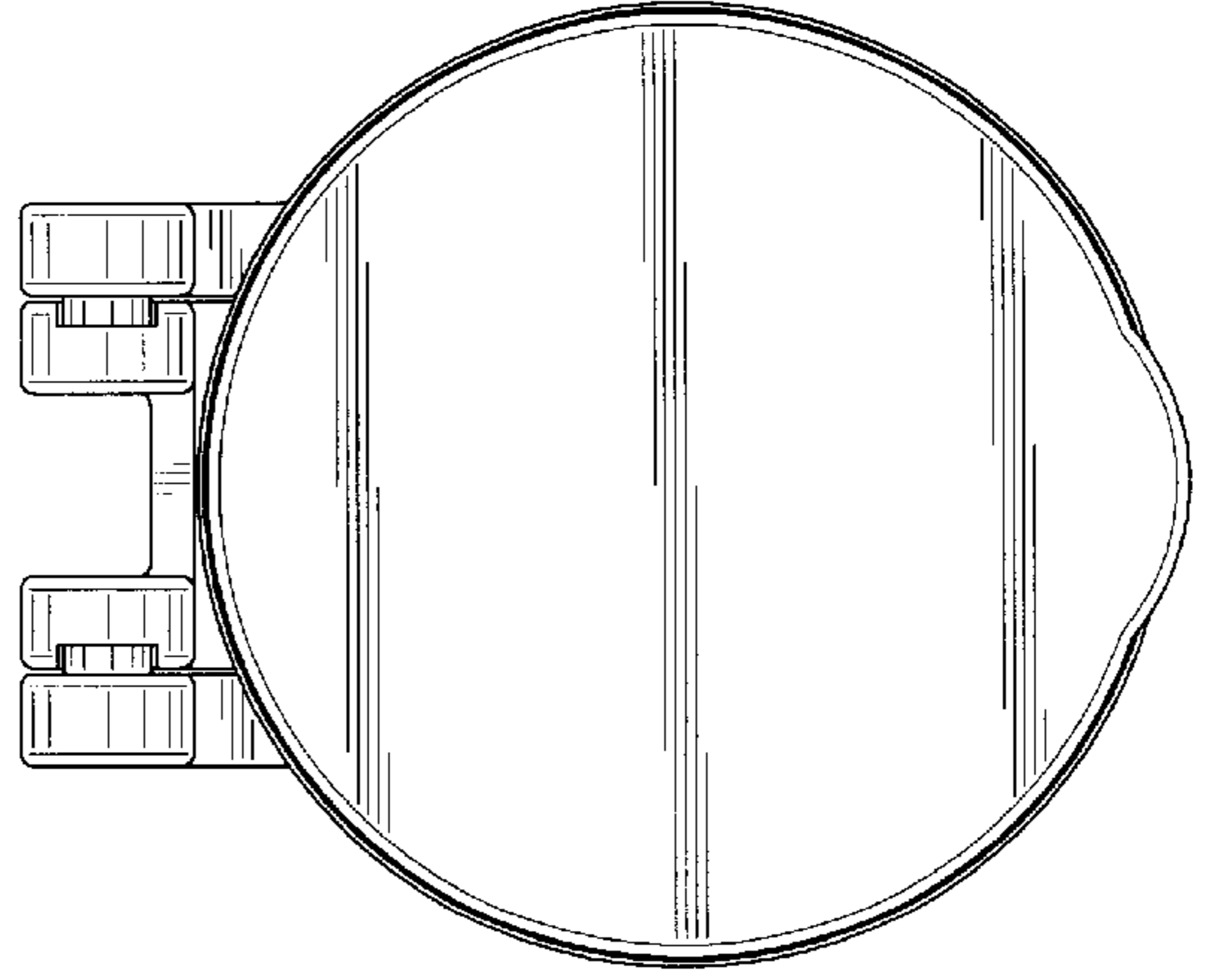
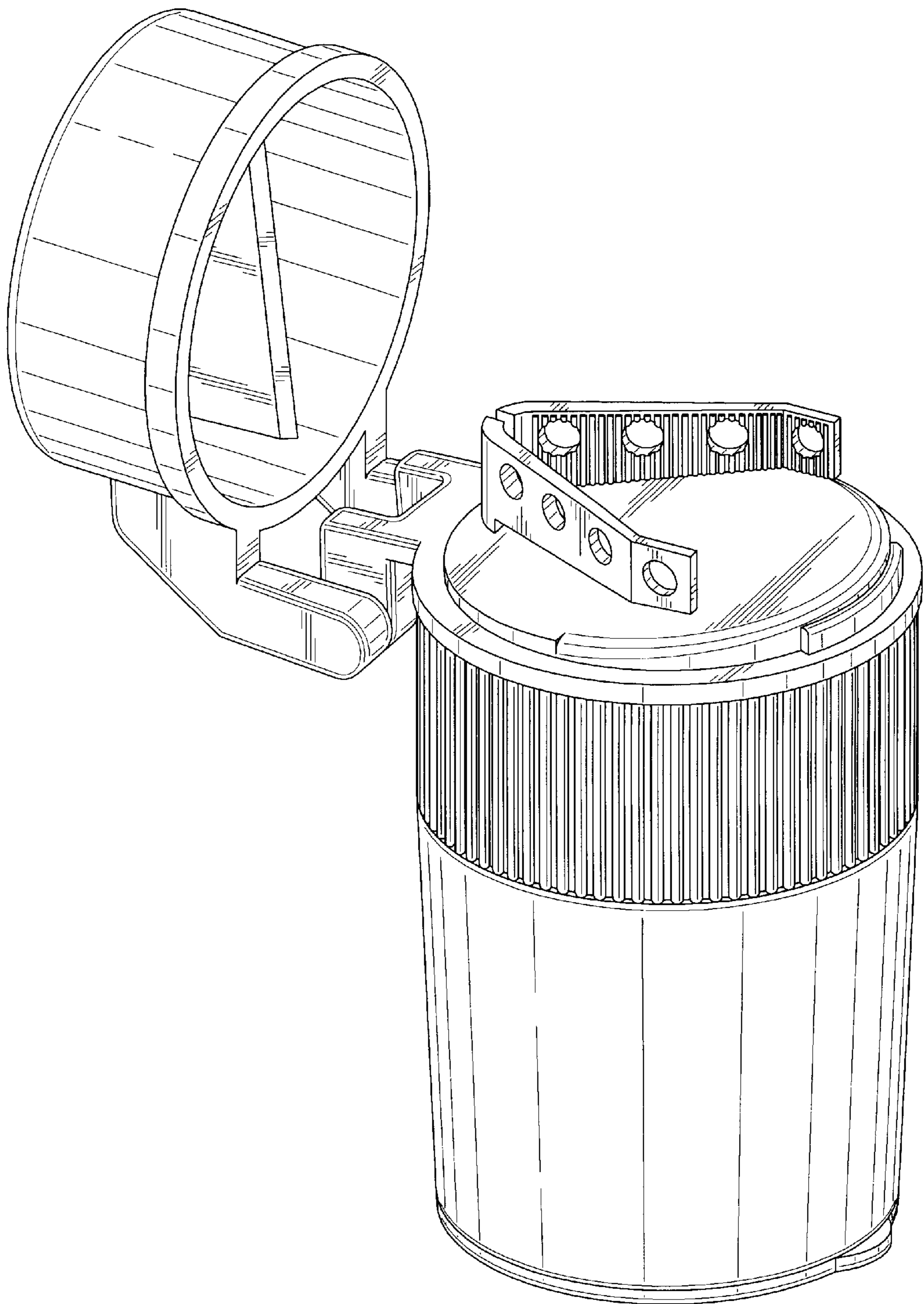


FIG. 7



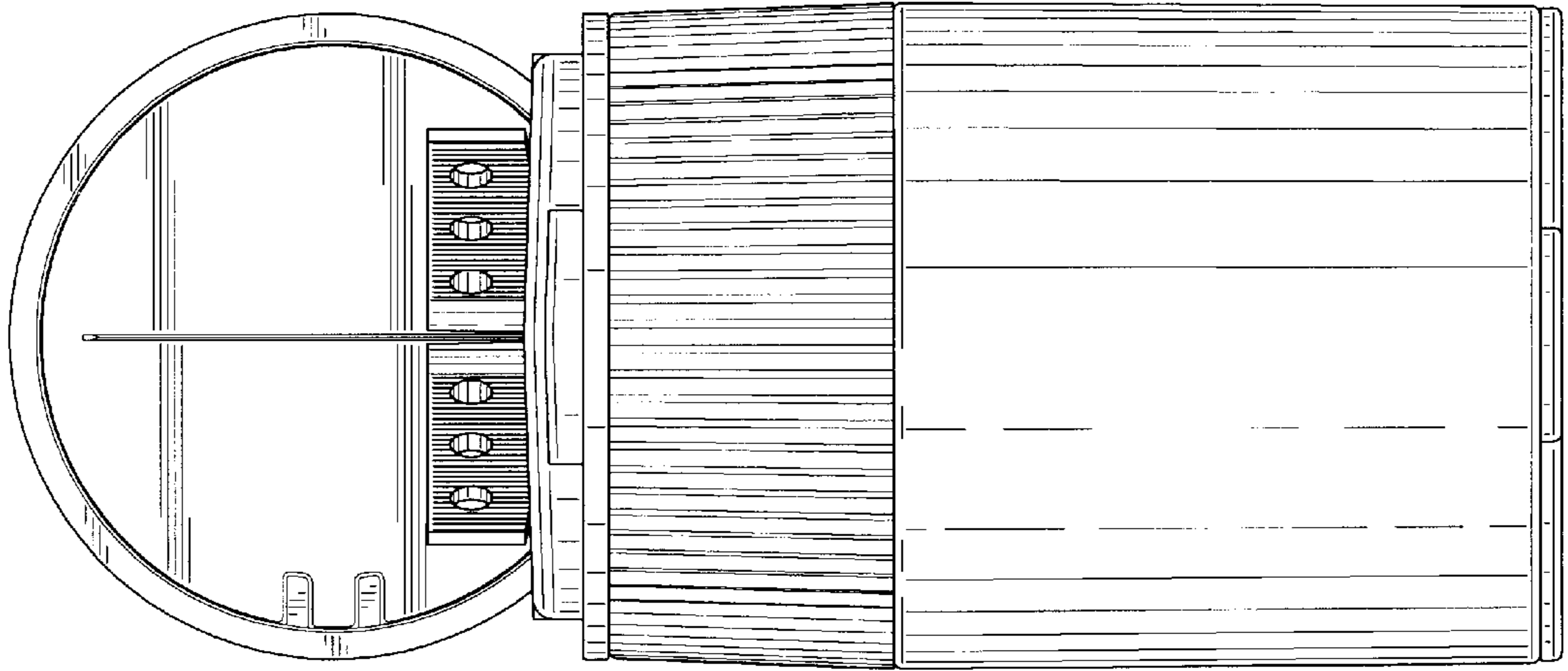


FIG. 9

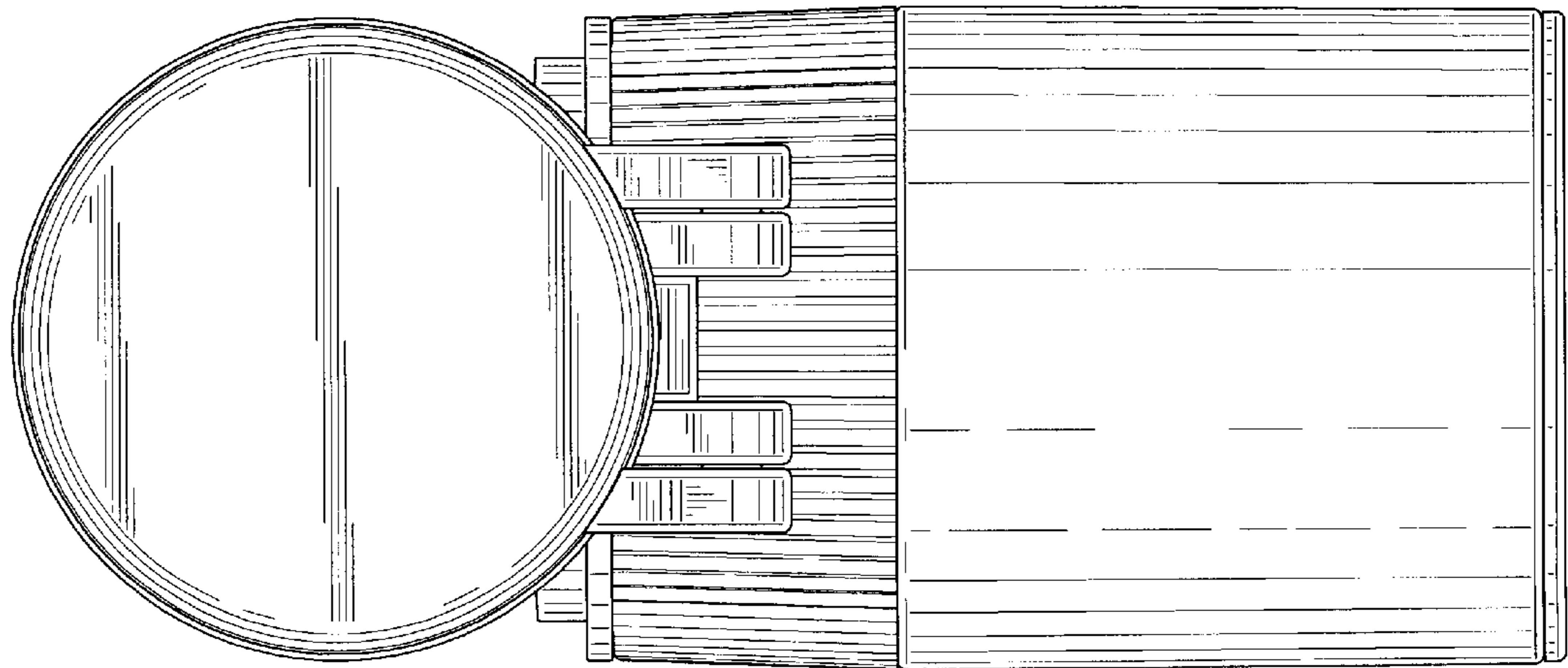


FIG. 8

FIG. 11

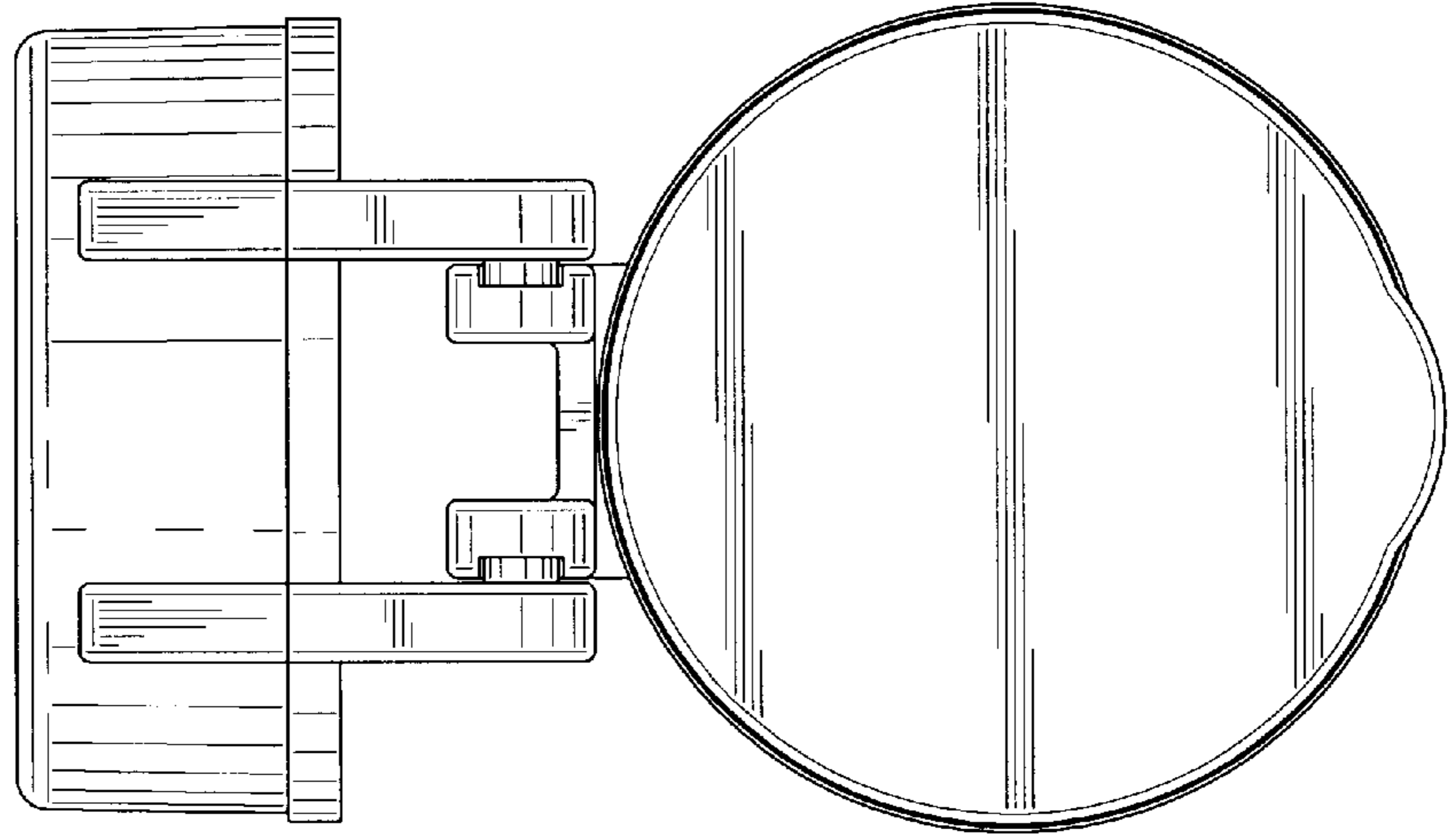
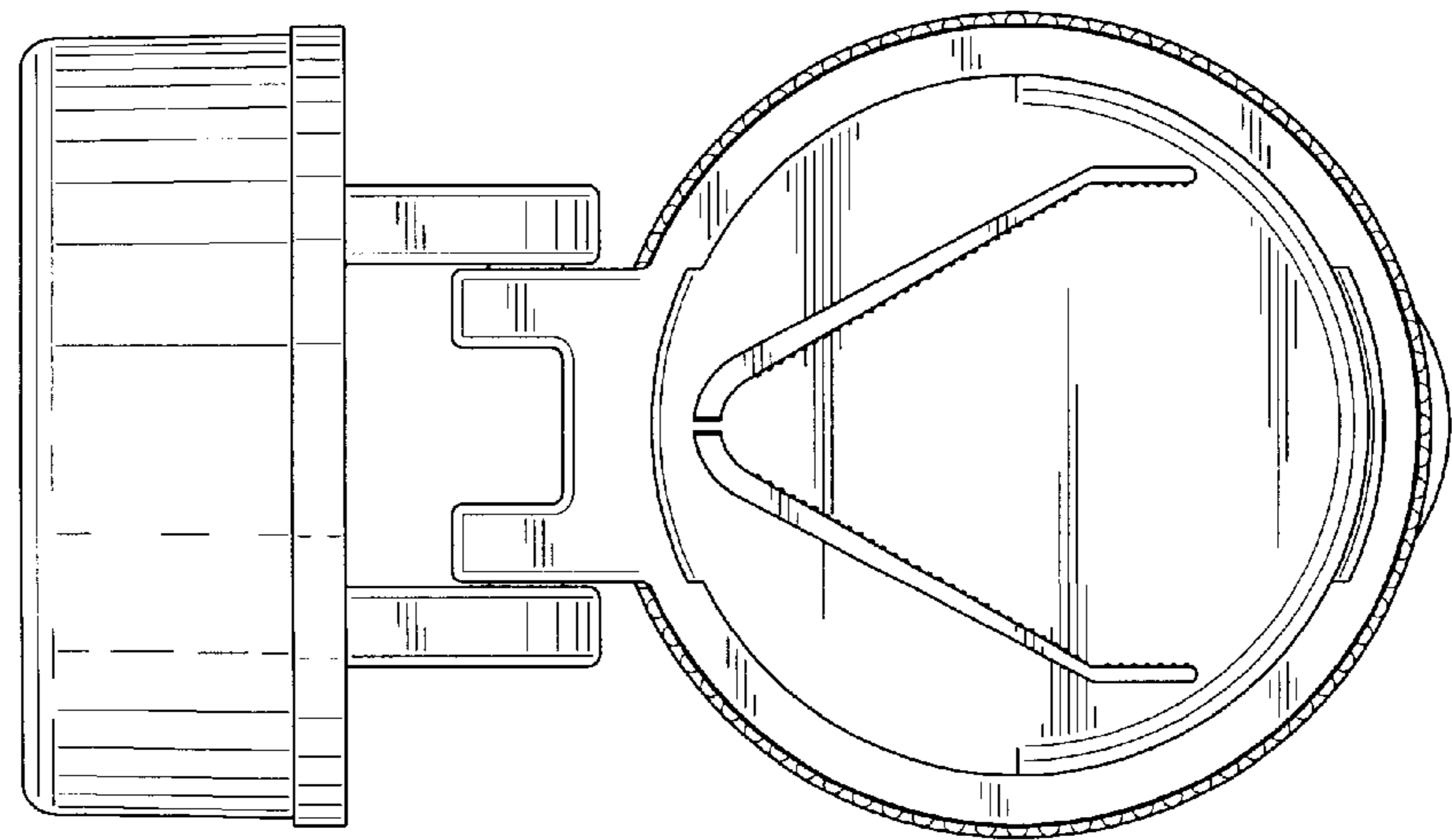


FIG. 10



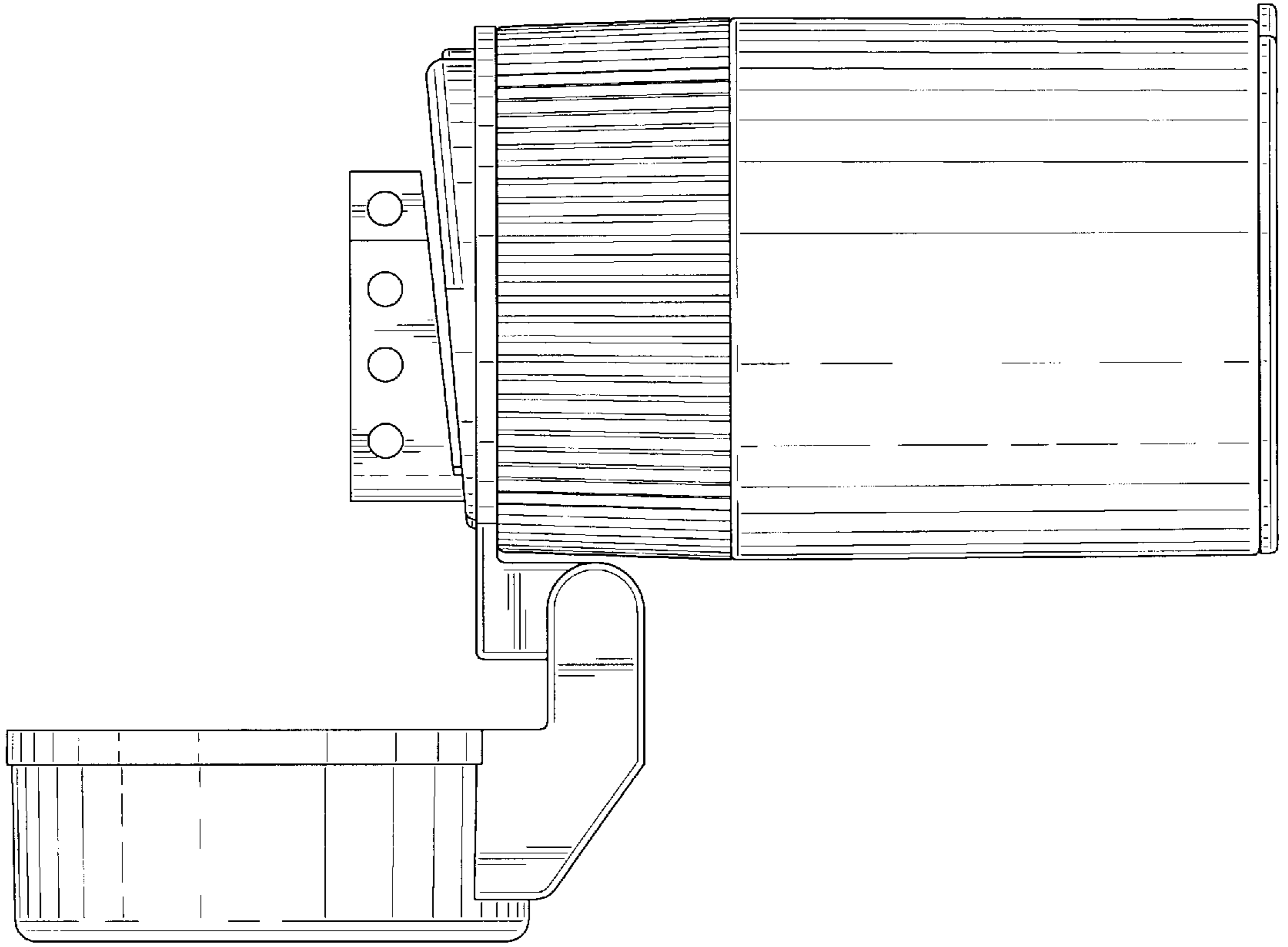


FIG. 12