



US00D419682S

# United States Patent [19] Lie

[11] Patent Number: **Des. 419,682**

[45] Date of Patent: **\*\* \*Jan. 25, 2000**

[54] **MASSAGER**

4,497,313 2/1985 Kurosawa ..... D24/213 X  
4,513,735 4/1985 Friedson et al. .... D24/213 X  
4,620,529 11/1986 Kurowsawa ..... 601/157 X

[75] Inventor: **Sen-Nen Lie**, Kowloon, The Hong Kong Special Administrative Region of the People's Republic of China

*Primary Examiner*—Stella Reid  
*Attorney, Agent, or Firm*—Blakely Sokoloff Taylor & Zafman

[73] Assignee: **Kolvin Industries Limited**, The Hong Kong Special Administrative Region of the People's Republic of China

### [57] CLAIM

[\*] Notice: This patent is subject to a terminal disclaimer.

The ornamental design for a massager, as shown and described.

[\*\*] Term: **14 Years**

### DESCRIPTION

[21] Appl. No.: **29/017,714**

FIG. 1 is a top view of the massager of the present invention;

[22] Filed: **Jan. 19, 1994**

FIG. 2 is a bottom view thereof;

[51] **LOC (7) Cl.** ..... **28-03**

FIG. 3 is a front view thereof;

[52] **U.S. Cl.** ..... **D24/213**

FIG. 4 is a rear view thereof;

[58] **Field of Search** ..... D24/213, 200;

FIG. 5 is a left side elevational view thereof; and,

601/154, 156, 157

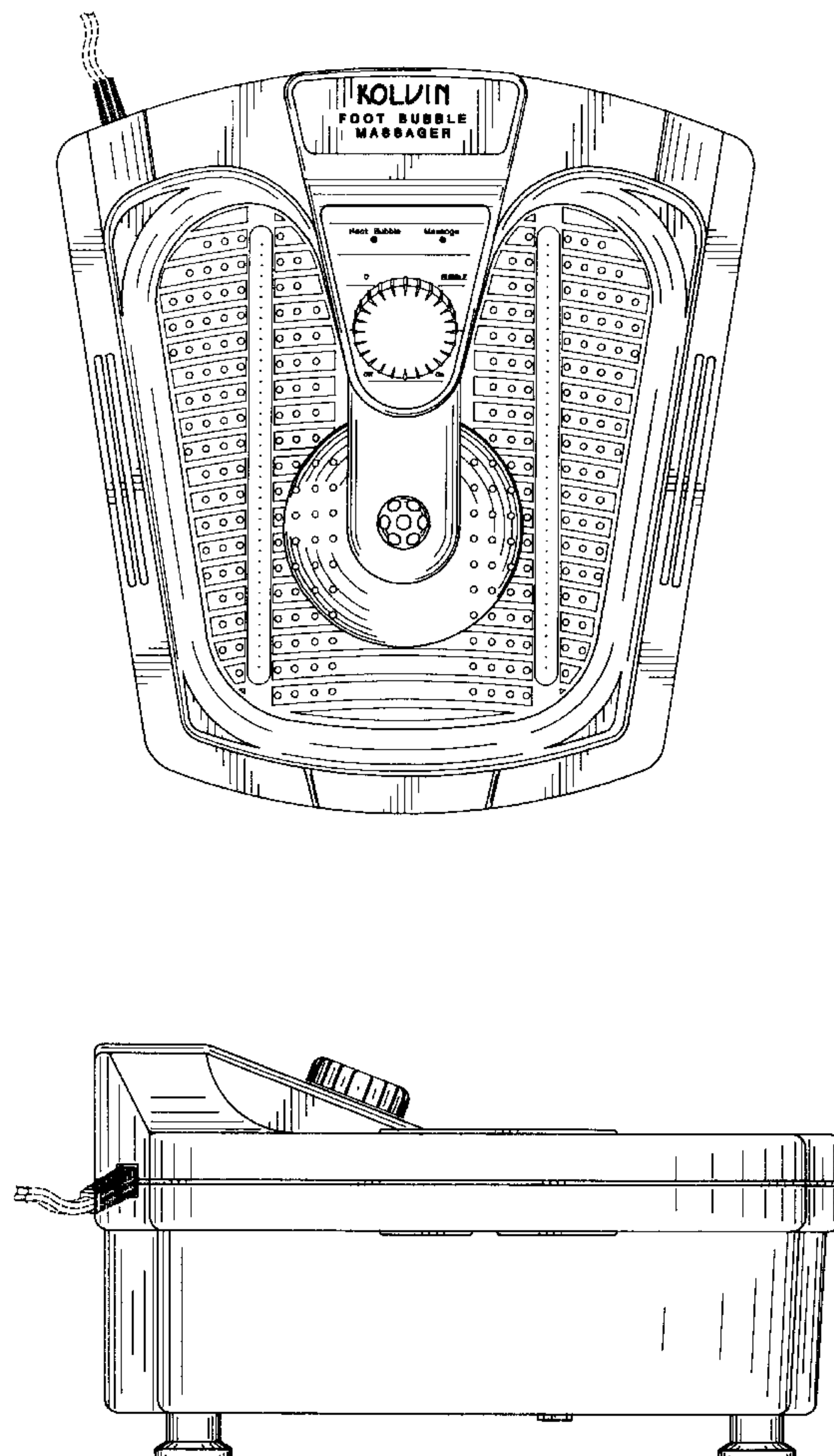
FIG. 6 is a right side elevational view thereof.

### [56] References Cited

#### U.S. PATENT DOCUMENTS

4,184,488 1/1980 Bielich ..... 601/157

**1 Claim, 3 Drawing Sheets**



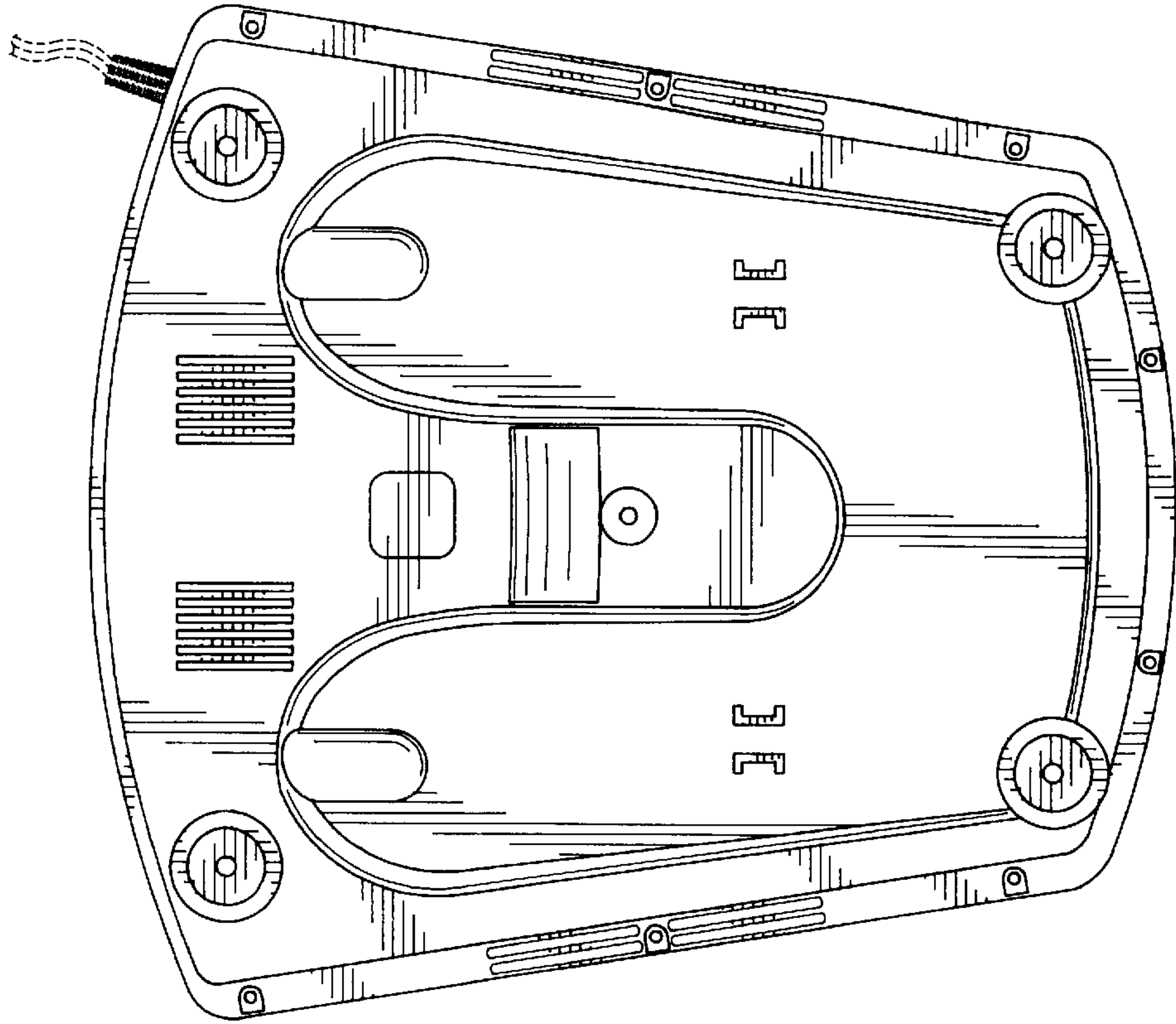


FIG. 2

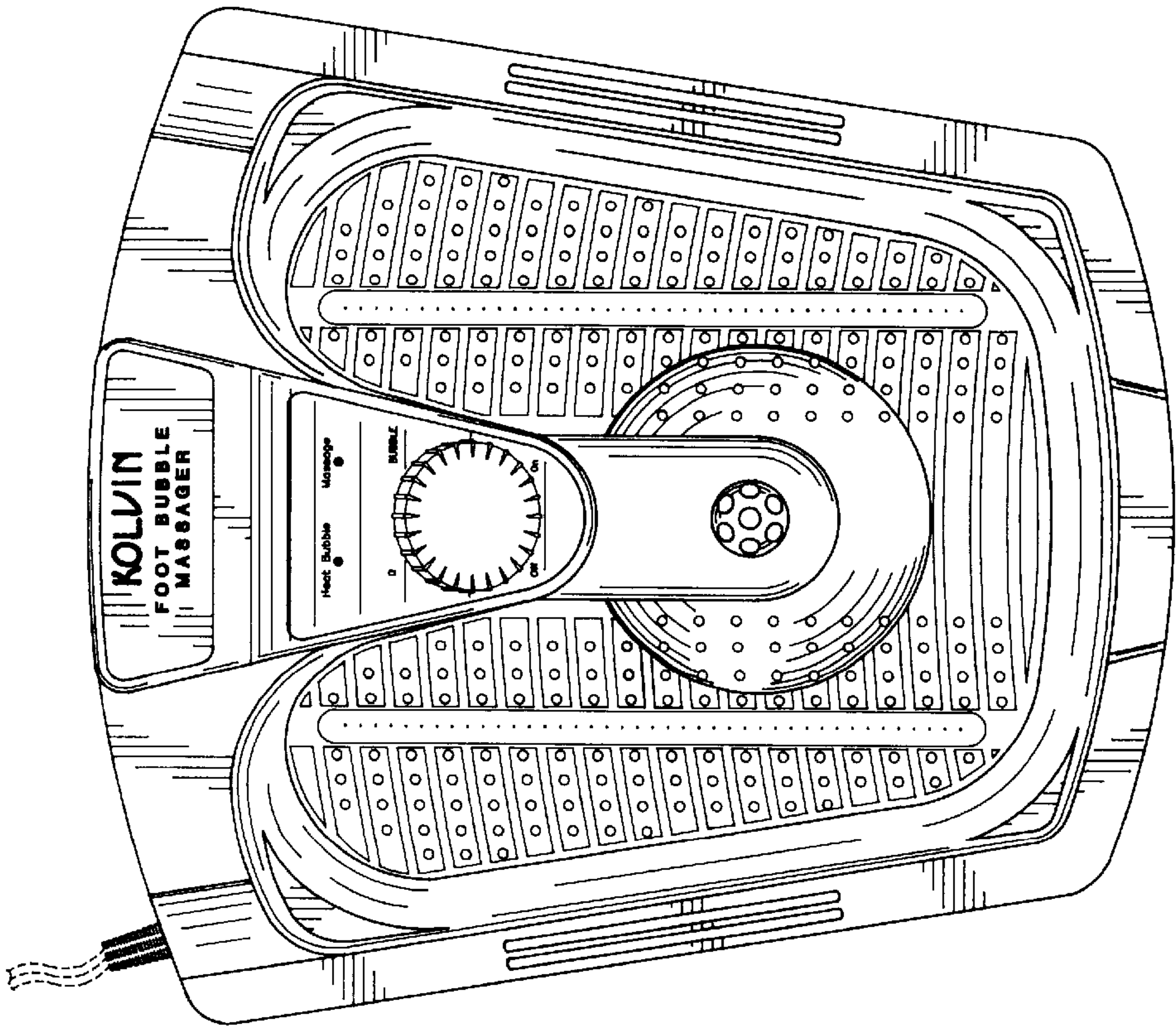


FIG. 1

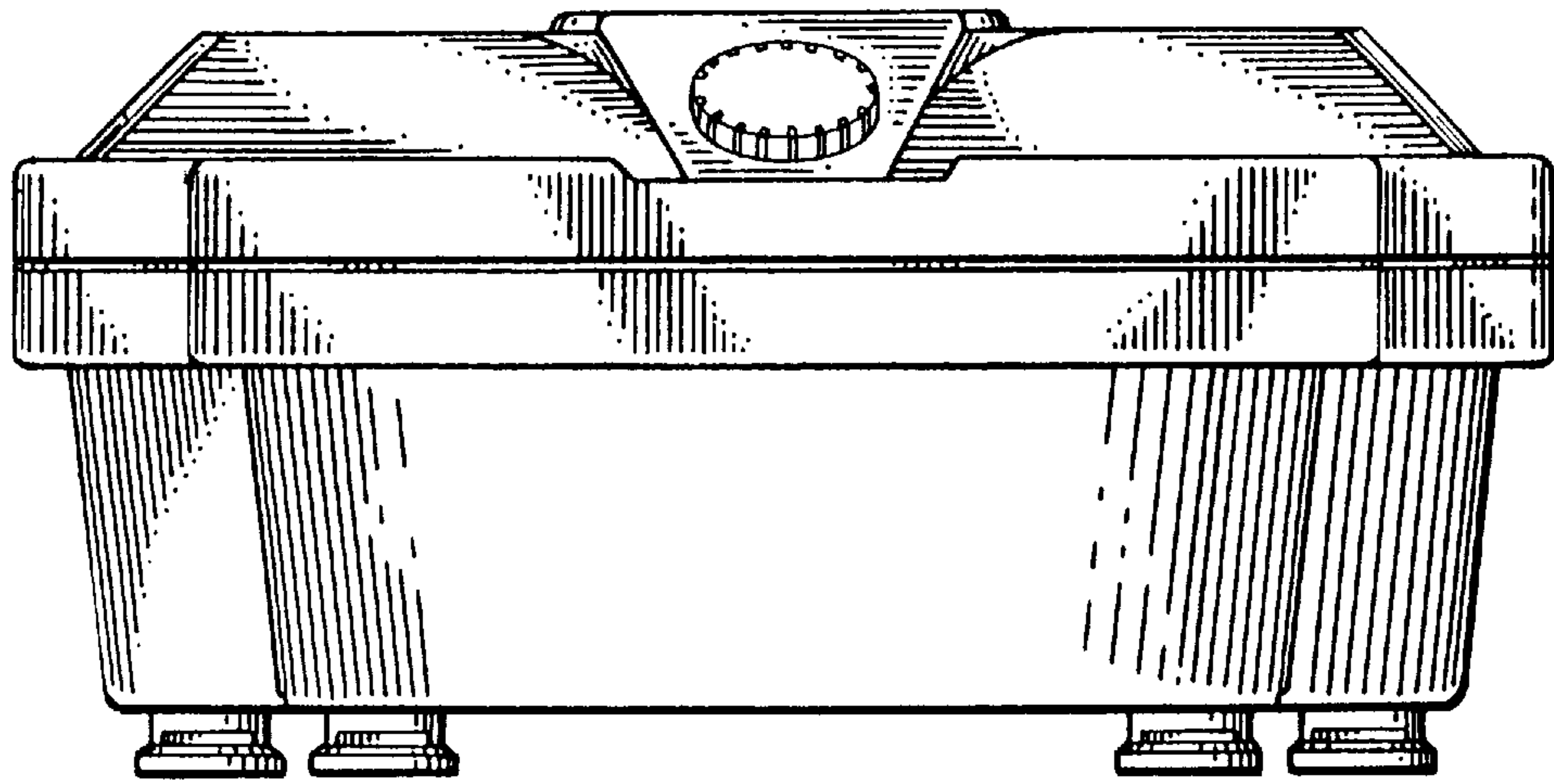


FIG. 3

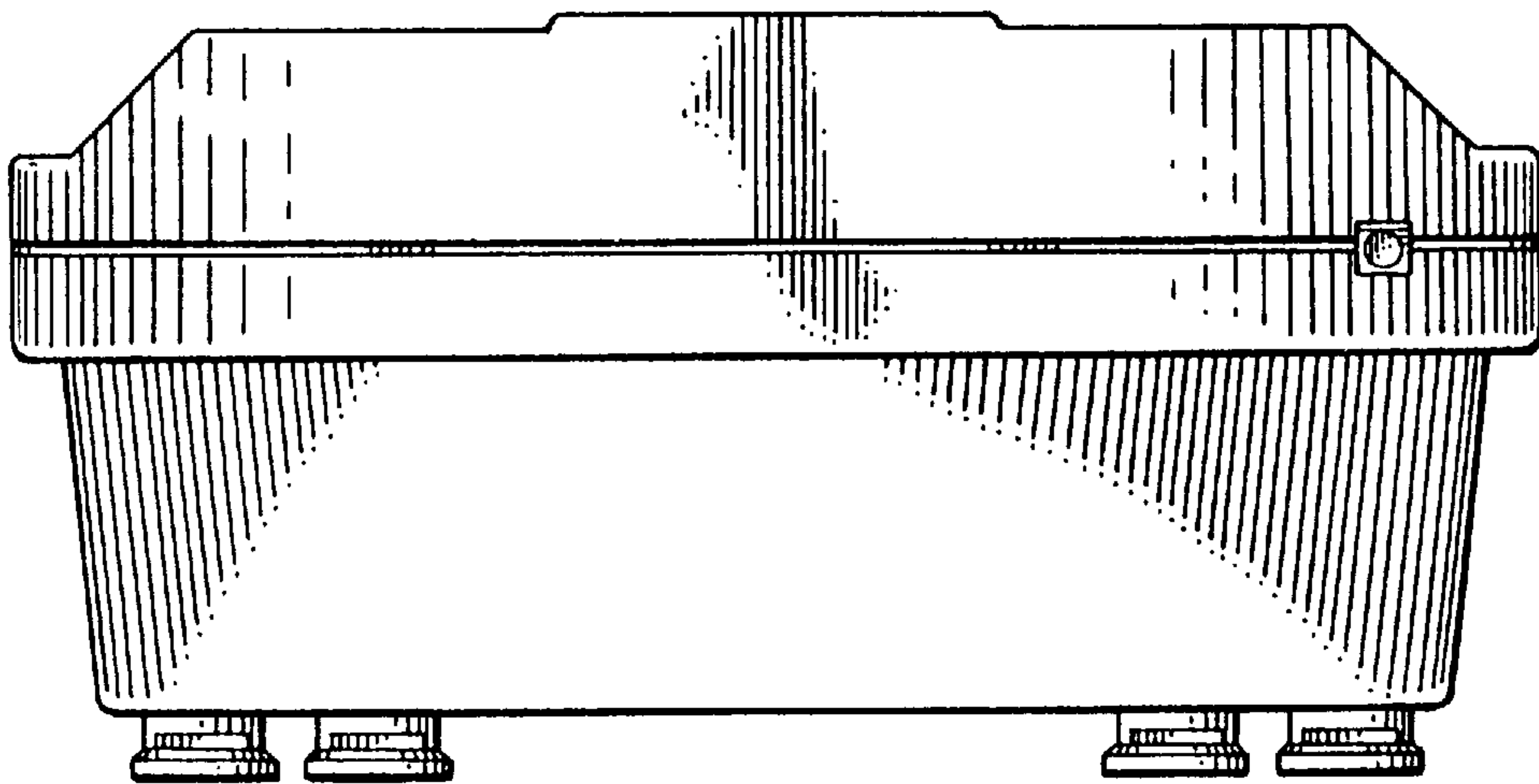


FIG. 4

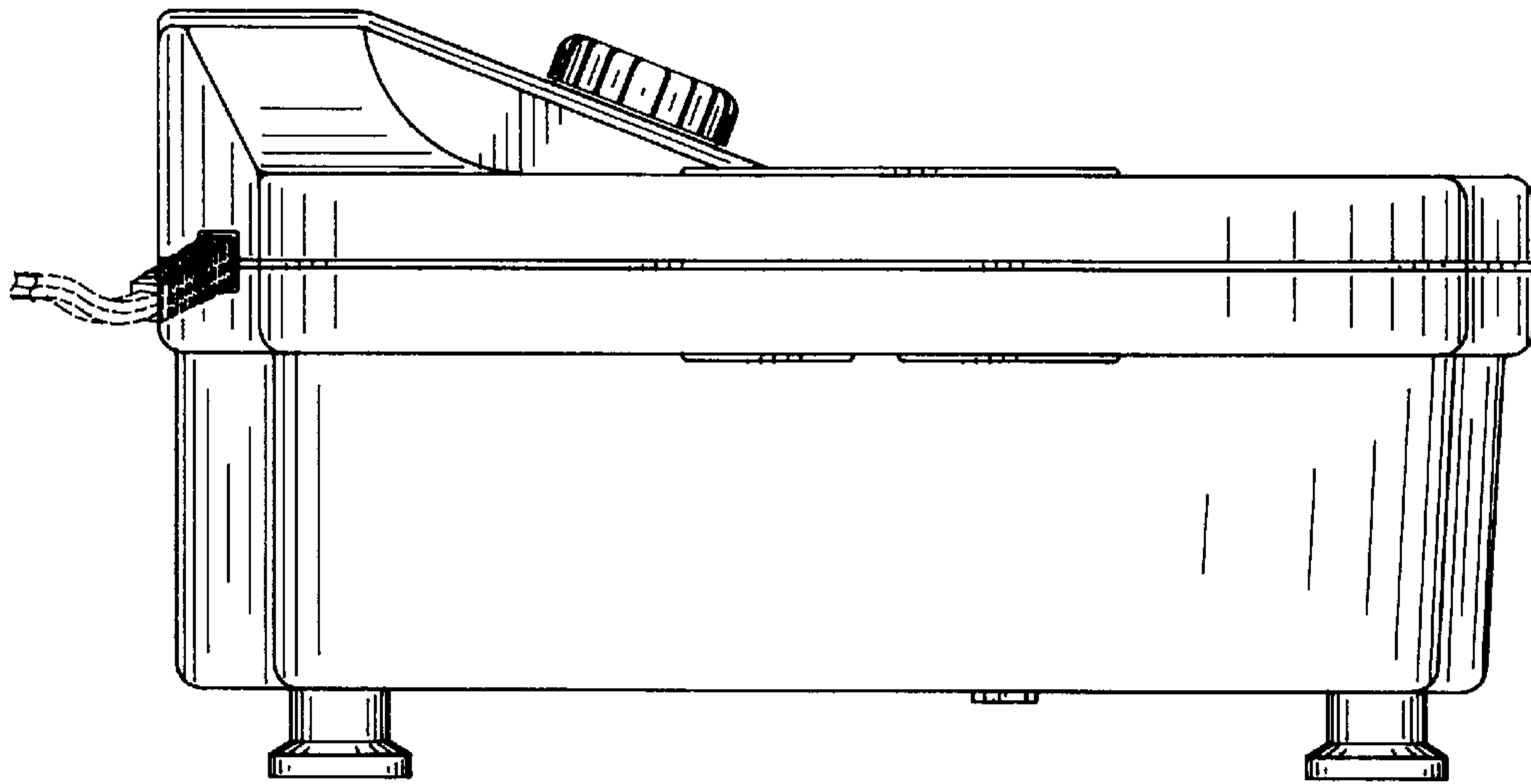


FIG. 5

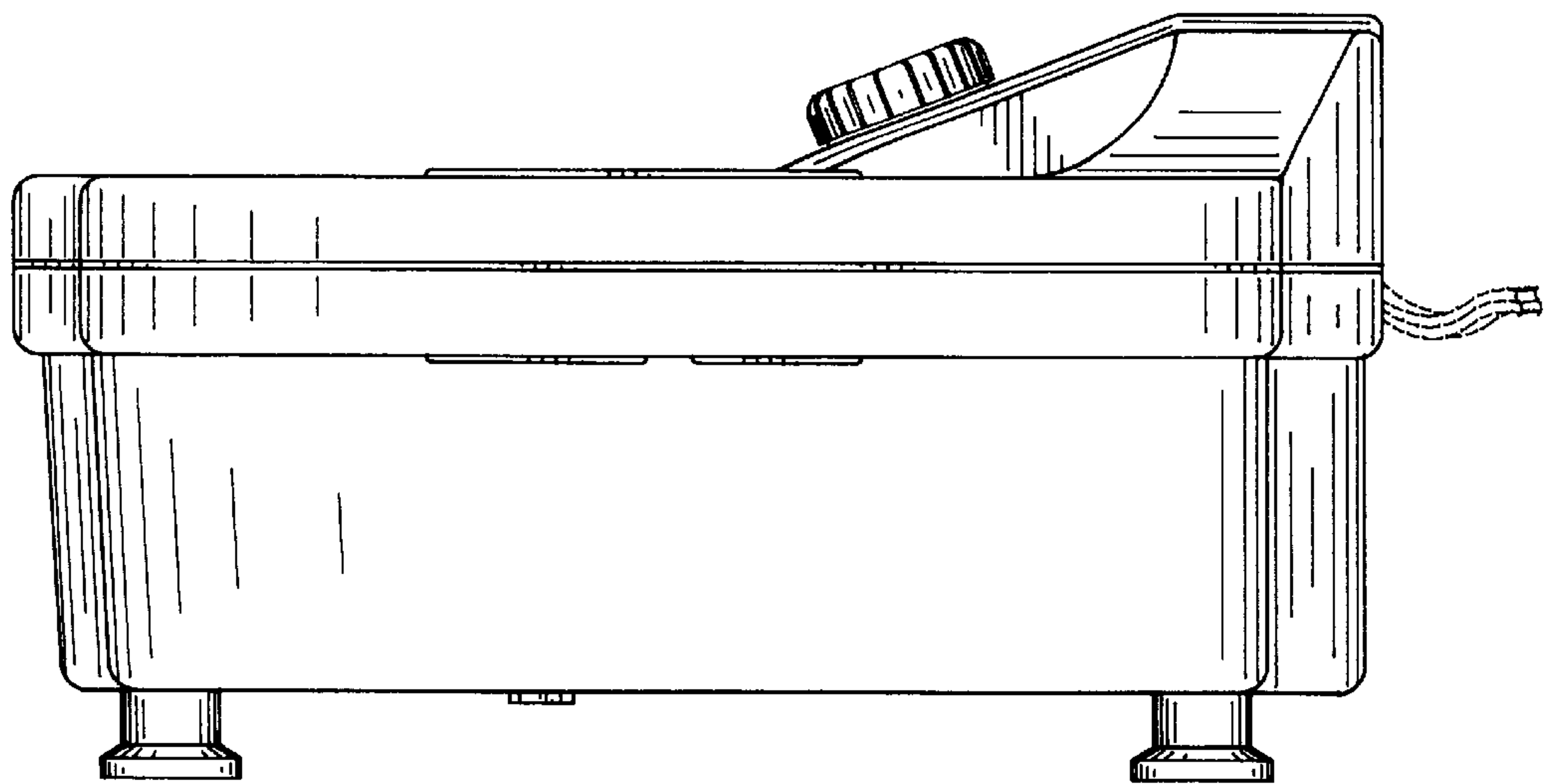


FIG. 6



UNITED STATES PATENT AND TRADEMARK OFFICE  
CERTIFICATE OF CORRECTION

PATENT NO. : D.419,682

Page 1 of 2

DATED : January 25, 2000

INVENTOR(S) : Lie

It is certified that error appears in the above-identified patent and that said Letters Patent is hereby corrected as shown below:

Please replace FIG. 3 with the attached formal drawing marked FIG. 3.

Please replace FIG. 4 with the attached formal drawing marked FIG. 4.

Signed and Sealed this  
Twenty-fourth Day of April, 2001

Attest:



NICHOLAS P. GODICI

Attesting Officer

Acting Director of the United States Patent and Trademark Office

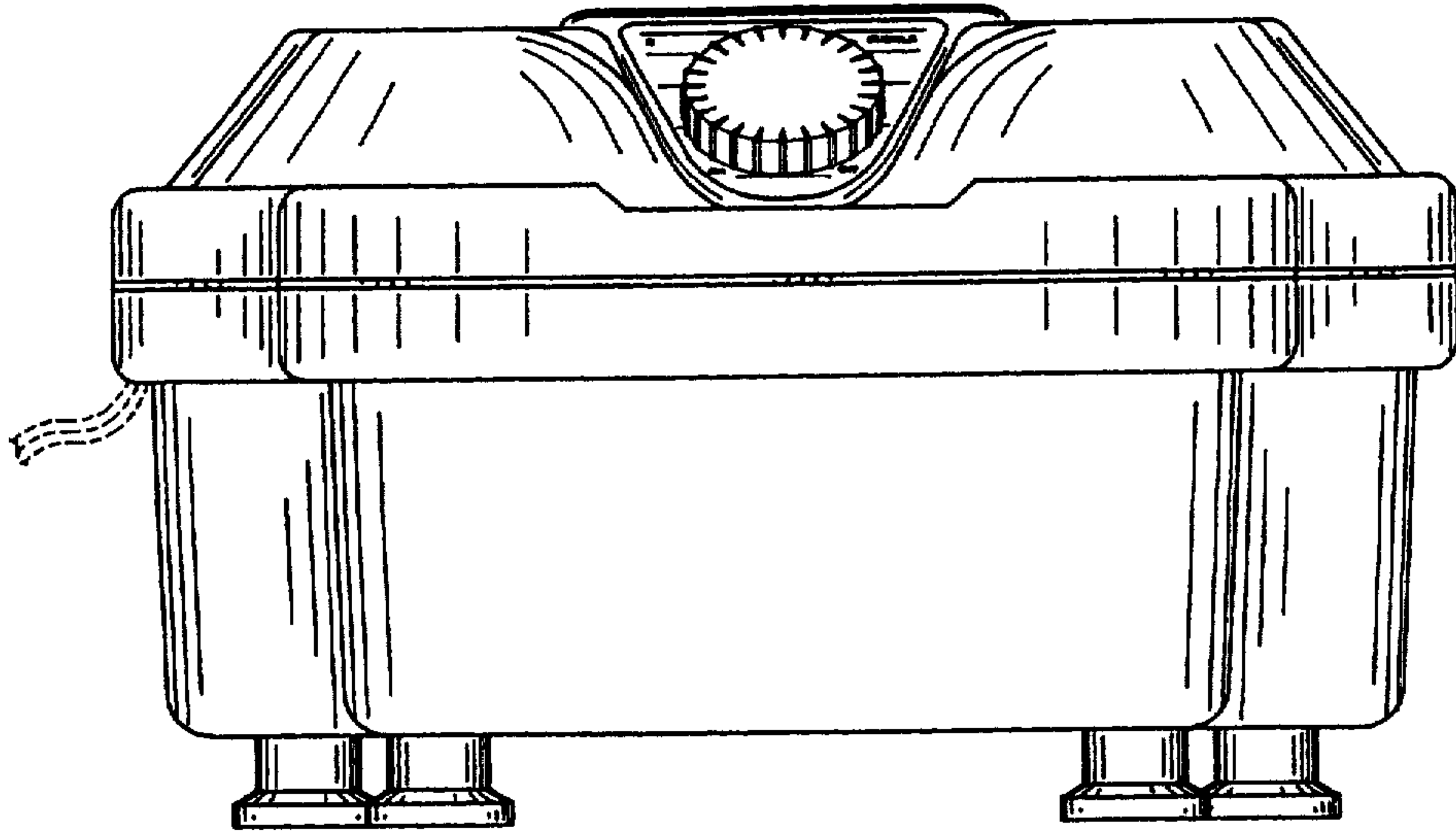


FIG. 3

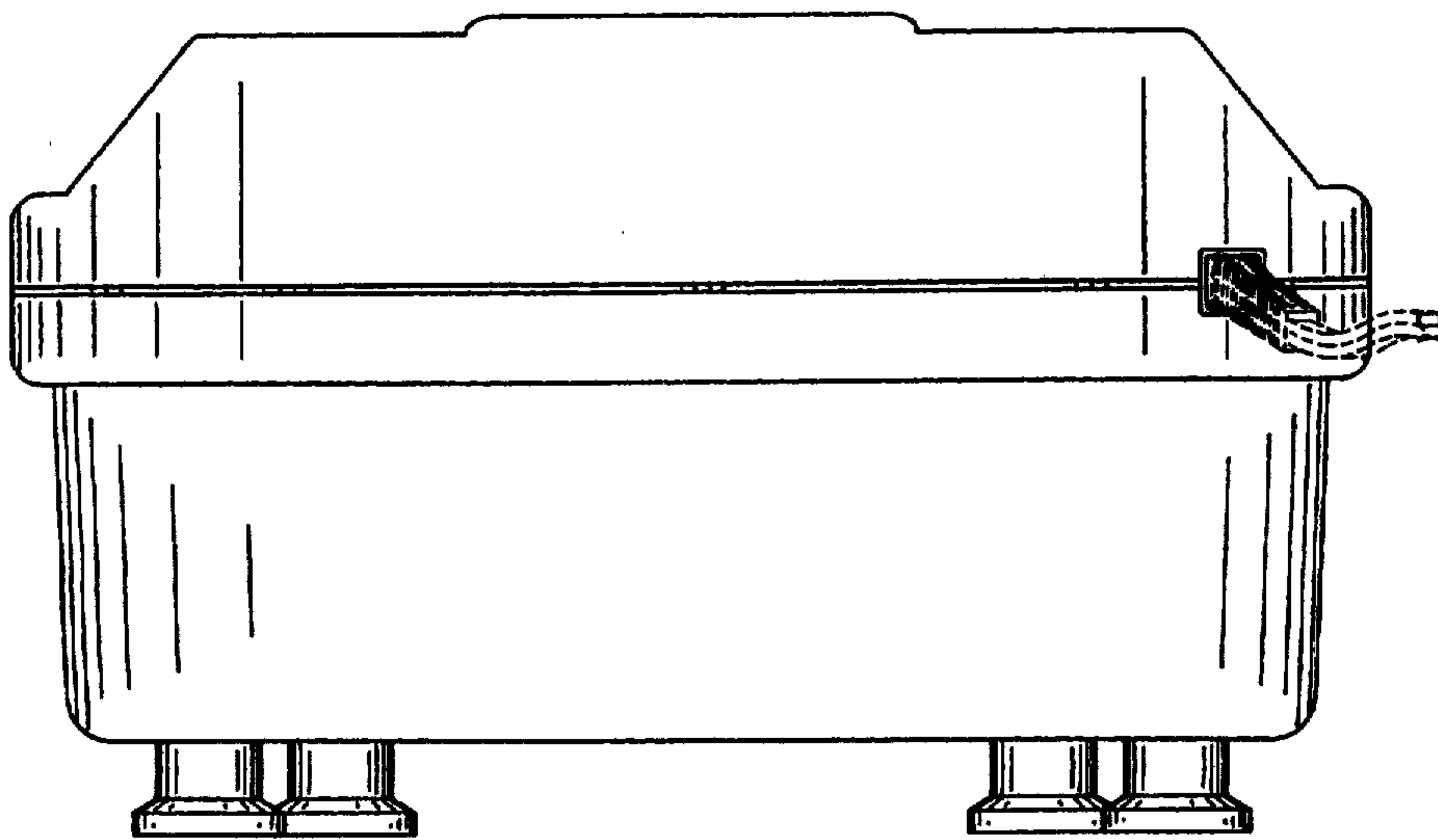


FIG. 4