



US00D419676S

**United States Patent** [19]  
**Garcia**

[11] **Patent Number: Des. 419,676**  
[45] **Date of Patent: \*\* Jan. 25, 2000**

[54] **EAR TIP FOR USE IN HEARING TESTING**

4,781,196 11/1988 Killion ..... 128/642  
5,105,822 4/1992 Stevens et al. .... 128/746  
5,664,577 9/1997 Lonsbury-Martin et al. .... 128/746

[75] Inventor: **William D. Garcia**, Milford, N.H.

[73] Assignee: **Grason-Stadler, Inc.**, Milford, N.H.

[\*\*] Term: **14 Years**

*Primary Examiner*—Stella Reid  
*Attorney, Agent, or Firm*—Wall Marjama Bilinski & Burr

[21] Appl. No.: **29/096,276**

[22] Filed: **Nov. 9, 1998**

[57] **CLAIM**

The ornamental design for an ear tip for use in hearing testing, as shown and described.

[51] **LOC (7) Cl.** ..... **24-04**

[52] **U.S. Cl.** ..... **D24/173**

[58] **Field of Search** ..... D24/173; 128/746;  
73/585, 586, 587, 801; 600/559

**DESCRIPTION**

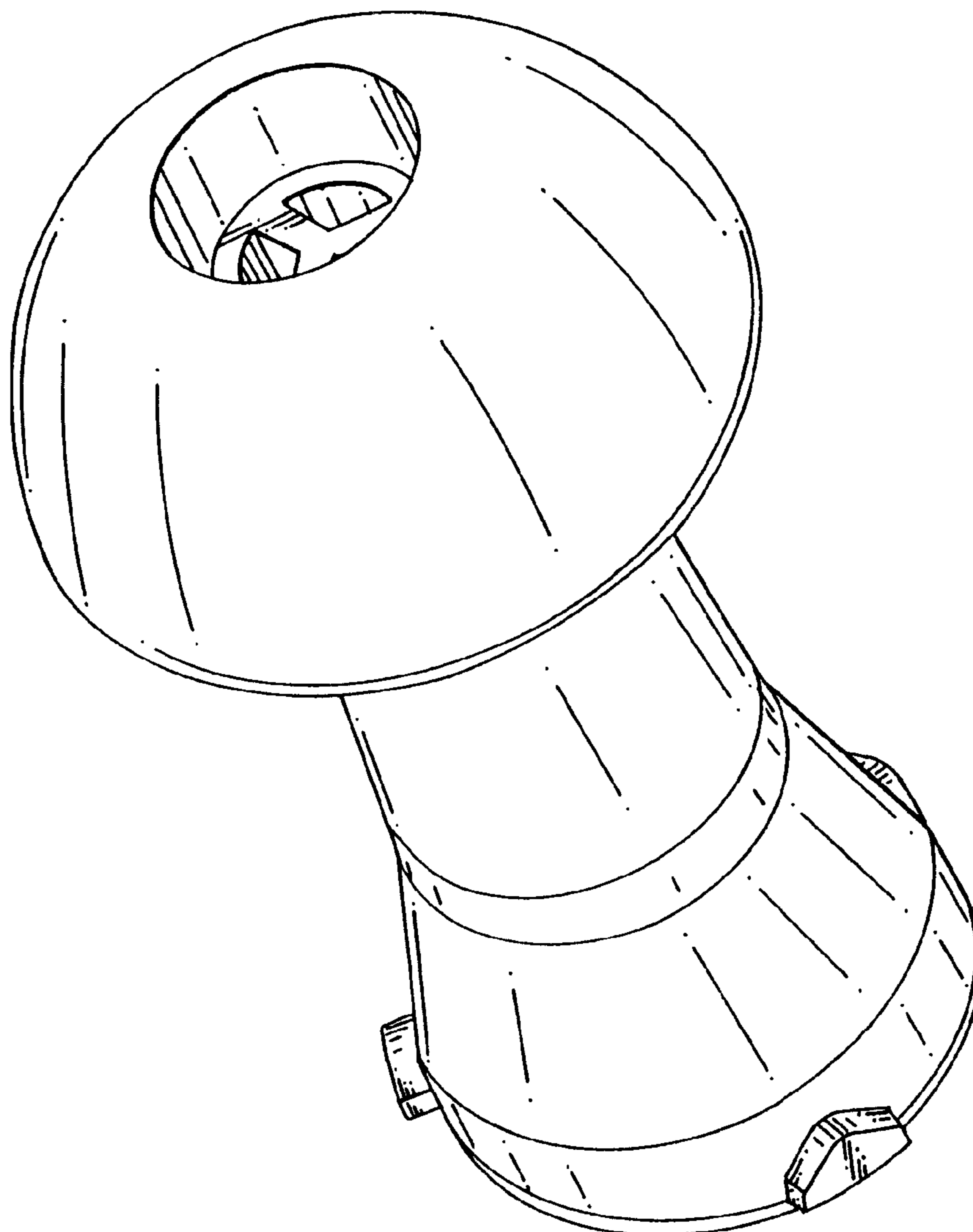
FIG. 1 is a front perspective view of an ear tip for use in hearing testing, showing my new design;  
FIG. 2 is a rear perspective view thereof;  
FIG. 3 is a side elevational view thereof, the opposite side being identical thereto;  
FIG. 4 is a rear view thereof; and,  
FIG. 5 is a front view of FIG. 1.

[56] **References Cited**

**U.S. PATENT DOCUMENTS**

4,057,051 11/1977 Kerouac ..... 600/559  
4,374,526 2/1983 Kemp ..... 600/559  
4,615,007 9/1986 King et al. .... 128/746

**1 Claim, 2 Drawing Sheets**



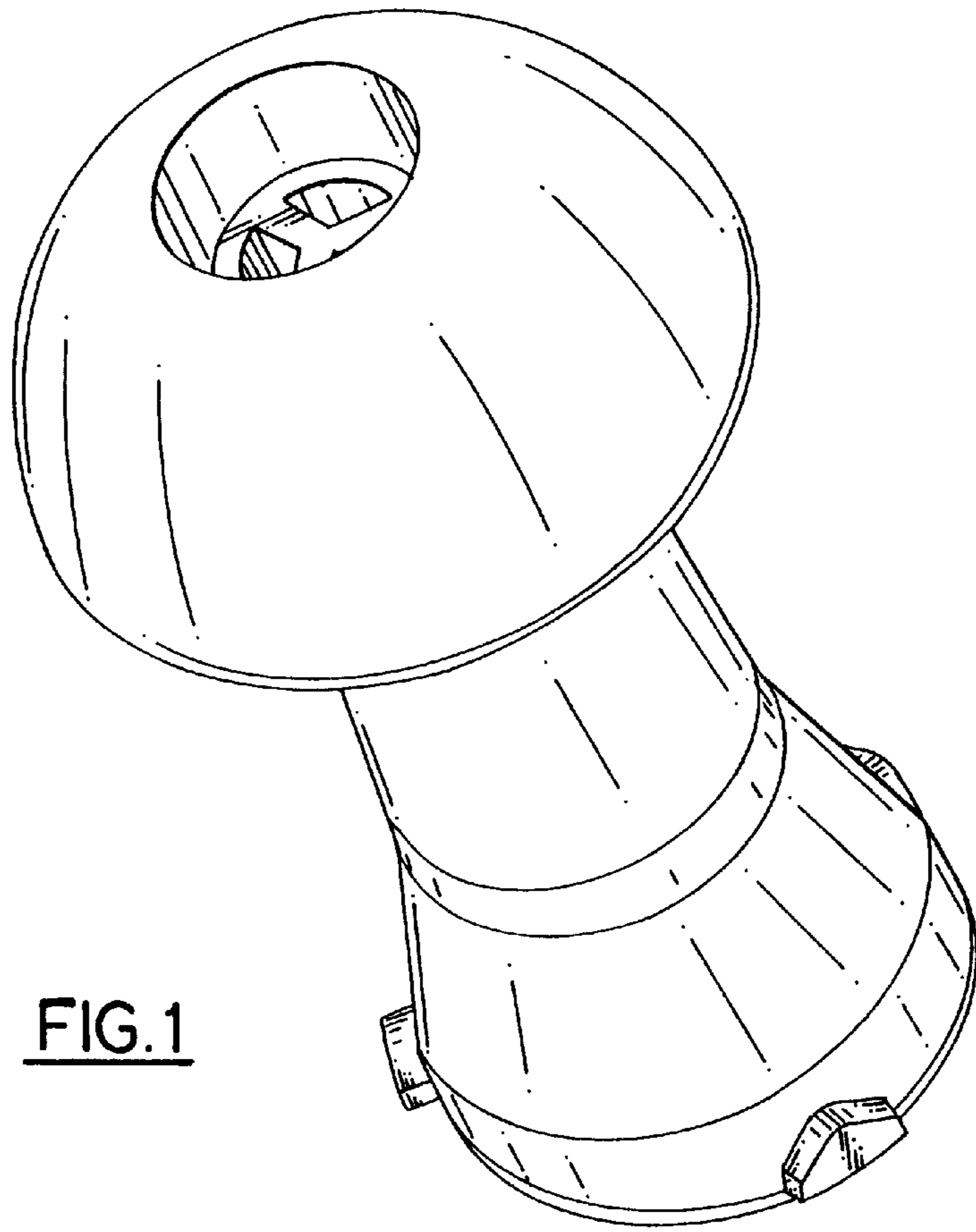


FIG. 1

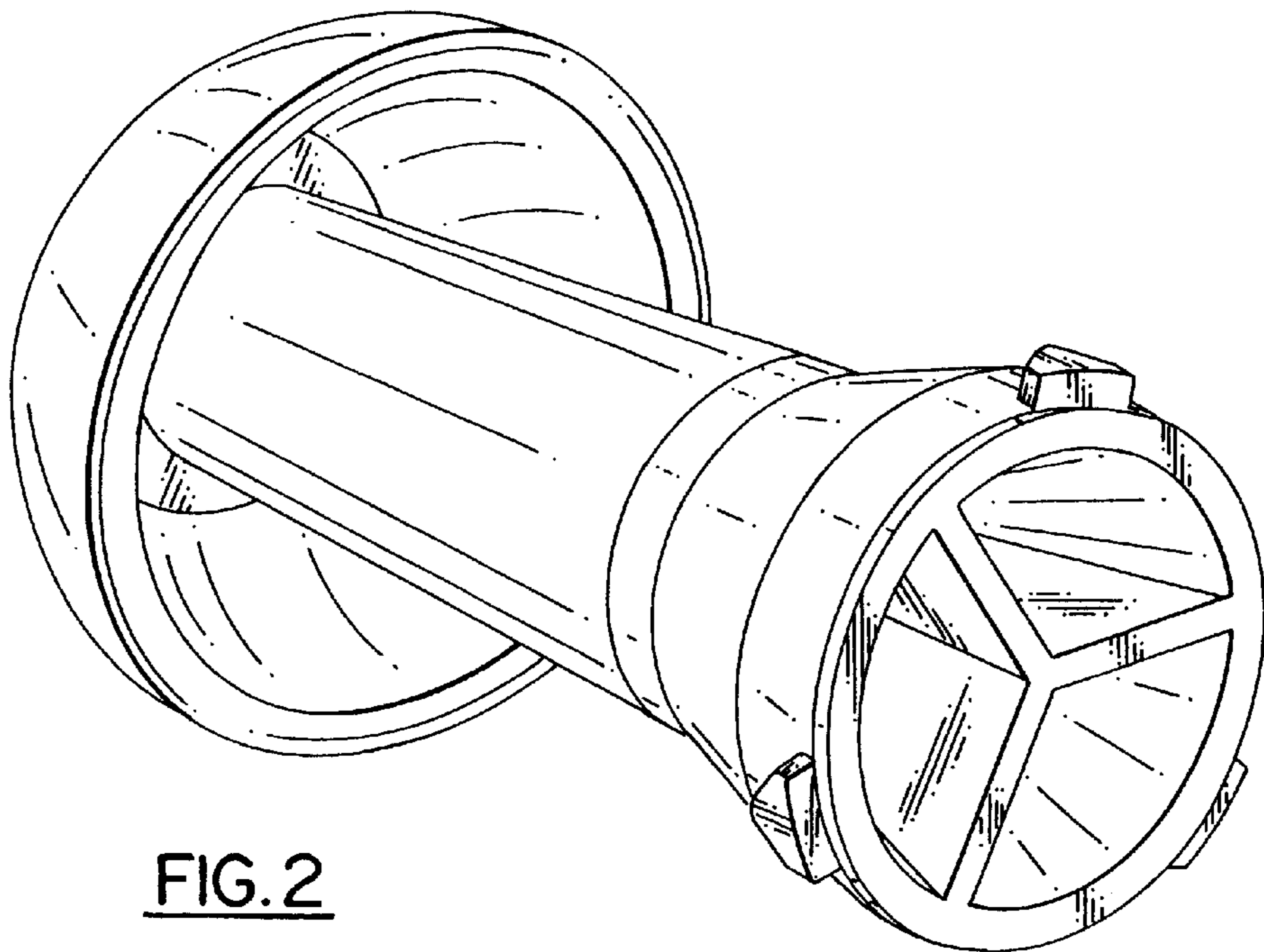


FIG. 2

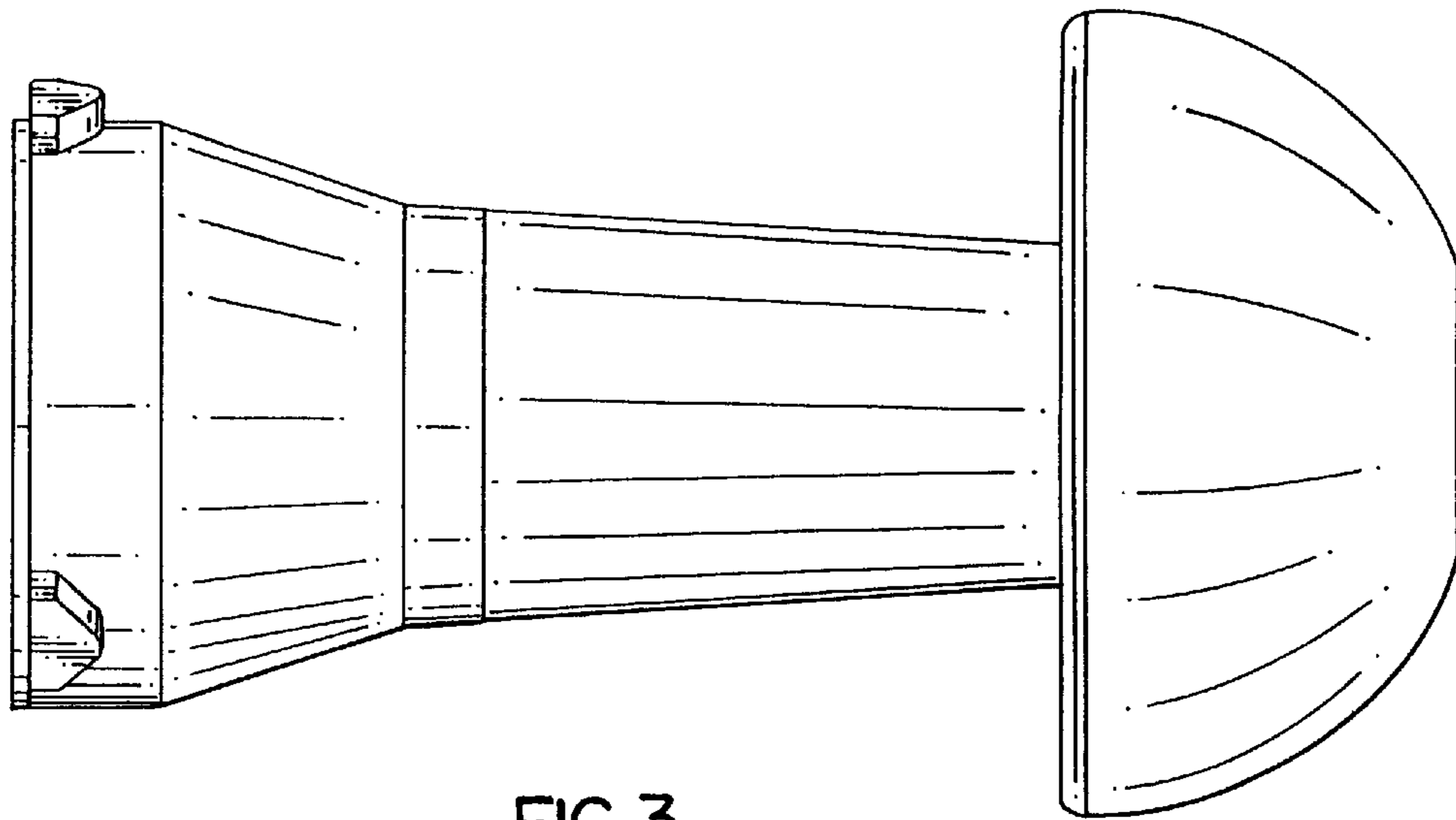


FIG. 3

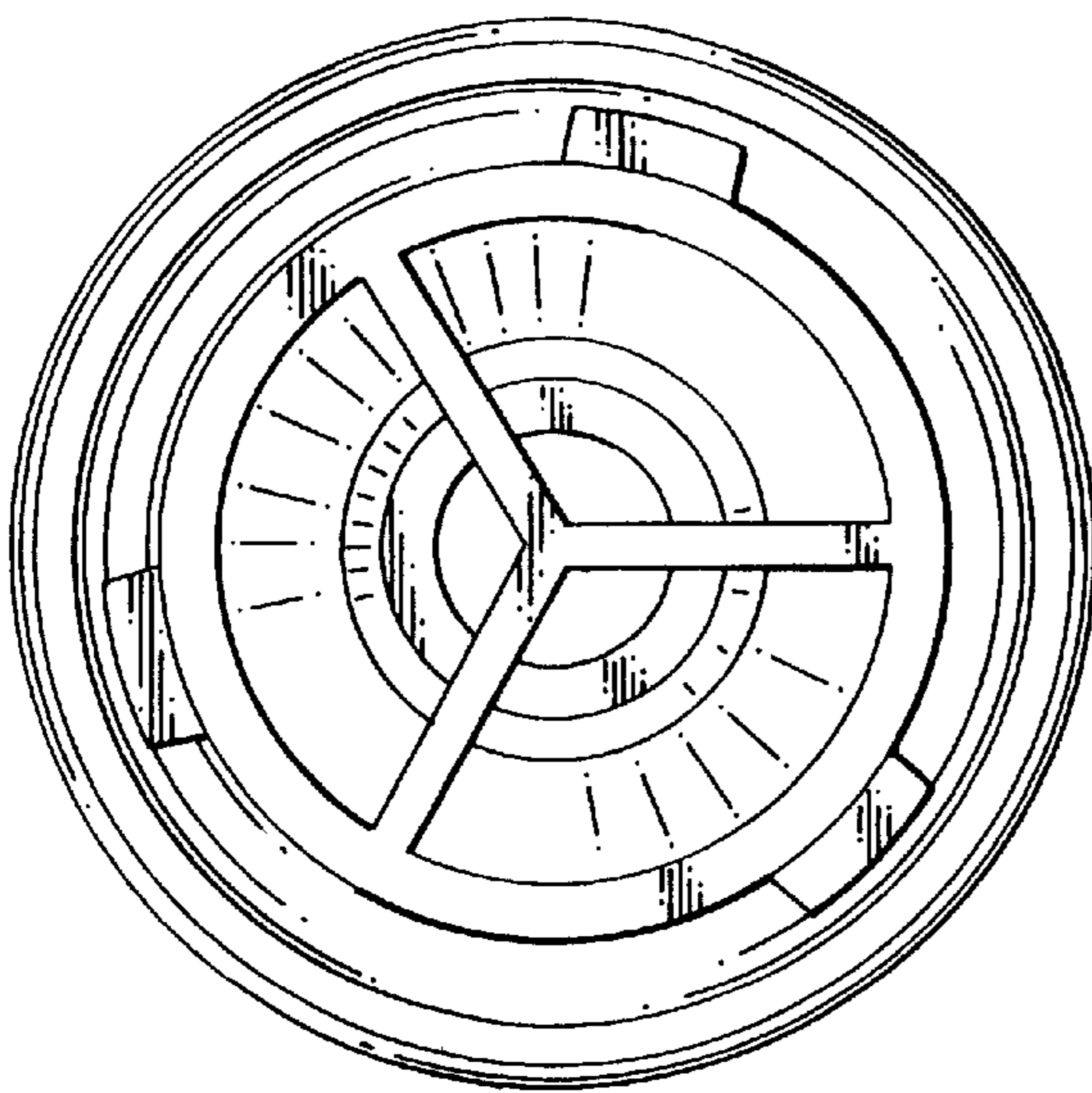


FIG. 4

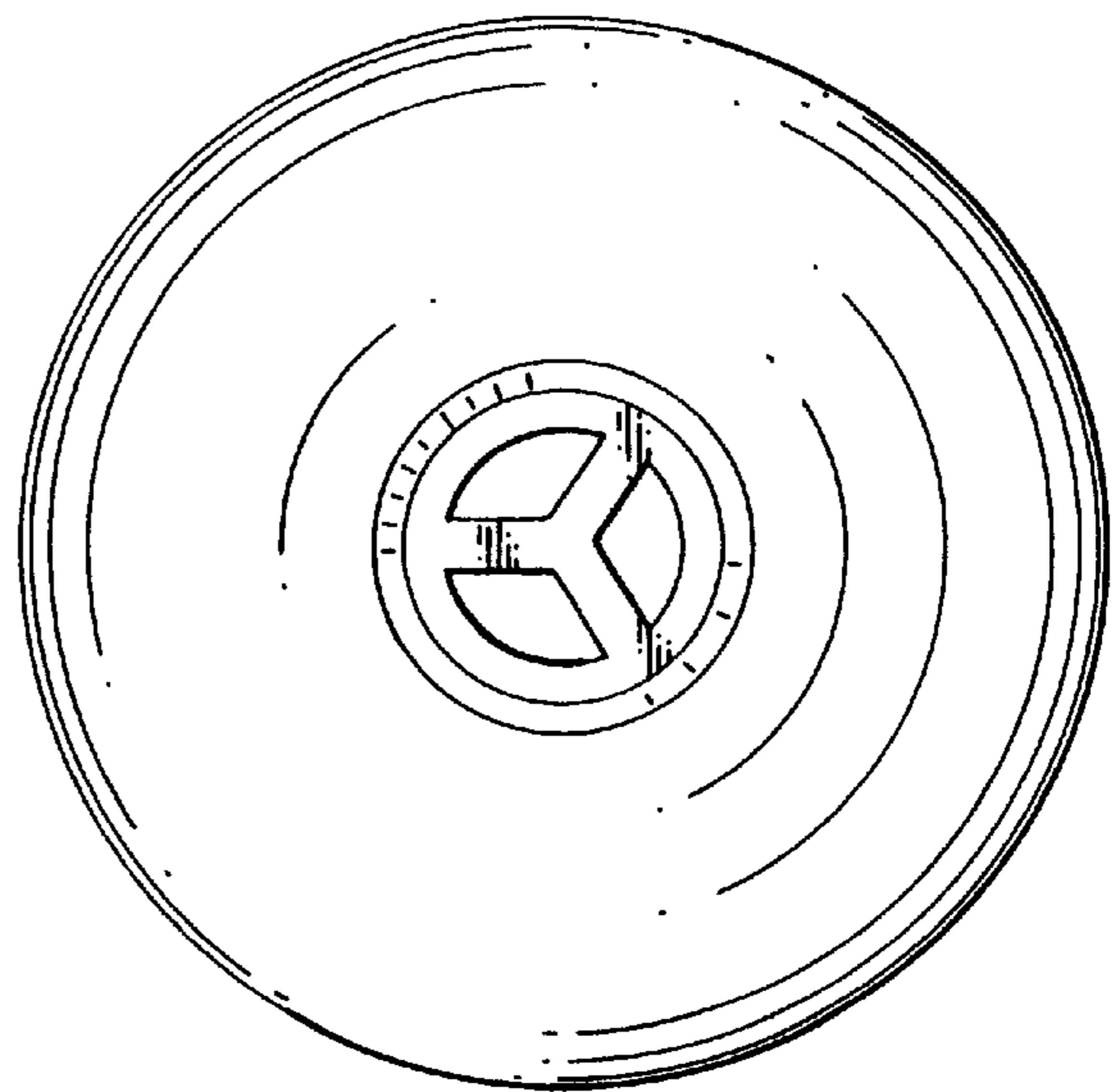


FIG. 5