



US00D419675S

United States Patent [19] Garcia

[11] **Patent Number: Des. 419,675**
[45] **Date of Patent: ** Jan. 25, 2000**

[54] **EAR TIP FOR USE IN HEARING TESTING**

4,781,196 11/1988 Killion 128/642
5,105,822 4/1992 Stevens et al. 128/746
5,664,577 9/1997 Lonsbury-Martin et al. 128/746

[75] Inventor: **William D. Garcia**, Milford, N.H.

[73] Assignee: **Grason-Stadler, Inc.**, Milford, N.H.

[**] Term: **14 Years**

Primary Examiner—Stella Reid
Attorney, Agent, or Firm—Wall Marjama Bilinski & Burr

[21] Appl. No.: **29/096,275**

[22] Filed: **Nov. 9, 1998**

[57] **CLAIM**

The ornamental design for an ear tip for use in hearing testing, as shown and described.

[51] **LOC (7) Cl.** **24-04**

[52] **U.S. Cl.** **D24/173**

[58] **Field of Search** D24/173; 128/746;
73/585, 586, 587, 801; 600/559

DESCRIPTION

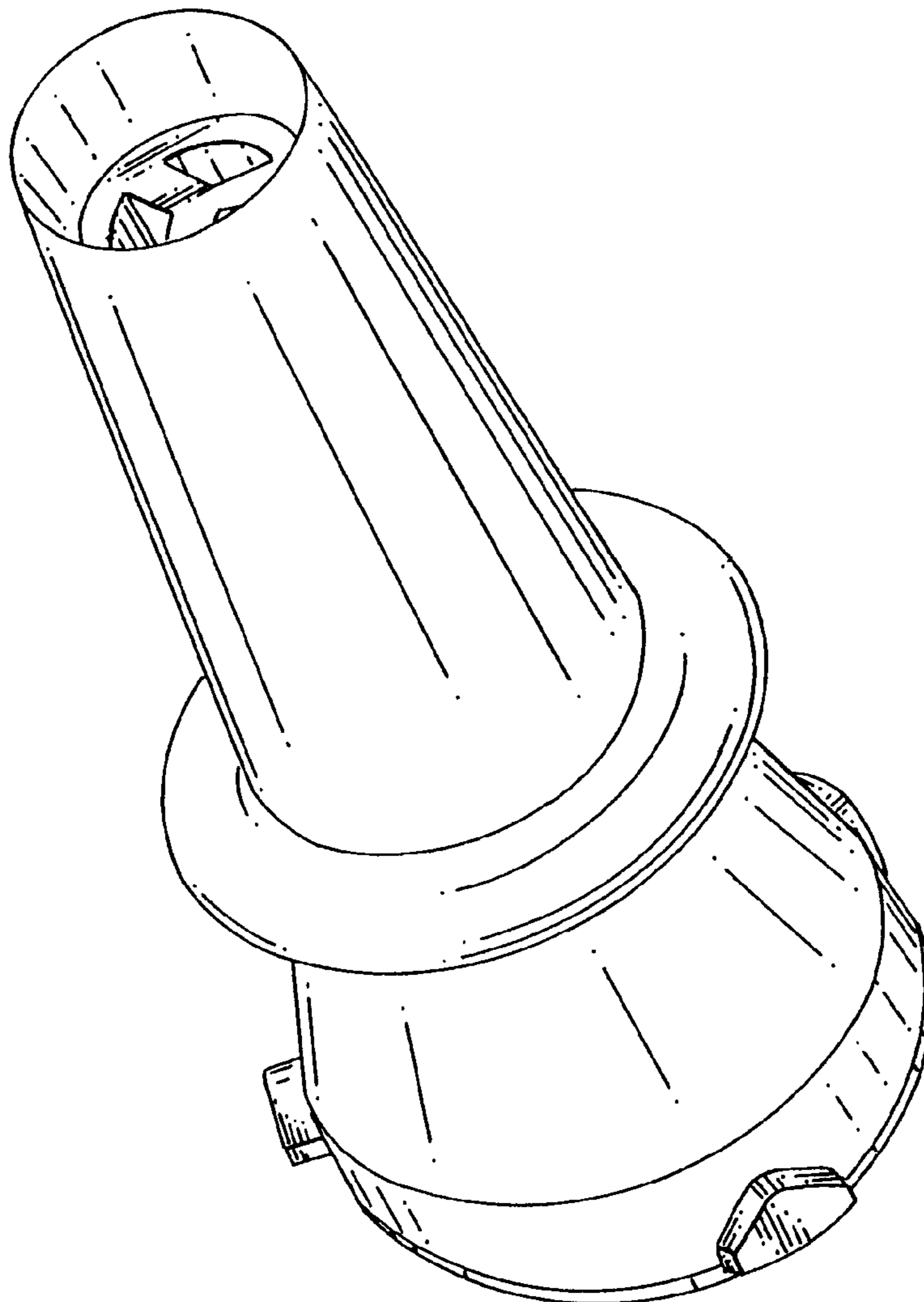
FIG. 1 is a front perspective view of an ear tip for use in hearing testing, showing my new design;
FIG. 2 is a rear perspective view thereof;
FIG. 3 is a side elevational view thereof, the opposite side being identical thereto;
FIG. 4 is a rear view thereof; and,
FIG. 5 is a front view of FIG. 1.

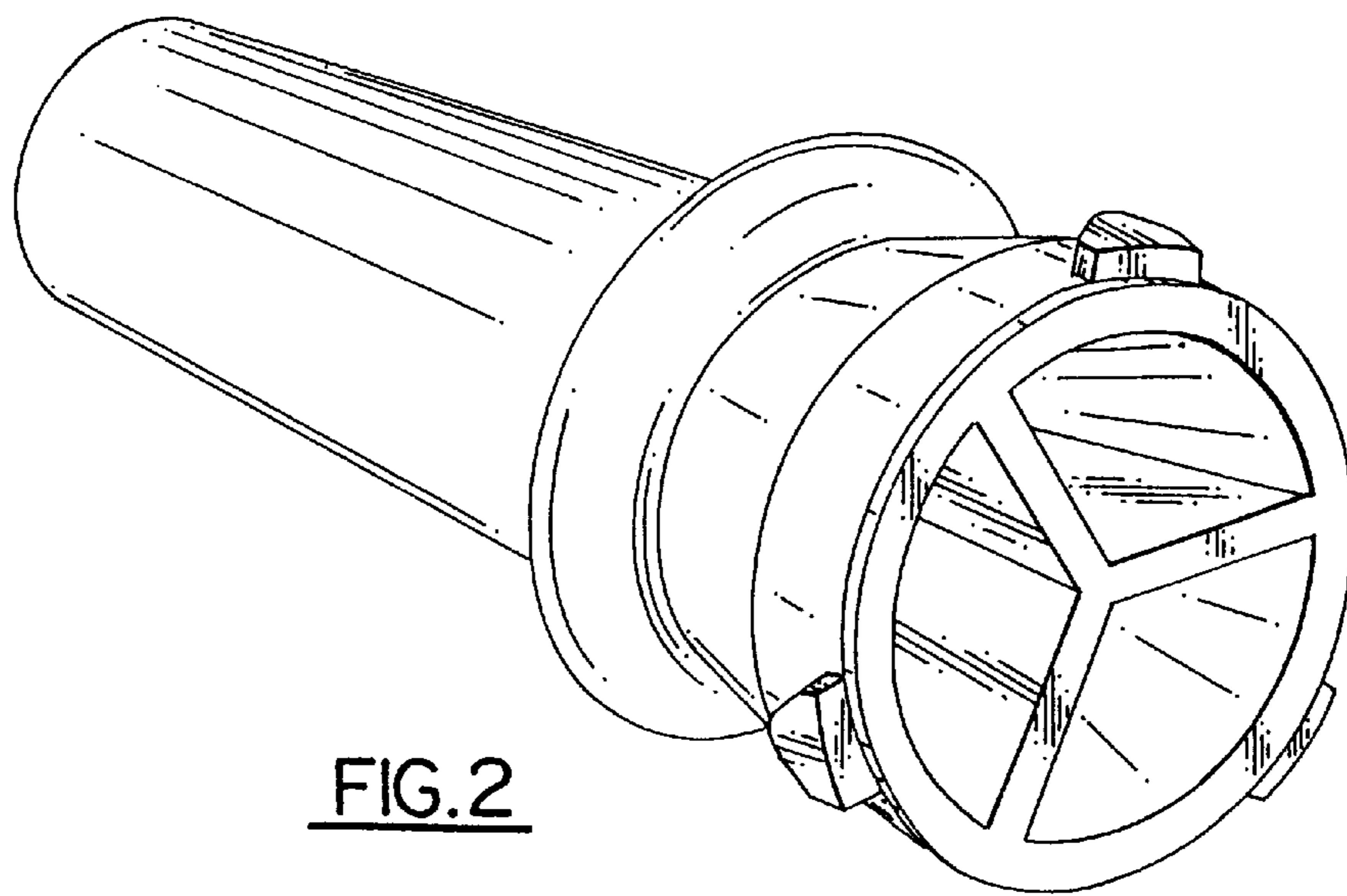
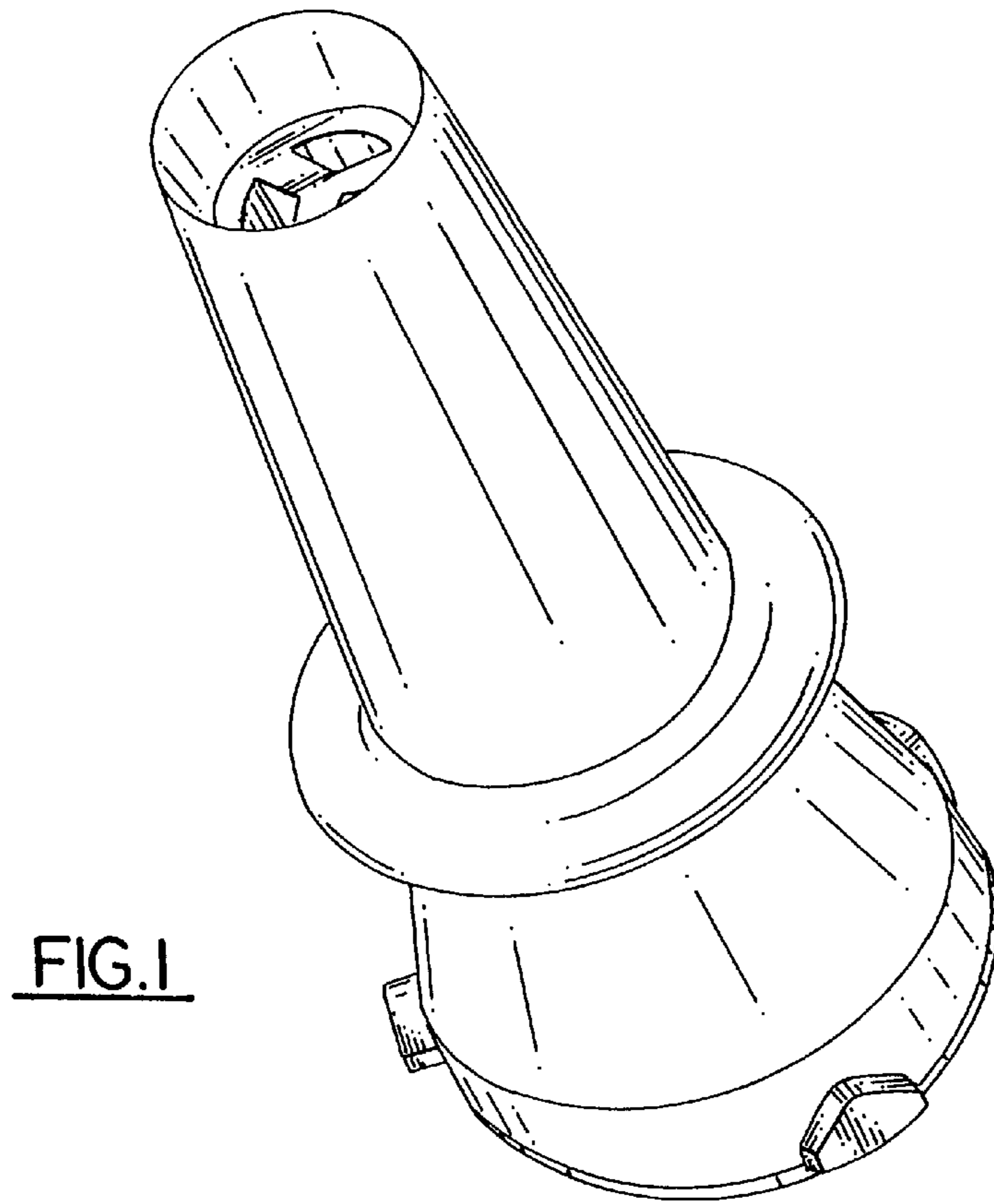
[56] **References Cited**

U.S. PATENT DOCUMENTS

4,057,051 11/1977 Kerouac 600/559
4,374,526 2/1983 Kemp 600/559
4,615,007 9/1986 King et al. 128/746

1 Claim, 2 Drawing Sheets





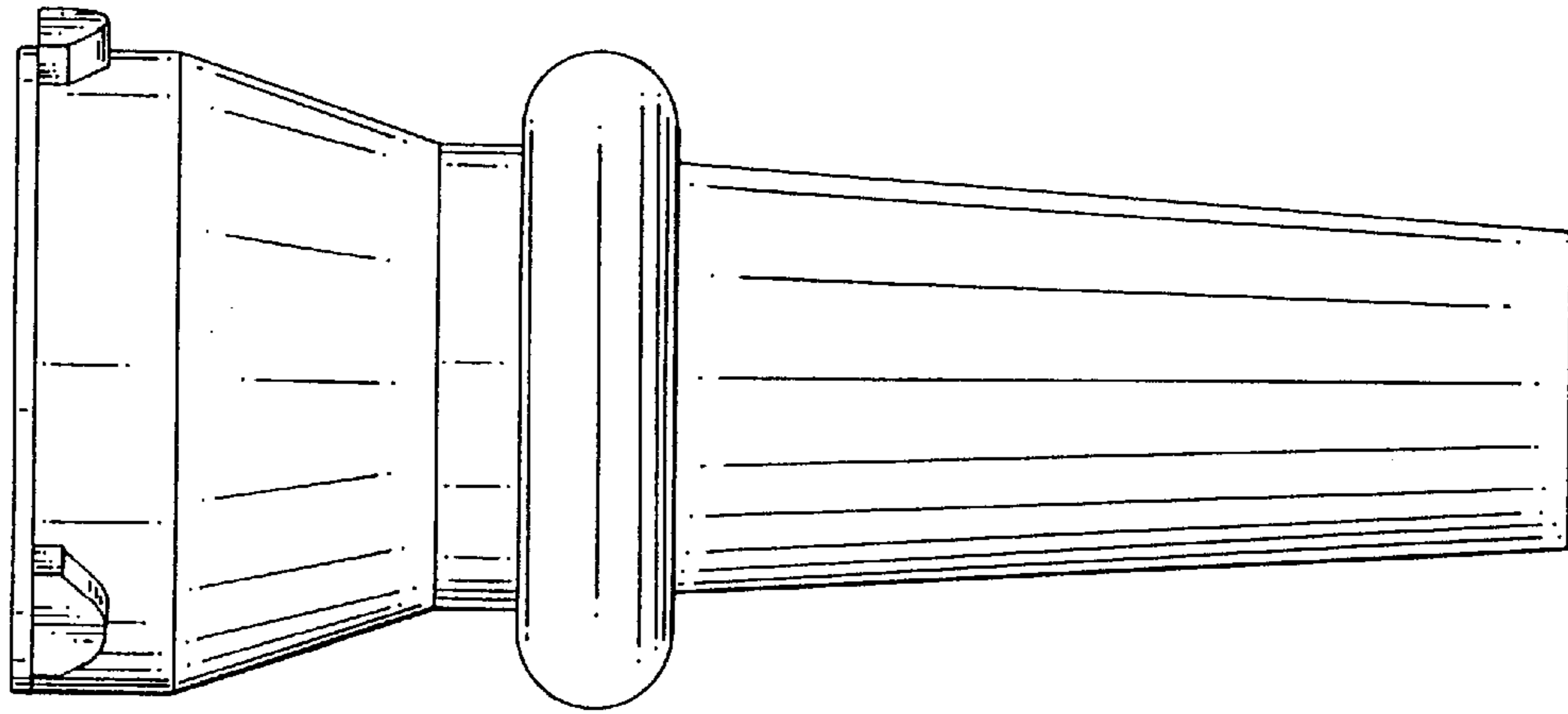


FIG.3

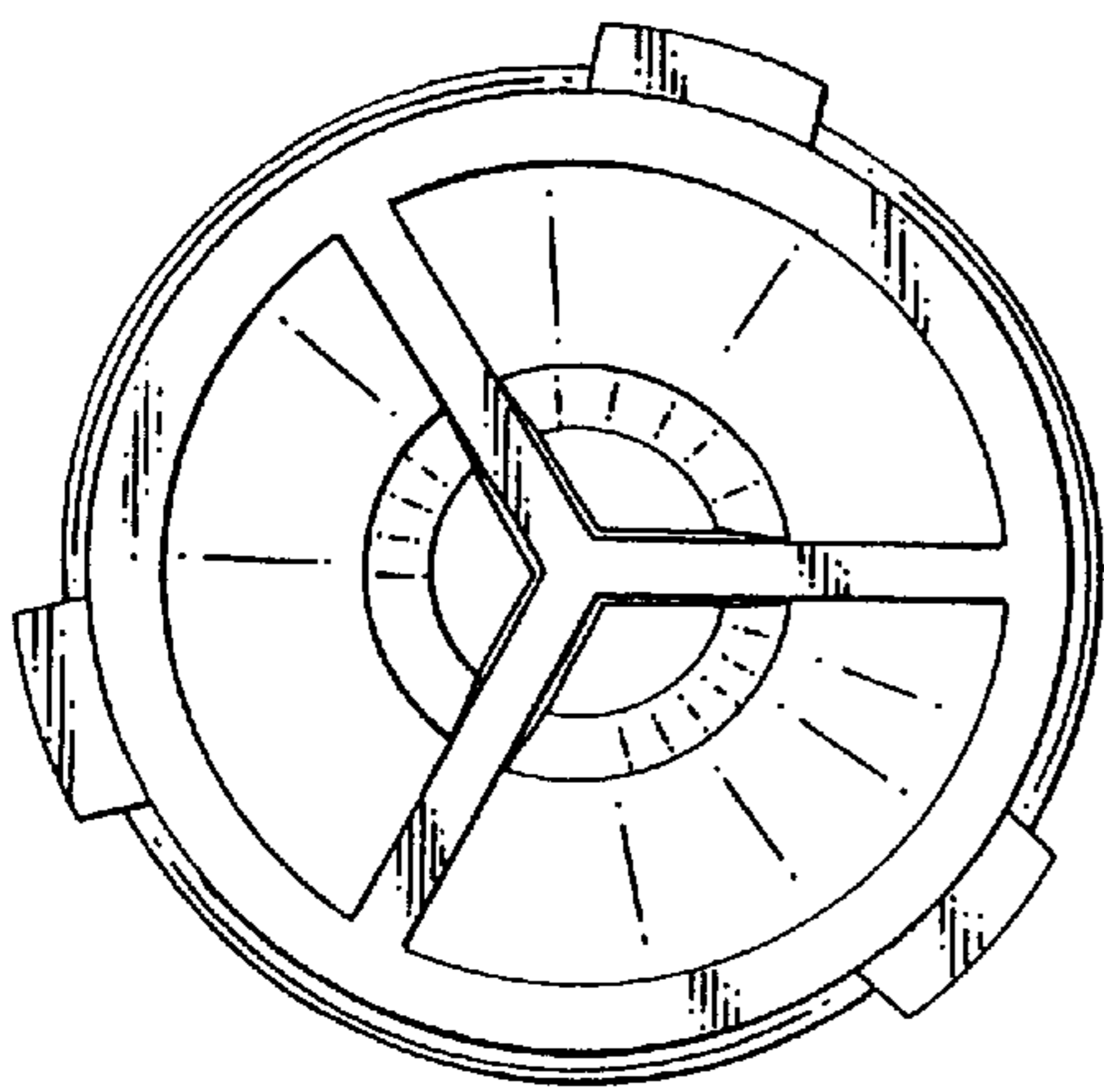


FIG.4

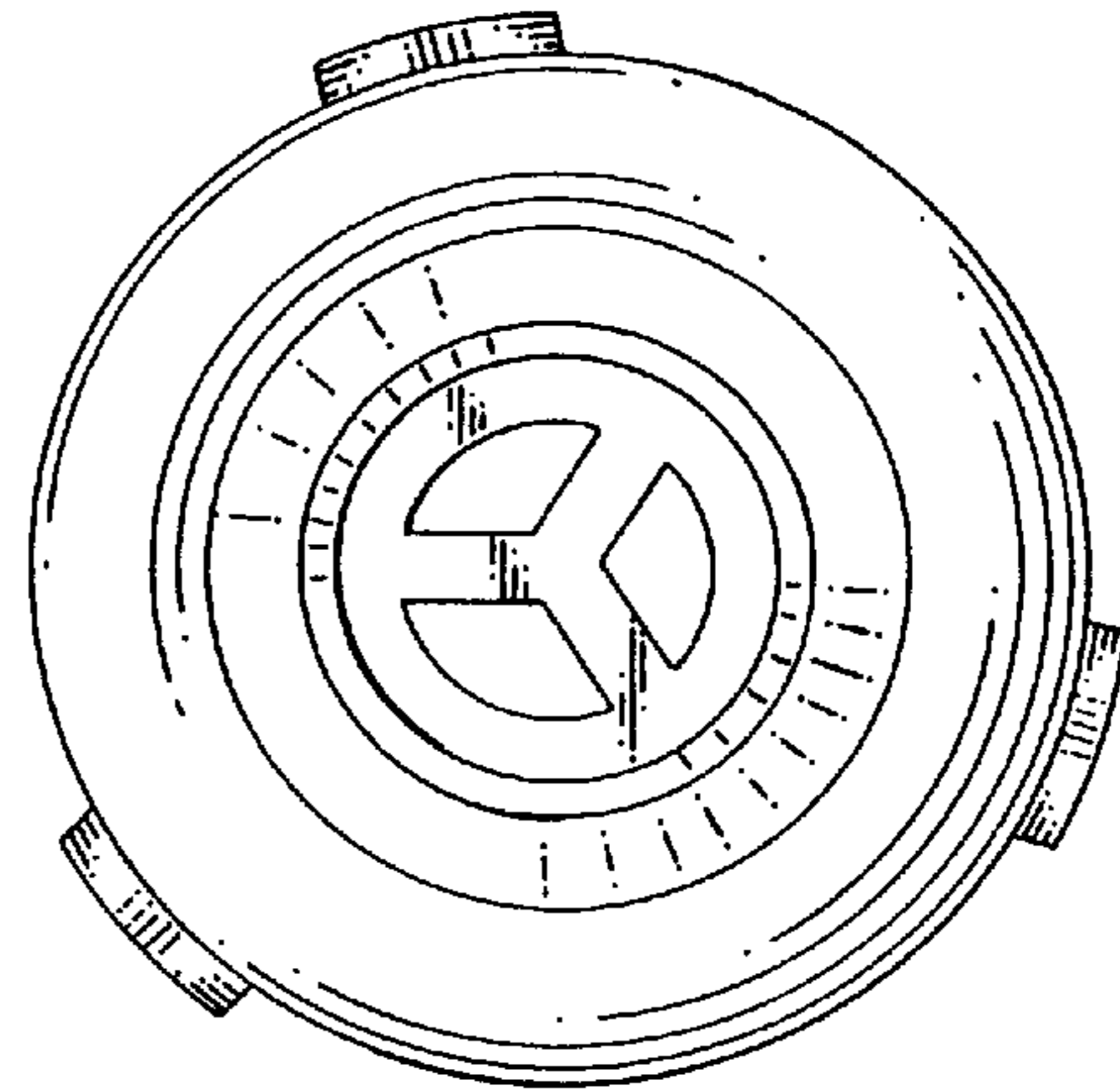


FIG.5