



US00D419674S

**United States Patent** [19]  
**Schattner**

[11] **Patent Number: Des. 419,674**  
[45] **Date of Patent: \*\* Jan. 25, 2000**

[54] **BASE FOR AN I.V. POLE** 4,725,027 2/1988 Bekanich ..... 248/125.8  
4,744,536 5/1988 Bancalari ..... 248/125.8  
[75] Inventor: **Robert L. Schattner**, Cherry Hill, N.J. 5,820,086 10/1998 Hoftman et al. .... 248/125.2

[73] Assignee: **Omni Acquisition Corp.**, West Des Moines, Iowa

*Primary Examiner*—Stella Reid  
*Attorney, Agent, or Firm*—Blank Rome Comisky & McCauley LLP

[\*\*] Term: **14 Years**

[57] **CLAIM**

[21] Appl. No.: **29/087,630**

The ornamental design for a base for an I.V. pole, as shown and described.

[22] Filed: **May 6, 1998**

[51] **LOC (7) Cl.** ..... **24-01**

[52] **U.S. Cl.** ..... **D24/128**

[58] **Field of Search** ..... D24/128; 604/243, 604/245, 246, 253; 248/121, 125.2, 124.1, 123.11, 125.8

**DESCRIPTION**

FIG. 1 is a perspective view of a base for an I.V. pole, showing my new design;

FIG. 2 is a top plan view of FIG. 1;

FIG. 3 is a bottom plan view of FIG. 1;

FIG. 4 is a left side elevational view of FIG. 1;

FIG. 5 is a right side elevational view of FIG. 1; and,

FIG. 6 is a perspective view of the base of FIG. 1 having one leg in a raised position.

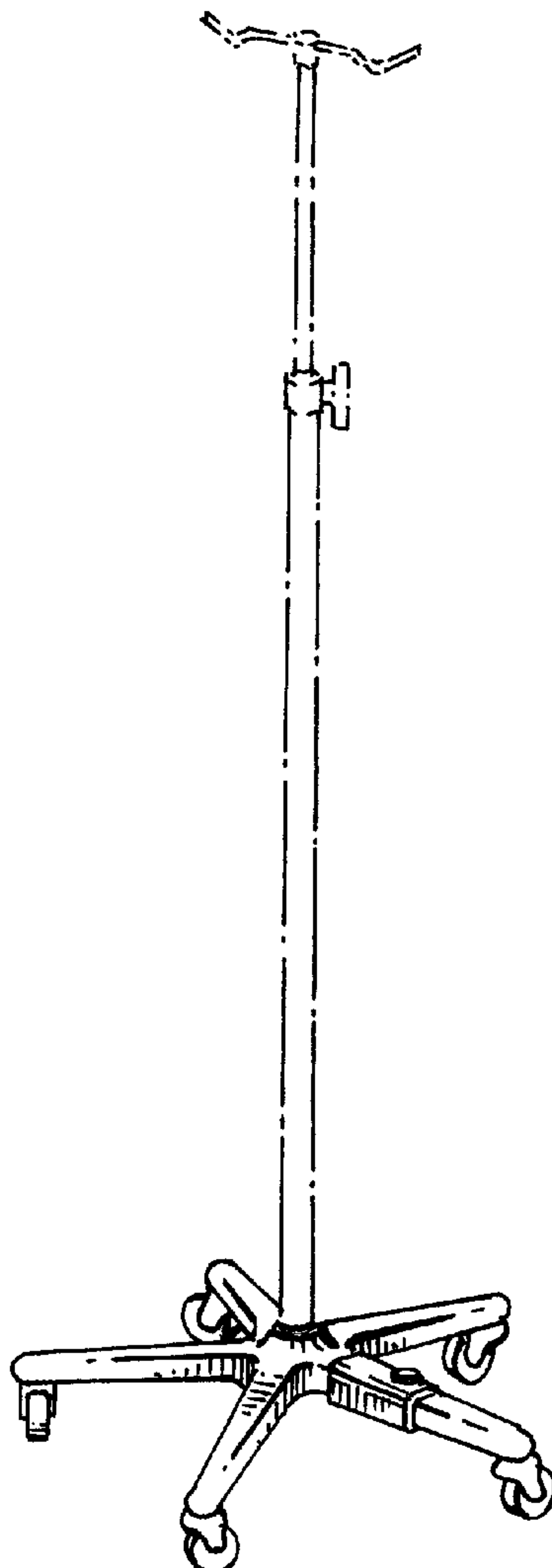
The broken line showing in FIGS. 1 and 6 is for illustrative purposes only and forms no part of the claimed design.

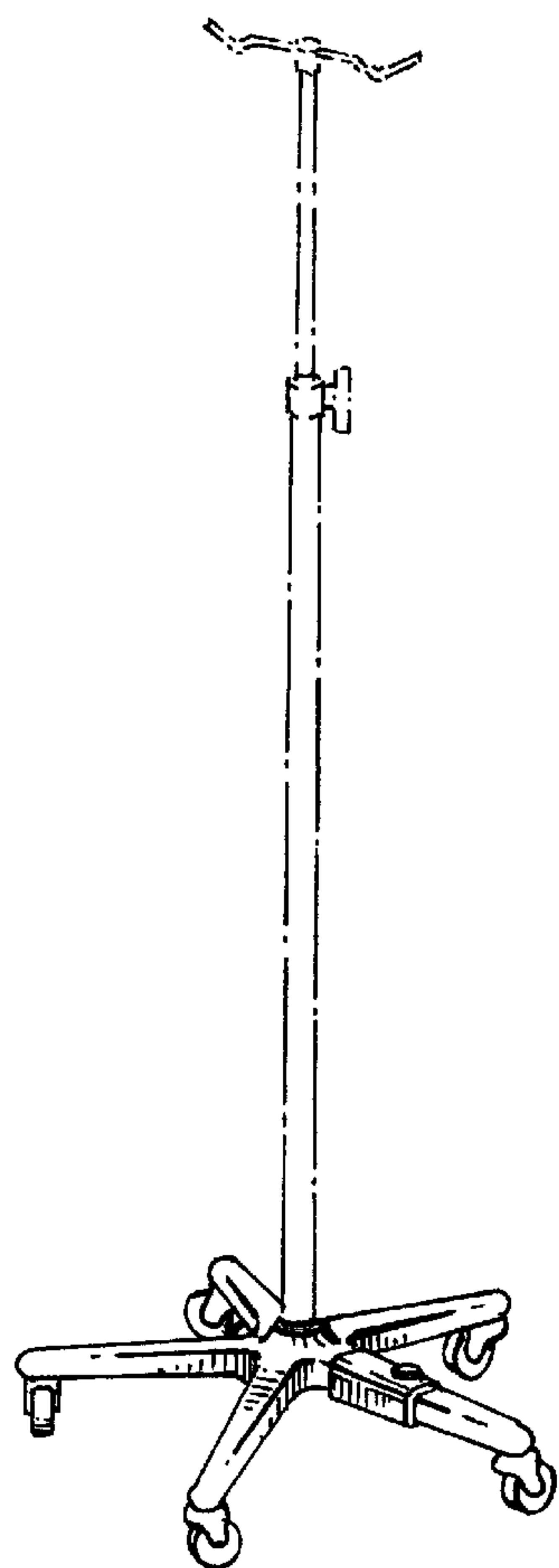
[56] **References Cited**

**U.S. PATENT DOCUMENTS**

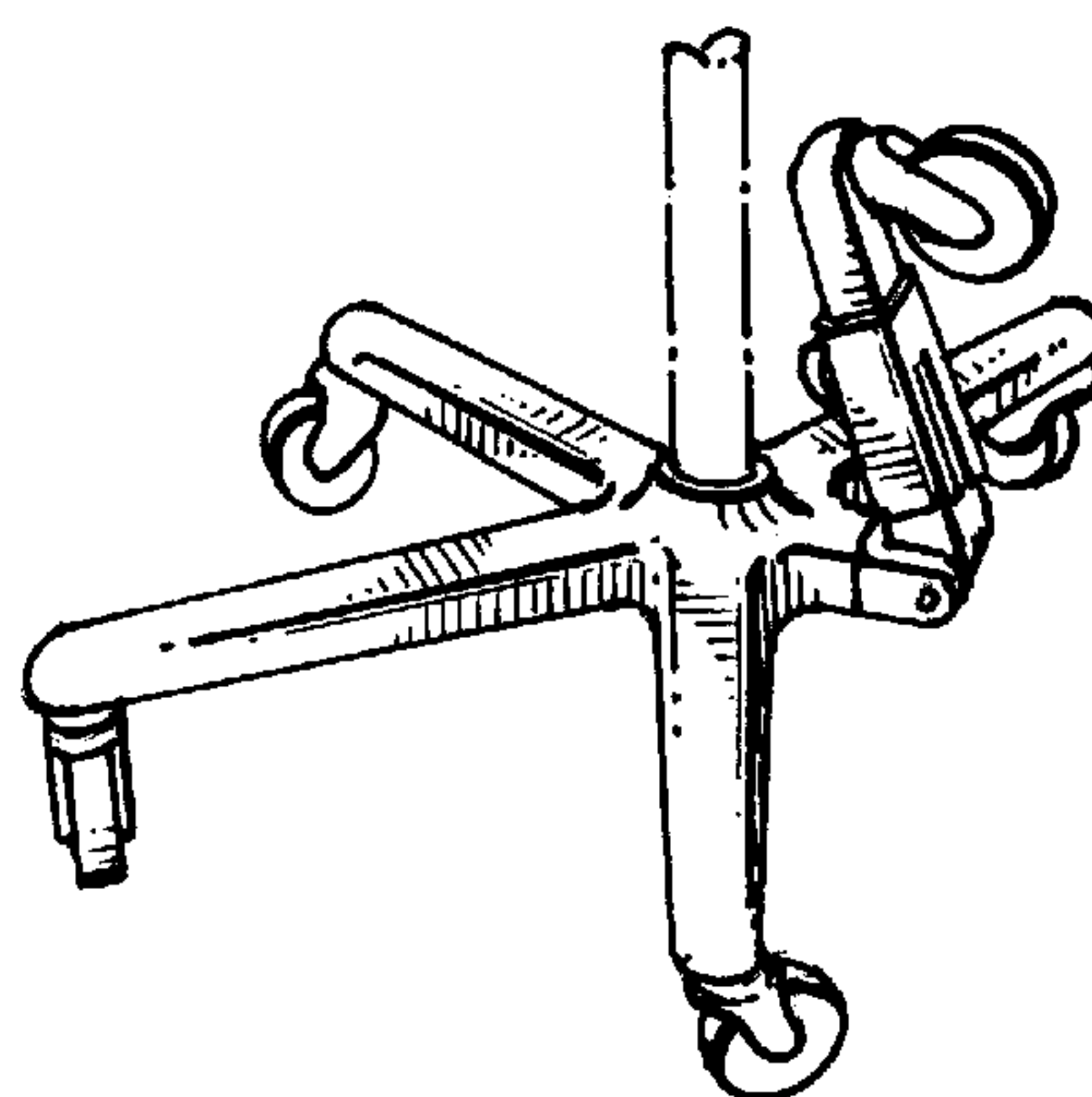
D. 260,816 9/1981 Zissimopoulos et al. .... D24/128  
D. 281,453 11/1985 DiGianfilippo et al. .... D24/128  
D. 308,725 6/1990 Kraus ..... D24/128  
D. 325,440 4/1992 Landis et al. .... D24/185

**1 Claim, 2 Drawing Sheets**

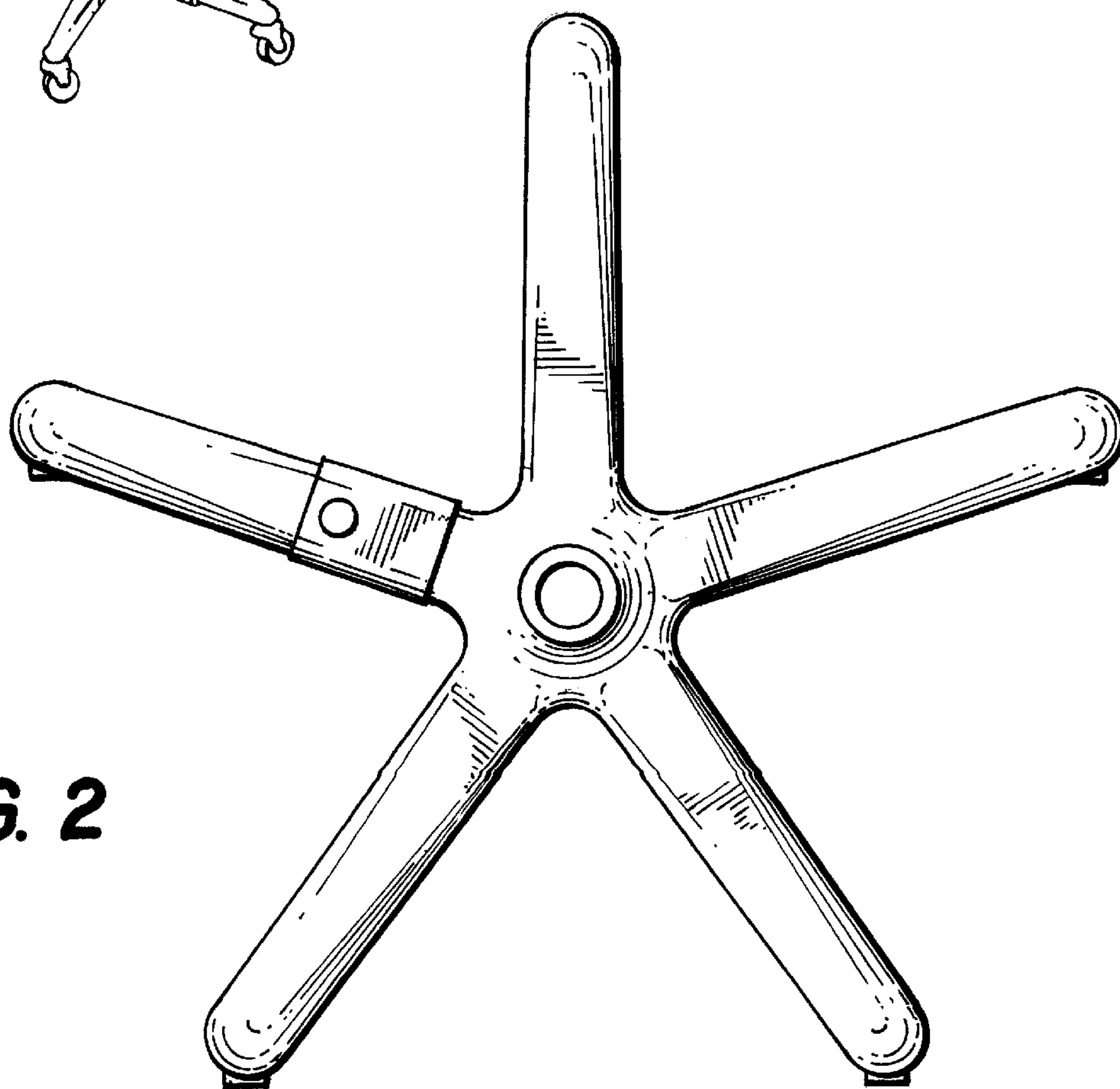




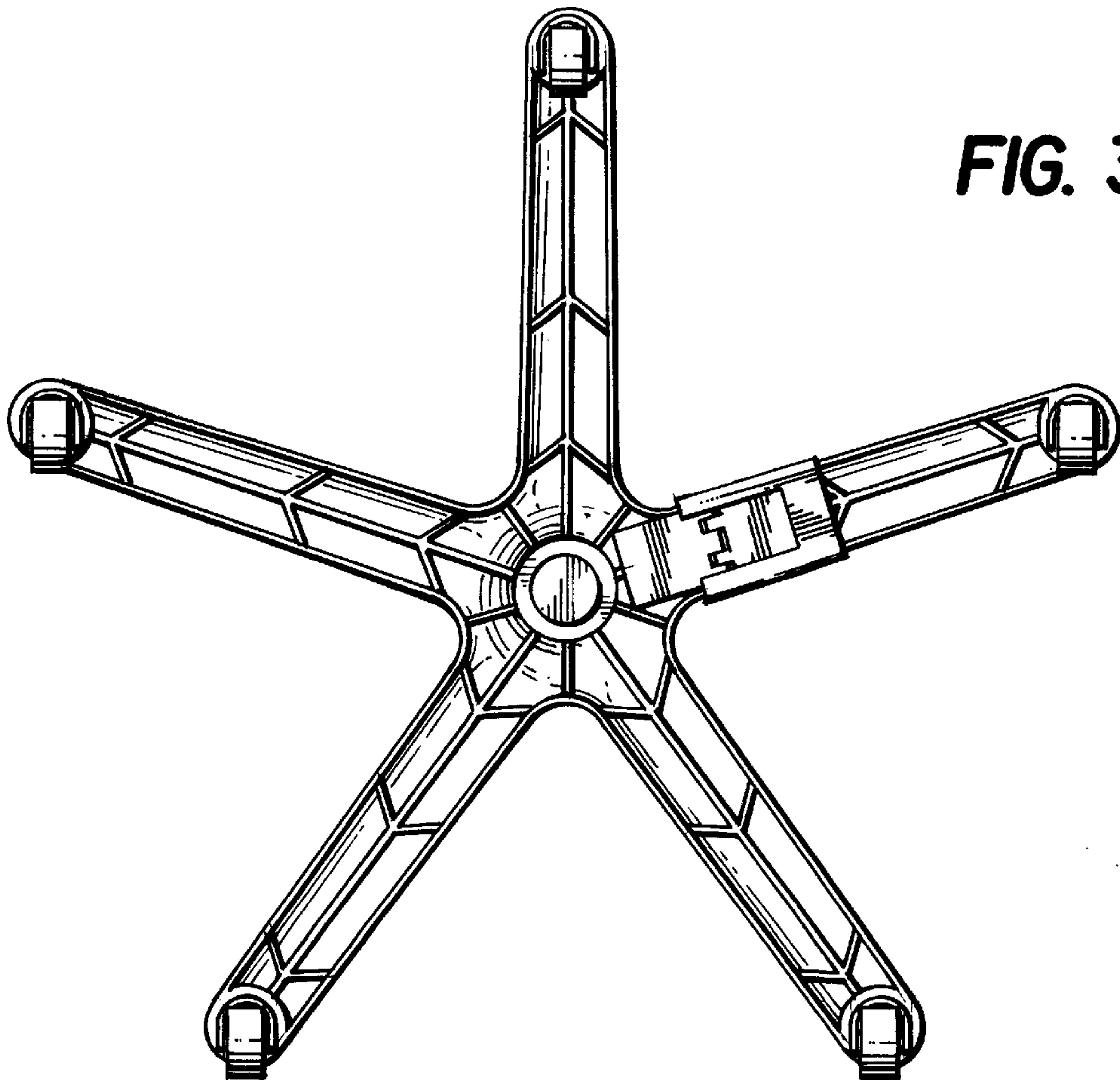
**FIG. 1**



**FIG. 6**

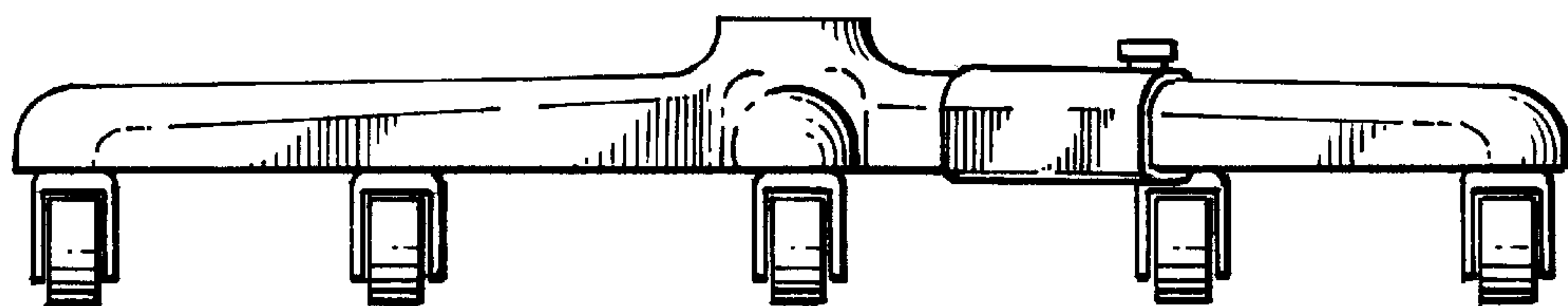
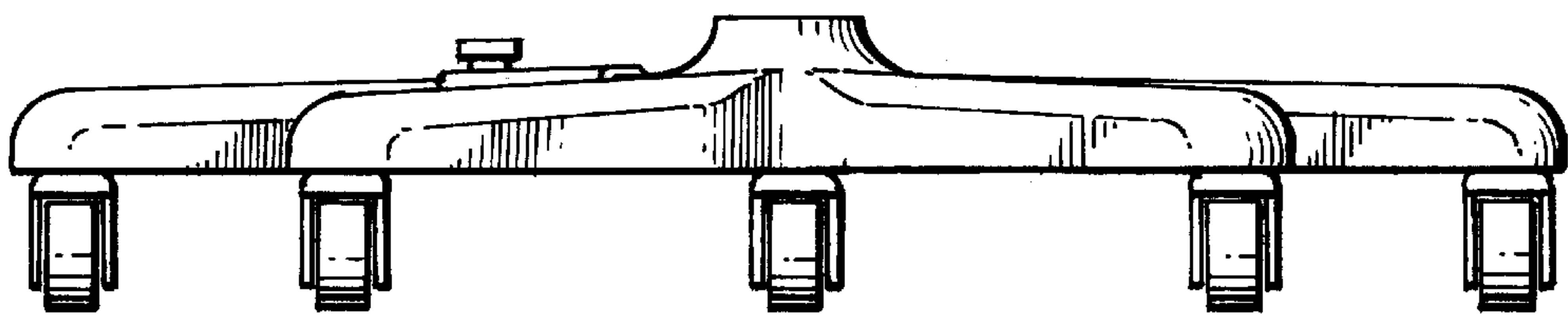


**FIG. 2**



**FIG. 3**

**FIG. 4**



**FIG. 5**