



US00D419671S

United States Patent [19]
Jansen

[11] **Patent Number: Des. 419,671**
[45] **Date of Patent: ** Jan. 25, 2000**

[54] **PREFILLABLE SYRINGE**
[75] Inventor: **Hubert Jansen**, Poizat, France
[73] Assignee: **Becton Dickinson and Company**,
Franklin Lakes, N.J.
[**] Term: **14 Years**
[21] Appl. No.: **29/095,607**
[22] Filed: **Oct. 27, 1998**

5,571,181 11/1996 Li 623/11
5,607,399 3/1997 Grimard 604/220
5,624,402 4/1997 Imbert 604/111
5,634,903 6/1997 Kurose 604/110
5,667,495 9/1997 Bitdinger et al. 604/220
5,681,292 10/1997 Tober et al. 604/195
5,700,247 12/1997 Grimard et al. 604/220
5,803,918 9/1998 Vetter et al. 604/110

Primary Examiner—Susan J. Lucas
Assistant Examiner—Cynthia E. Ramirez
Attorney, Agent, or Firm—Allen W. Wark

Related U.S. Application Data

[63] Continuation of application No. 29/088,196, May 18, 1998.
[51] **LOC (7) Cl.** **24-02**
[52] **U.S. Cl.** **D24/112**
[58] **Field of Search** D24/111, 112,
D24/114, 130, 140; 604/220, 263, 221,
214, 228, 218, 187

[57] **CLAIM**

I claim the ornamental design for the prefillable syringe, as shown.

DESCRIPTION

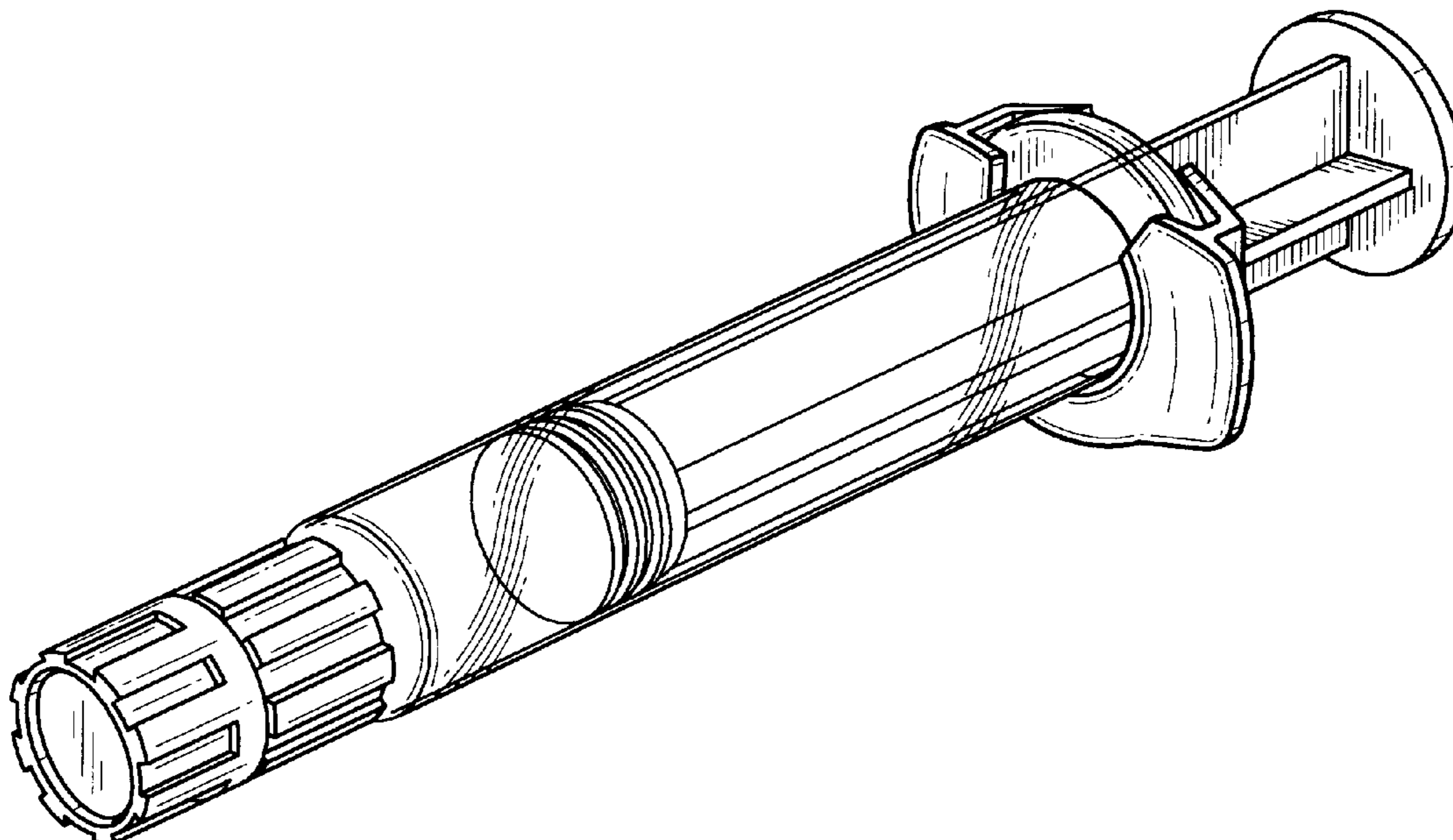
FIG. 1 is a top, side perspective view of the prefillable syringe of the present invention;
FIG. 2 is a distal end view of the prefillable syringe shown in FIG. 1;
FIG. 3 is a proximal end view of the prefillable syringe shown in FIG. 1;
FIG. 4 is a top plan view of the prefillable syringe shown in FIG. 1;
FIG. 5 is a side elevation view of the prefillable syringe shown in FIG. 1; and,
FIG. 6 is a bottom plan view of the prefillable syringe shown in FIG. 1.

[56] **References Cited**

U.S. PATENT DOCUMENTS

D. 338,957 8/1993 de Faire et al. D24/130
D. 383,205 9/1997 Pagay et al. D24/112
5,279,585 1/1994 Balkwill 604/207
5,484,414 1/1996 Pace 604/110
5,509,903 4/1996 Grendahl et al. 604/187
5,533,980 7/1996 Sweeney et al. 604/192
5,554,133 9/1996 Haffner et al. 604/227

1 Claim, 4 Drawing Sheets



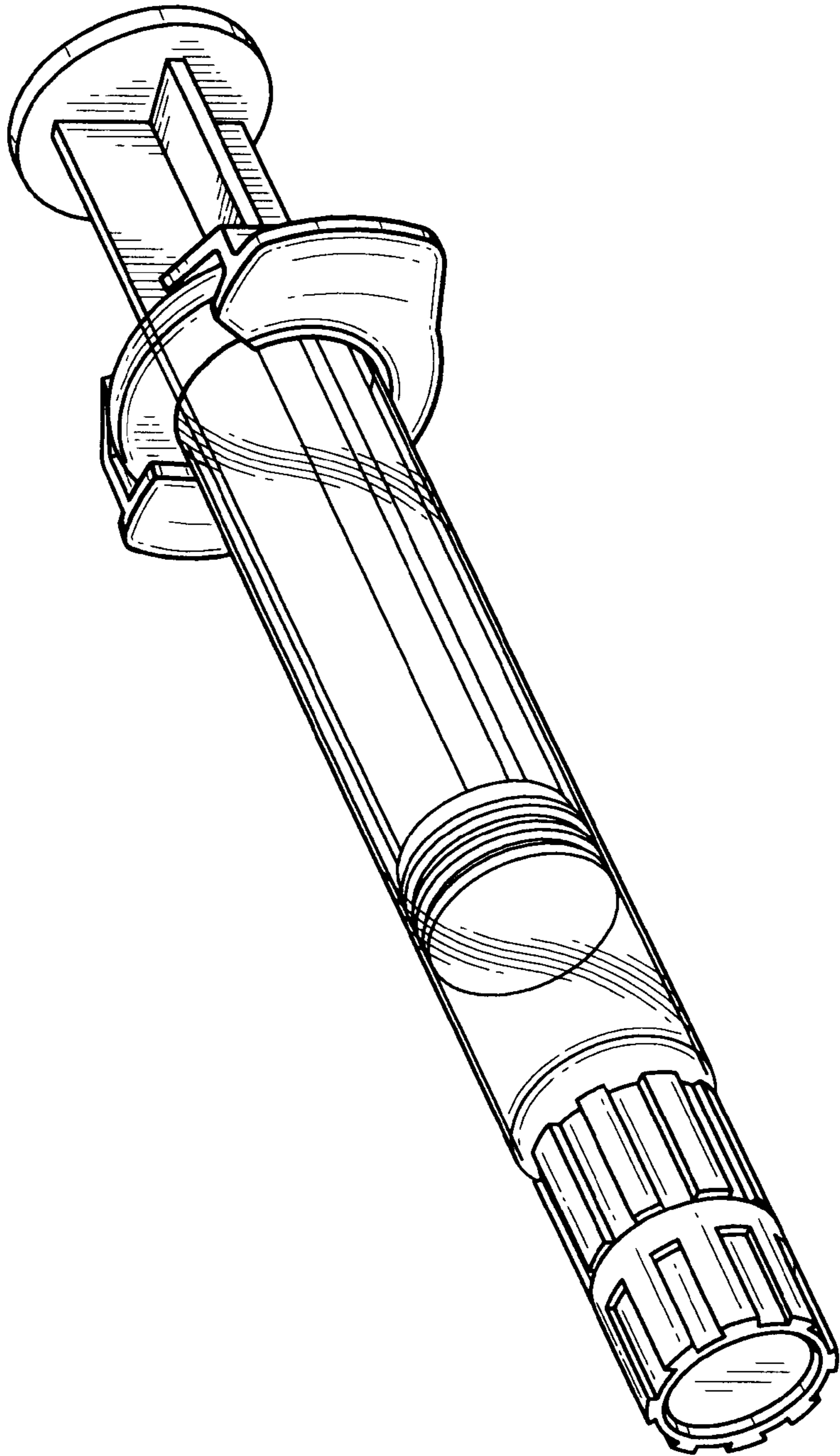


FIG-1

FIG-3

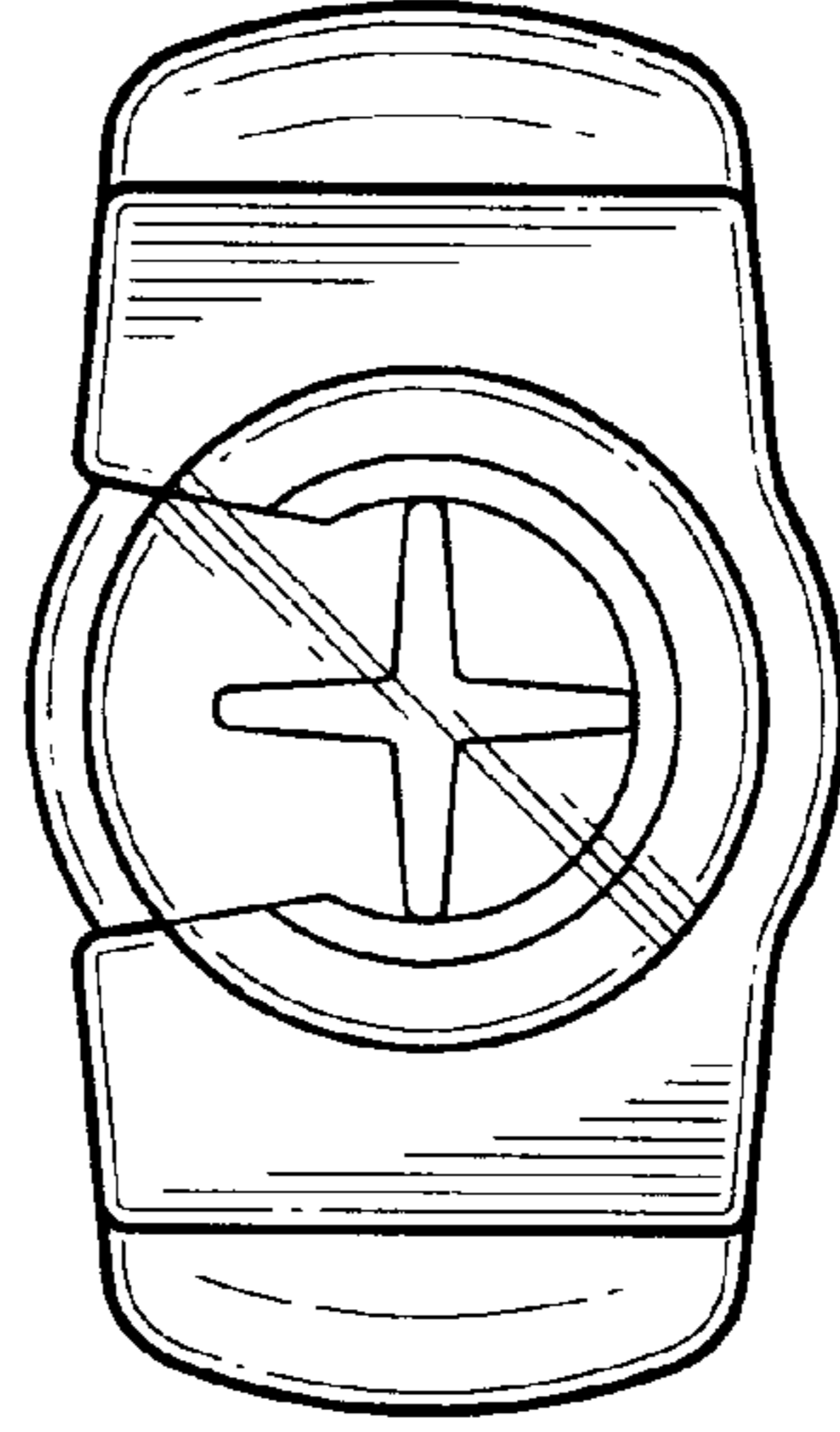


FIG-2

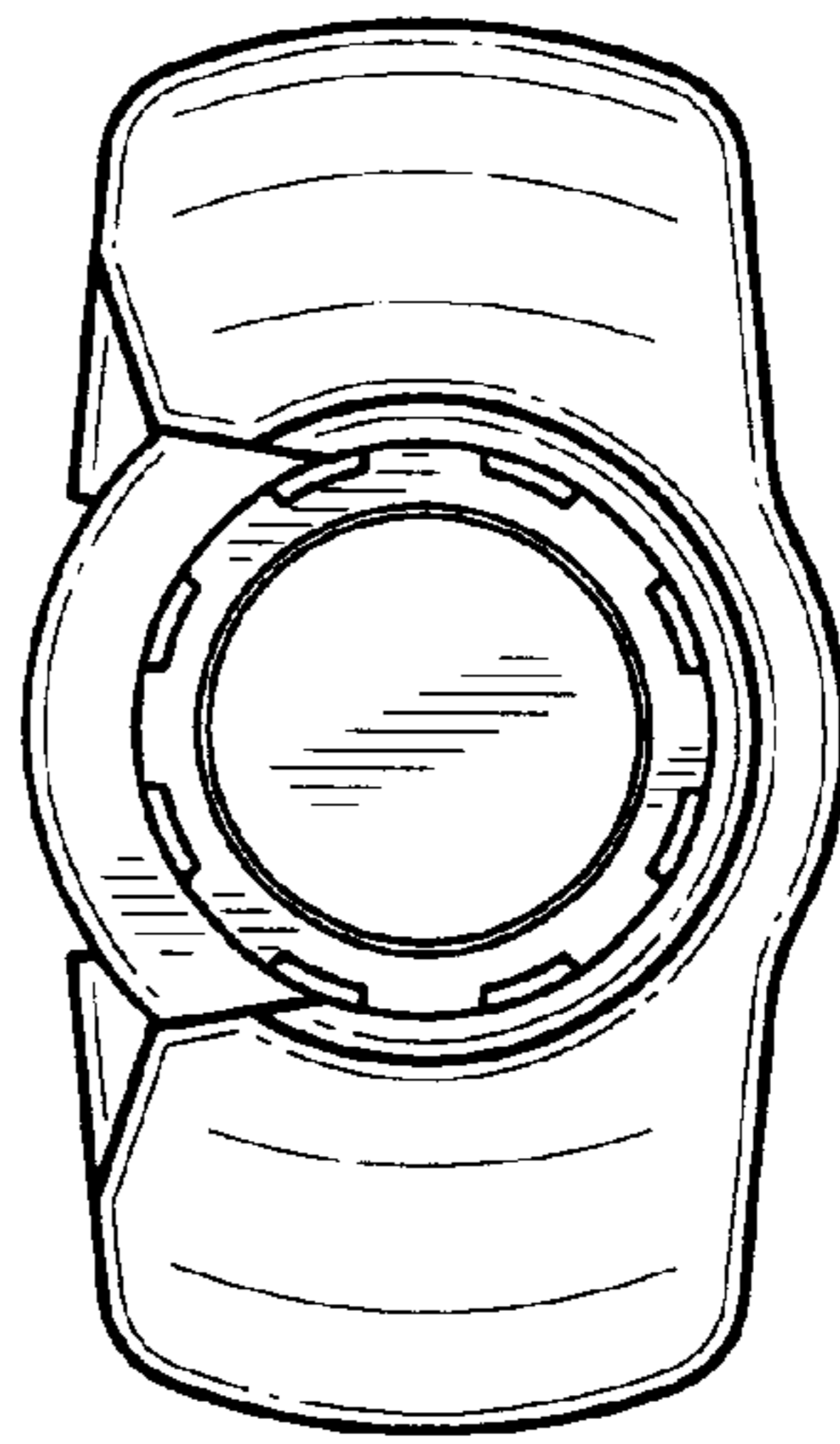


FIG-4

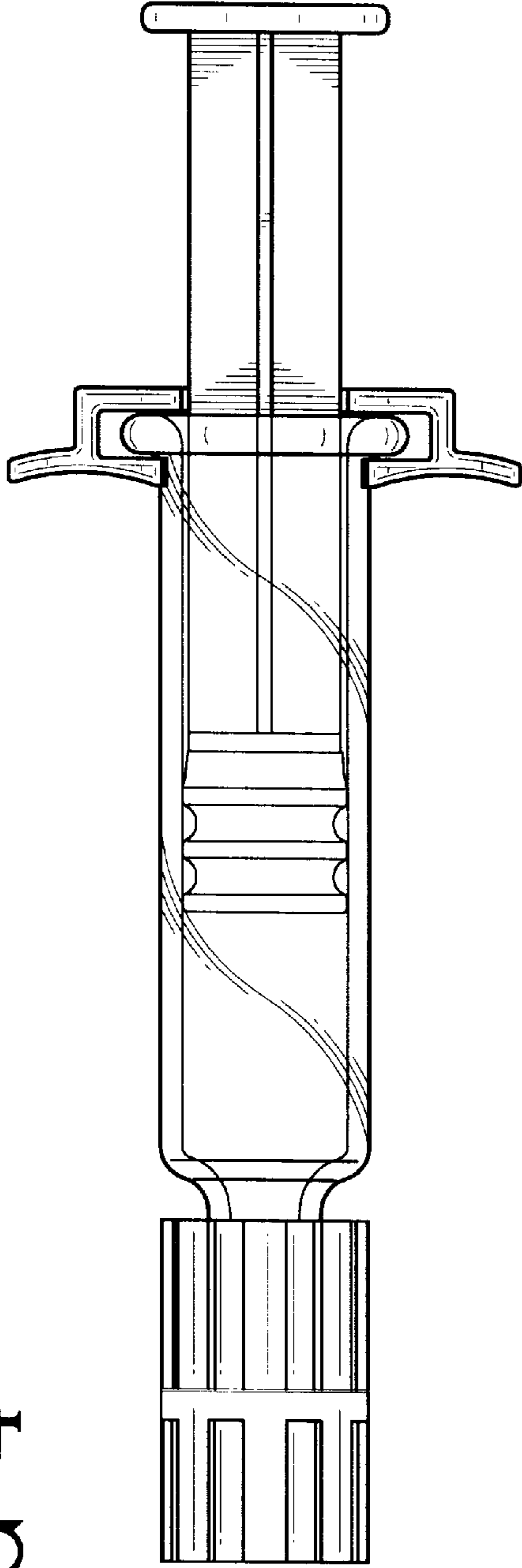
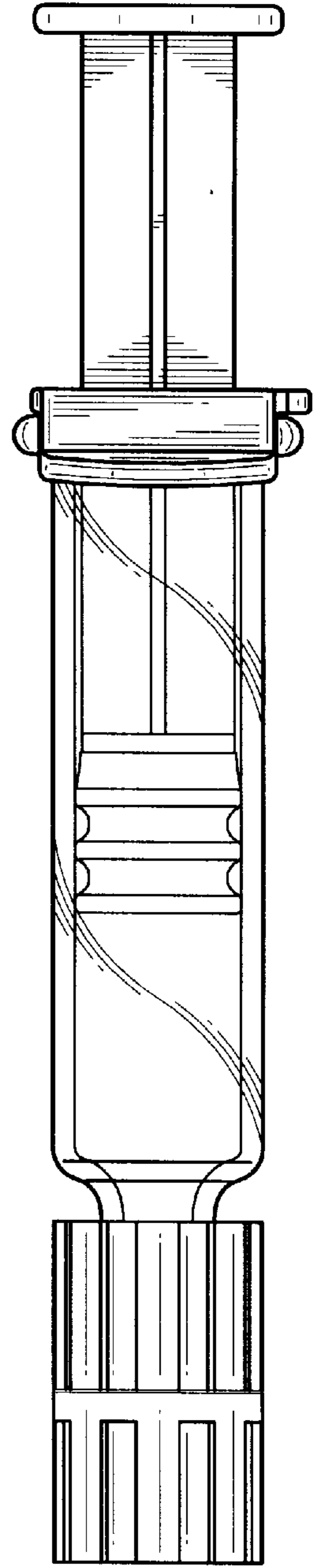


FIG-5



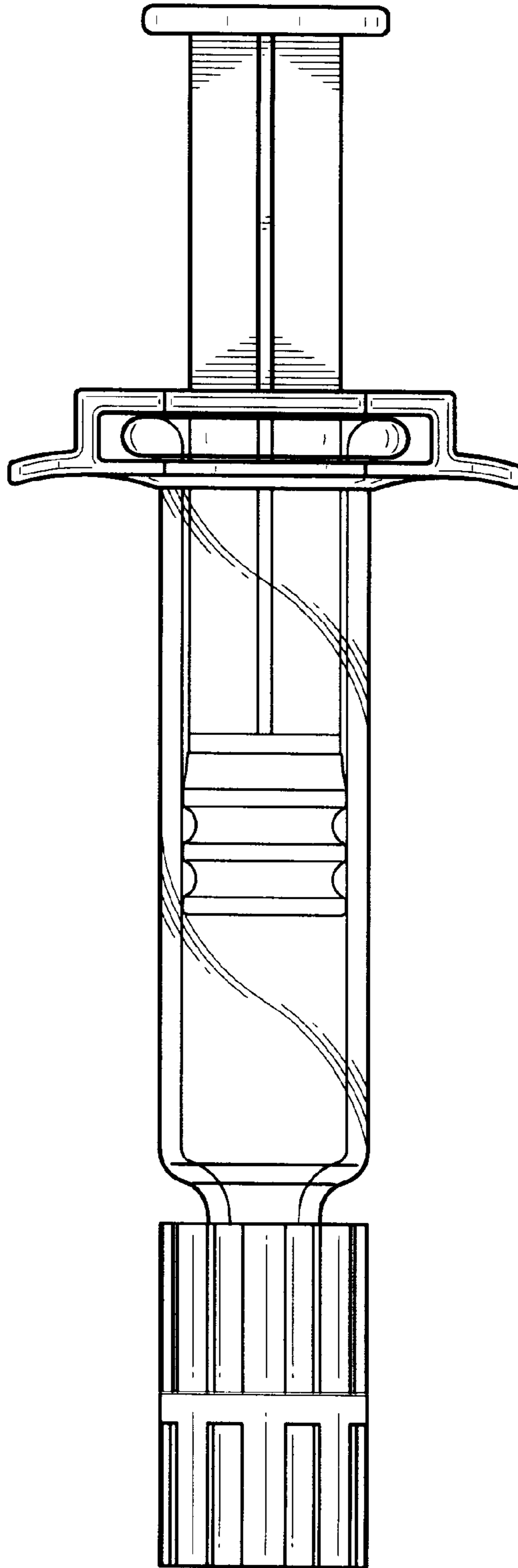


FIG-6