



US00D419660S

United States Patent [19] Zuege

[11] **Patent Number: Des. 419,660**
[45] **Date of Patent: ** Jan. 25, 2000**

[54] **COMBINED CEILING FAN AND LIGHT
FIXTURE**

[75] Inventor: **Bradford C. Zuege**, Memphis, Tenn.

[73] Assignee: **Hunter Fan Company**, Memphis,
Tenn.

[**] Term: **14 Years**

[21] Appl. No.: **29/101,390**

[22] Filed: **Mar. 3, 1999**

[51] **LOC (7) Cl.** **23-04**

[52] **U.S. Cl.** **D23/377; D23/379; D23/385;**
D26/59

[58] **Field of Search** D23/377, 379,
D23/385, 411, 413; 416/5; 392/364; 362/96;
D26/59, 51, 72, 81-86

[56] **References Cited**

U.S. PATENT DOCUMENTS

D. 305,059	12/1989	Miranda et al.	D23/377
D. 407,481	3/1999	Evans	D23/377
D. 408,516	4/1999	Tai	D23/377

OTHER PUBLICATIONS

Minka-Aire Cat., P. 28, Ceiling Fan (A) top of page.

Primary Examiner—Lisa Lichtenstein
Attorney, Agent, or Firm—Garrison, Morris & Haight,
PLLC

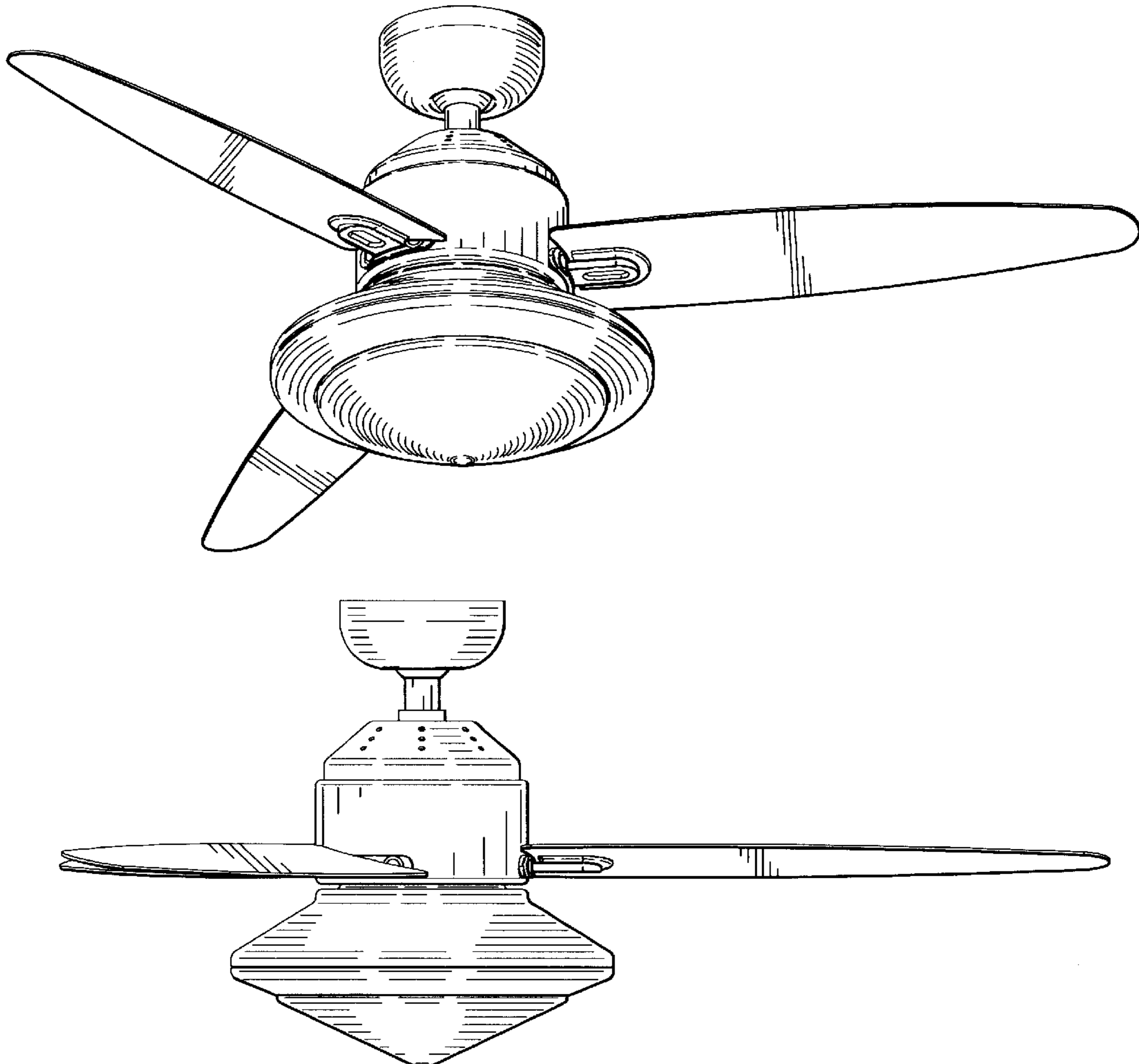
[57] **CLAIM**

The ornamental design for a combined ceiling fan and light fixture, as shown.

DESCRIPTION

FIG. 1 is a perspective view of a combined ceiling fan and light fixture showing my new design; FIG. 2 is a front view of FIG. 1; FIG. 3 is a right-side view of FIG. 1; FIG. 4 is a rear view of FIG. 1; FIG. 5 is a left-side view of FIG. 1; FIG. 6 is a top view of FIG. 1; FIG. 7 is a bottom view of FIG. 1; and, FIG. 8 is an enlarged perspective view of the design shown in FIG. 1, with the fan blades shown broken away for ease of illustration.

1 Claim, 8 Drawing Sheets



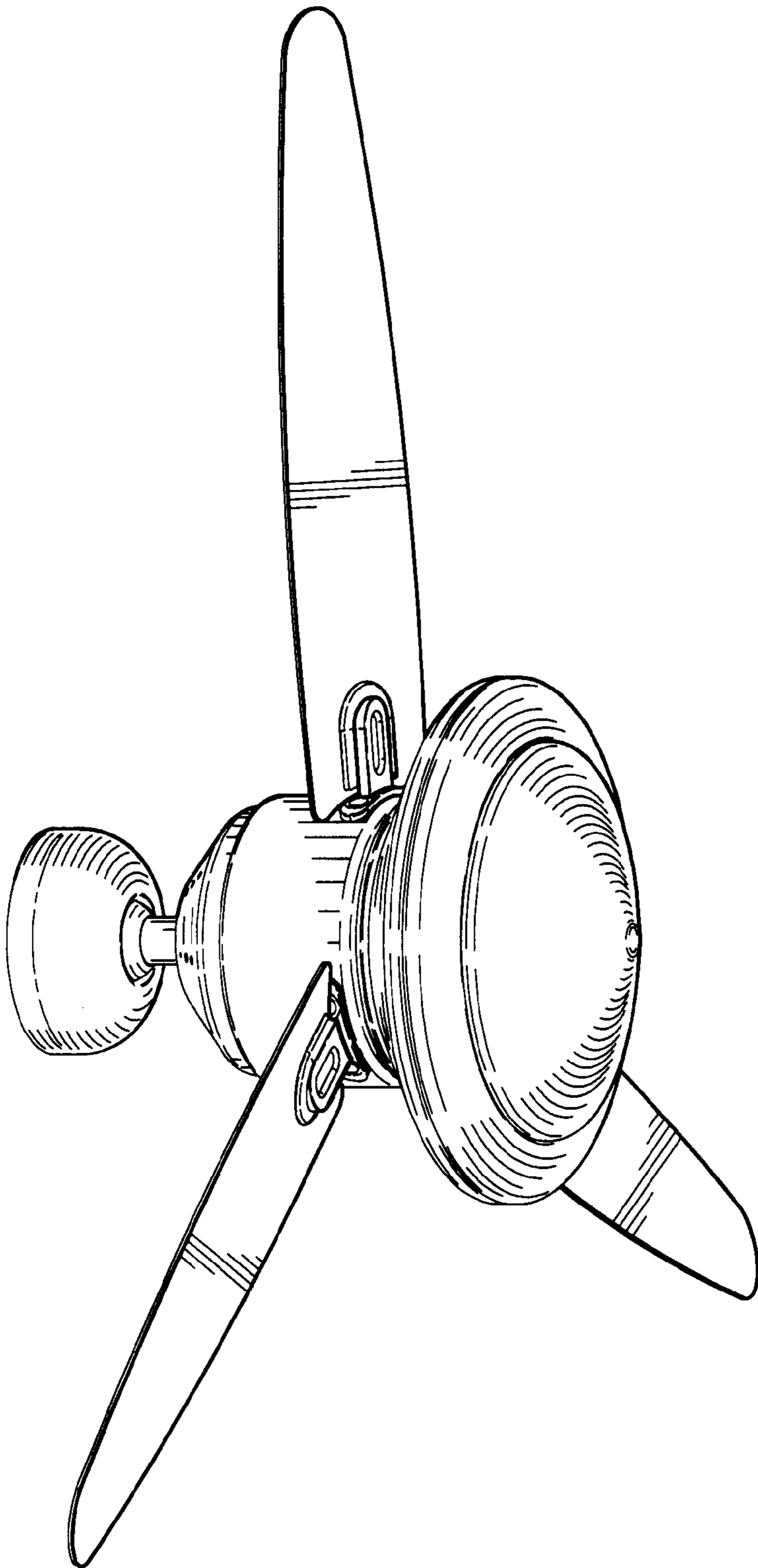


FIG 1

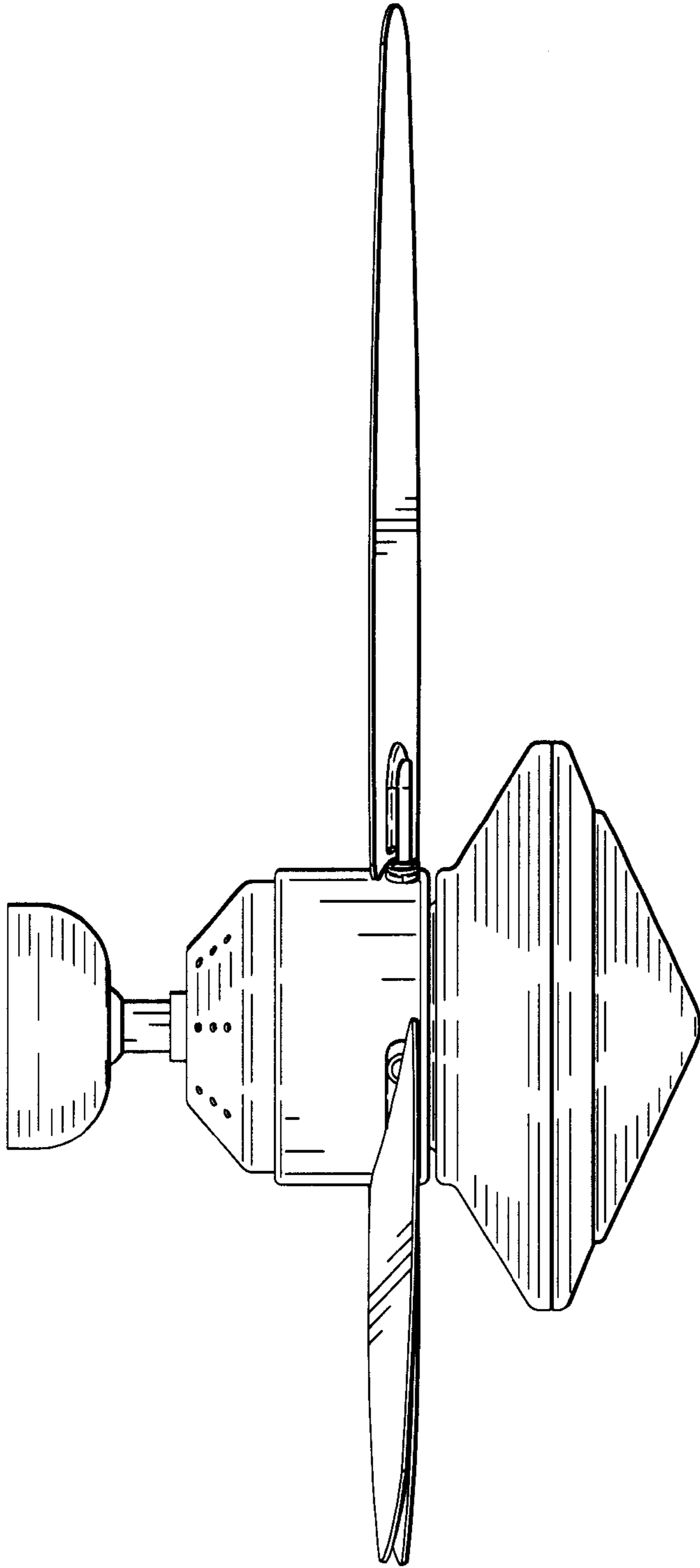


FIG 2

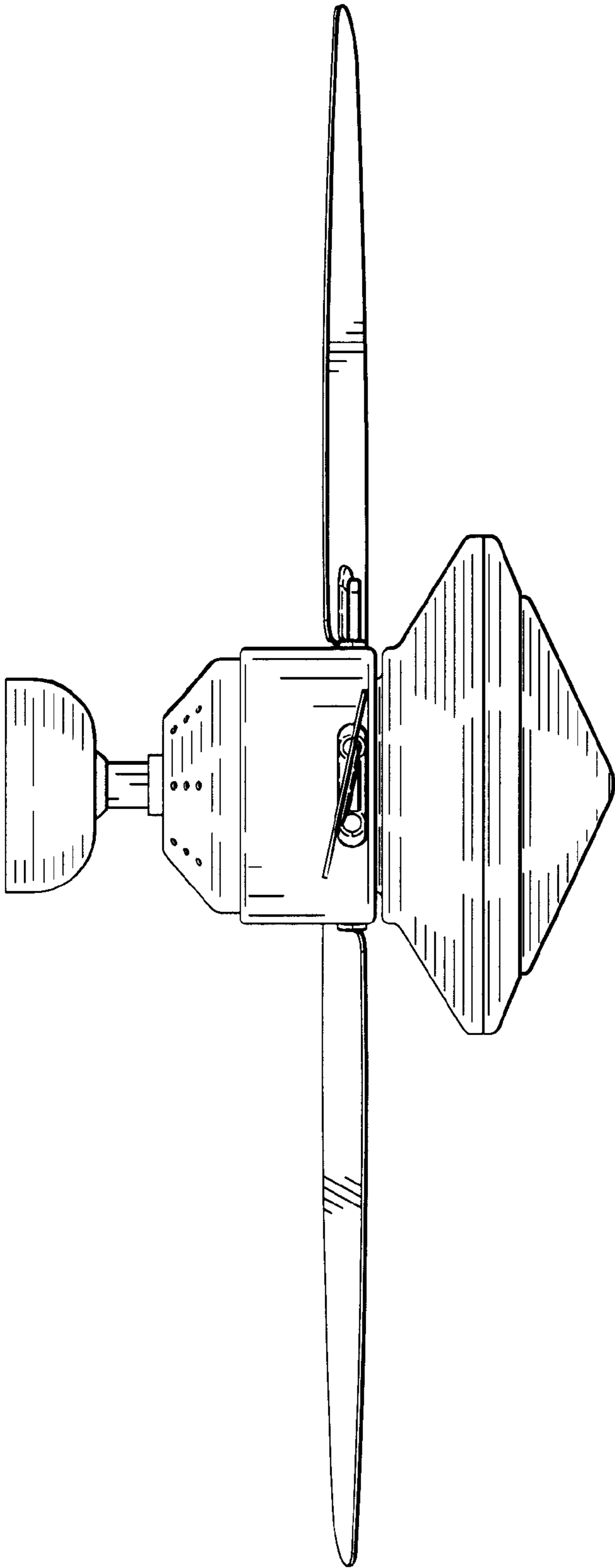


FIG 3

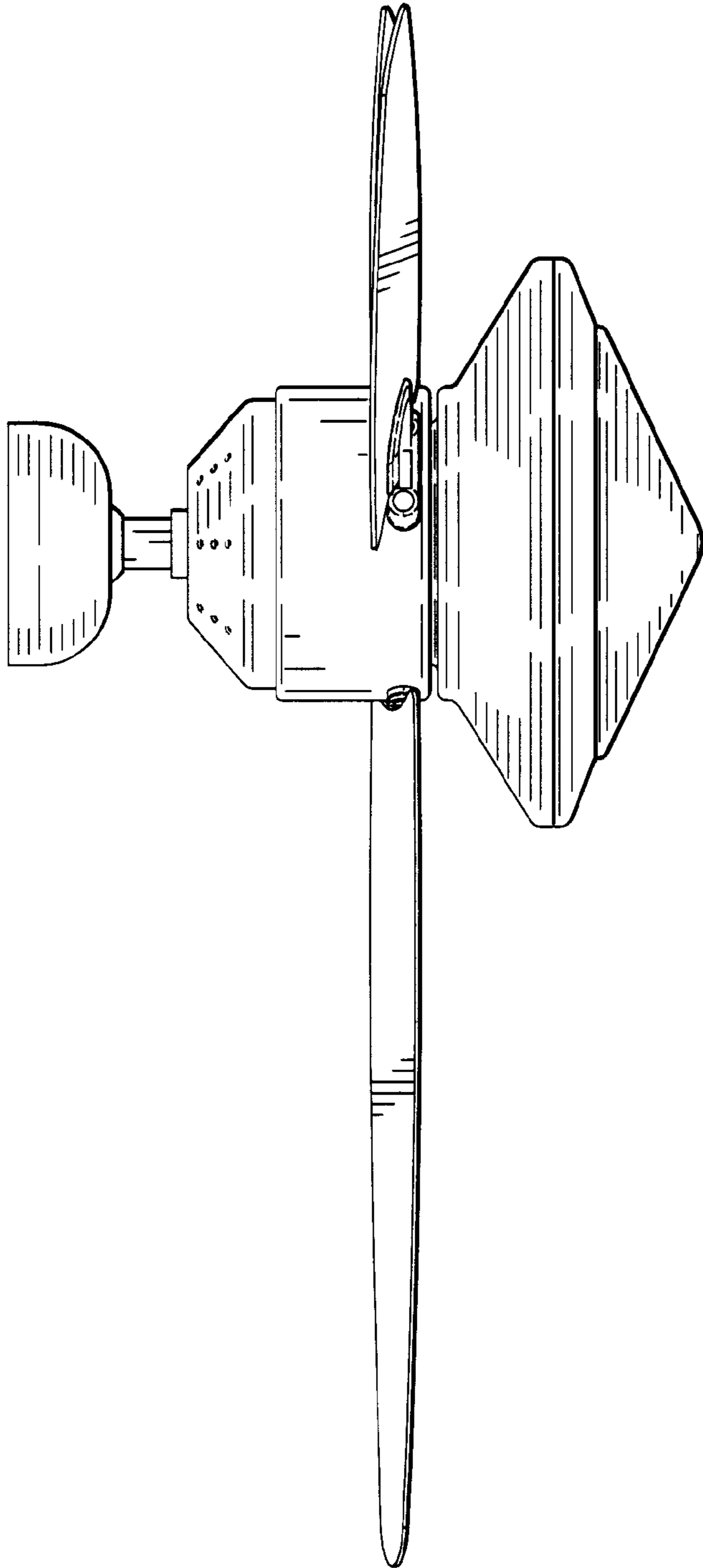


FIG 4

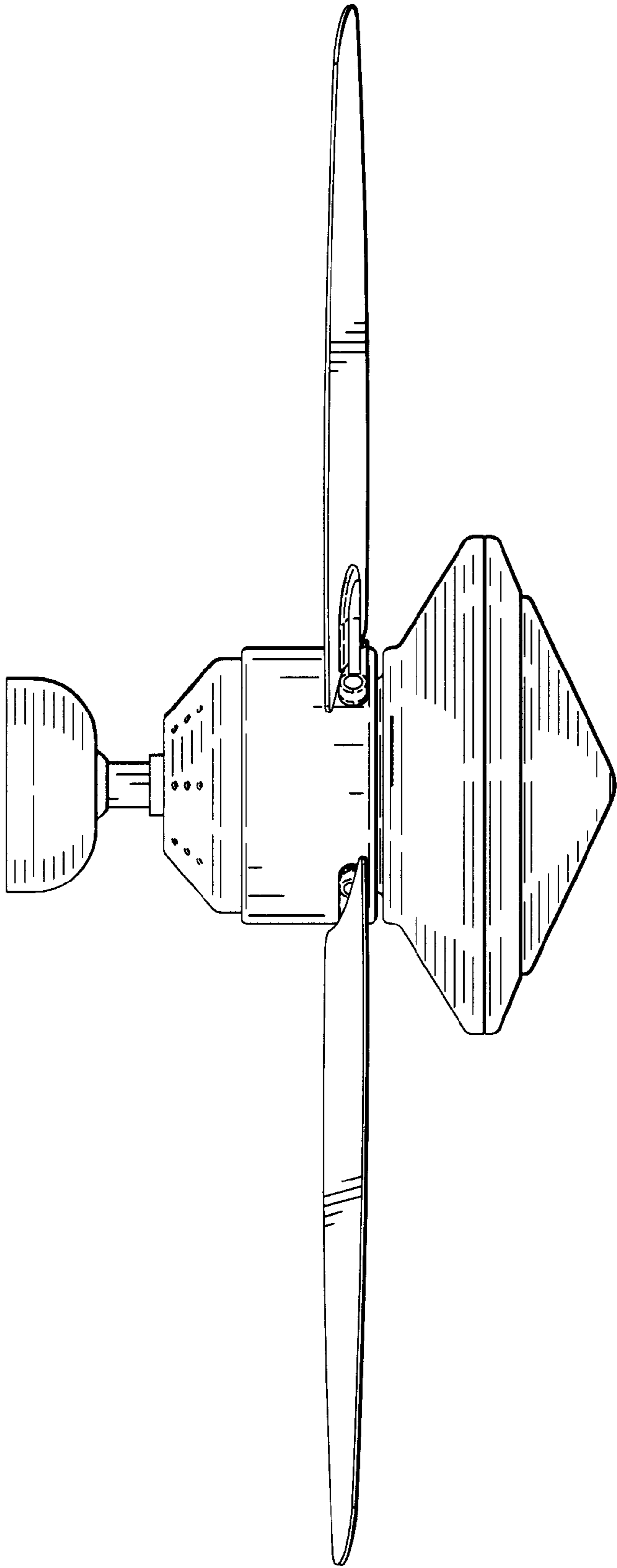


FIG 5

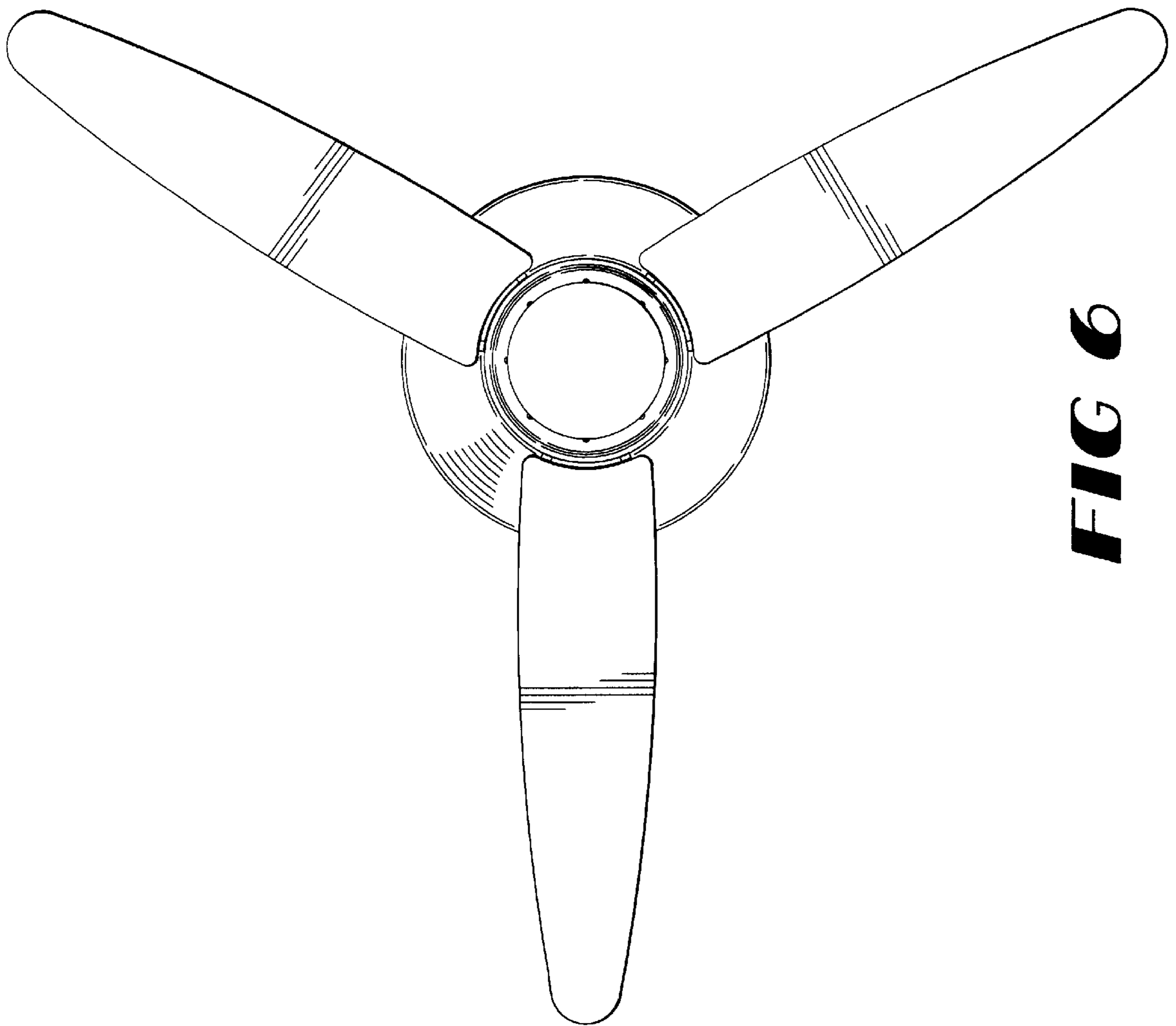


FIG 6

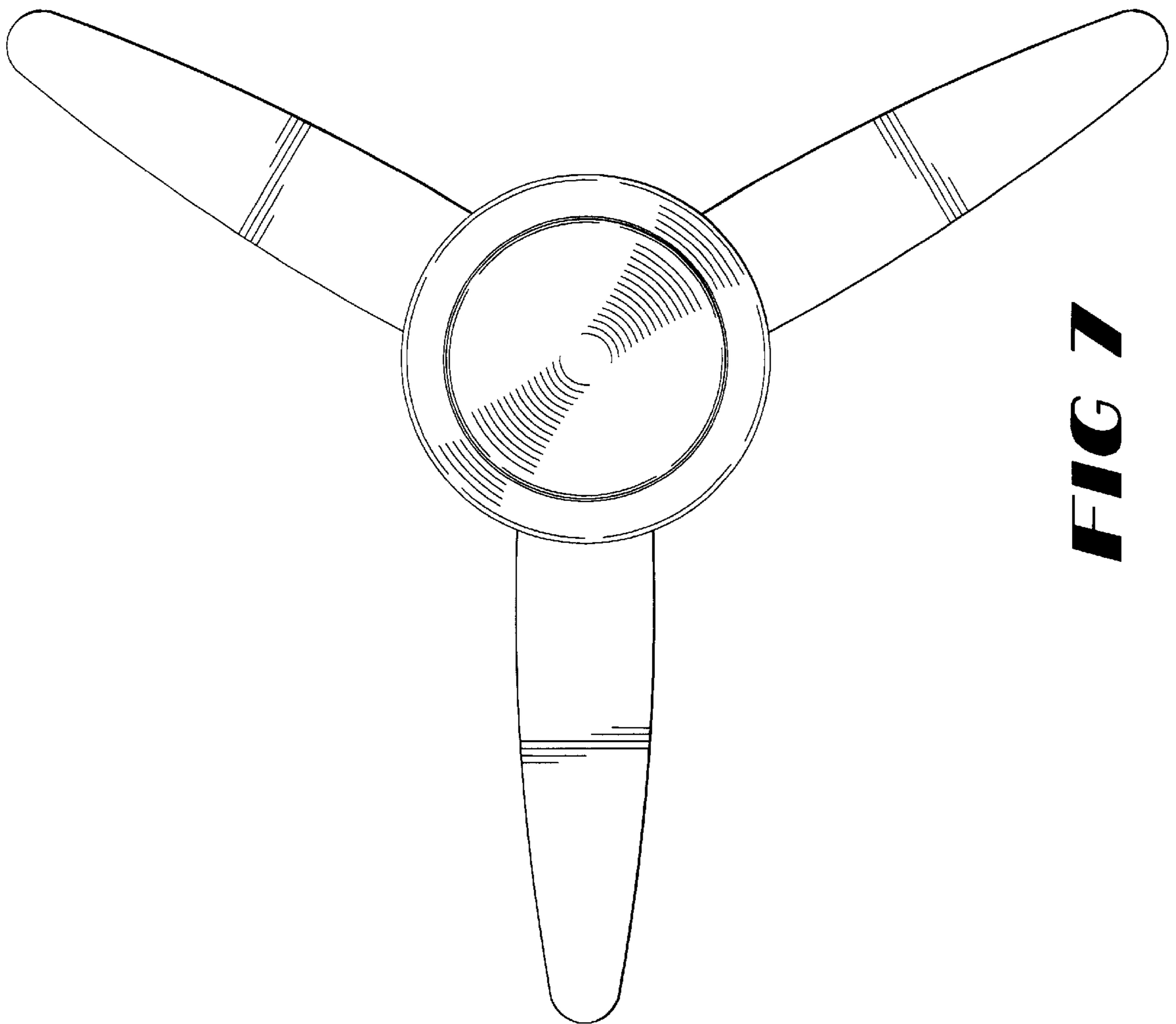


FIG 7

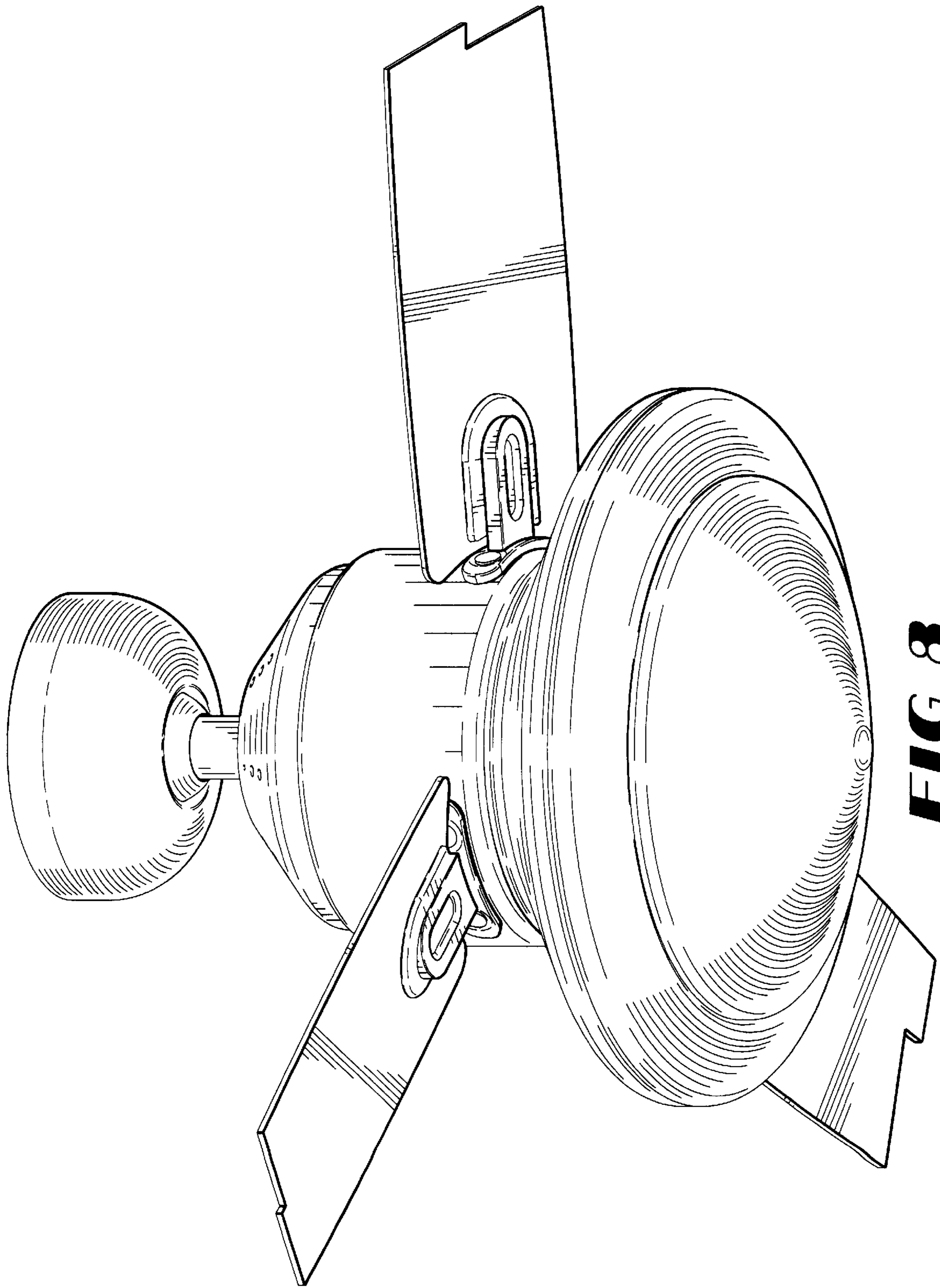


FIG 8