



US00D419659S

United States Patent [19] Yang

[11] Patent Number: **Des. 419,659**

[45] Date of Patent: **** Jan. 25, 2000**

[54] AIR FRESHENER USED ON A CAR

D. 398,976 9/1998 Green D23/367

[75] Inventor: **Ming-Shun Yang**, Taipei, Taiwan

Primary Examiner—Lisa Lichtenstein
Attorney, Agent, or Firm—Erik M. Arnhem

[73] Assignee: **Formosa Saint Jose Corp**, Taipei, Taiwan

[57] **CLAIM**

[**] Term: **14 Years**

The ornamental design for “an air freshener used on a car.” as shown.

[21] Appl. No.: **29/098,170**

DESCRIPTION

[22] Filed: **Dec. 21, 1998**

FIG. 1 is a perspective view of an air freshener used on a car showing my design;

[51] **LOC (7) Cl.** **23-04**

FIG. 2 is a front elevational view thereof;

[52] **U.S. Cl.** **D23/366; D23/368**

FIG. 3 is a rear elevational view thereof;

[58] **Field of Search** **D23/366-369;**
239/52, 53, 57, 34, 60; 261/DIG. 65; 422/305,
120, 5; 416/244 R, 146 R

FIG. 4 is a left side elevational view thereof;

FIG. 5 is a right side elevational view thereof;

[56] **References Cited**

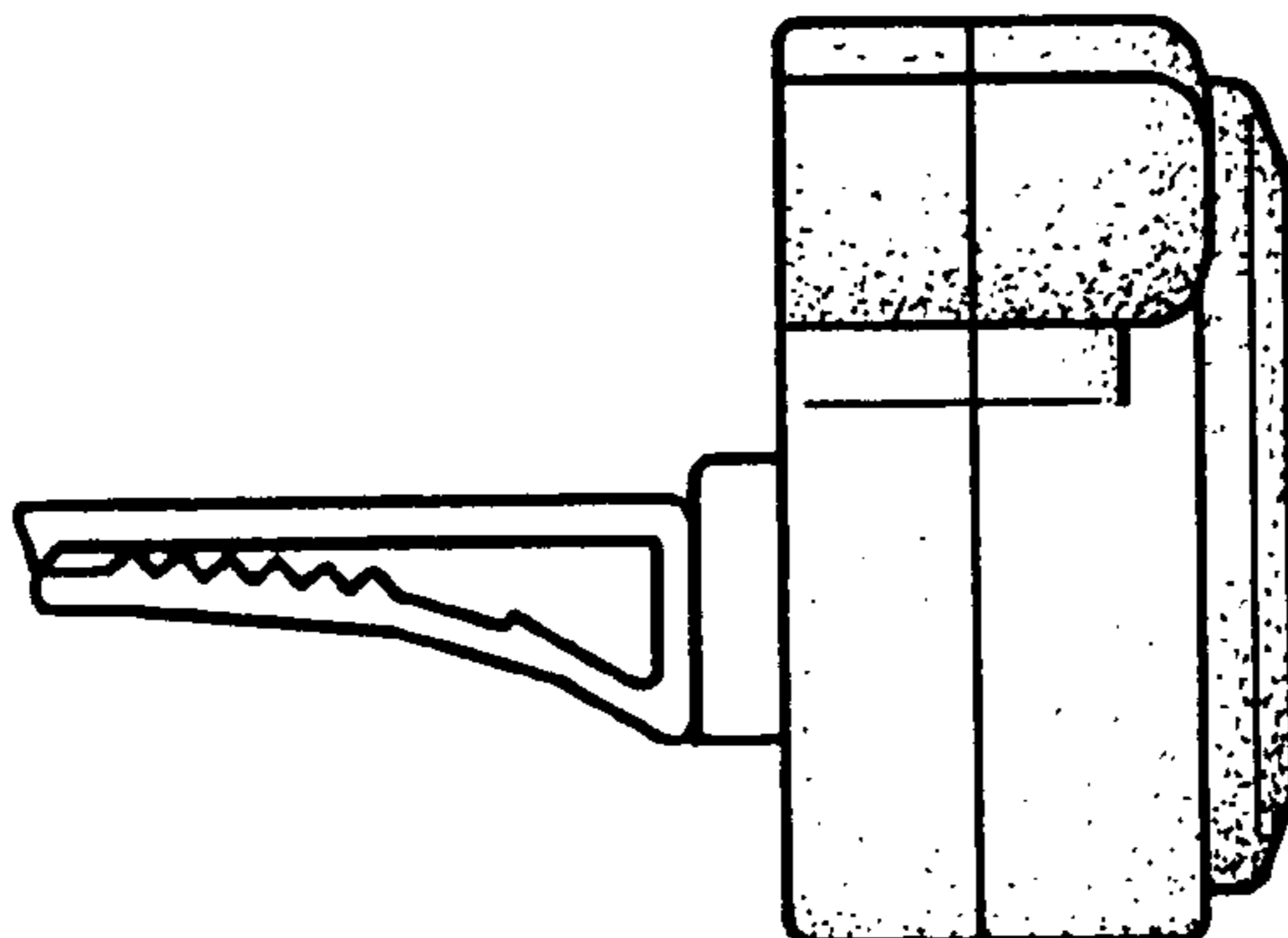
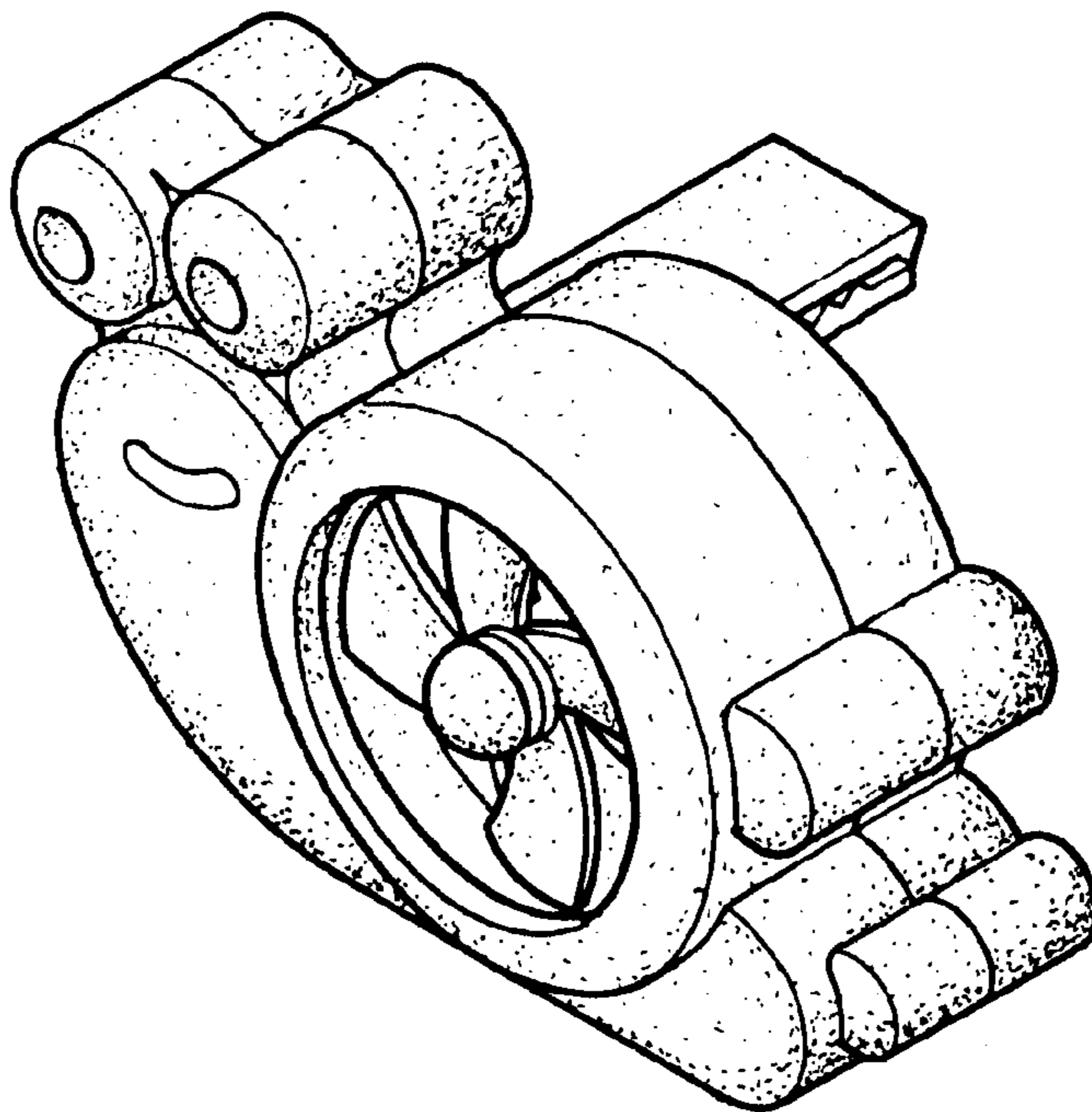
FIG. 6 is a top plan view thereof; and,

FIG. 7 is a bottom plan view thereof.

U.S. PATENT DOCUMENTS

D. 398,047 9/1998 Chen D23/366

1 Claim, 4 Drawing Sheets



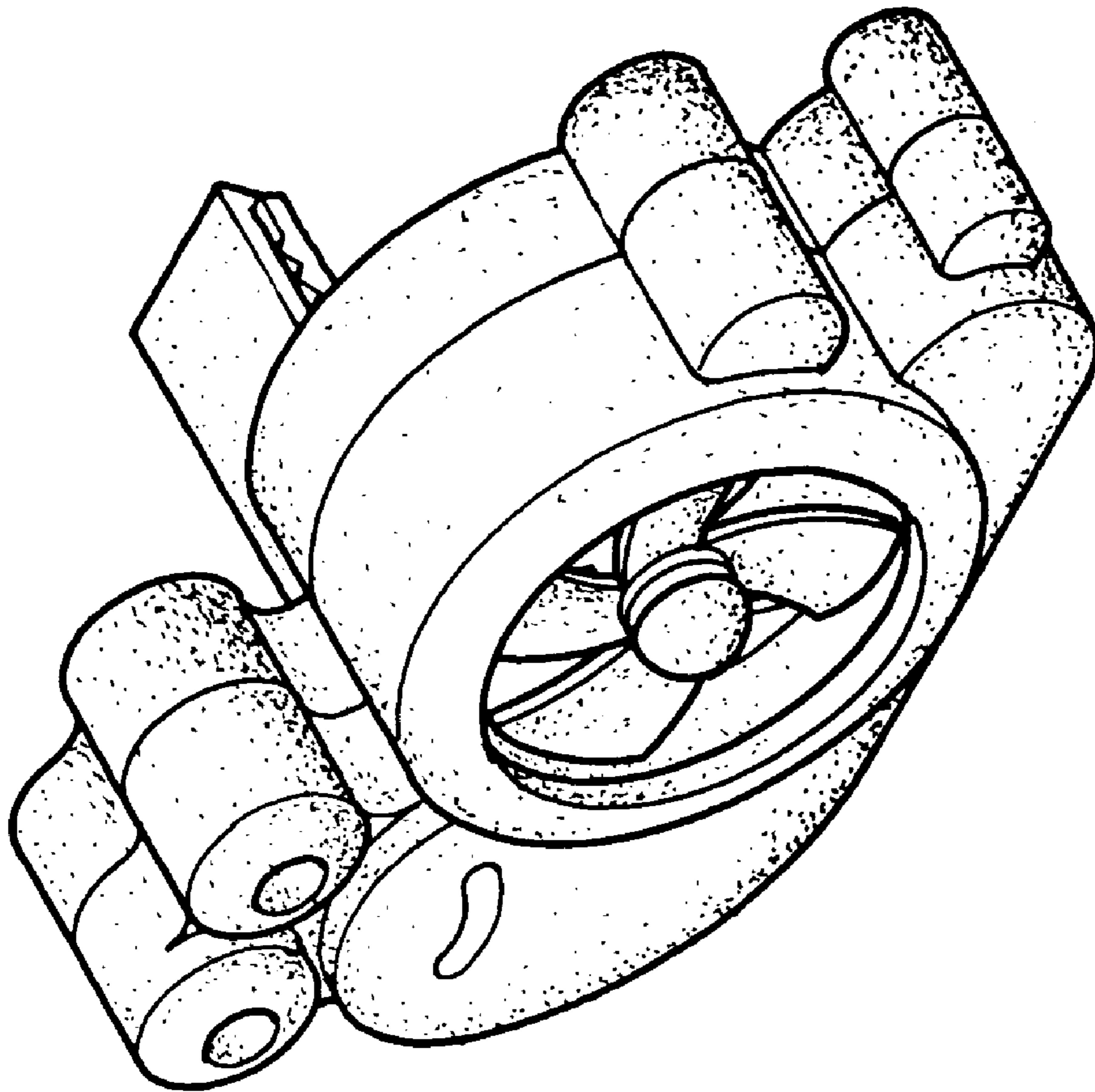


FIG. 1

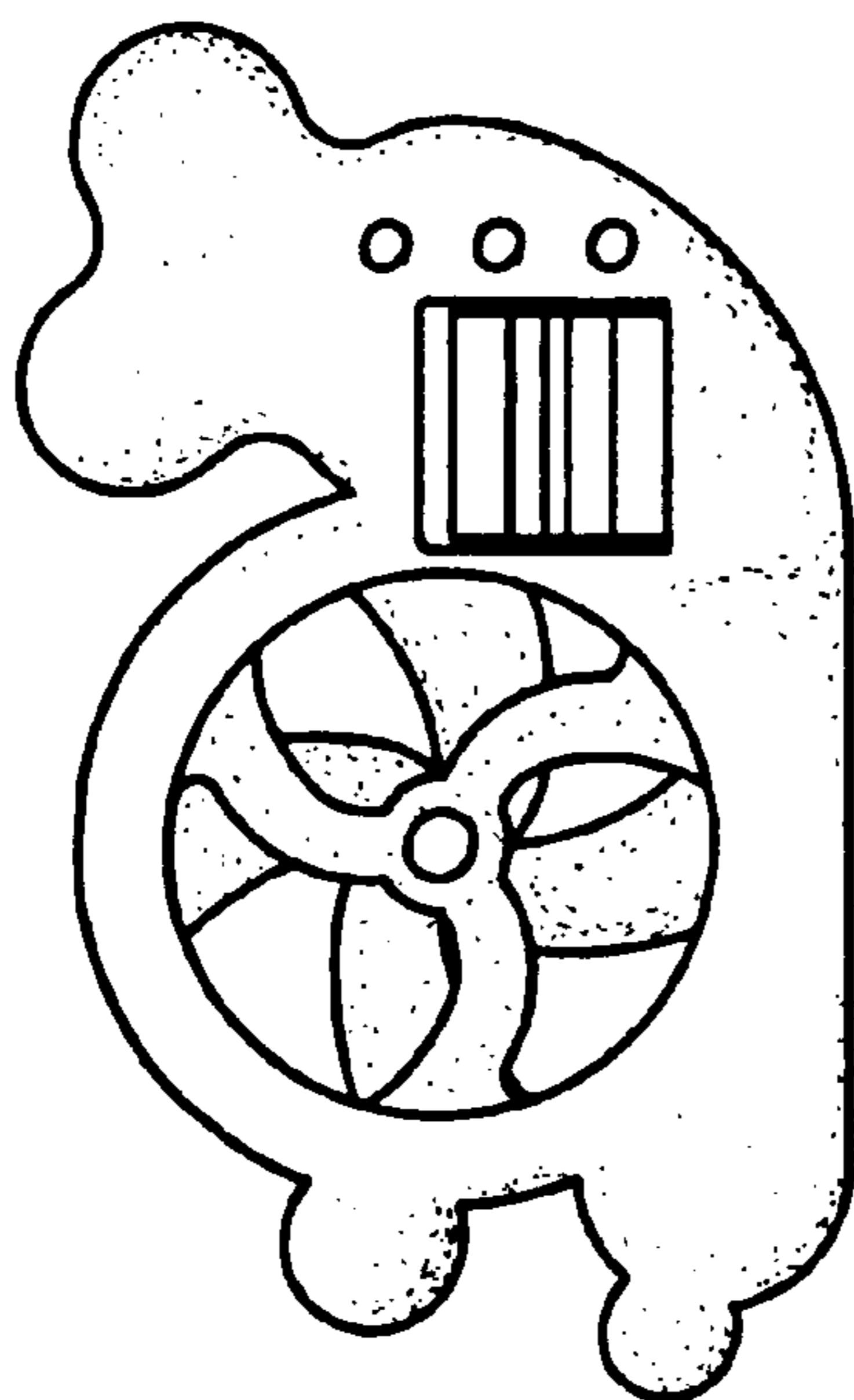


FIG. 3

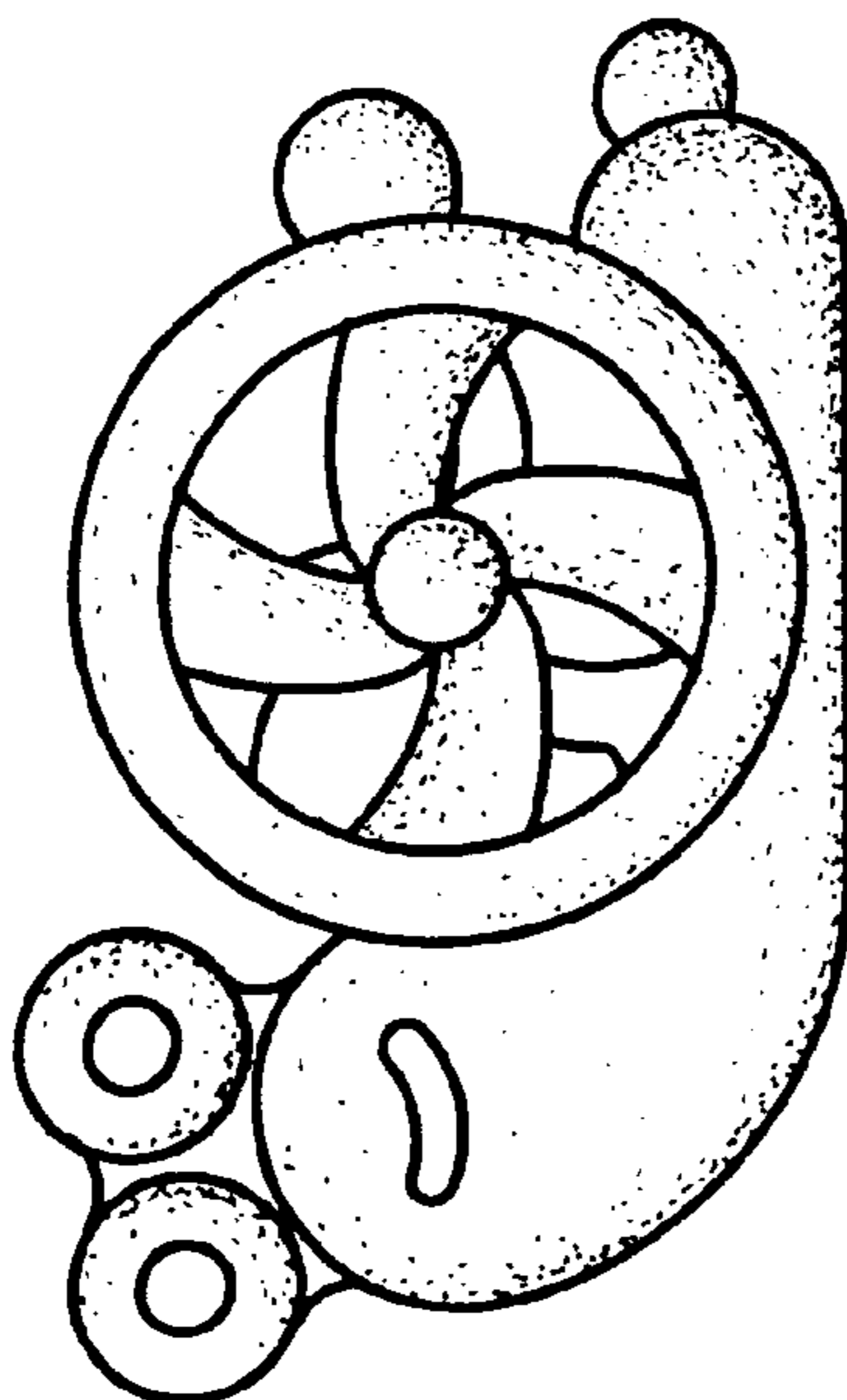


FIG. 2

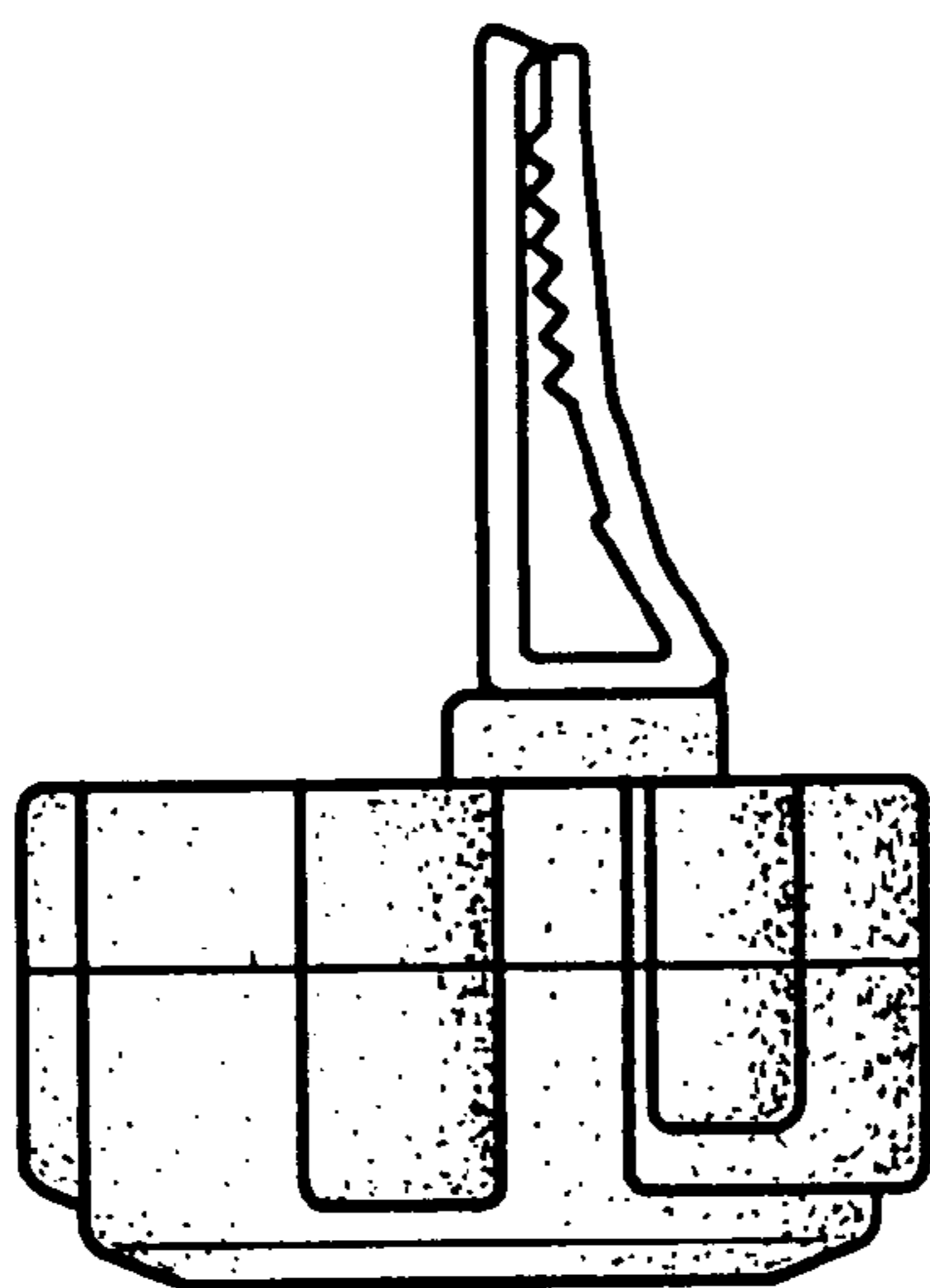


FIG. 5

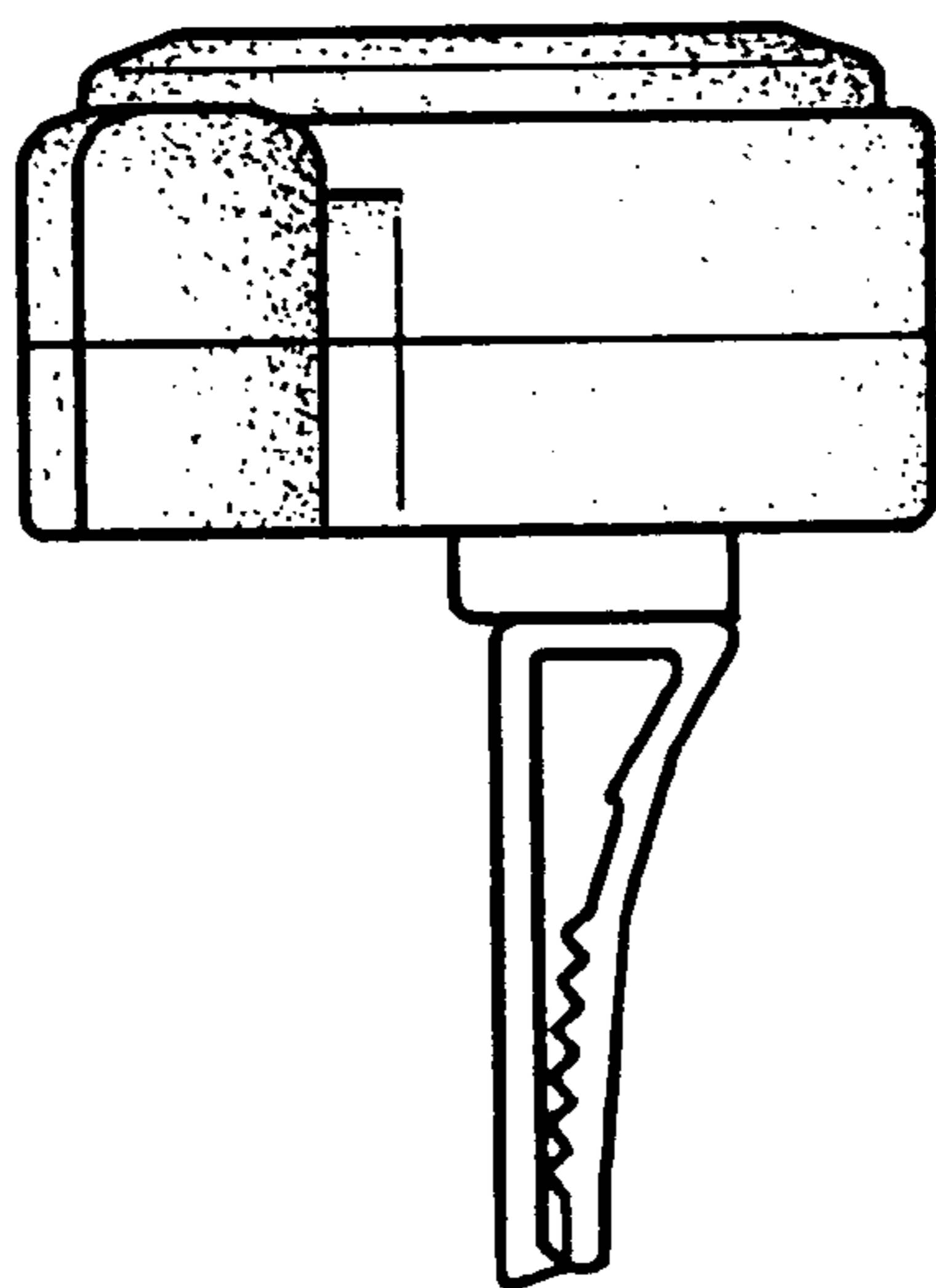


FIG. 4

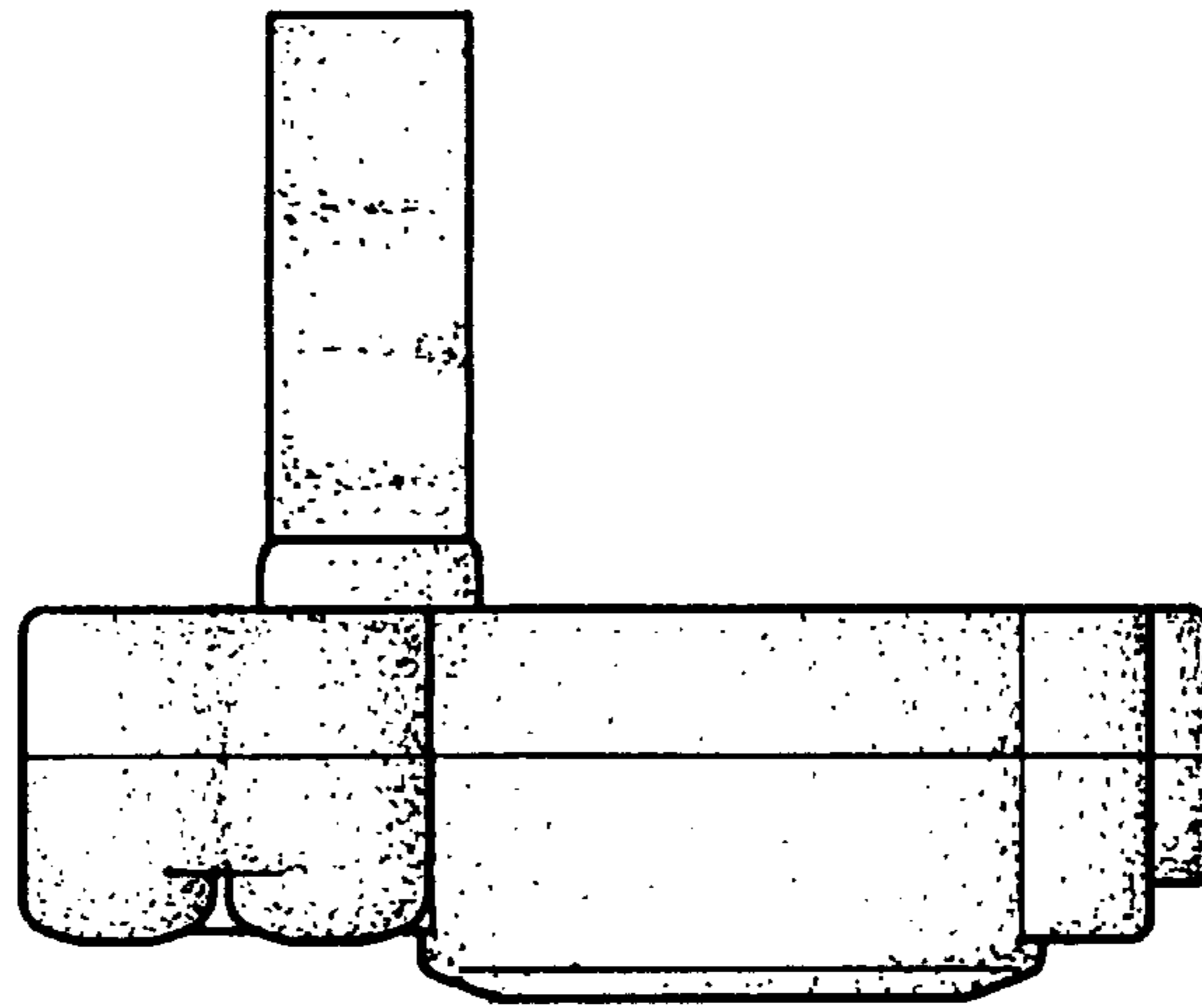


FIG. 6

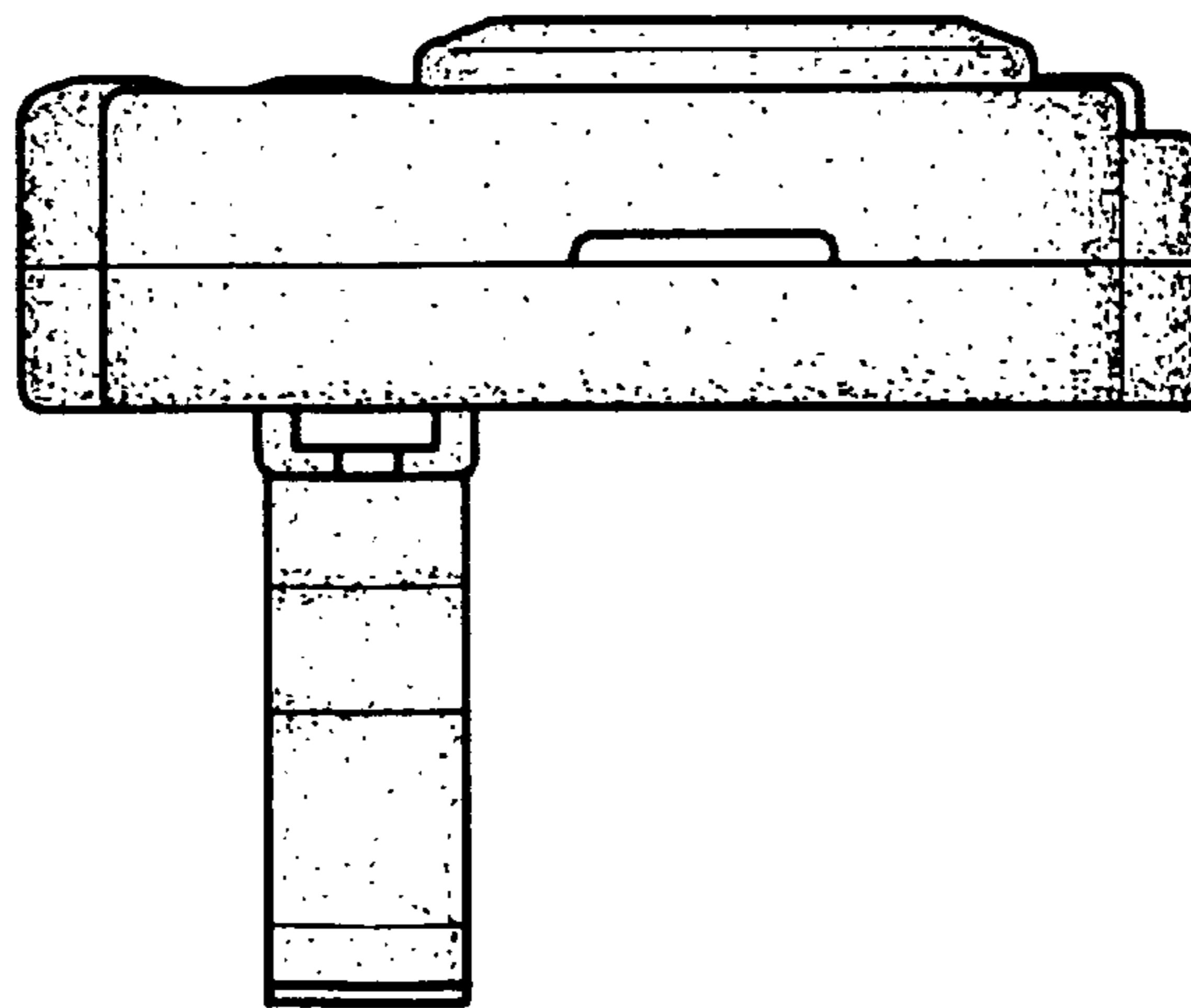


FIG. 7