



US00D419657S

# United States Patent [19]

Piterski et al.

[11] Patent Number: **Des. 419,657**

[45] Date of Patent: **\*\* Jan. 25, 2000**

[54] **CORNER SINK**

[76] Inventors: **Paul J. Piterski; Brahm H. Piterski**,  
both of 737 Bay Vista Blvd. South, St  
Petersburg, Fla. 33705

[\*\*] Term: **14 Years**

[21] Appl. No.: **29/097,105**

[22] Filed: **Nov. 30, 1998**

D. 319,300 8/1991 Stairs, Jr. .... D23/288  
D. 319,494 8/1991 Stairs, Jr. .... D23/288  
D. 366,311 1/1996 Bonnell ..... D23/288

*Primary Examiner*—Eric Watterson  
*Attorney, Agent, or Firm*—David Kiewit

## [57] CLAIM

The ornamental design for a corner sink, as shown.

## DESCRIPTION

FIG. 1 is a perspective view of a corner sink showing our new design.

FIG. 2 is a top plan view of the corner sink of the invention.

FIG. 3 is a bottom plan view thereof.

FIG. 4 is a front elevational view thereof.

FIG. 5 is a rear elevational view thereof.

FIG. 6 is a left side elevational view thereof; and,

FIG. 7 is a right side elevational view thereof.

The broken line showing is for illustrative purposes only and forms no part of the claimed design.

## Related U.S. Application Data

[63] Continuation-in-part of application No. 29/094,889, Oct. 13, 1998, abandoned.

[51] **LOC (7) Cl.** ..... **23-02**

[52] **U.S. Cl.** ..... **D23/288**

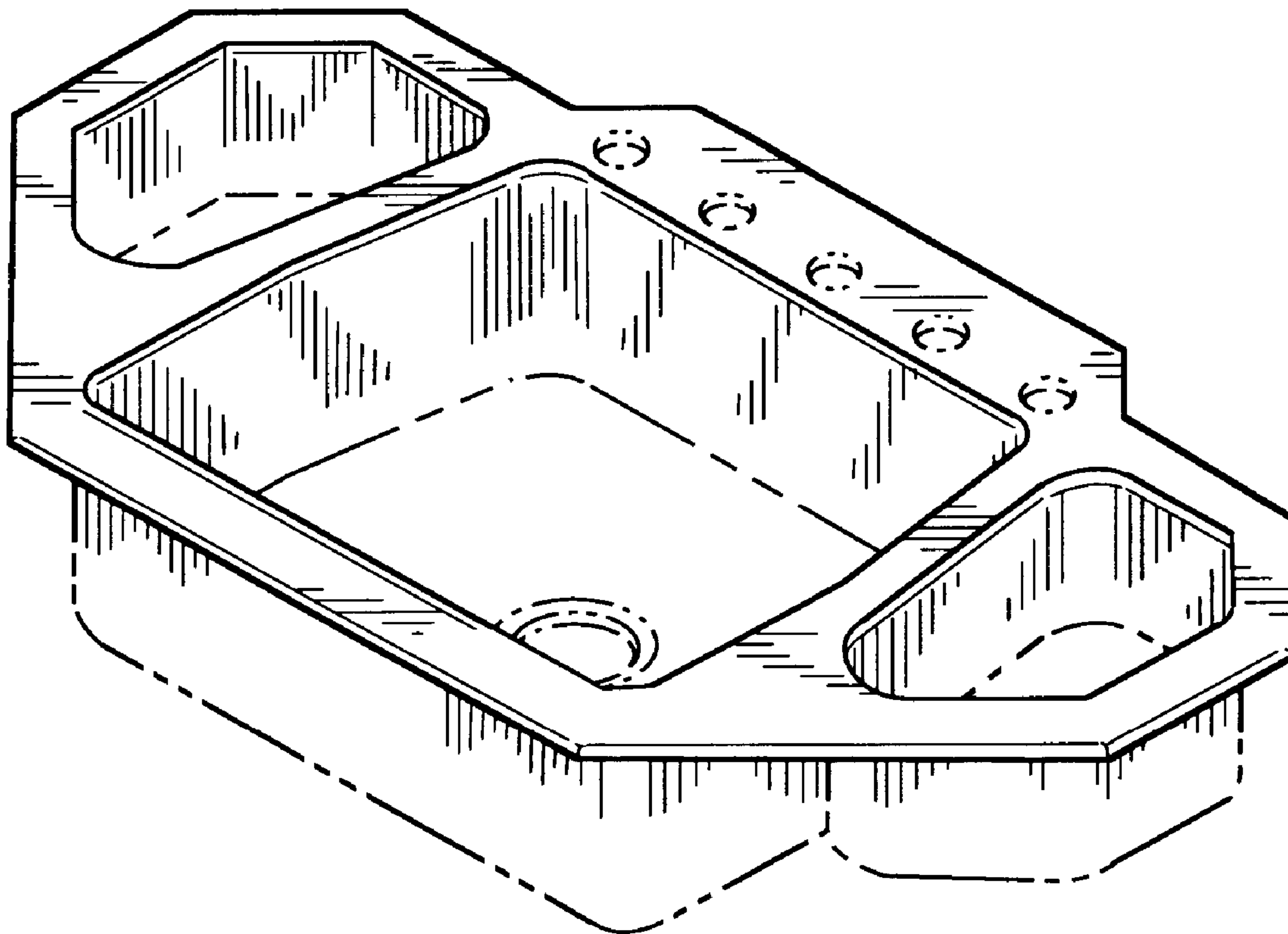
[58] **Field of Search** ..... D23/284–293.1;  
4/619, 624, 625, 629, 638–642, 646, 650

## [56] References Cited

### U.S. PATENT DOCUMENTS

D. 318,522 7/1991 Yvetot ..... D23/288

**1 Claim, 3 Drawing Sheets**



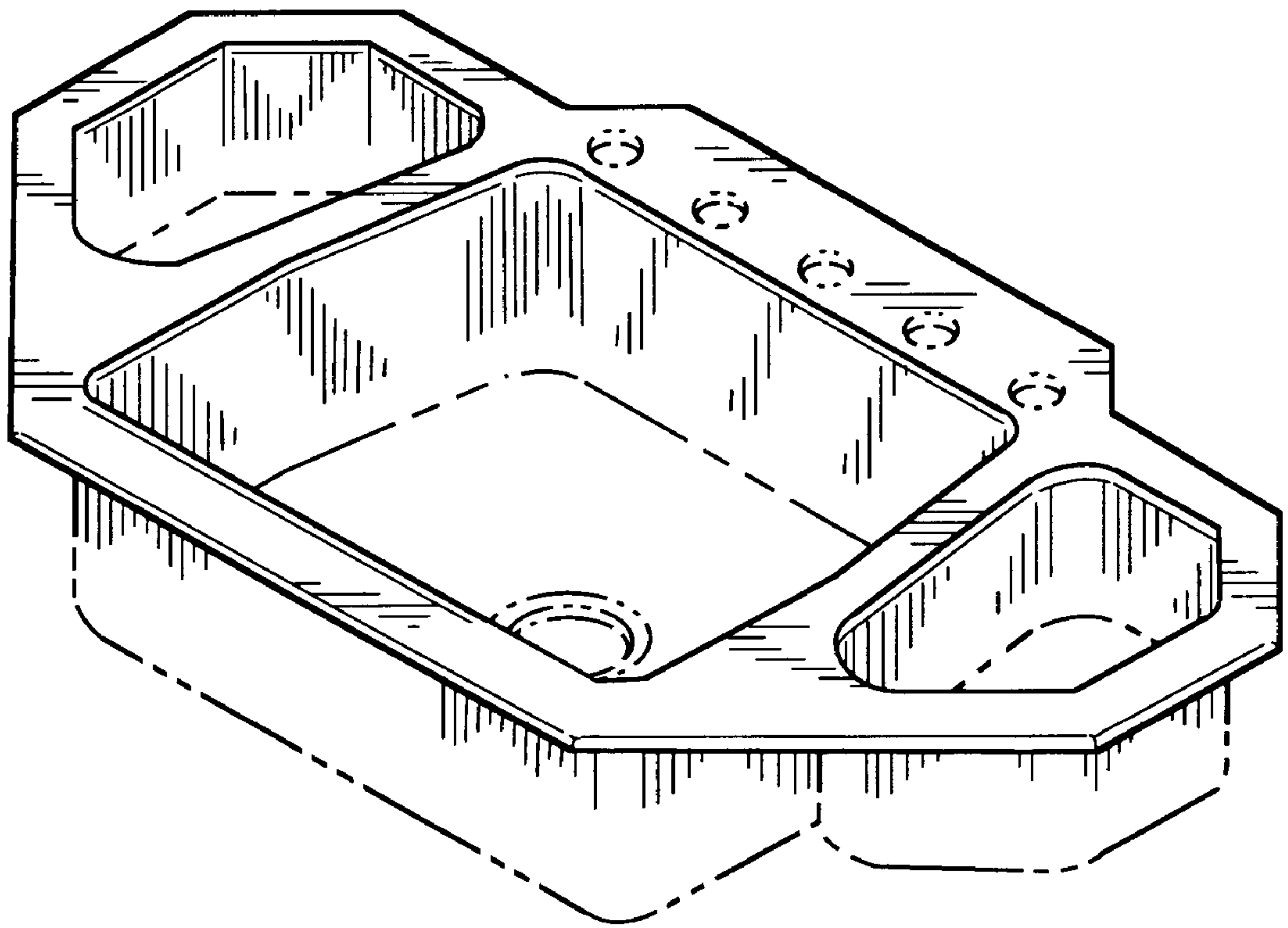


FIG. 1

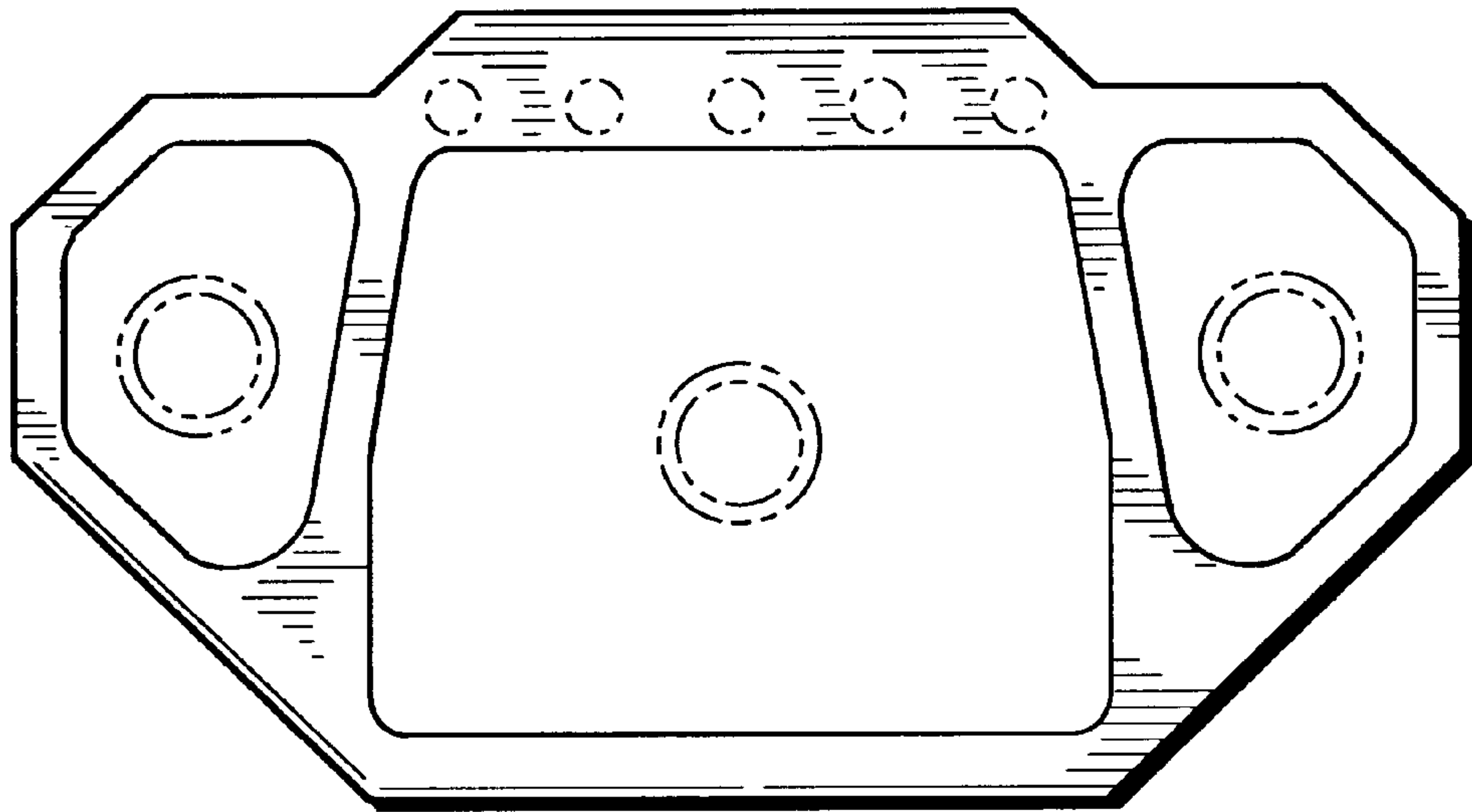


FIG. 2

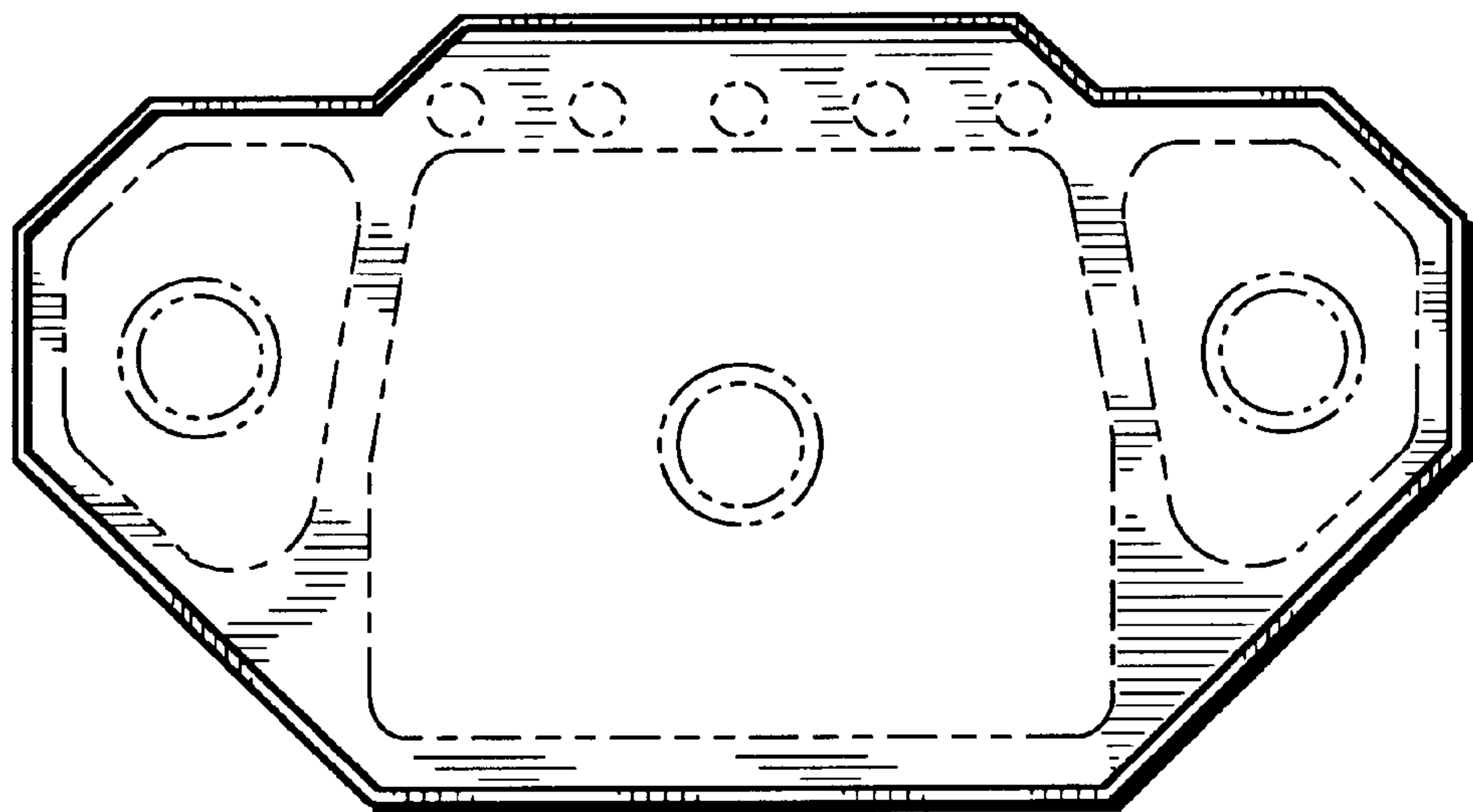


FIG. 3

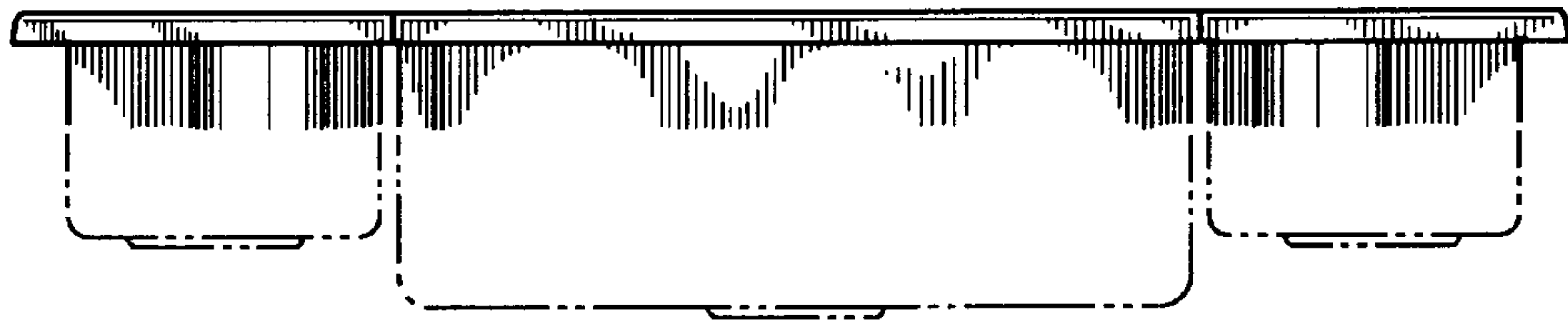


FIG. 4

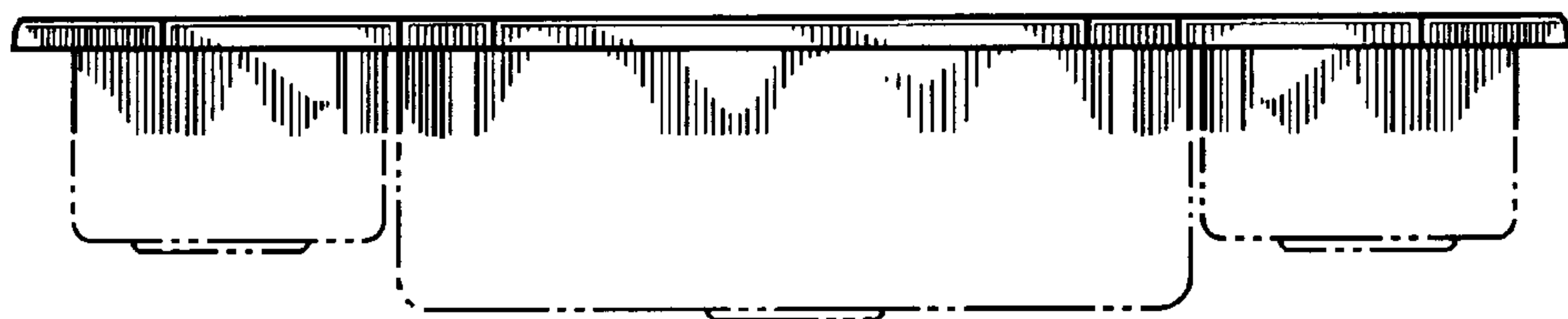


FIG. 5



FIG. 6



FIG. 7