



US00D419656S

**United States Patent** [19]  
**Lindholm**

[11] **Patent Number: Des. 419,656**  
[45] **Date of Patent: \*\* Jan. 25, 2000**

[54] **SINK BASIN**

D. 387,857 12/1997 McKeone ..... D23/284  
D. 391,353 2/1998 McKeone ..... D23/284  
D. 394,307 5/1998 Wagner ..... D23/285

[76] Inventor: **Jon Lindholm**, c/o Studio Lindholm,  
The Tower Bldg., 1608 N. Milwaukee  
Ave., Chicago, Ill. 60647

[\*\*] Term: **14 Years**

*Primary Examiner*—Eric Watterson  
*Attorney, Agent, or Firm*—Brian M. Mattson; Patents &  
TMS, P.C.

[21] Appl. No.: **29/099,244**

[57] **CLAIM**

[22] Filed: **Jan. 19, 1999**

The ornamental design for a sink basin, as shown.

[51] **LOC (7) Cl.** ..... **23-02**

**DESCRIPTION**

[52] **U.S. Cl.** ..... **D23/285**

FIG. 1 is a top perspective view of a sink basin, showing my  
new design;

[58] **Field of Search** ..... D23/284–293.1;  
4/619, 624, 625, 626, 638–650

FIG. 2 is front view thereof;

FIG. 3 is a rear view thereof;

FIG. 4 is a top plan view thereof;

FIG. 5 is a right side view thereof; and,

FIG. 6 is a left side view thereof.

[56] **References Cited**

**U.S. PATENT DOCUMENTS**

D. 243,325 2/1977 Krause et al. .... D23/285  
D. 319,682 9/1991 Sharp et al. .... D23/201  
D. 326,903 6/1992 Reid ..... D23/284  
D. 347,053 5/1994 Reid ..... D23/285  
D. 375,543 11/1996 Wagner ..... D23/285

The broken line showing is for illustrative purposes only and  
forms no part of the claimed design.

**1 Claim, 2 Drawing Sheets**

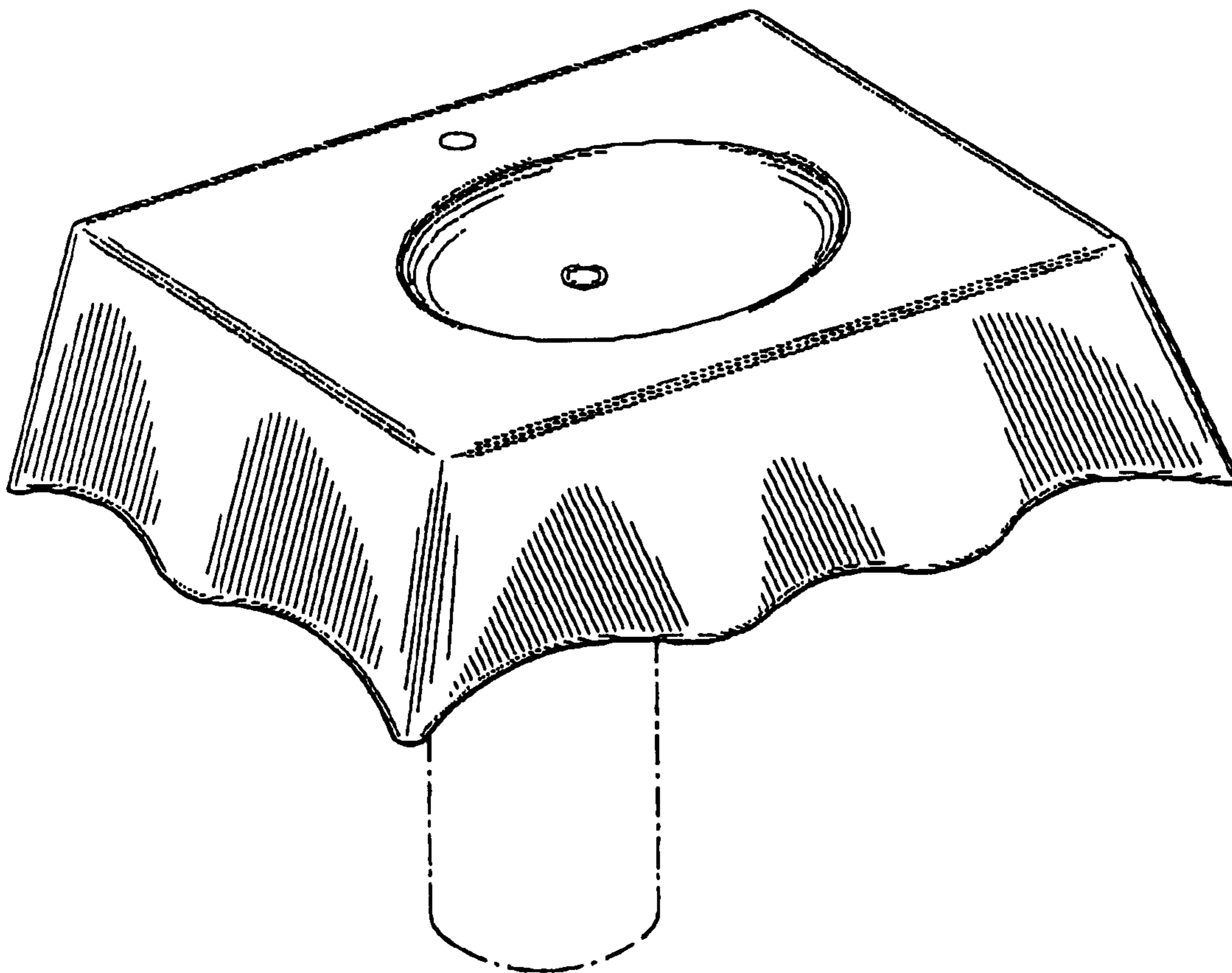


FIG.1

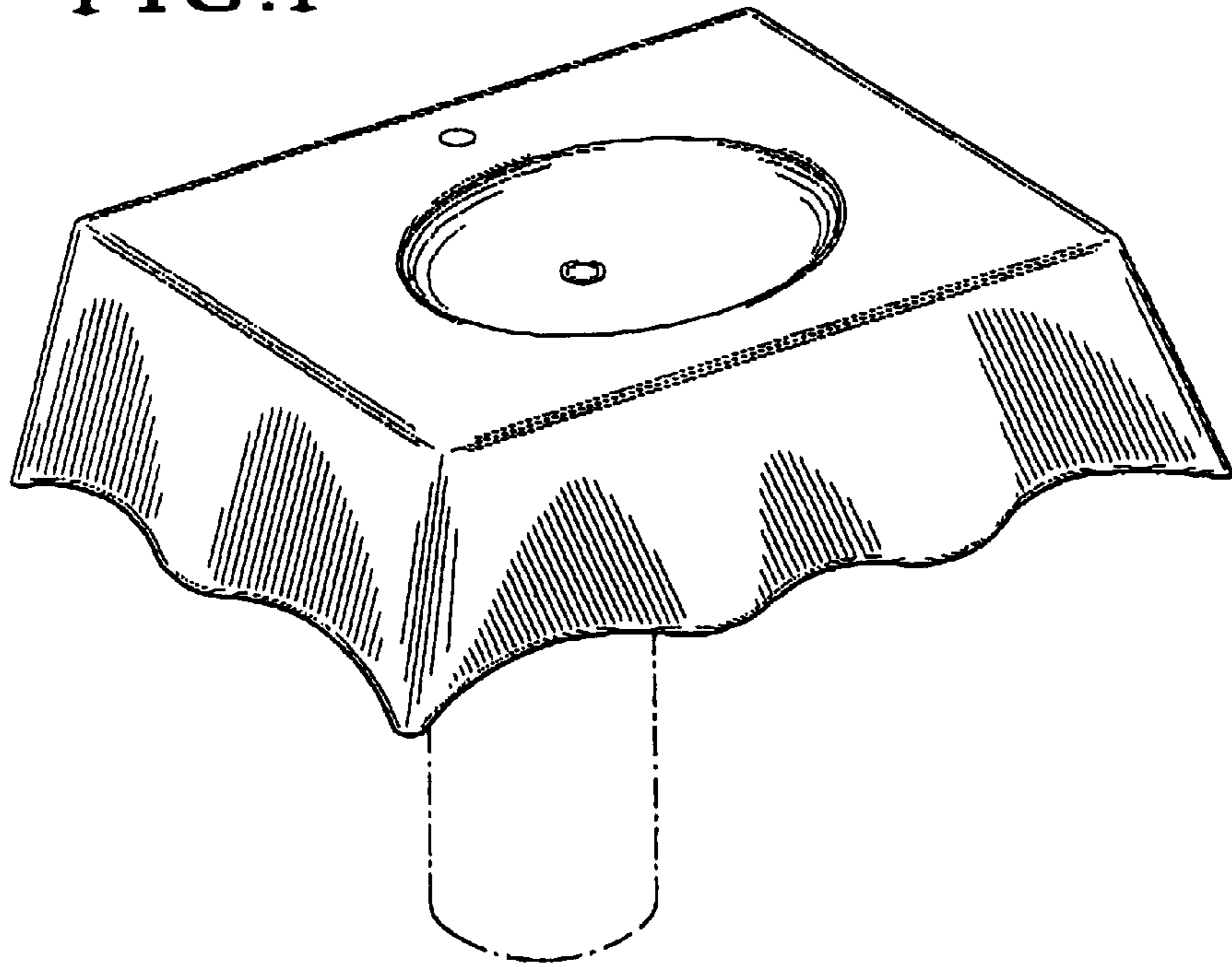


FIG.2

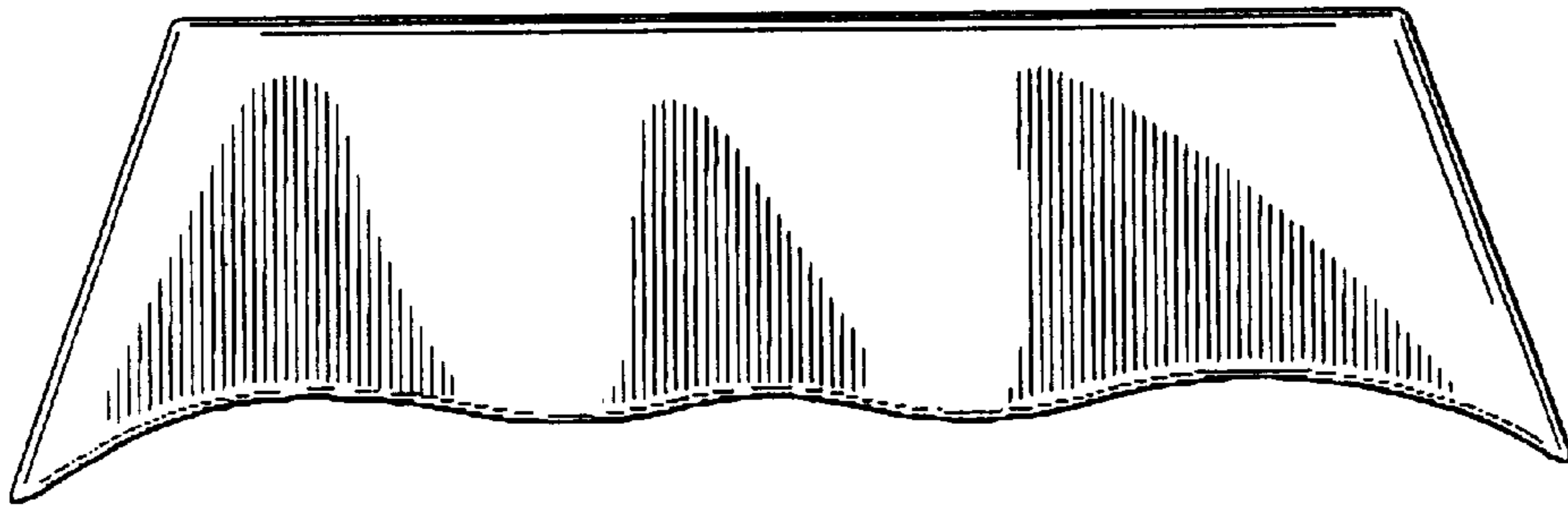


FIG.3

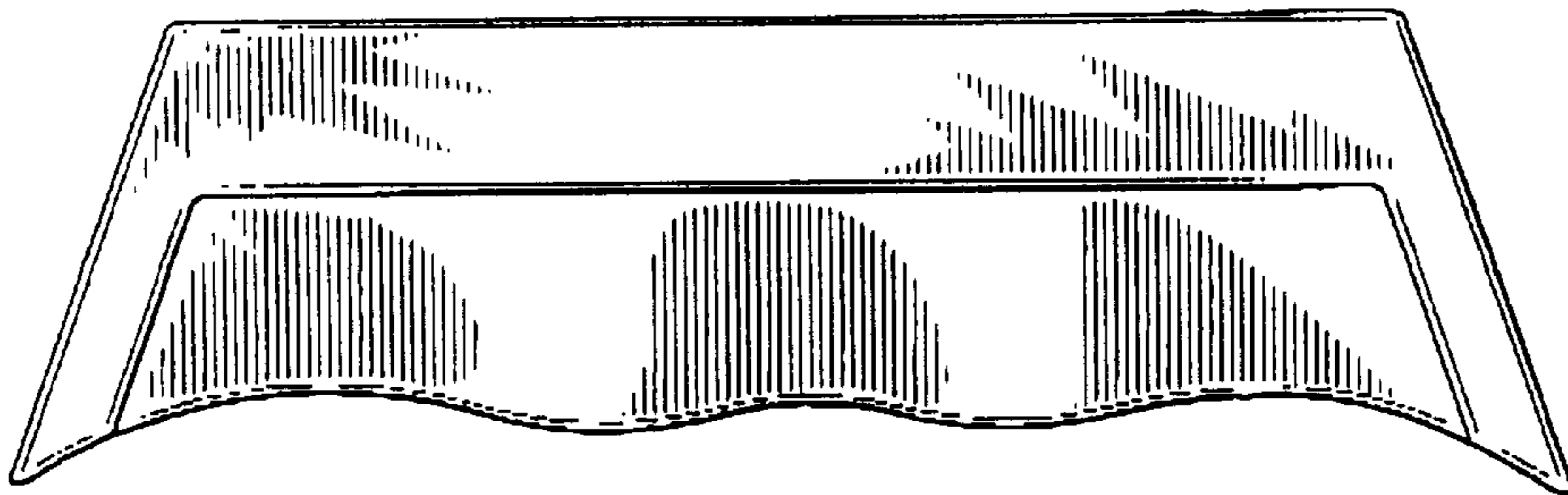


FIG. 4

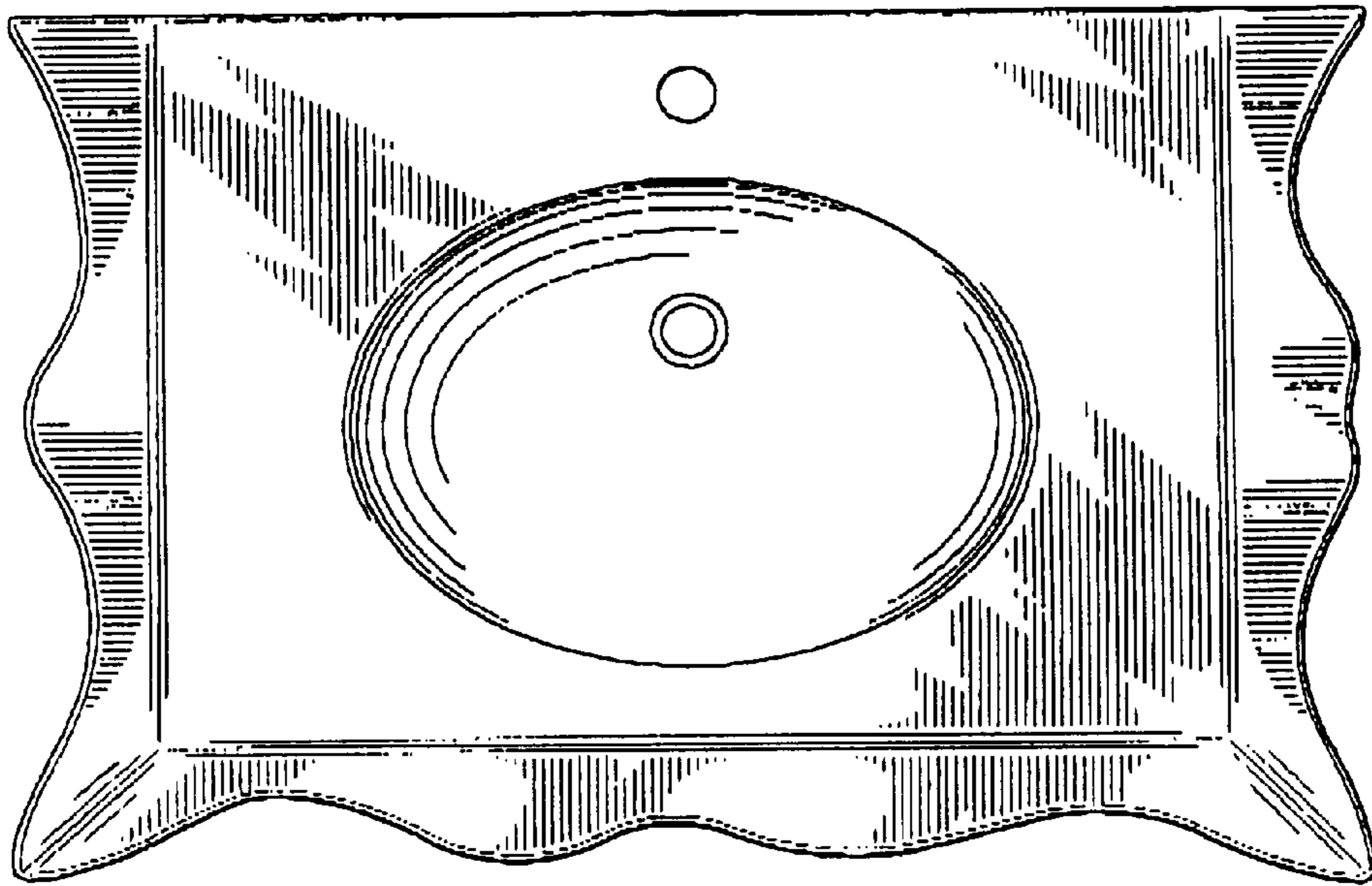


FIG. 5

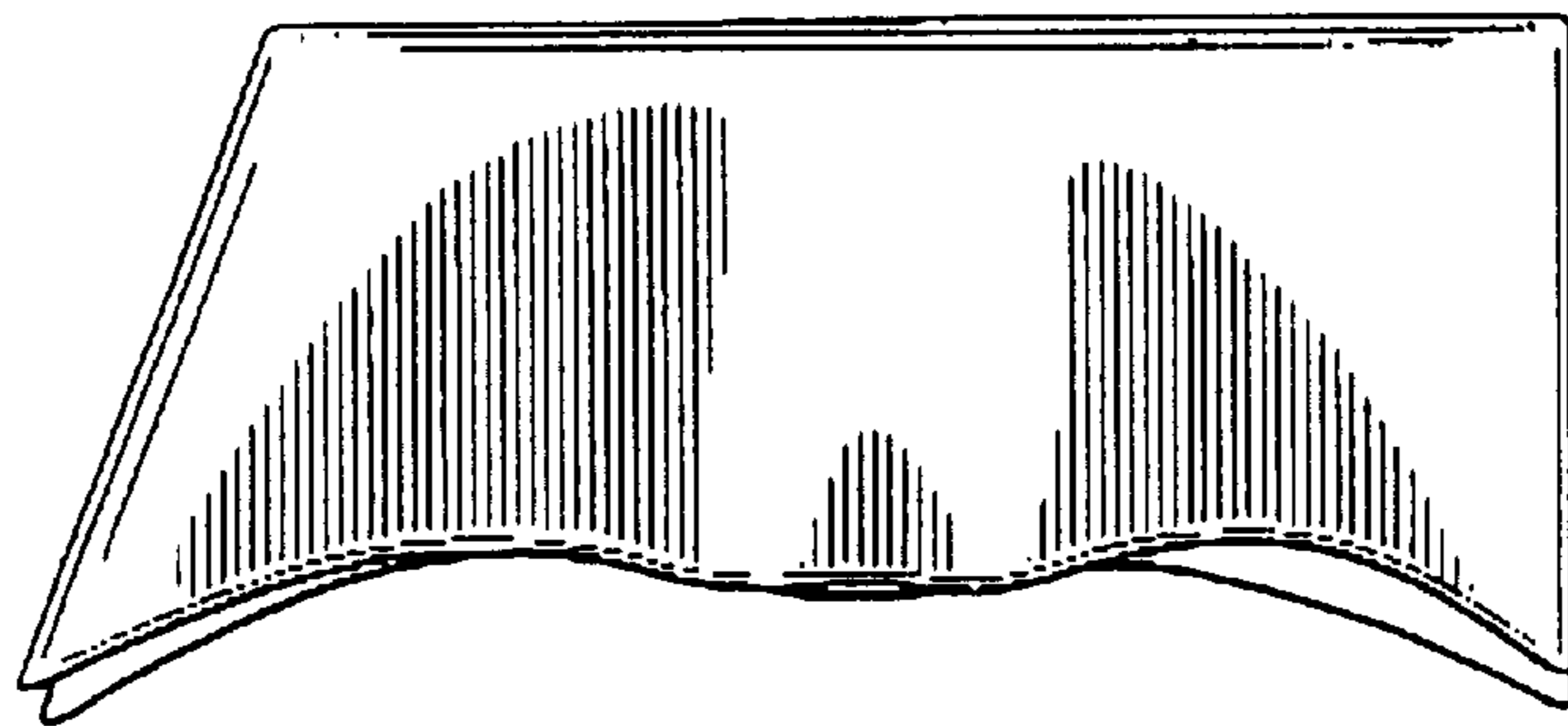


FIG. 6

