



US00D419650S

United States Patent [19]

Lord

[11] Patent Number: **Des. 419,650**

[45] Date of Patent: **** *Jan. 25, 2000**

[54] **HIGH RISE PULL-OUT SPRAY FAUCET BODY**

[75] Inventor: **Judd A. Lord**, Carmel, Ind.

[73] Assignee: **Masco Corporation of Indiana**, Indianapolis, Ind.

[*] Notice: This patent is subject to a terminal disclaimer.

[**] Term: **14 Years**

[21] Appl. No.: **29/092,678**

[22] Filed: **Aug. 25, 1998**

[51] **LOC (7) Cl.** **23-01**

[52] **U.S. Cl.** **D23/255**

[58] **Field of Search** D23/238-243, D23/250-257; 4/675-678; 137/801

[56] References Cited

U.S. PATENT DOCUMENTS

- D. 213,874 4/1969 Landell .
- D. 219,779 1/1971 Tiller .
- D. 290,492 6/1987 Hill et al. .
- D. 290,992 7/1987 Hill et al. .
- D. 291,117 7/1987 Ryan .
- D. 293,601 1/1988 Hill et al. .
- D. 323,877 2/1992 Haug et al. .
- D. 331,796 12/1992 Spangler .
- D. 352,766 11/1994 Hill et al. .
- D. 360,931 8/1995 Mark et al. .
- D. 363,536 10/1995 Hill et al. .
- D. 364,211 11/1995 Hill et al. .
- D. 364,218 11/1995 Hill et al. .
- D. 364,219 11/1995 Hill et al. .
- D. 364,220 11/1995 Hill et al. .
- D. 366,099 1/1996 Hill et al. .
- D. 367,697 3/1996 Haug et al. .
- D. 367,699 3/1996 Hill et al. .
- D. 367,701 3/1996 Hill et al. .
- D. 367,920 3/1996 Hill et al. .
- D. 368,764 4/1996 Hill et al. .

- D. 368,958 4/1996 Hill et al. .
- D. 388,156 12/1997 Hill et al. .
- D. 399,927 10/1998 Doughty et al. D23/255

OTHER PUBLICATIONS

Delta Full Line Catalog, pp. 4, 5, 1994.
Delta Catalog, "The Way Water is Brought to Life", 2 pages, 1991.

Primary Examiner—Eric Watterson
Attorney, Agent, or Firm—Myron B. Kapustij; Lloyd D. Doigan

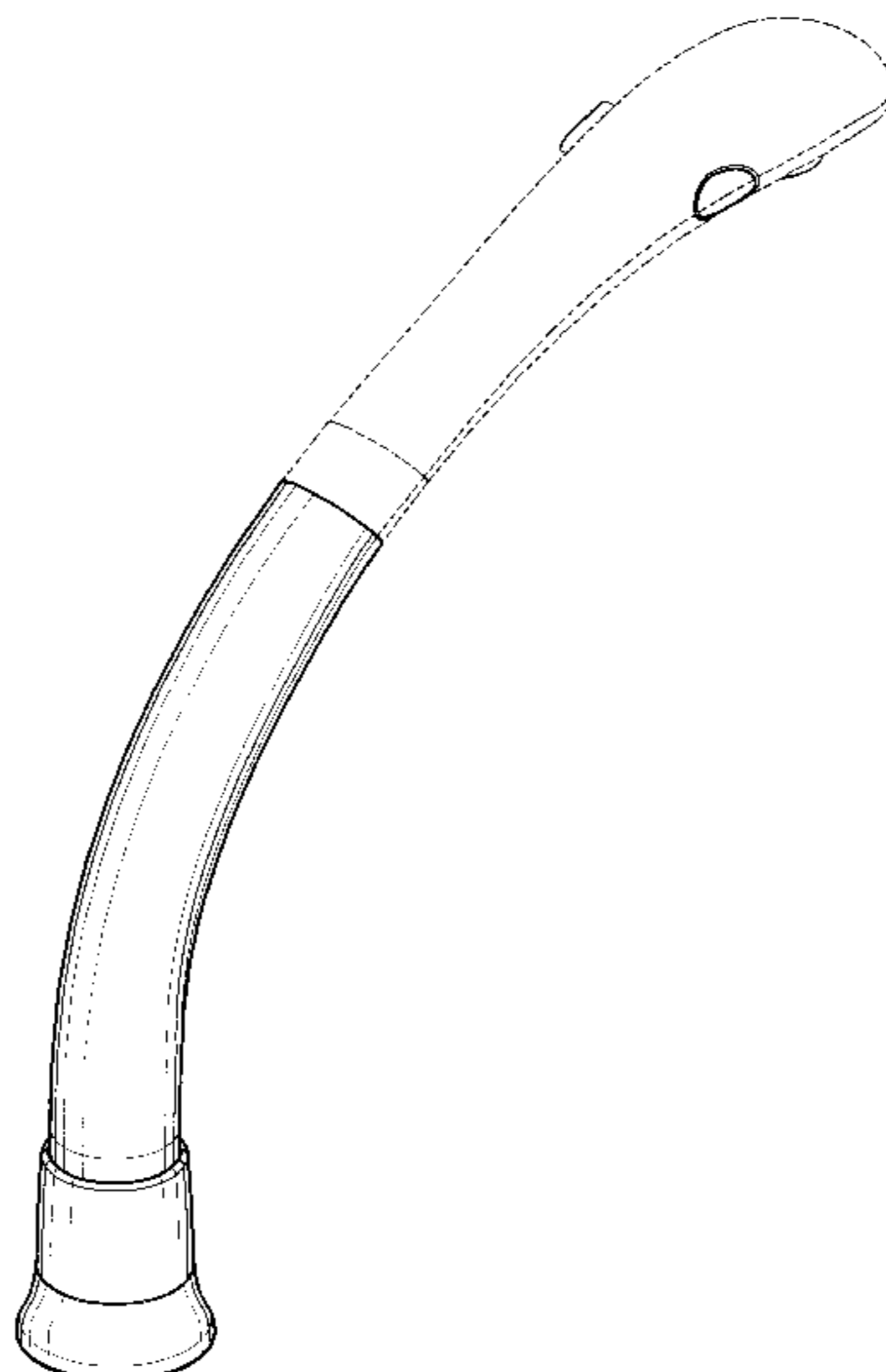
[57] CLAIM

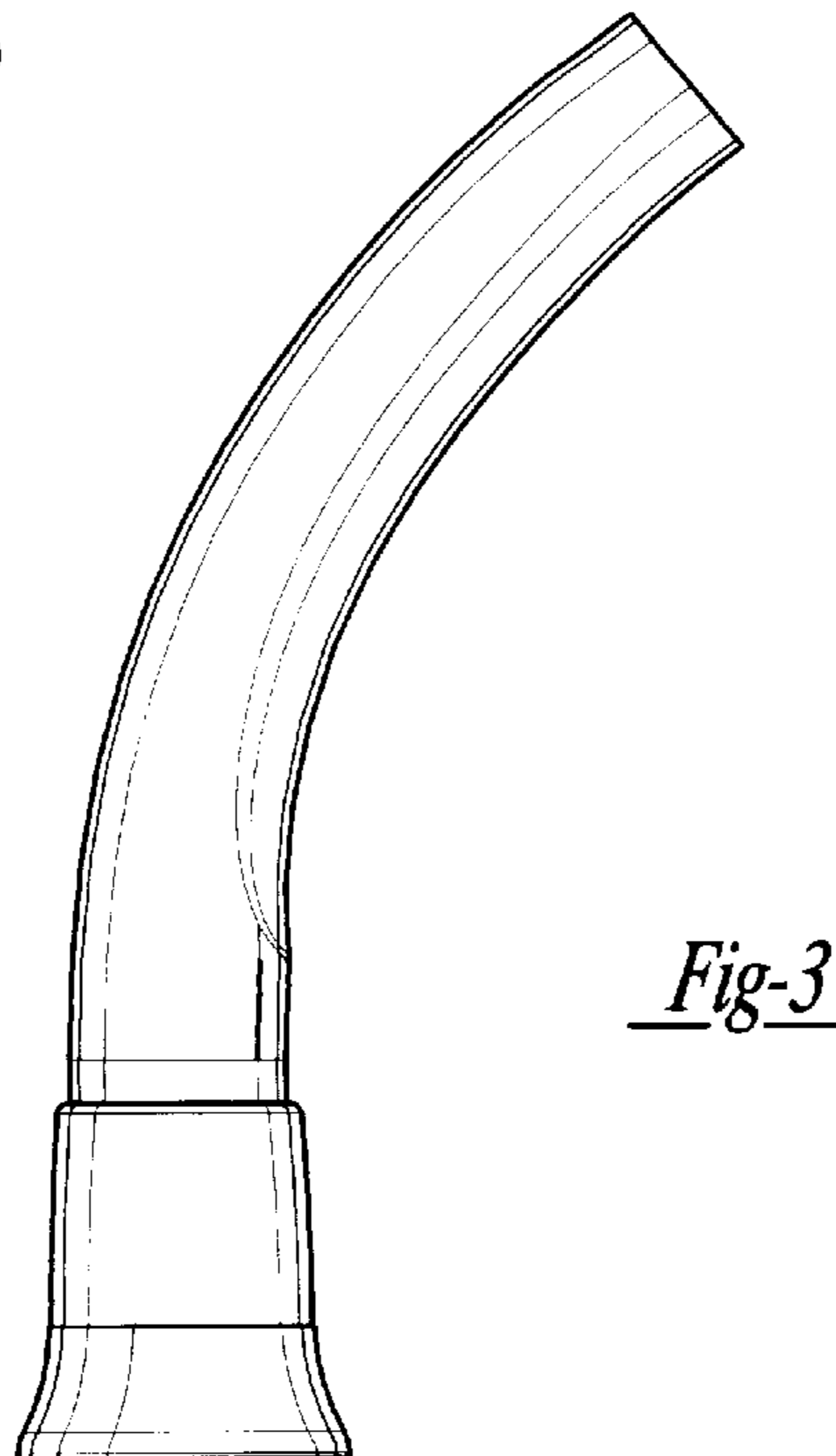
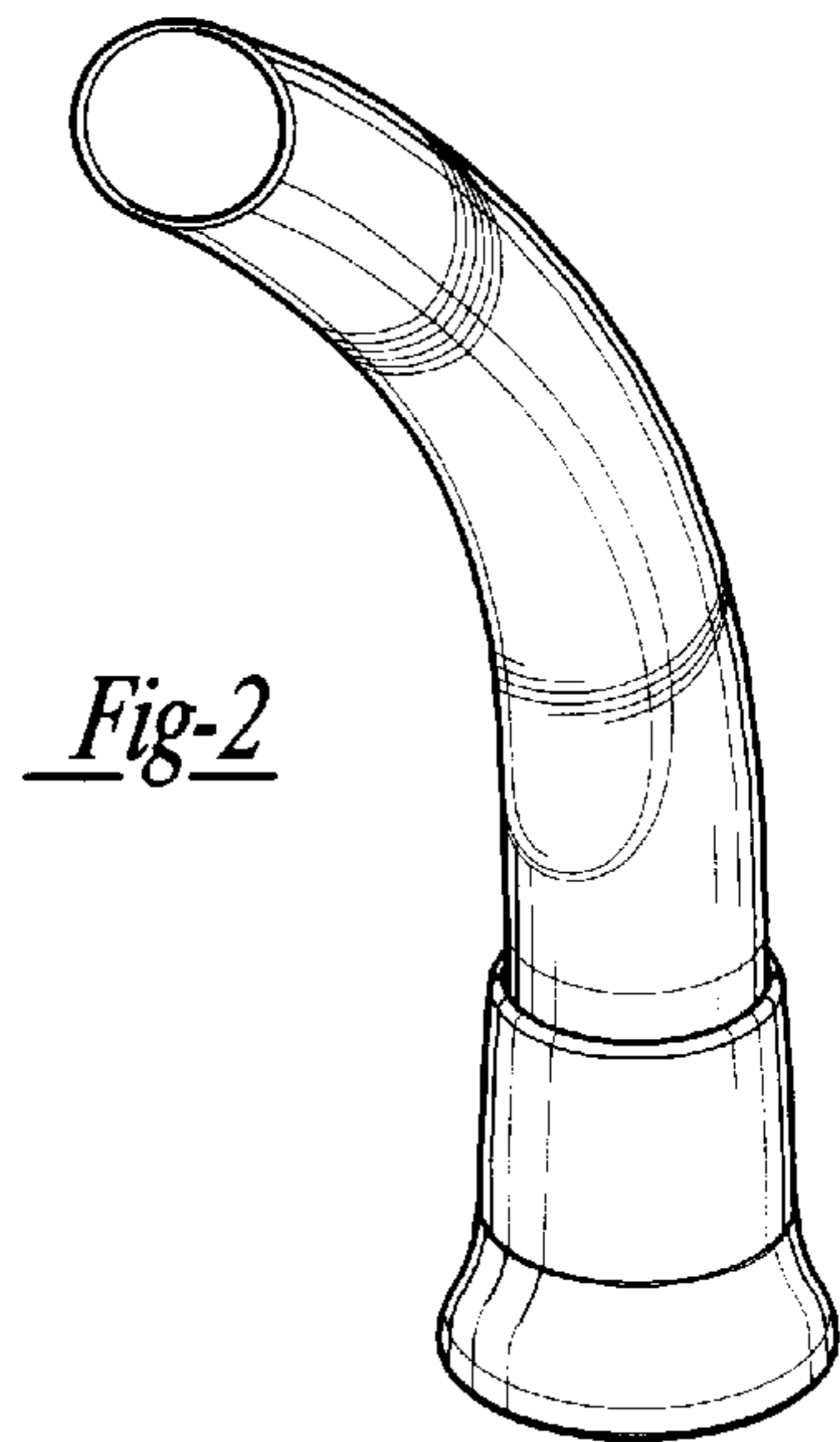
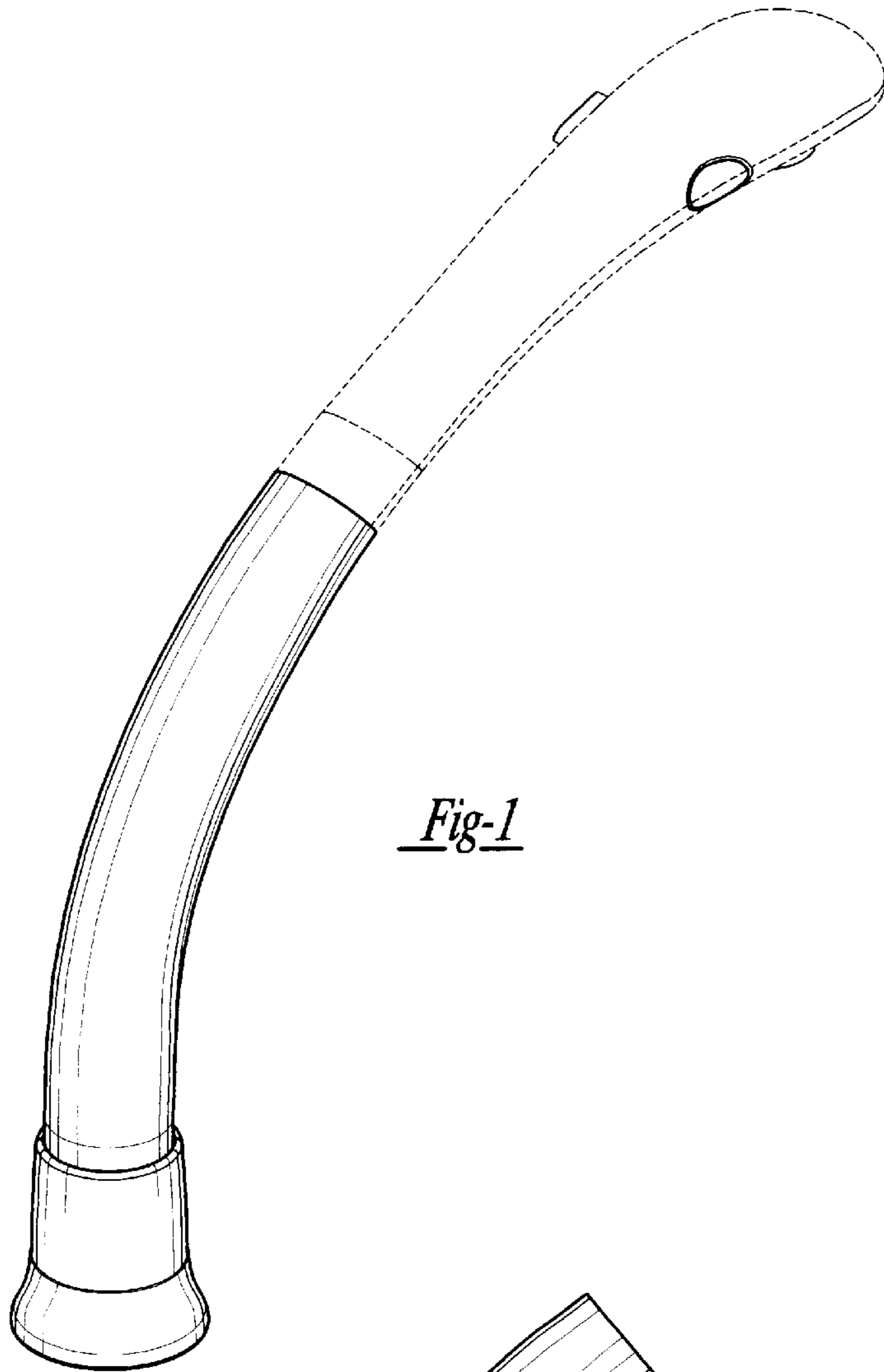
The ornamental design for a high rise pull-out spray faucet body, as shown and described.

DESCRIPTION

FIG. 1 is a top, rear perspective view of the high rise pull-out spray faucet body showing my new design;
 FIG. 2 is a top, front perspective view thereof;
 FIG. 3 is a right side elevational view thereof;
 FIG. 4 is a front elevational view thereof;
 FIG. 5 is a top plan view thereof;
 FIG. 6 is a rear elevational view thereof;
 FIG. 7 is a bottom plan view thereof;
 FIG. 8 is a top, rear perspective view of a second embodiment of the high rise pull-out spray faucet body, differing from the body illustrated in FIG. 1 in that the length of the body is longer;
 FIG. 9 is a right side elevational view the left side being a mirror image;
 FIG. 10 is a top, rear perspective view of a third embodiment of the high rise pull-out spray faucet body, differing from FIG. 1 in the length; and,
 FIG. 11 is a right side elevational view, the left side being a mirror image.
 The broken line showing of the pull-out spray in FIG. 1 is for purposes of illustration only and forms no part of the claimed design.

1 Claim, 3 Drawing Sheets





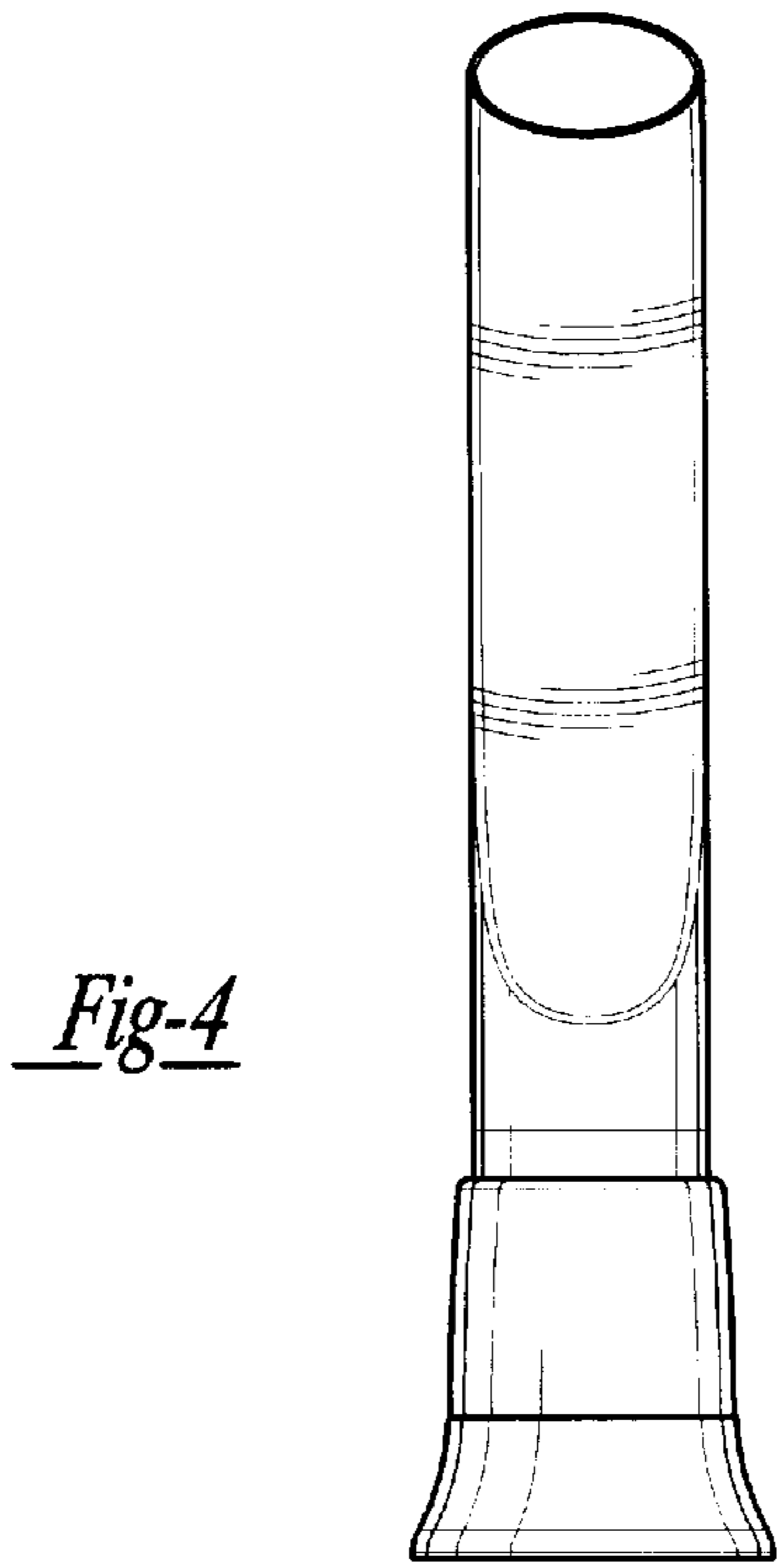


Fig-4

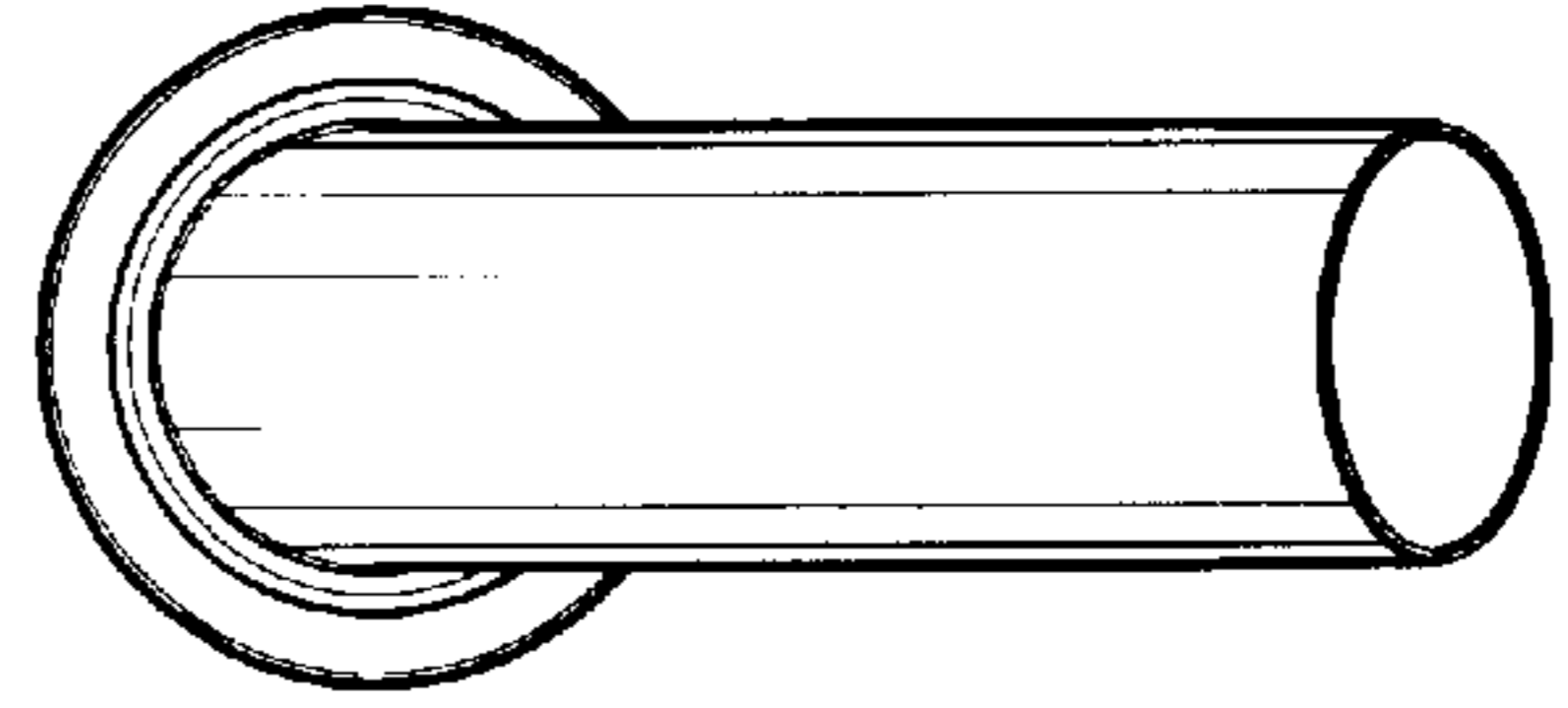


Fig-5

Fig-6

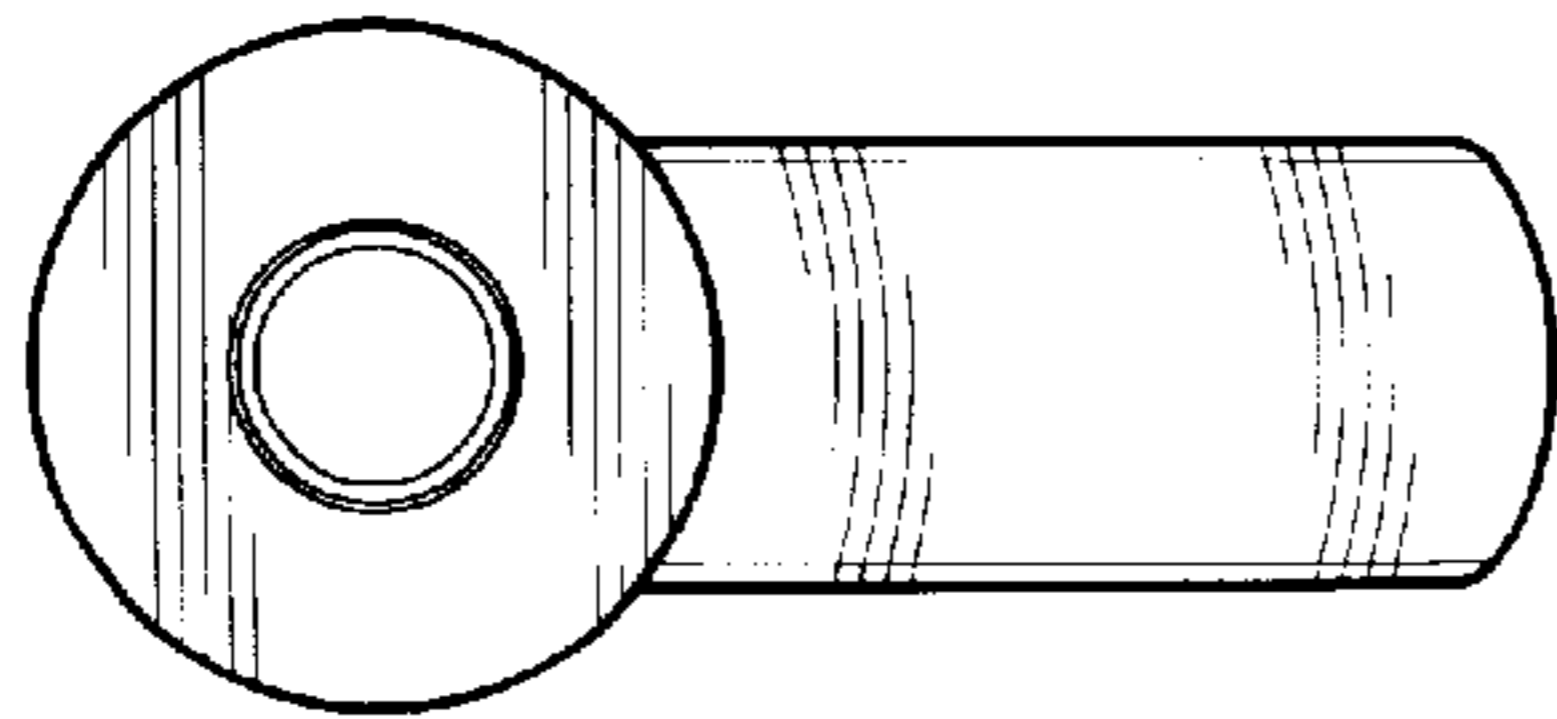
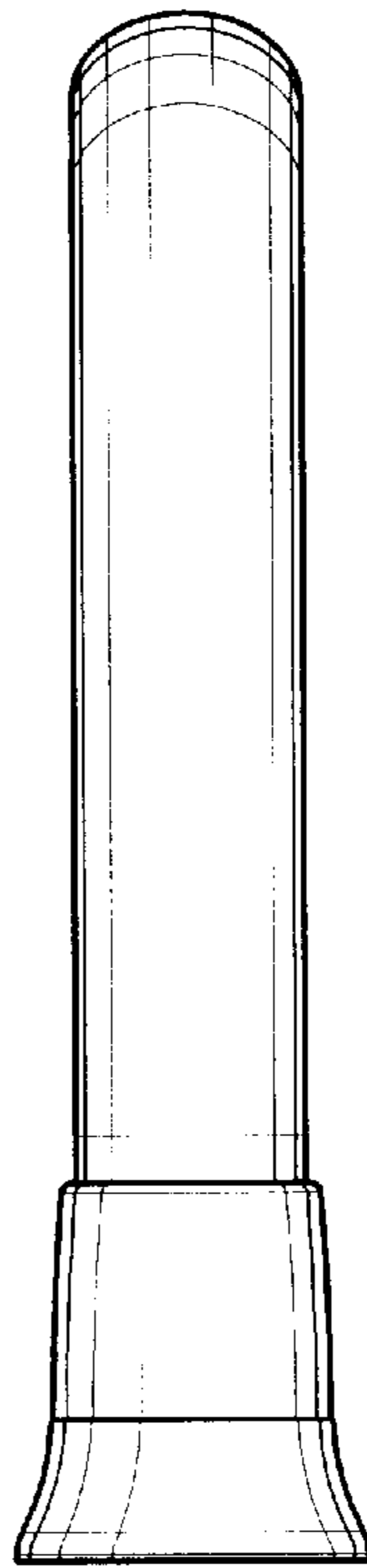


Fig-7

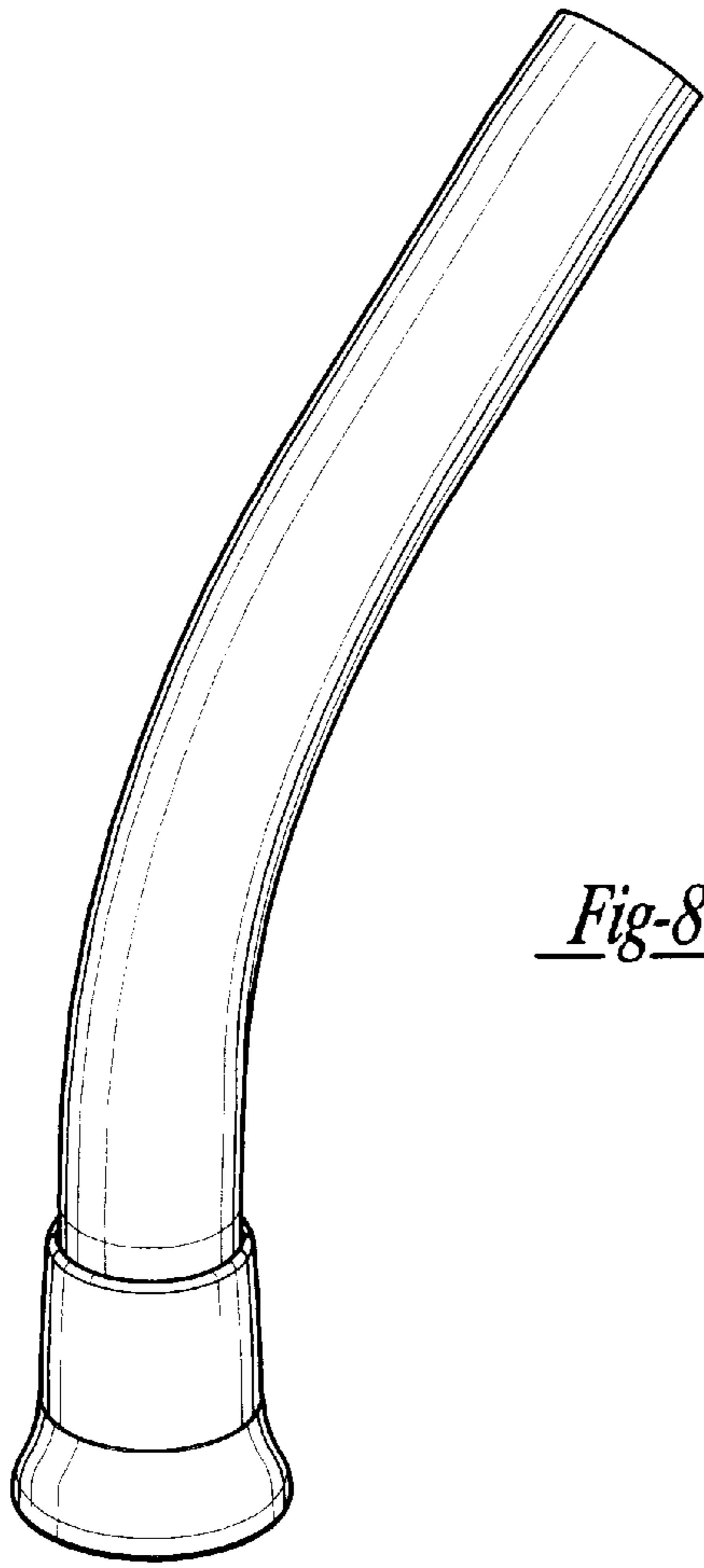


Fig-8

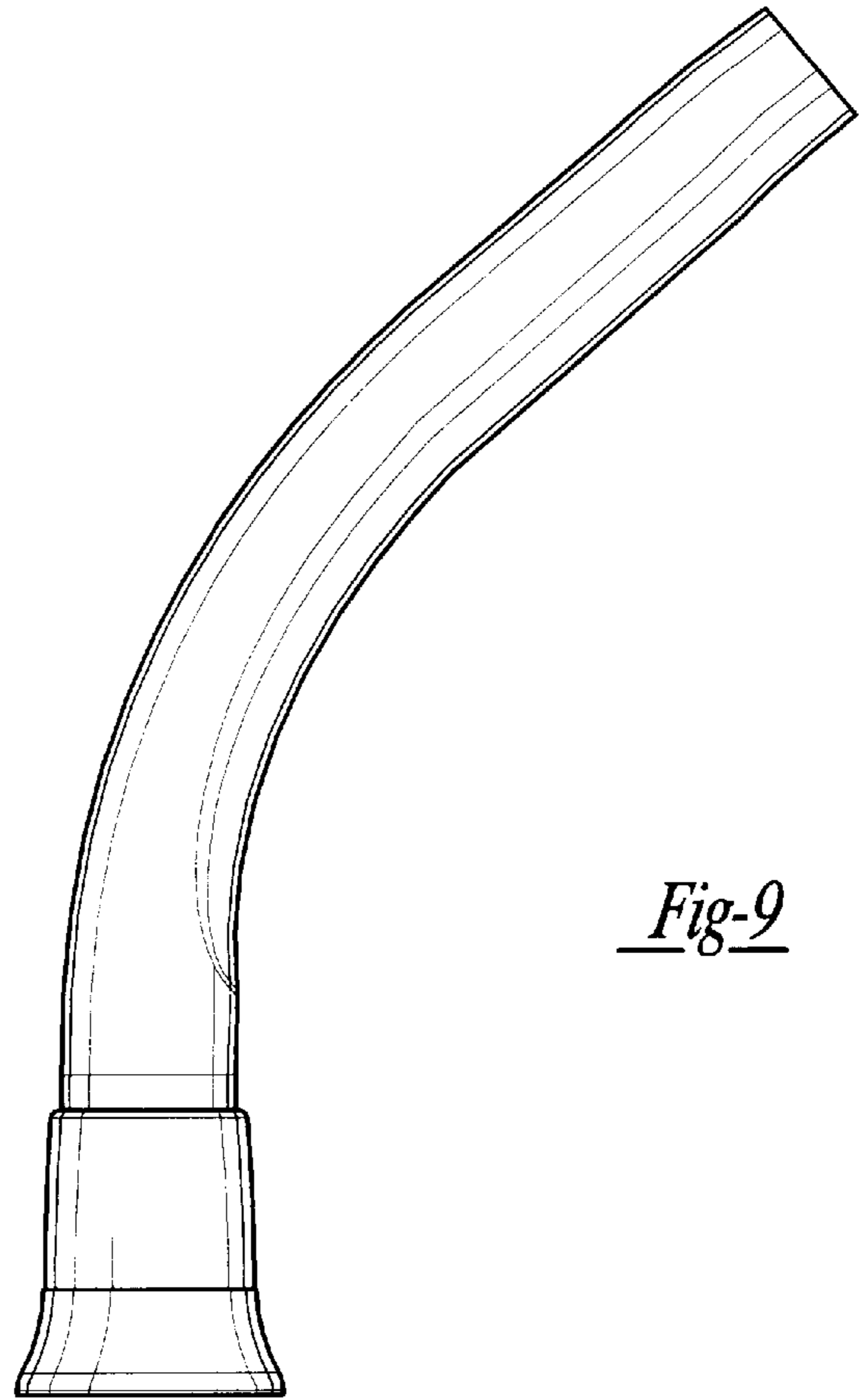


Fig-9

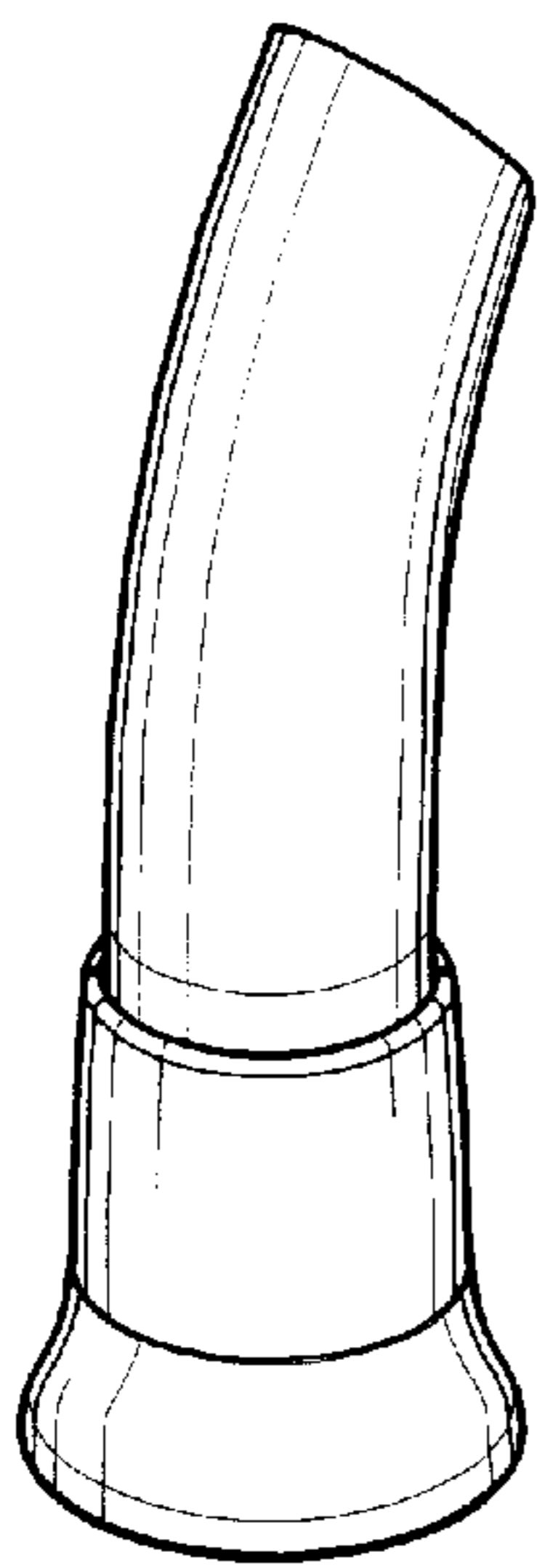


Fig-10

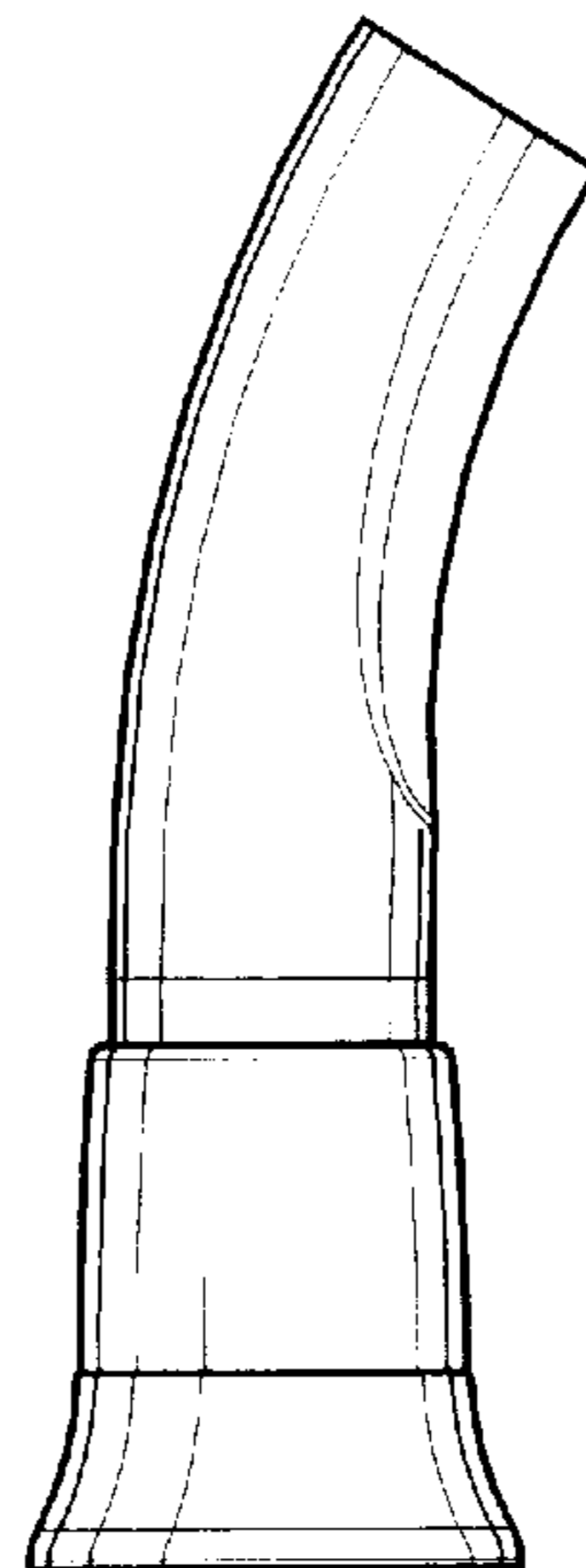


Fig-11