



US00D419648S

United States Patent [19]
Lord

[11] **Patent Number: Des. 419,648**
[45] **Date of Patent: ** *Jan. 25, 2000**

[54] **SHOWER ESCUTCHEON WITH HANDLE**

[75] Inventor: **Judd A. Lord**, Carmel, Ind.

[73] Assignee: **Masco Corporation of Indiana**, Indianapolis, Ind.

[*] Notice: This patent is subject to a terminal disclaimer.

[**] Term: **14 Years**

[21] Appl. No.: **29/079,230**

[22] Filed: **Nov. 10, 1997**

[51] **LOC (7) Cl. 23-01**

[52] **U.S. Cl. D23/254**

[58] **Field of Search** D23/238-243,
D23/250-257; D8/300-310; 16/110 R-121;
4/75-78

[56] **References Cited**

U.S. PATENT DOCUMENTS

- D. 93,624 10/1934 Kasch .
- D. 101,449 10/1936 Dreyfuss .
- D. 124,643 1/1941 Martin .
- D. 126,074 3/1941 Judell .
- D. 152,809 9/1949 MacCauley .
- D. 162,273 1/1951 Young .
- D. 163,236 3/1951 Young .
- D. 180,254 5/1957 Tiller .
- D. 186,422 10/1959 Kohler .
- D. 187,206 2/1960 Dreyfuss .
- D. 193,756 10/1962 Parker .
- D. 193,757 10/1962 Armstrong .
- D. 194,229 12/1962 Landell et al. .
- D. 201,270 6/1965 Taylor et al. .
- D. 203,795 2/1966 Harvey et al. .
- D. 208,103 7/1967 Donner .
- D. 209,805 1/1968 Barker .
- D. 212,611 11/1968 Young .
- D. 213,779 4/1969 DuBois .
- D. 219,718 1/1971 Niemann .
- D. 219,779 1/1971 Tiller .

- D. 226,090 1/1973 DuBois .
- D. 235,098 5/1975 Doman .
- D. 237,275 10/1975 Landell .
- D. 241,440 9/1976 Doman .
- D. 263,989 4/1982 Fleischman et al. .
- D. 263,990 4/1982 Fleischmann .
- D. 265,117 6/1982 Fleischmann .
- D. 271,705 12/1983 Fabian .
- D. 272,082 1/1984 Fabian .
- D. 285,106 8/1986 Yost .
- D. 285,107 8/1986 Ogilvie .
- D. 285,108 8/1986 Ogilvie .
- D. 285,245 8/1986 Ogilvie .
- D. 290,496 6/1987 Rydn .
- D. 291,237 8/1987 Delepine .
- D. 291,239 8/1987 Haug et al. .
- D. 294,168 2/1988 Fabian .
- D. 299,160 12/1988 Lathrop .
- D. 300,238 3/1989 Kohler et al. .
- D. 301,276 5/1989 Bengtsson .
- D. 302,850 8/1989 Lathrop .

(List continued on next page.)

Primary Examiner—Eric Watterson
Attorney, Agent, or Firm—Myron B. Kapustij; Lloyd D. Doigan

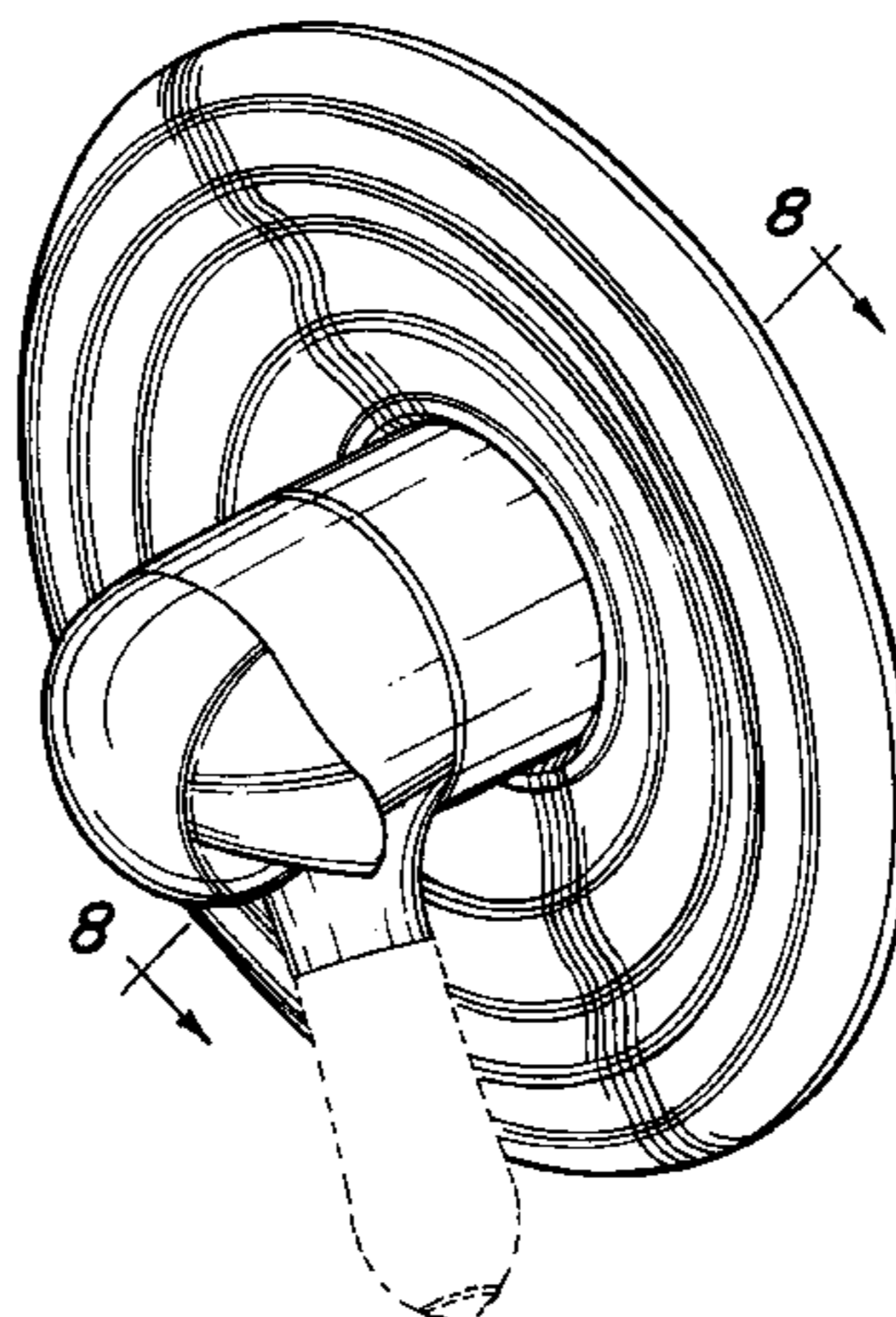
[57] **CLAIM**

The ornamental design for a shower escutcheon with handle, as shown and described.

DESCRIPTION

FIG. 1 is a front, left perspective view of a shower escutcheon with handle;
FIG. 2 is a front, right perspective view thereof;
FIG. 3 is a top plan view thereof;
FIG. 4 is a front elevational view thereof;
FIG. 5 is a left side elevational view thereof;
FIG. 6 is a right side elevational view thereof;
FIG. 7 is a bottom plan view thereof; and,
FIG. 8 is a cross-sectional view taken along line 8-8 in FIG. 1.
The broken line showings of the handle tip in FIGS. 1-8 are for purposes of illustration only and form no part of the claimed design.

1 Claim, 4 Drawing Sheets



U.S. PATENT DOCUMENTS

D. 303,566	9/1989	Kohler et al. .	D. 332,826	1/1993	Rosenbaum .
D. 303,831	10/1989	Ramsey et al. .	D. 333,698	3/1993	Gottwald .
D. 319,294	8/1991	Kohler et al. .	D. 336,947	6/1993	Gottwald .
D. 321,468	11/1991	Reid .	D. 344,128	2/1994	Gottwald .
D. 323,022	1/1992	Ragonot .	D. 345,004	3/1994	Bengston .
D. 326,899	6/1992	Haug et al. .	D. 345,782	4/1994	Short et al. .
D. 330,754	11/1992	Gottwald .	D. 355,021	1/1995	Schott et al. .
D. 331,099	11/1992	Gottwald .	D. 363,765	10/1995	Starck .
D. 331,797	12/1992	Gottwald .	D. 373,180	8/1996	Gottwald .
			3,960,016	6/1976	Symmons .

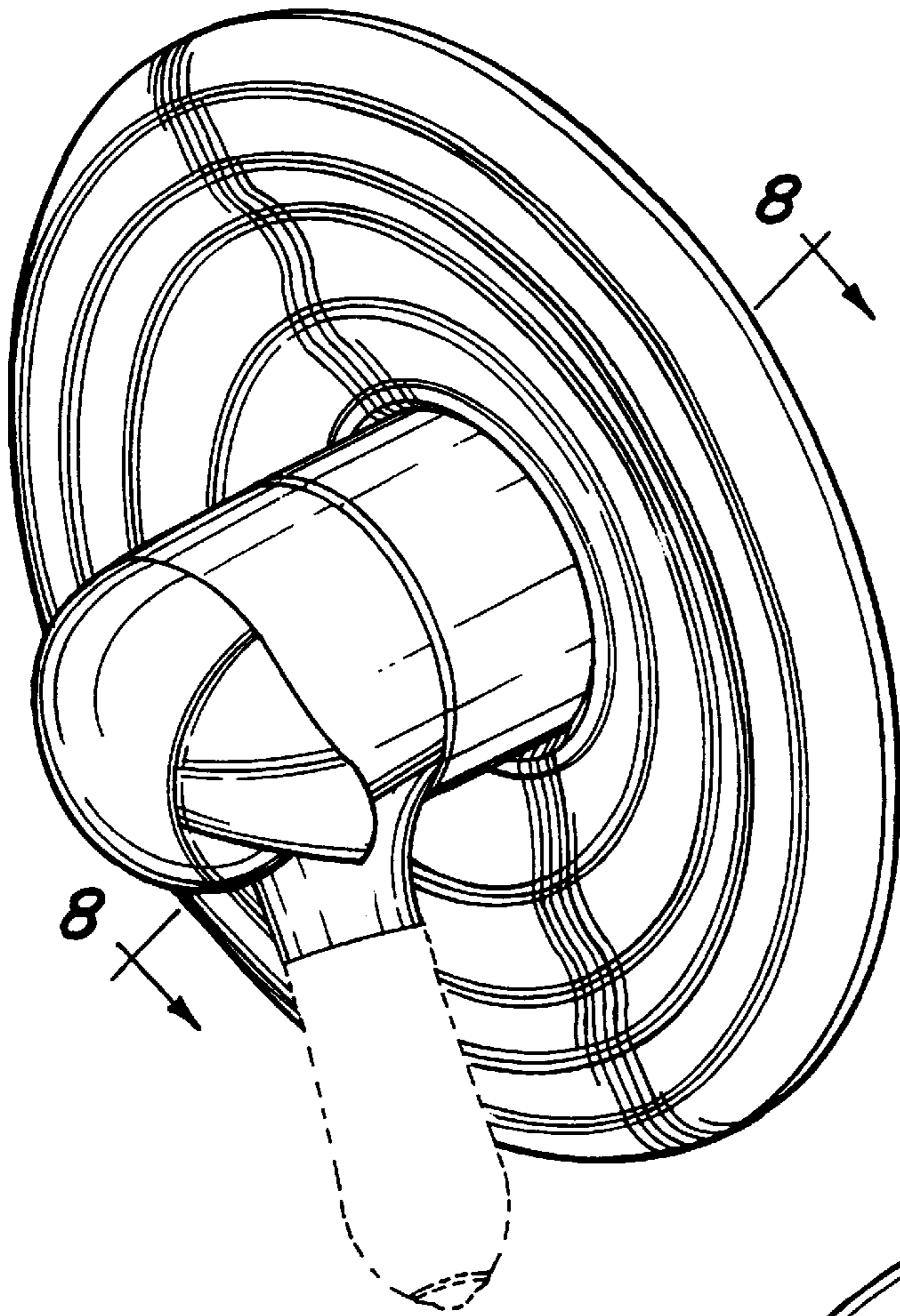
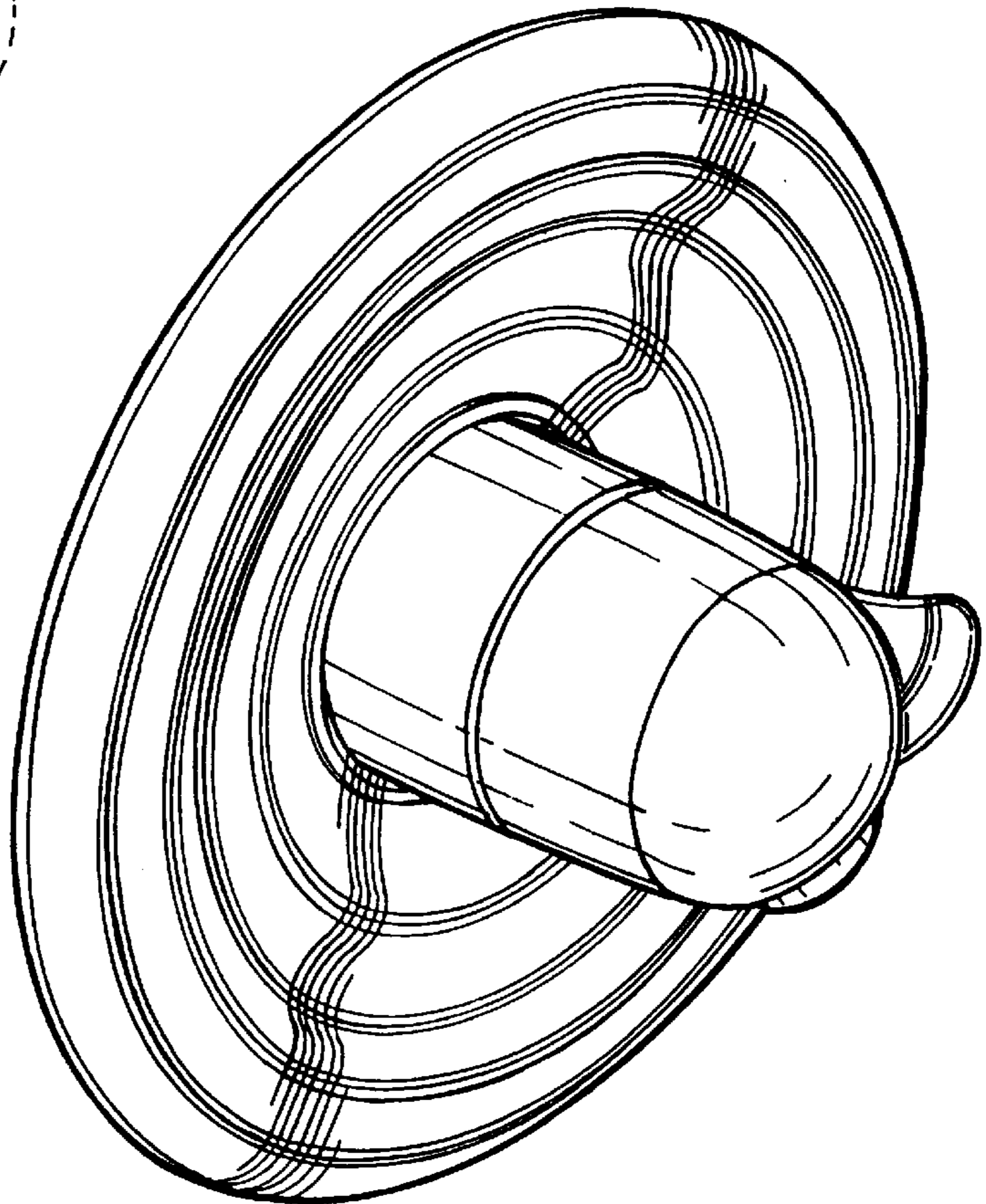


Fig-1

Fig-2



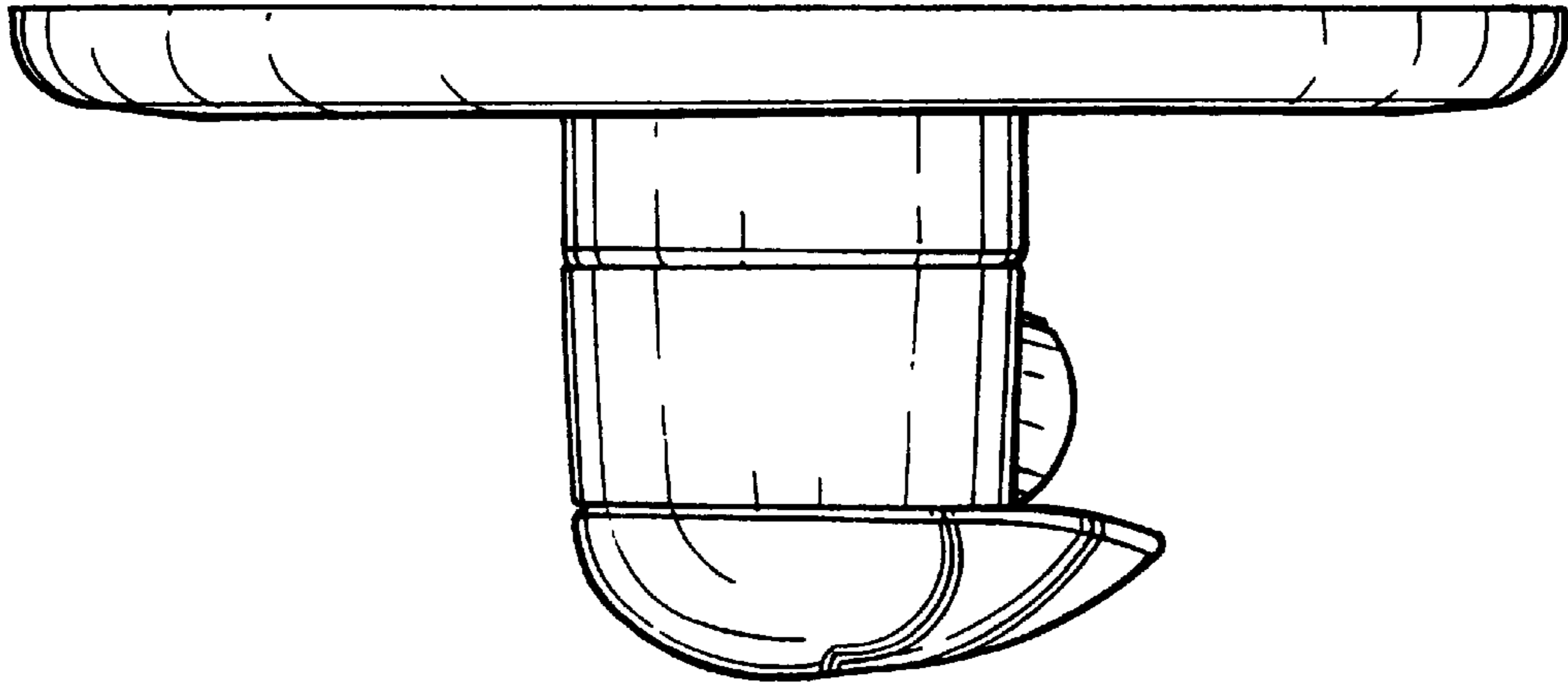


Fig-3

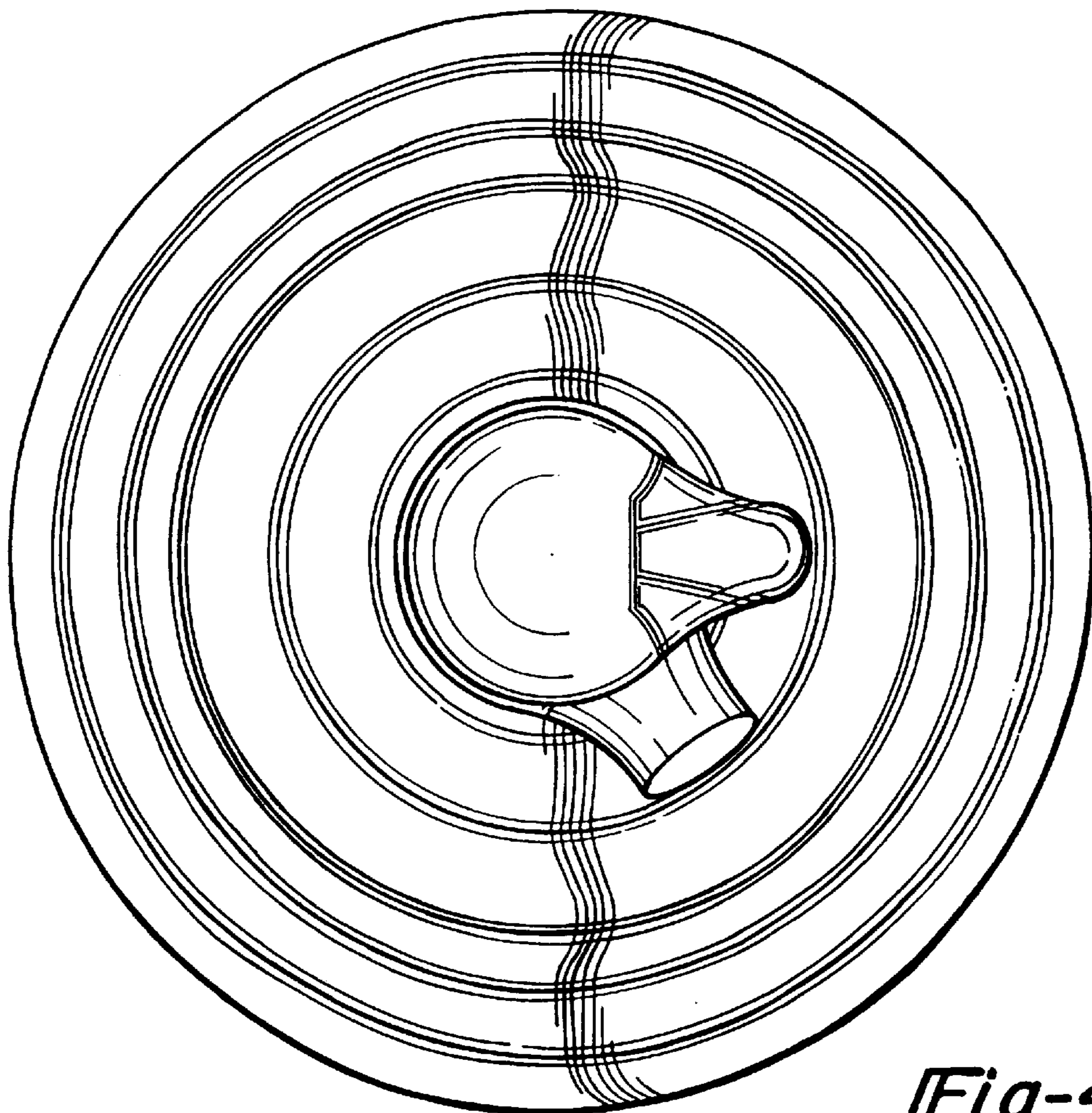


Fig-4

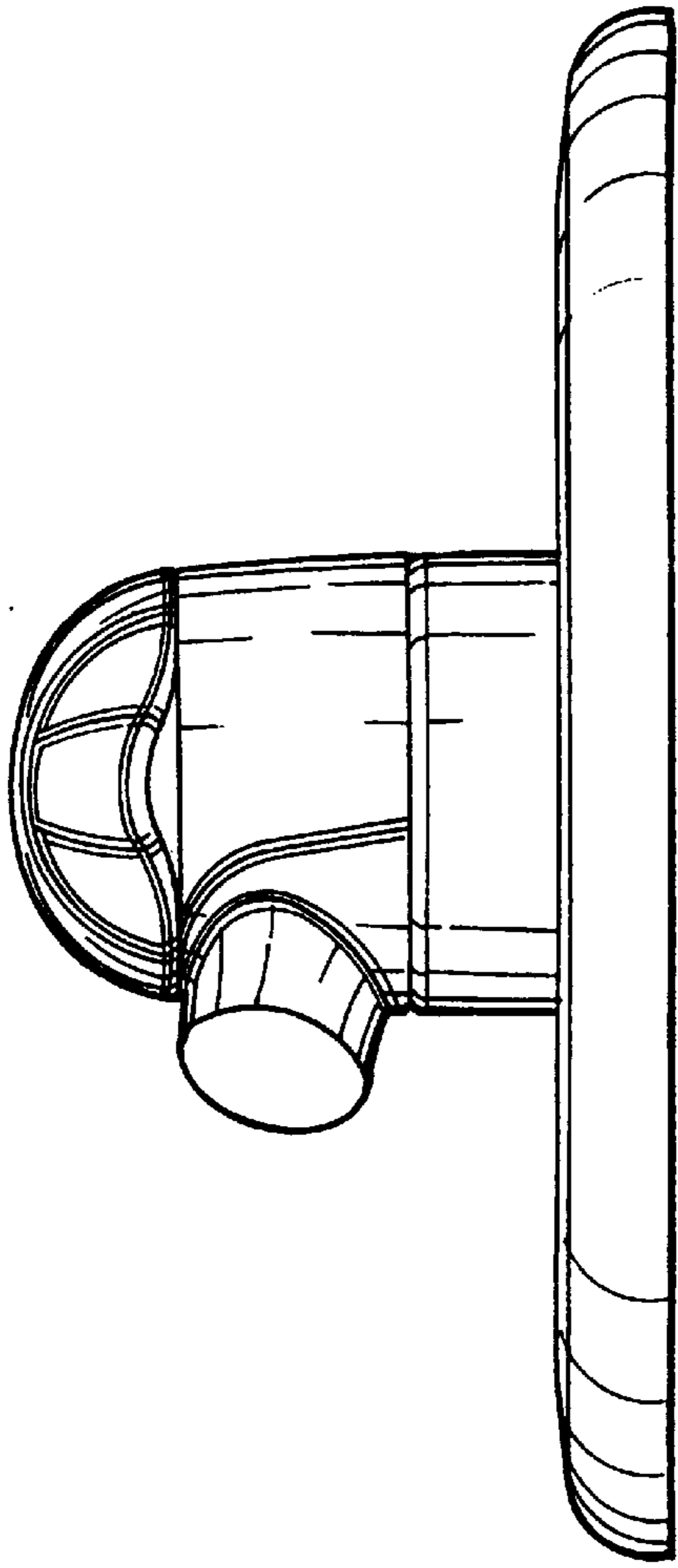
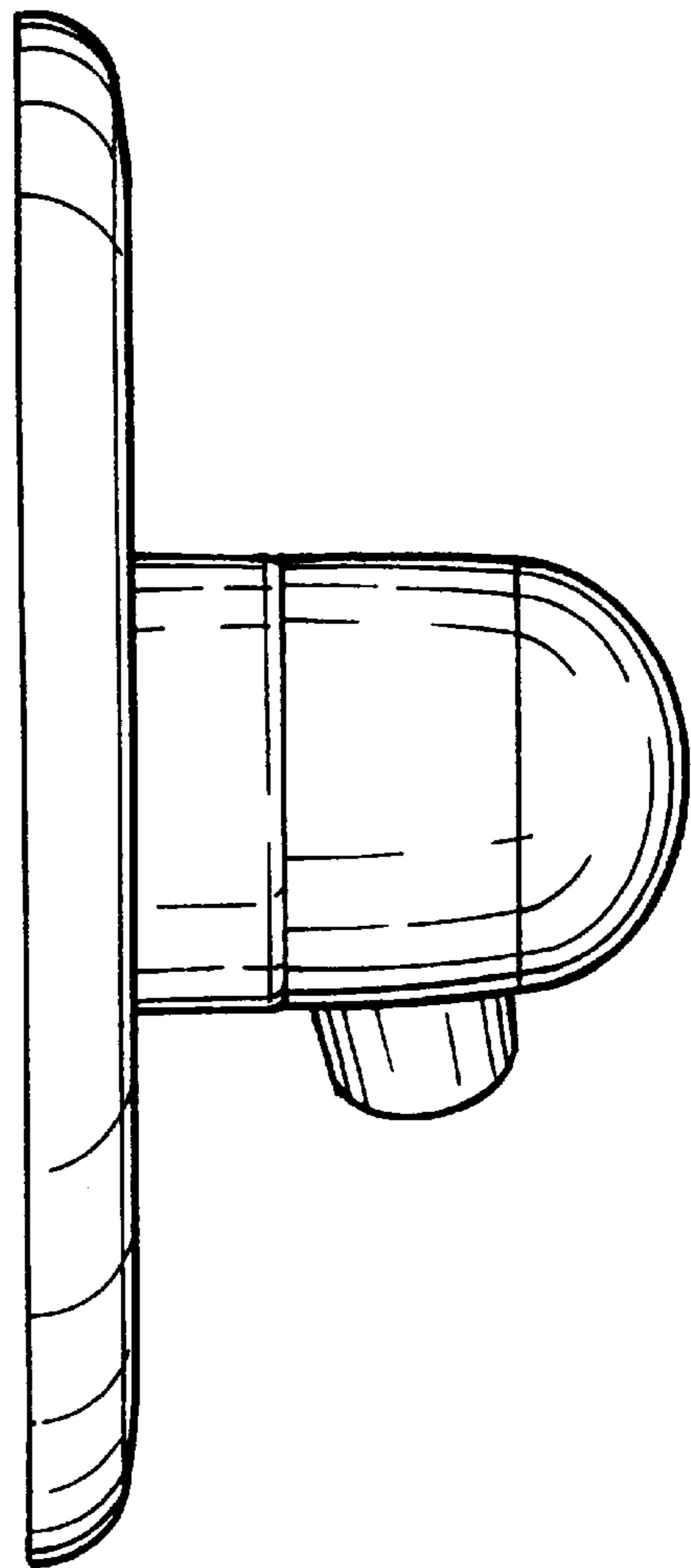


Fig-5

Fig-6



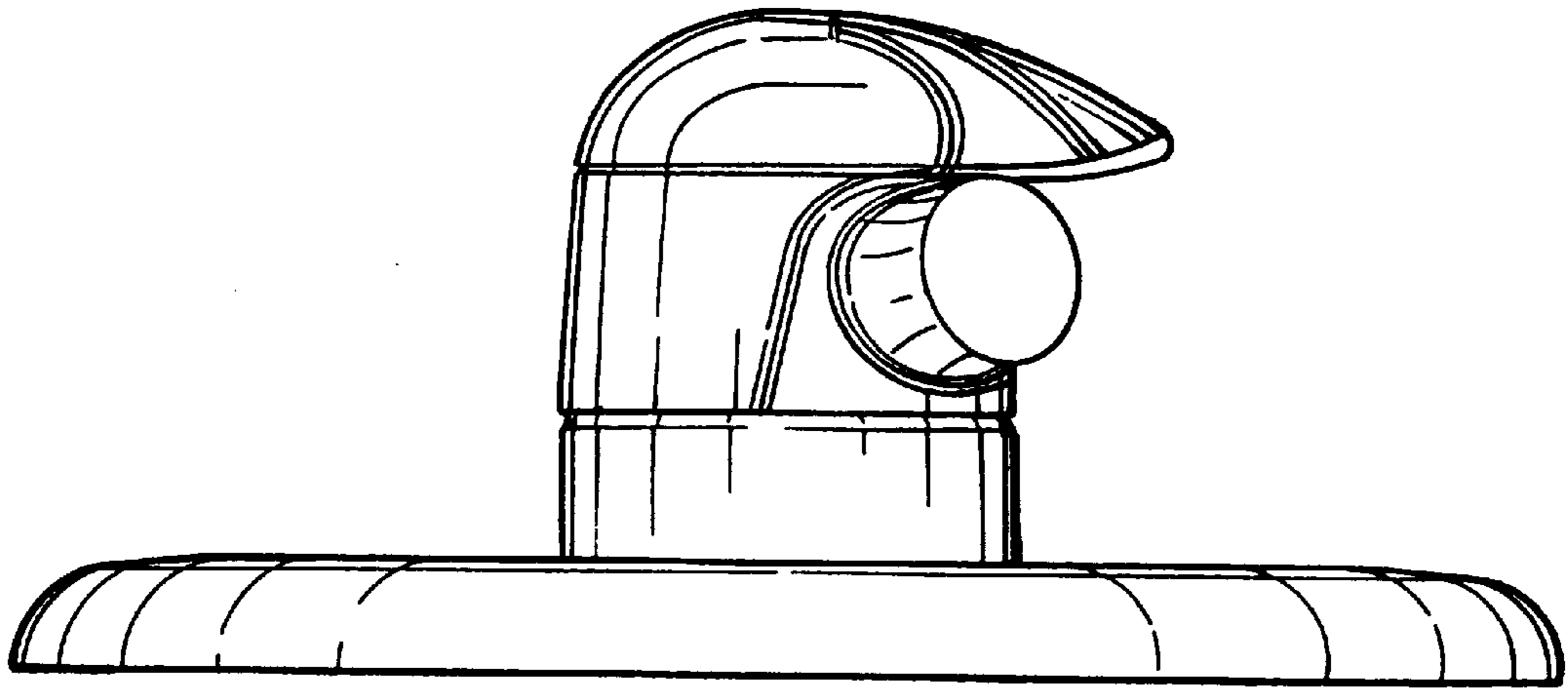


Fig-7

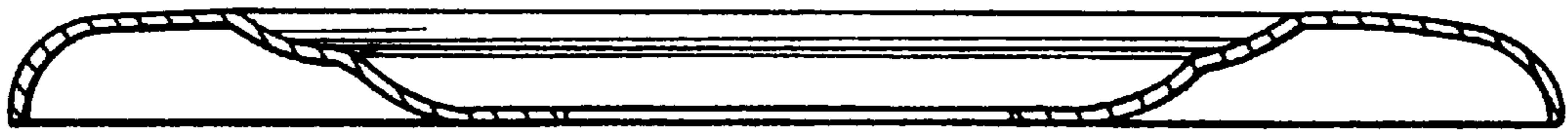


Fig-8