



US00D419647S

**United States Patent** [19]  
**Warshawsky**

[11] **Patent Number: Des. 419,647**  
[45] **Date of Patent: \*\* Jan. 25, 2000**

[54] **FAUCET LEVER HANDLE**

[75] Inventor: **Jerome Warshawsky**, Hewlett Harbor, N.Y.

[73] Assignee: **I.W. Industries, Inc.**, Melville, N.Y.

[\*\*] Term: **14 Years**

[21] Appl. No.: **29/089,583**

[22] Filed: **Jun. 18, 1998**

[51] **LOC (7) Cl.** ..... **23-01**

[52] **U.S. Cl.** ..... **D23/252**

[58] **Field of Search** ..... D23/238-243,  
D23/250-257; 4/675-678; 137/801; D8/300-308;  
16/110 R-121

[56] **References Cited**

**U.S. PATENT DOCUMENTS**

- D. 290,496 6/1987 Ryan ..... D23/252
- D. 325,622 4/1992 Bengtson ..... D23/252
- D. 332,135 12/1992 Bonnell ..... D23/252

- D. 365,384 12/1995 Robbins ..... D23/252
- D. 371,826 7/1996 Robbins ..... D23/252
- D. 378,231 2/1997 Dubin ..... D23/252

*Primary Examiner*—Louis S. Zarfaz  
*Assistant Examiner*—Eric Watterson  
*Attorney, Agent, or Firm*—Alfred M. Walker

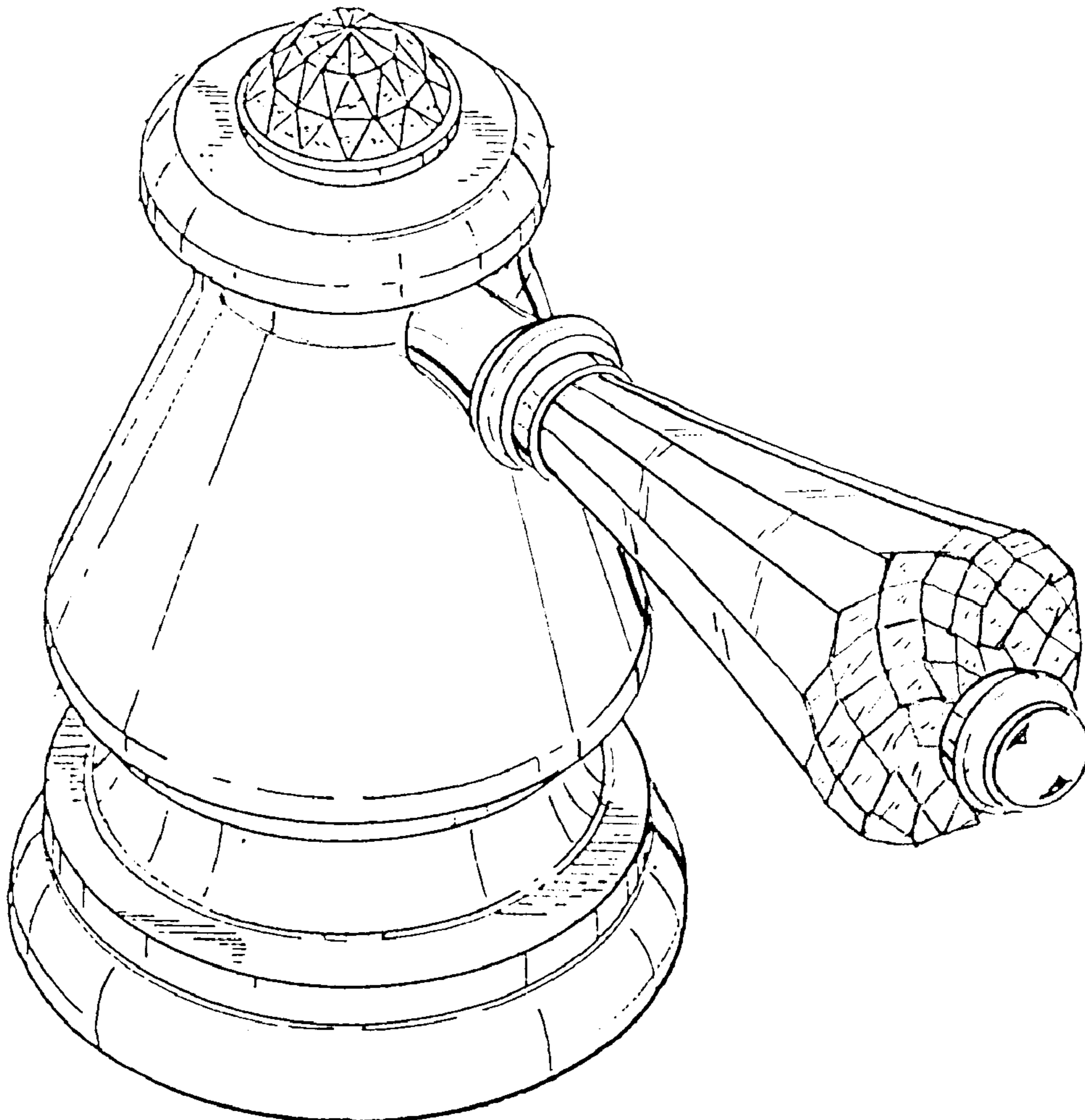
[57] **CLAIM**

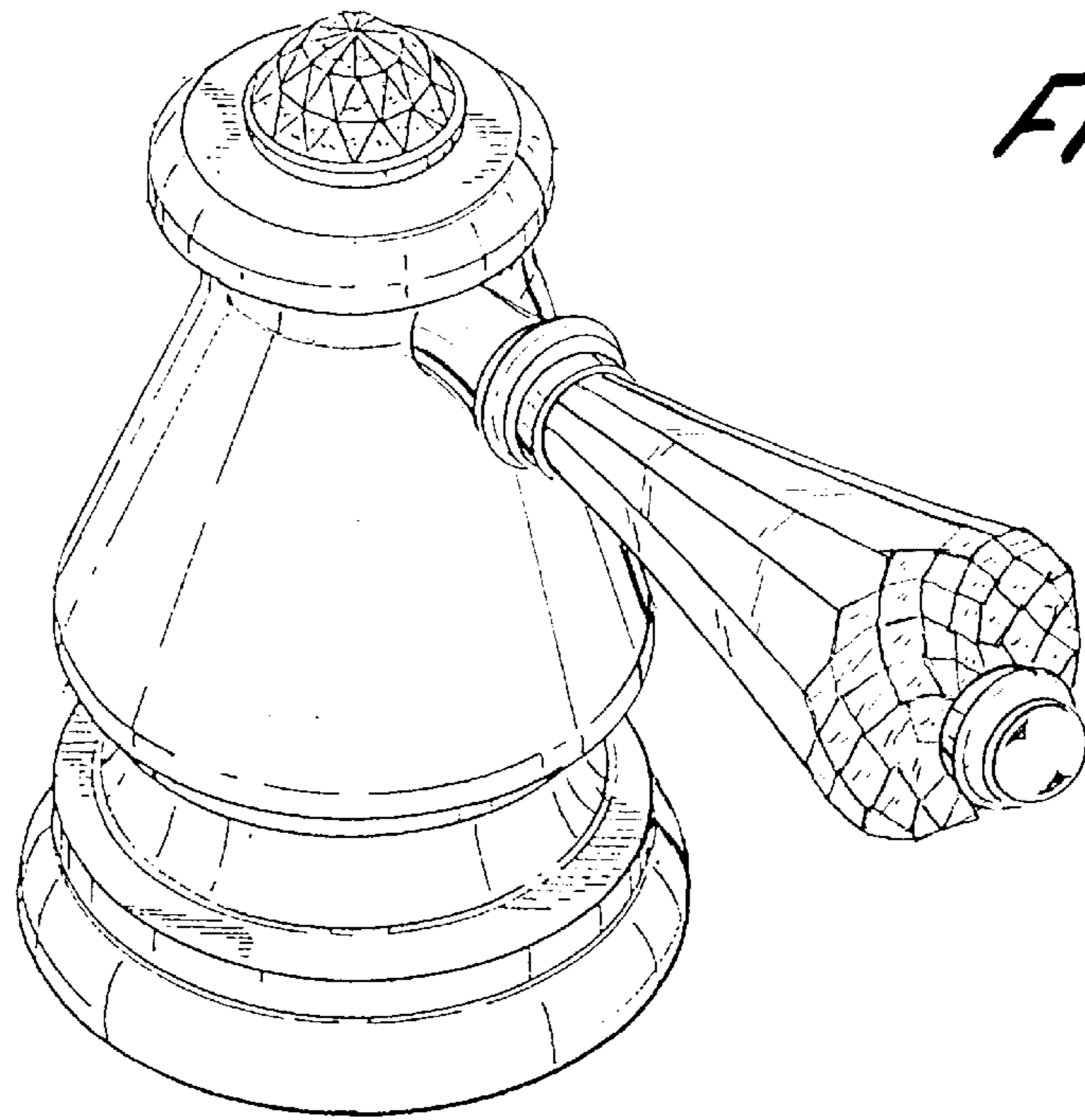
The ornamental design for a faucet lever handle, as shown and described.

**DESCRIPTION**

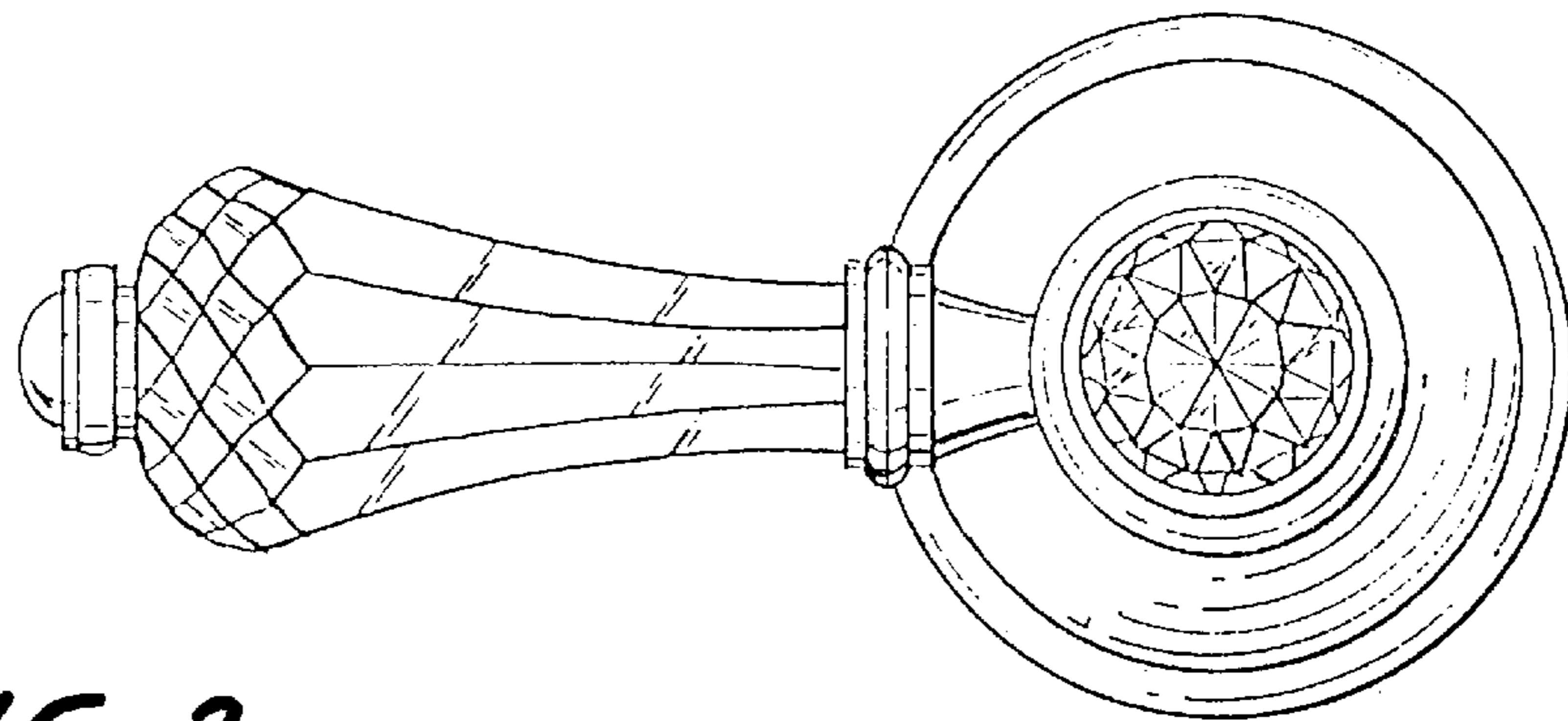
FIG. 1 is a perspective view of a faucet lever handle, showing my new design;  
FIG. 2 is a top plan view thereof;  
FIG. 3 is a bottom view thereof;  
FIG. 4 is a front elevational view thereof;  
FIG. 5 is a rear elevational view thereof; and,  
FIG. 6 is a right side elevational view thereof, the left side elevational view being a mirror image thereof.

**1 Claim, 2 Drawing Sheets**

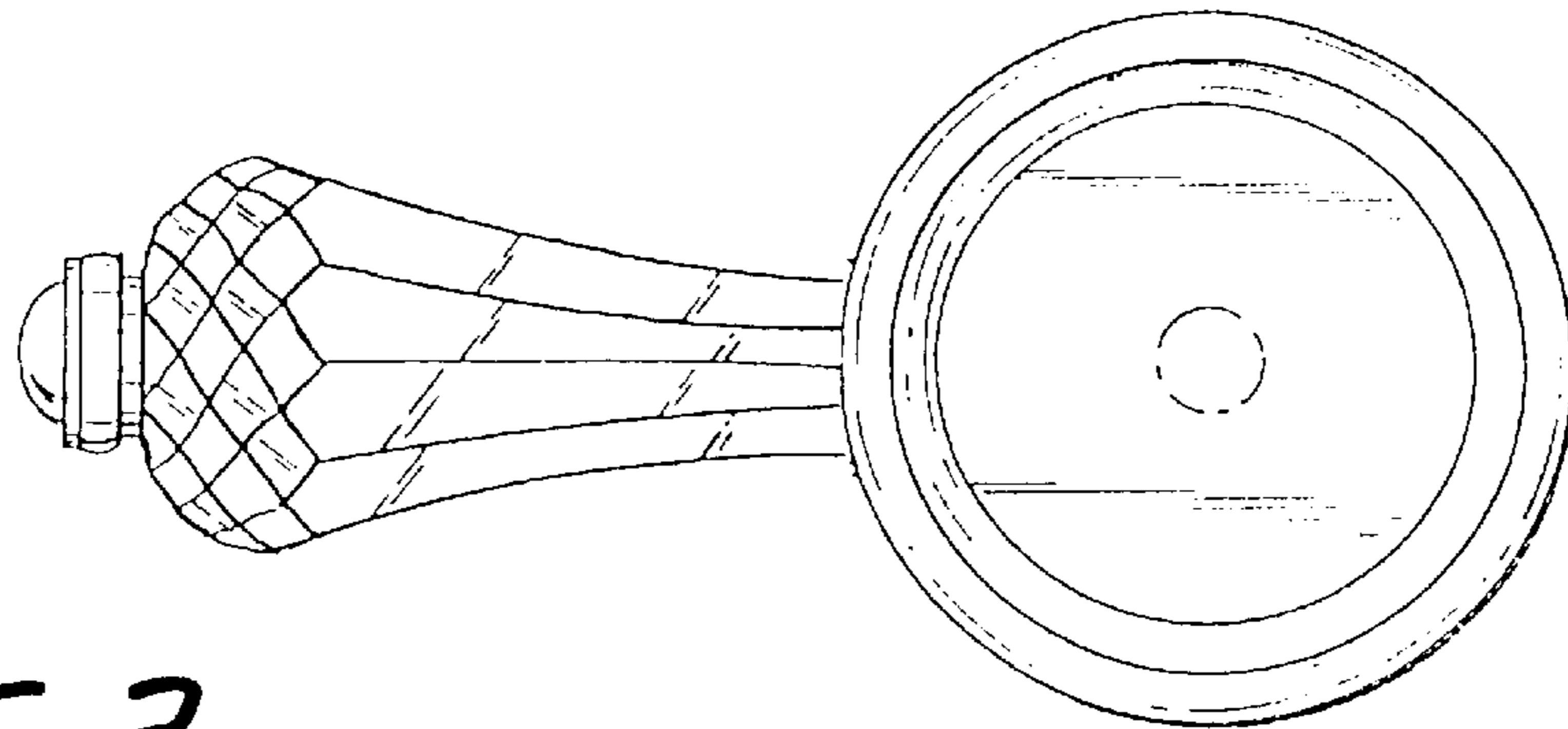




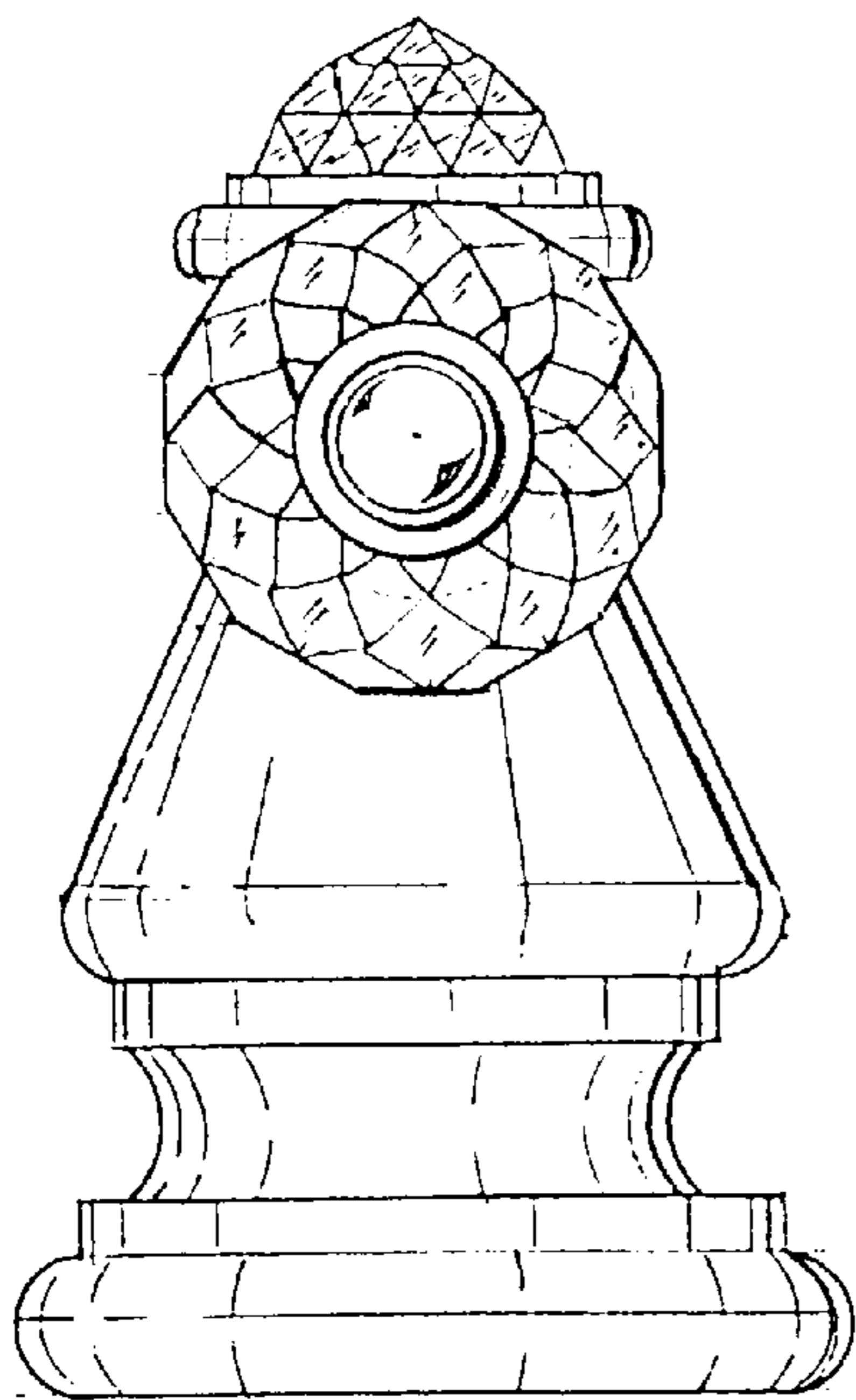
*FIG. 1*



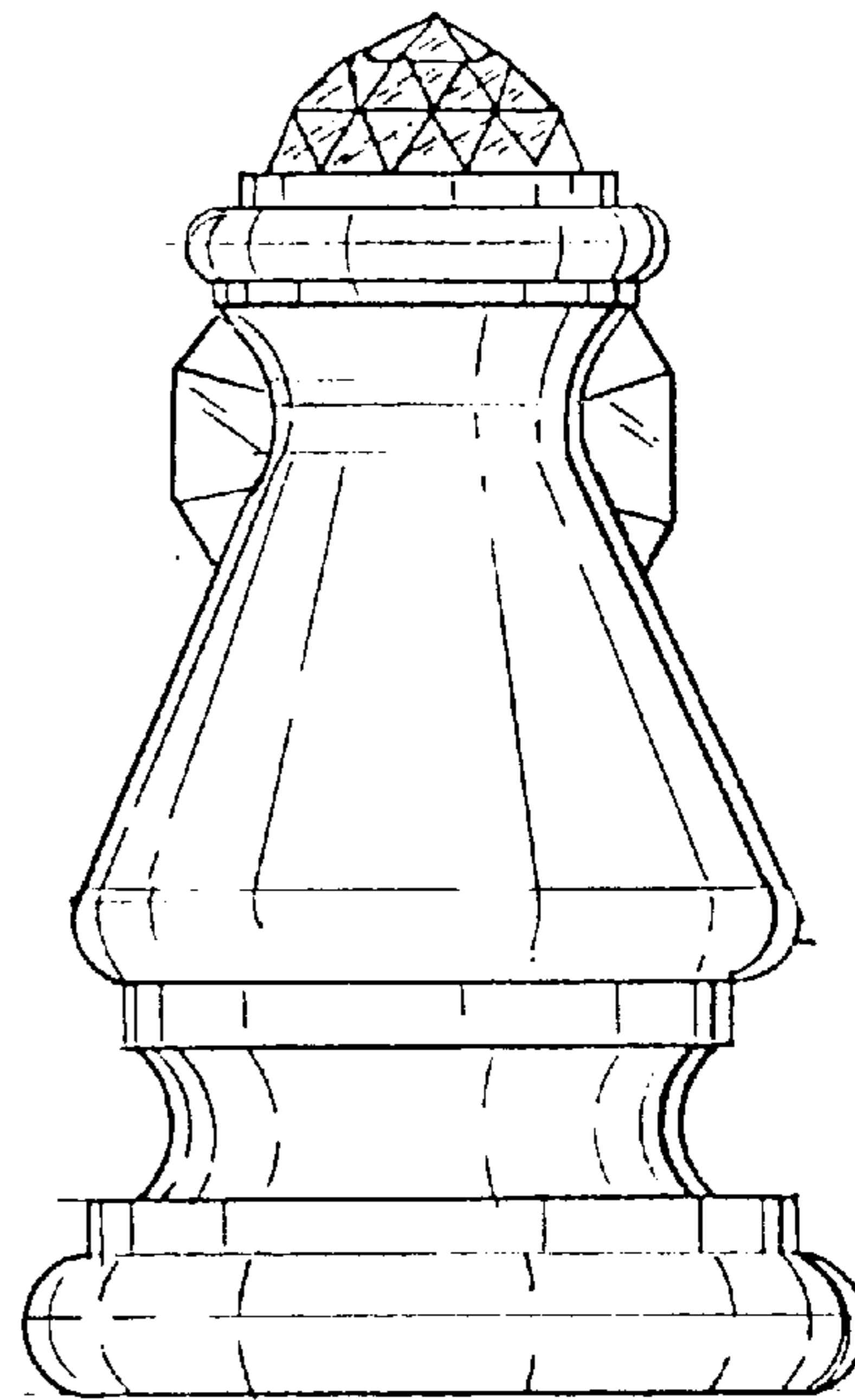
*FIG. 2*



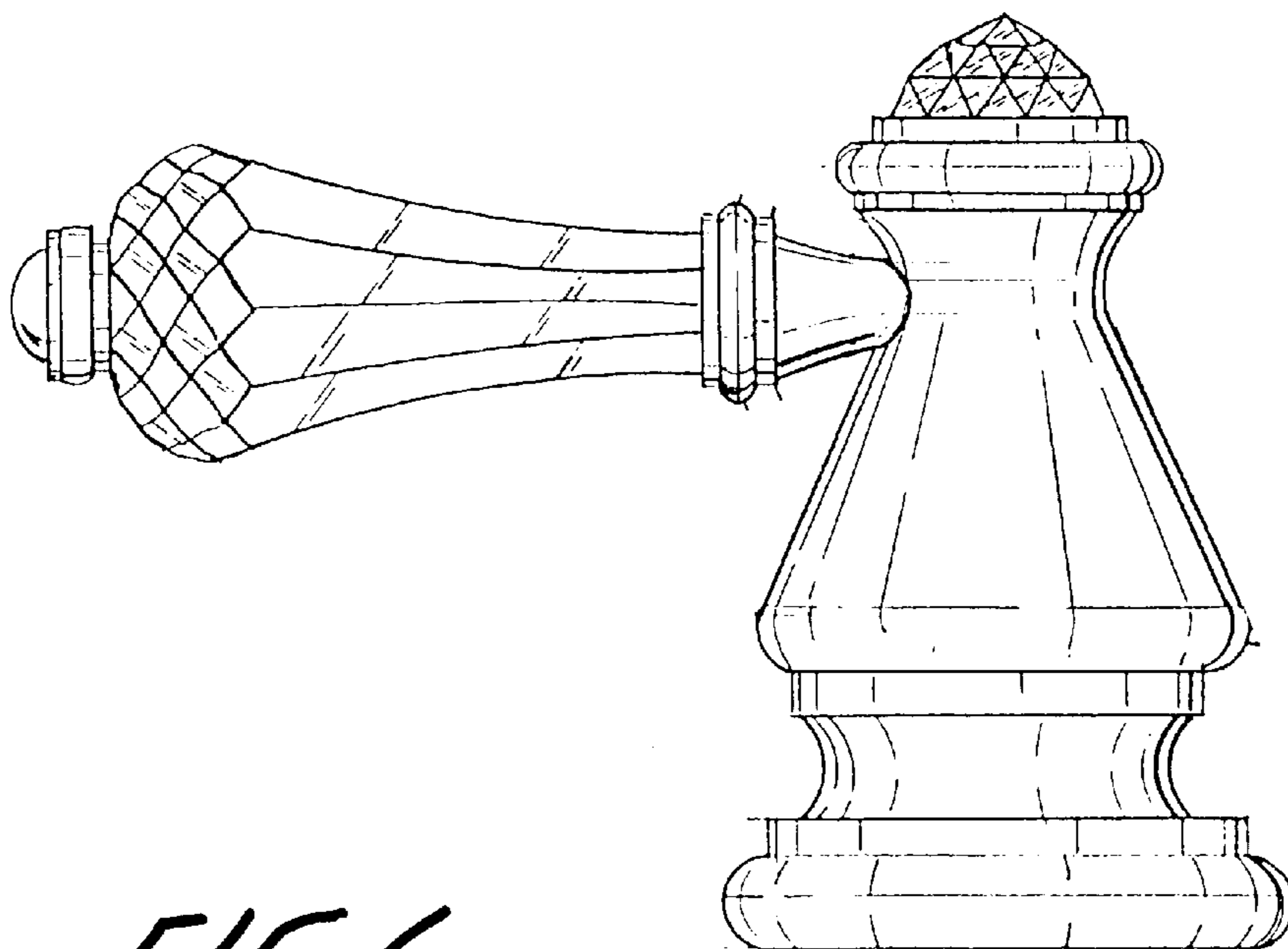
*FIG. 3*



*FIG. 4*



*FIG. 5*



*FIG. 6*