



US00D419645S

United States Patent [19] Lord

[11] **Patent Number: Des. 419,645**
[45] **Date of Patent: ** *Jan. 25, 2000**

[54] **FAUCET WITH PULL-OUT SPRAY**

OTHER PUBLICATIONS

[75] Inventor: **Judd A. Lord**, Carmel, Ind.

Delta Full Line Catalog, pp. 4, 5, 1994.

[73] Assignee: **Masco Corporation of Indiana**, Indianapolis, Ind.

Delta Catalog, "The Way Water is Brought to Life", 2 pages, 1991.

[*] Notice: This patent is subject to a terminal disclaimer.

Primary Examiner—Eric Watterson
Attorney, Agent, or Firm—Myron B. Kapustij; Lloyd D. Doigan

[**] Term: **14 Years**

[21] Appl. No.: **29/094,542**

[57] **CLAIM**

[22] Filed: **Oct. 5, 1998**

The ornamental design for a faucet with pull-out spray, as shown and described.

[51] **LOC (7) Cl. 23-01**

DESCRIPTION

[52] **U.S. Cl. D23/243**

[58] **Field of Search** D23/238–243,
D23/250–257; 4/675–678; 137/801

[56] **References Cited**

U.S. PATENT DOCUMENTS

- D. 213,874 4/1969 Landell .
- D. 219,779 1/1971 Tiller .
- D. 290,492 6/1987 Hill et al. .
- D. 290,992 7/1987 Hill et al. .
- D. 291,117 7/1987 Ryan .
- D. 293,601 1/1988 Hill et al. .
- D. 323,877 2/1992 Haug et al. .
- D. 331,796 12/1992 Spangler .
- D. 352,766 11/1994 Hill et al. .
- D. 360,931 8/1995 Mark et al. .
- D. 363,536 10/1995 Hill et al. .
- D. 364,211 11/1995 Hill et al. .
- D. 364,218 11/1995 Hill et al. .
- D. 364,219 11/1995 Hill et al. .
- D. 364,220 11/1995 Hill et al. .
- D. 366,099 1/1996 Hill et al. .
- D. 367,697 3/1996 Haug et al. .
- D. 367,699 3/1996 Hill et al. .
- D. 367,701 3/1996 Hill et al. .
- D. 367,920 3/1996 Hill et al. .
- D. 368,764 4/1996 Hill et al. .
- D. 368,958 4/1996 Hill et al. .
- D. 388,156 12/1997 Hill et al. .

FIG. 1 is a top, front perspective view of a faucet with pull-out spray showing my new design;

FIG. 2 is a right side elevational view thereof, the left side being a mirror image;

FIG. 3 is front elevational view thereof;

FIG. 4 is a top plan view thereof;

FIG. 5 is a rear elevational view thereof;

FIG. 6 is a bottom plan view thereof;

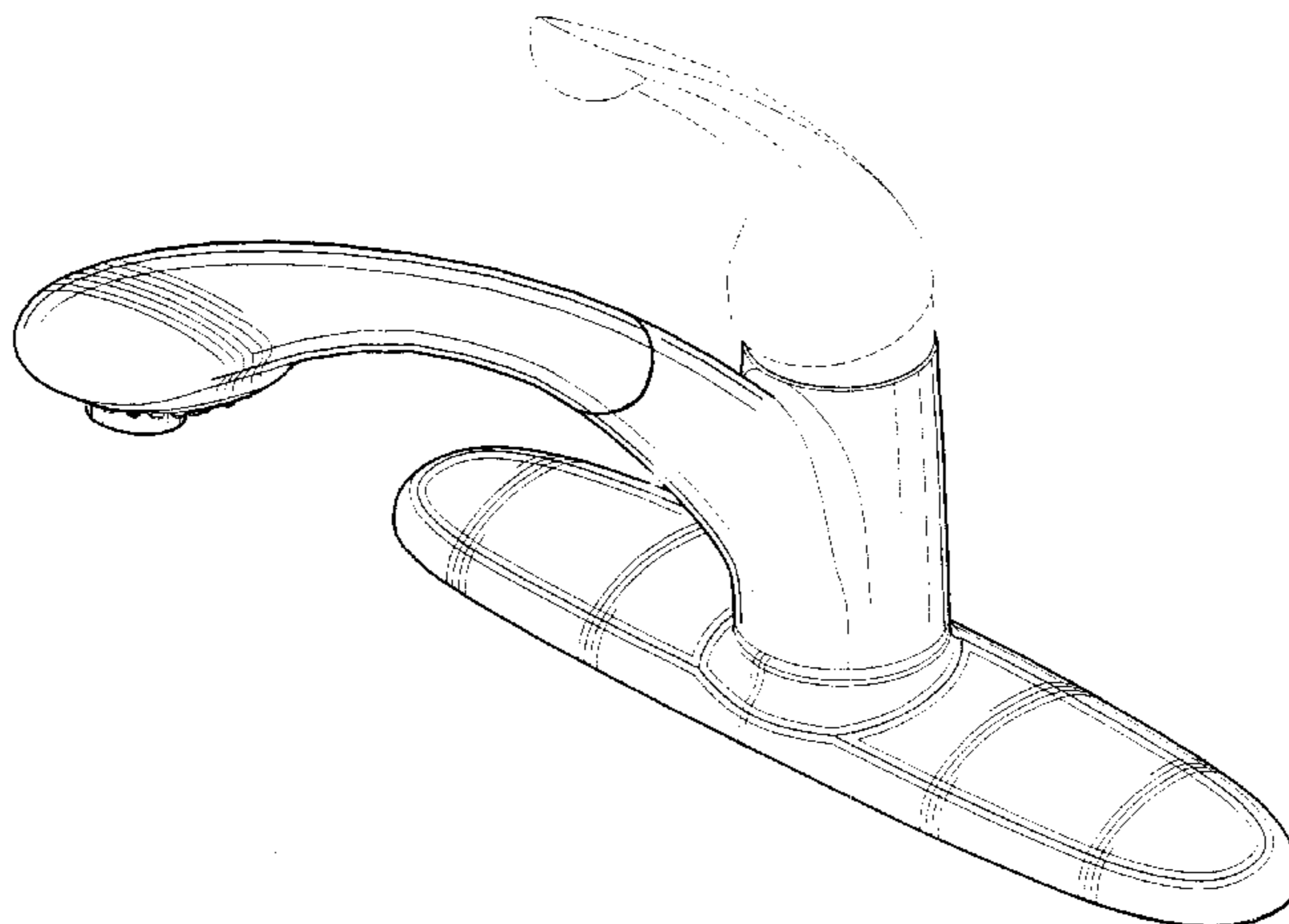
FIG. 7 is a top, front perspective view of a second embodiment of a faucet with pull-out spray, differing from the embodiment illustrated in FIG. 1 in having an on-off button on the top of the pull-out spray;

FIG. 8 is a right side elevational view of the second embodiment illustrated in FIG. 7, the opposite side being a mirror image; and,

FIG. 9 is a top plan view of the second embodiment illustrated in FIG. 7.

The dotted line showing of the handle and bonnet in FIGS. 1 and 7, and of the water inlet aperture in FIG. 6 and are for purposes of illustration only and form no part of the claim design.

1 Claim, 5 Drawing Sheets



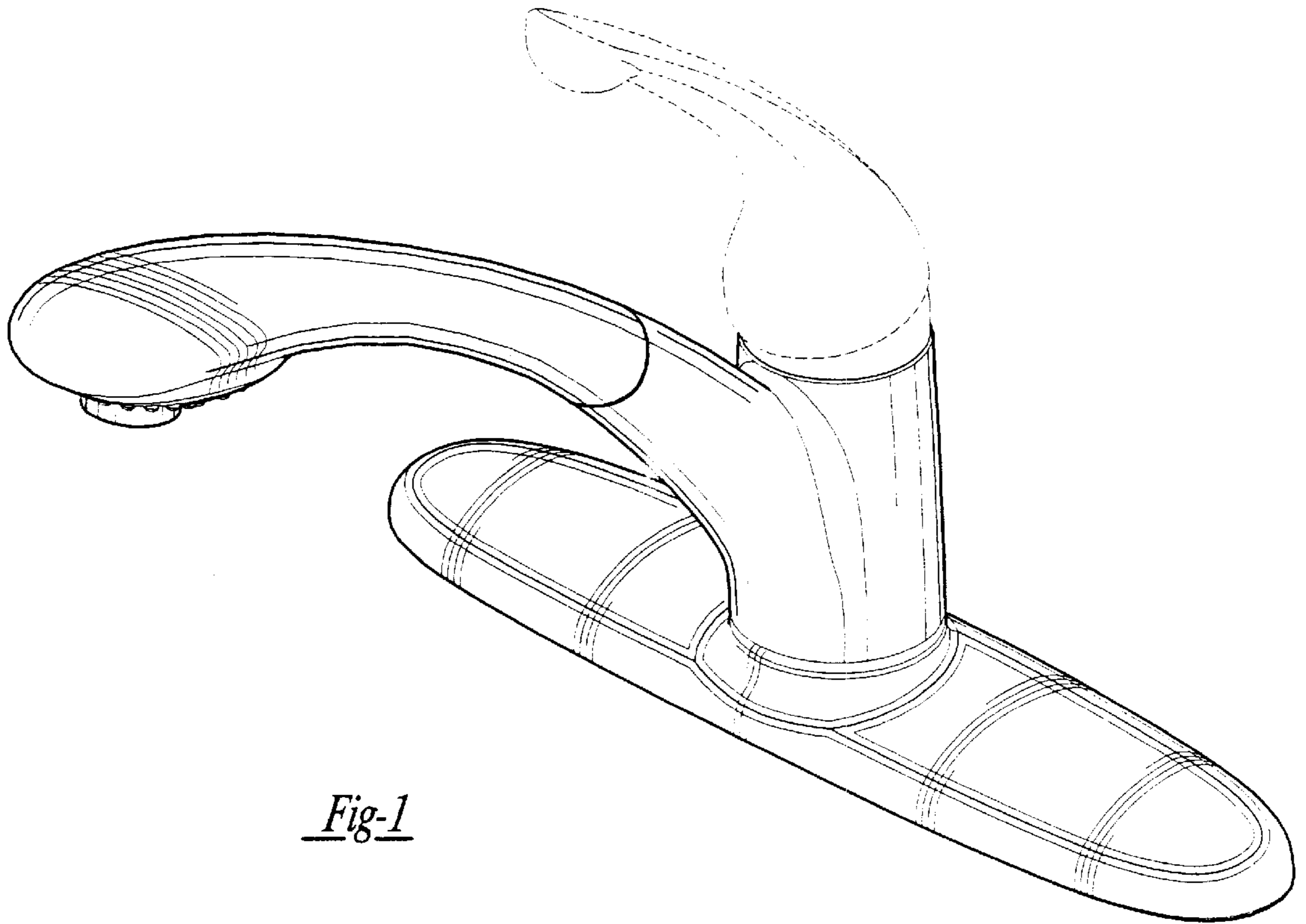


Fig-1

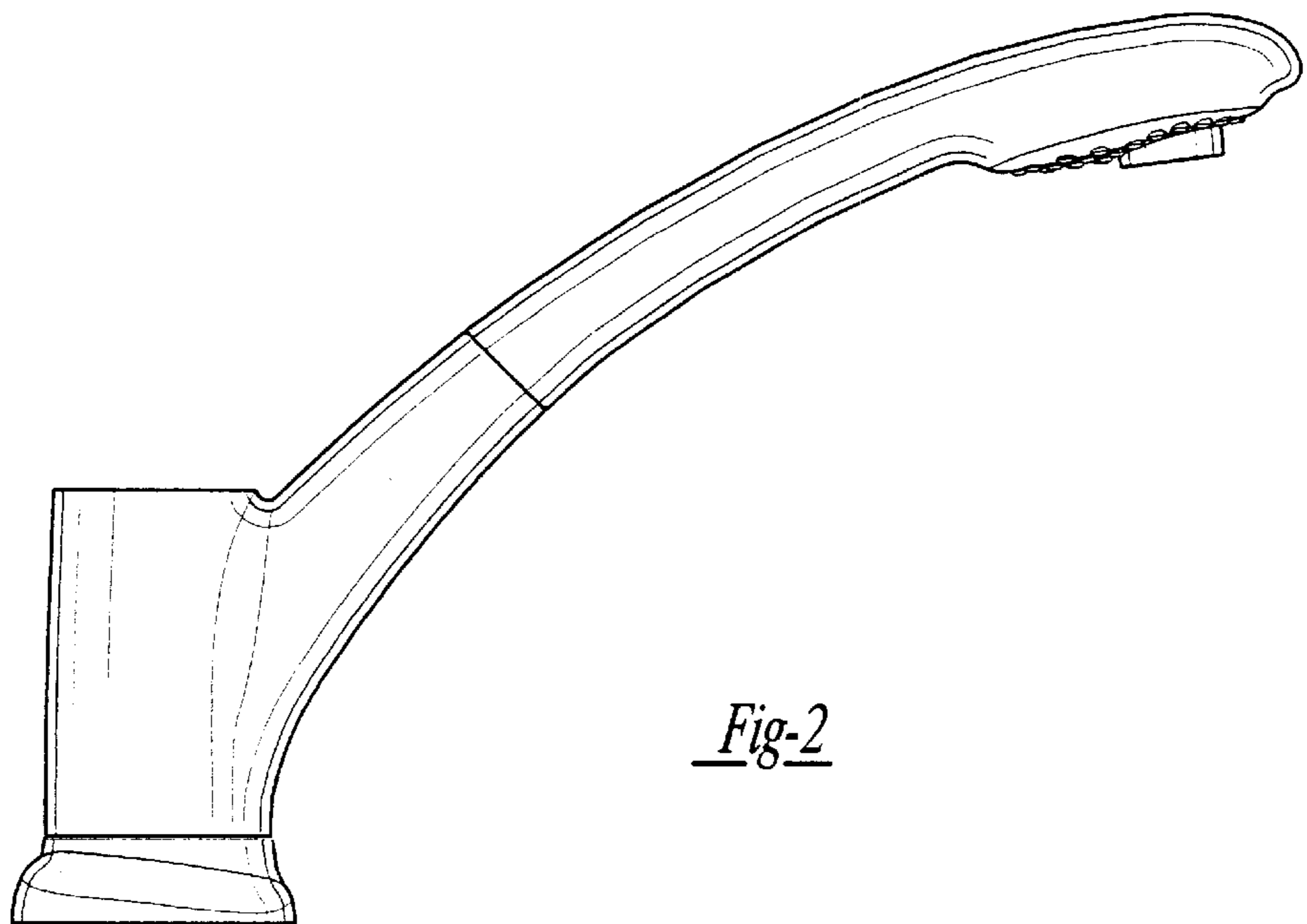


Fig-2

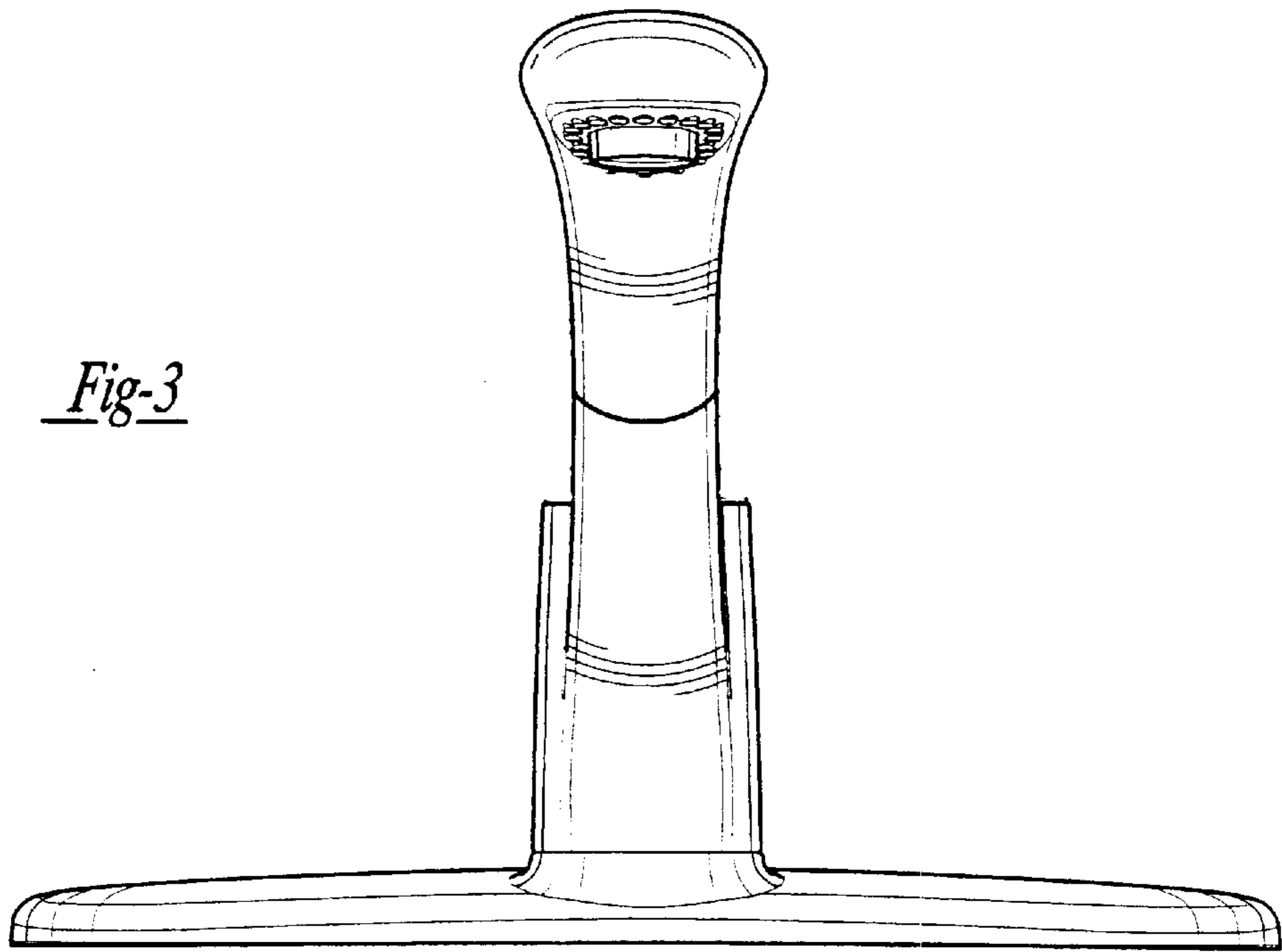


Fig-3

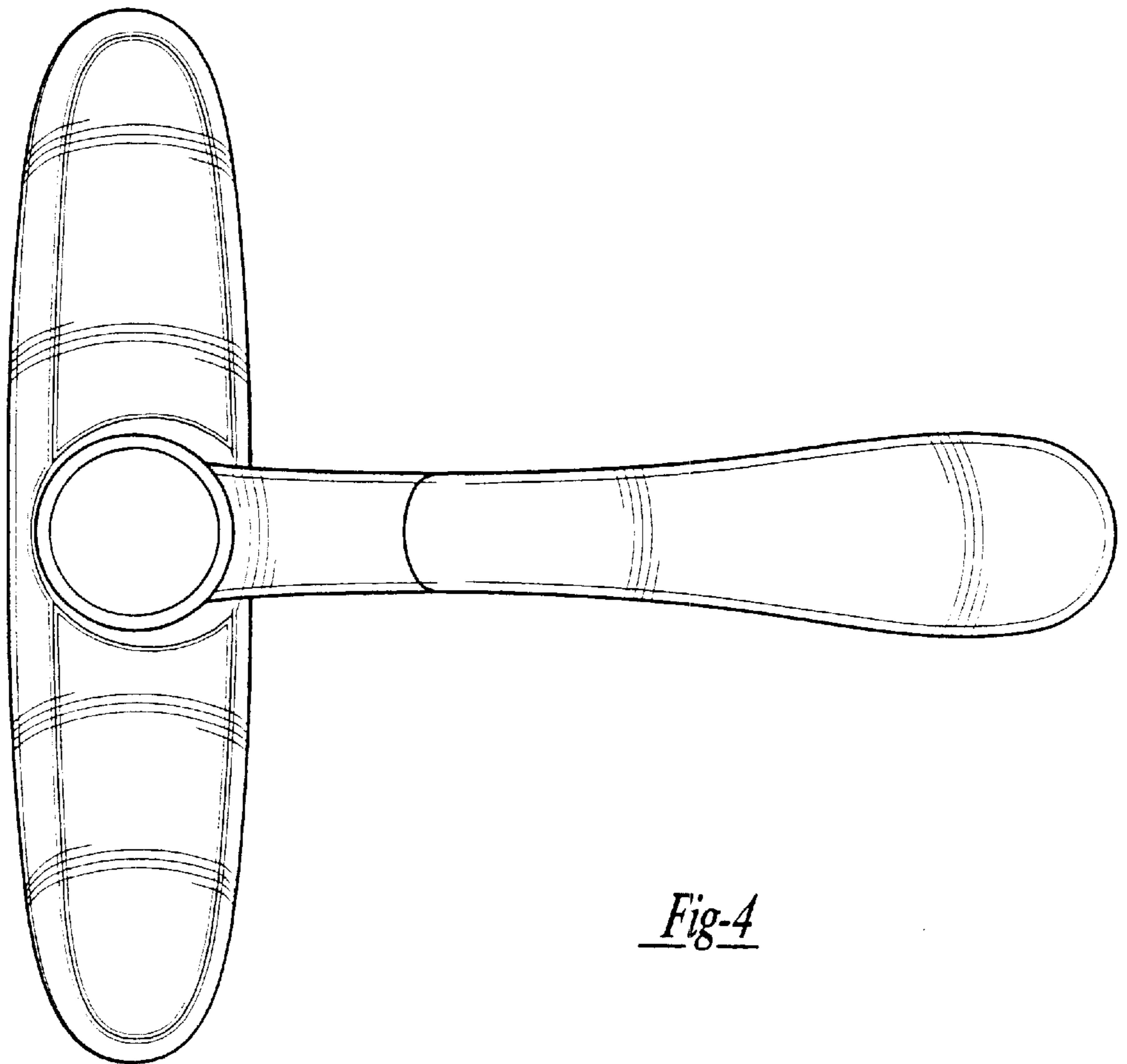
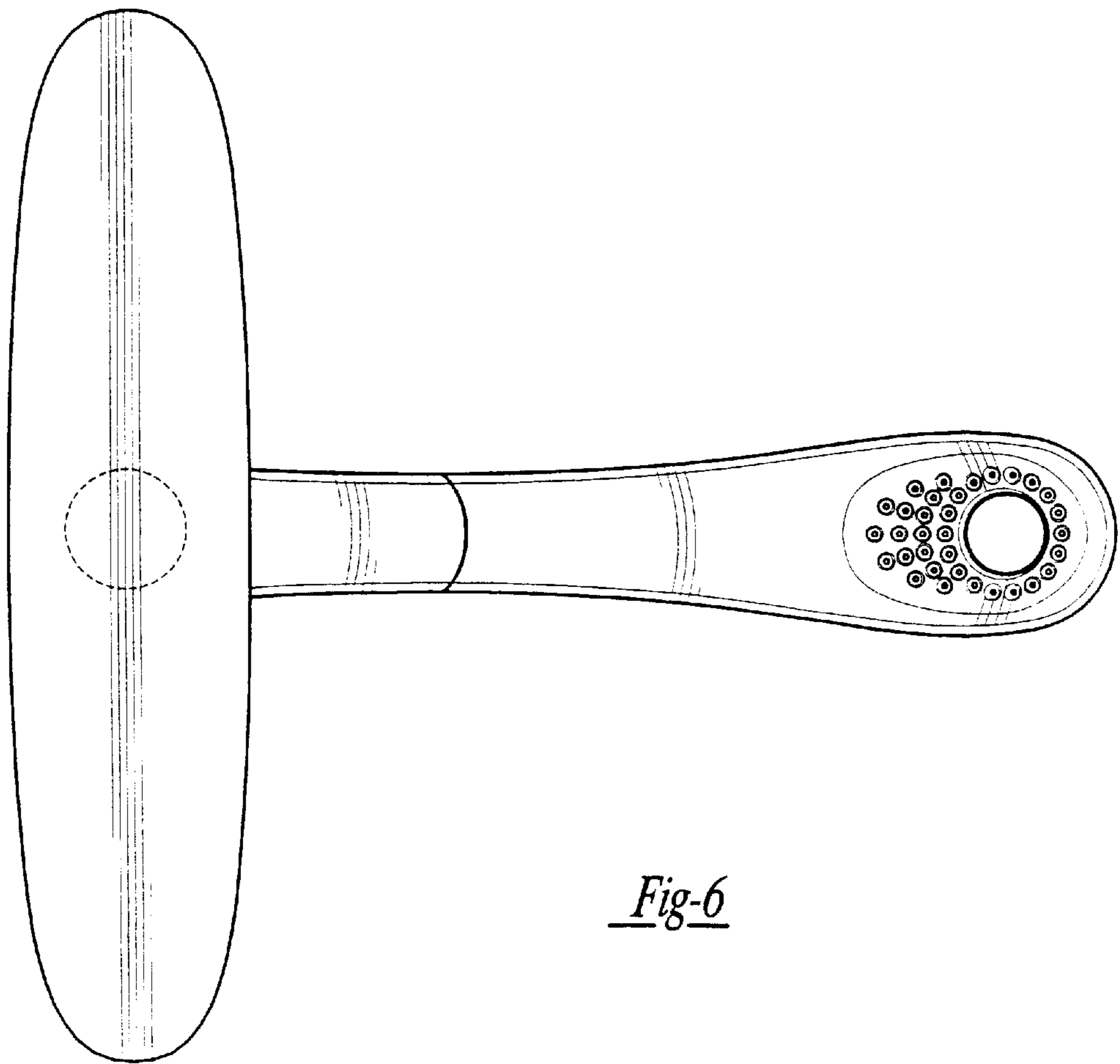
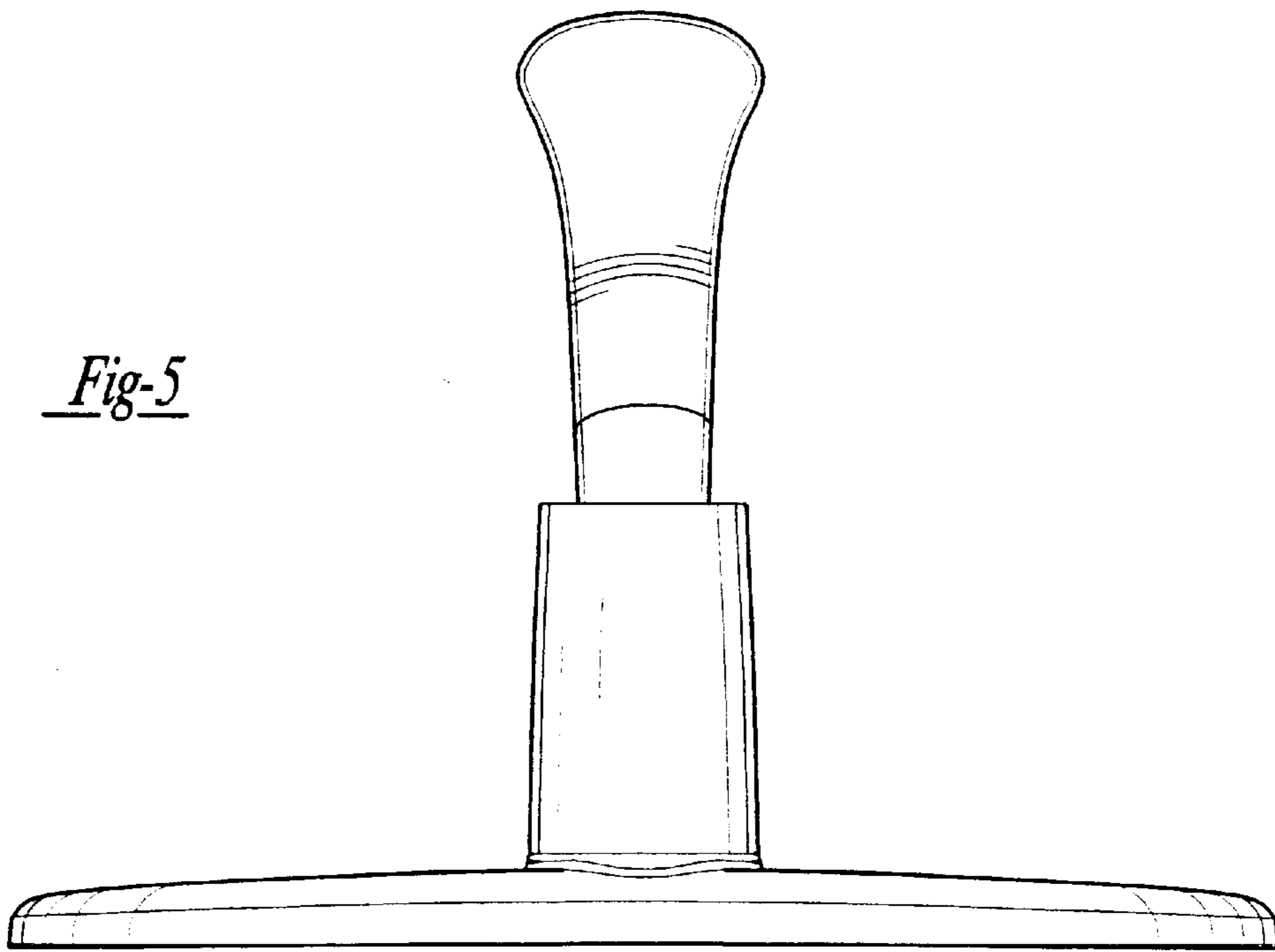


Fig-4



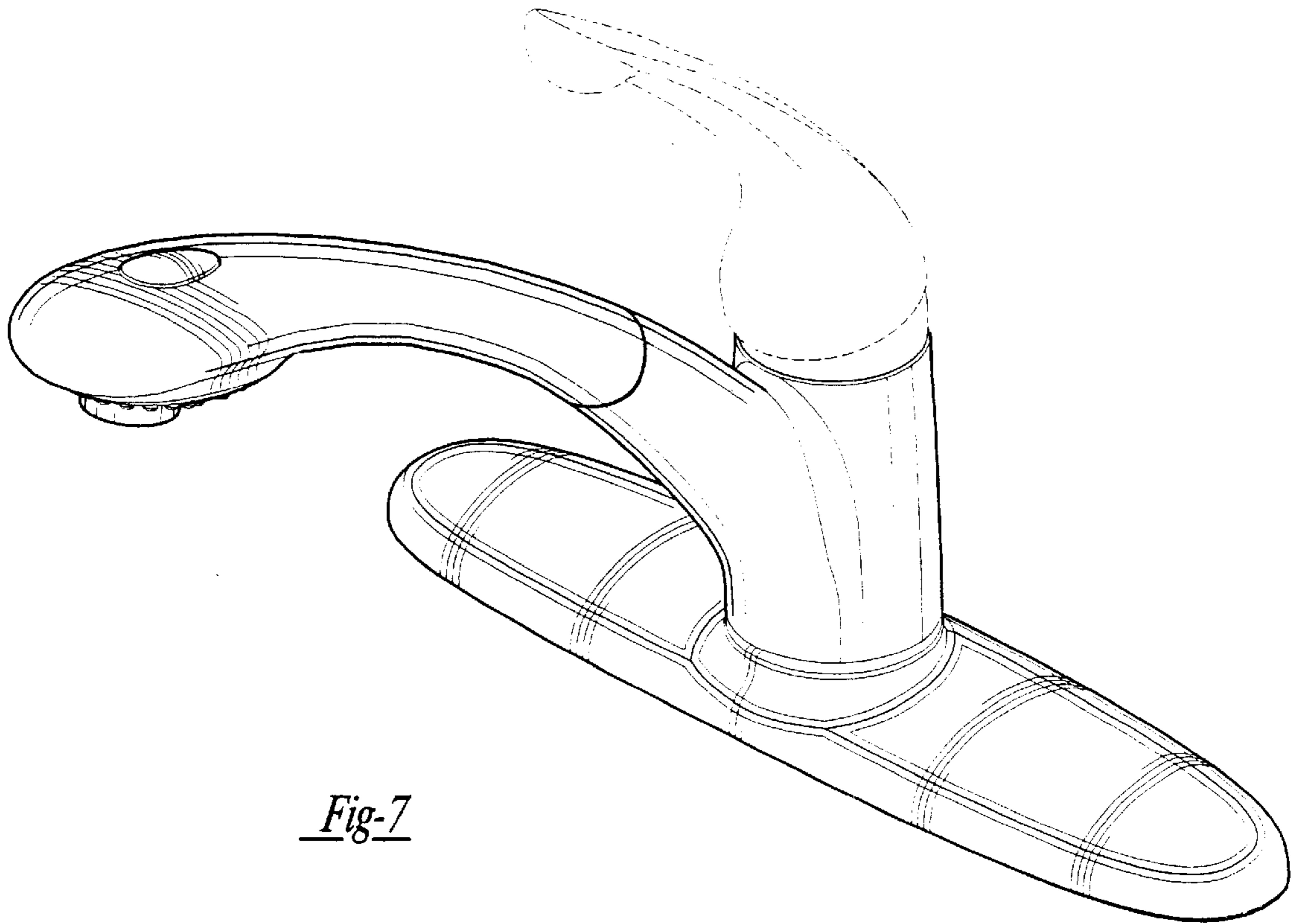


Fig-7

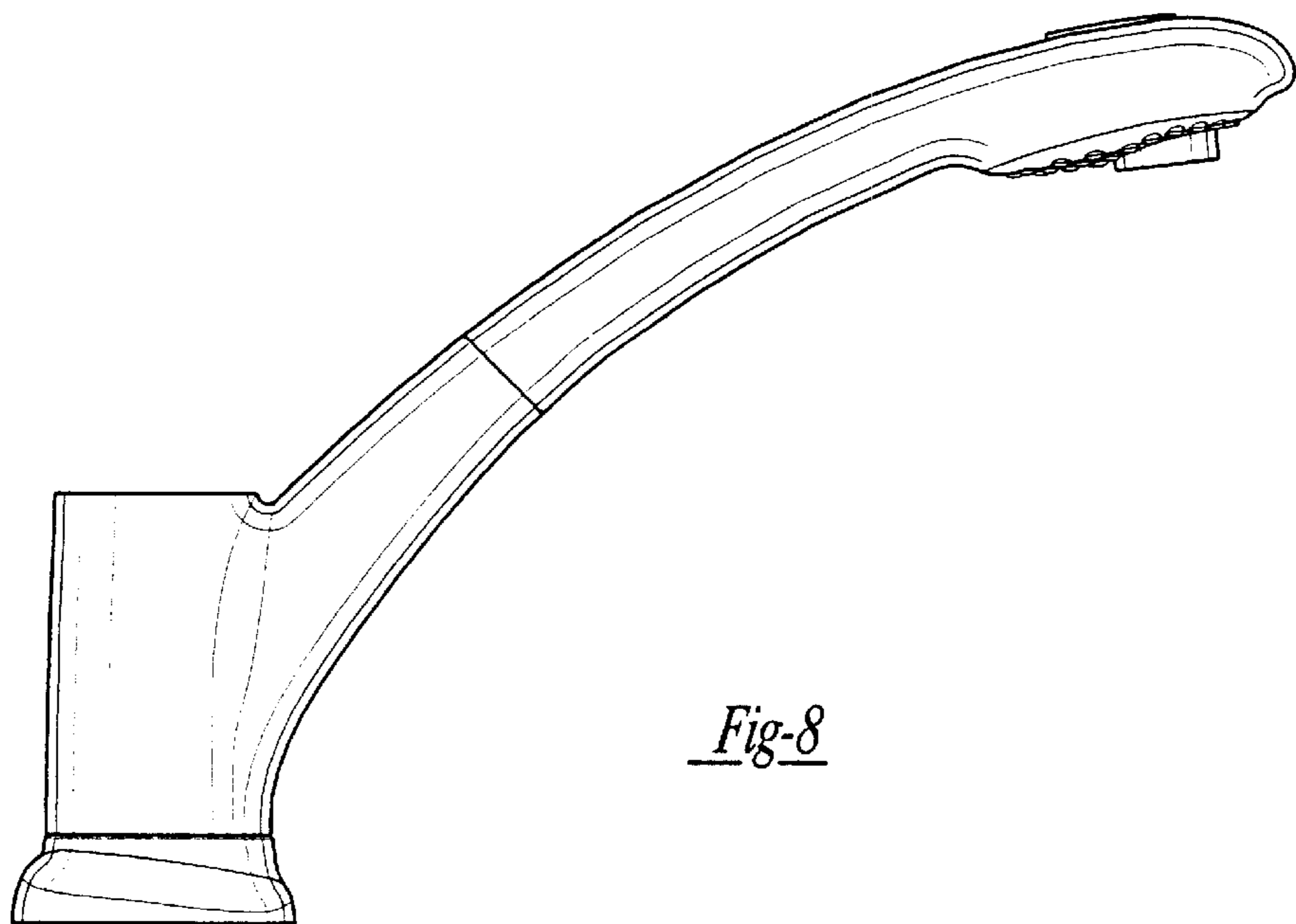


Fig-8

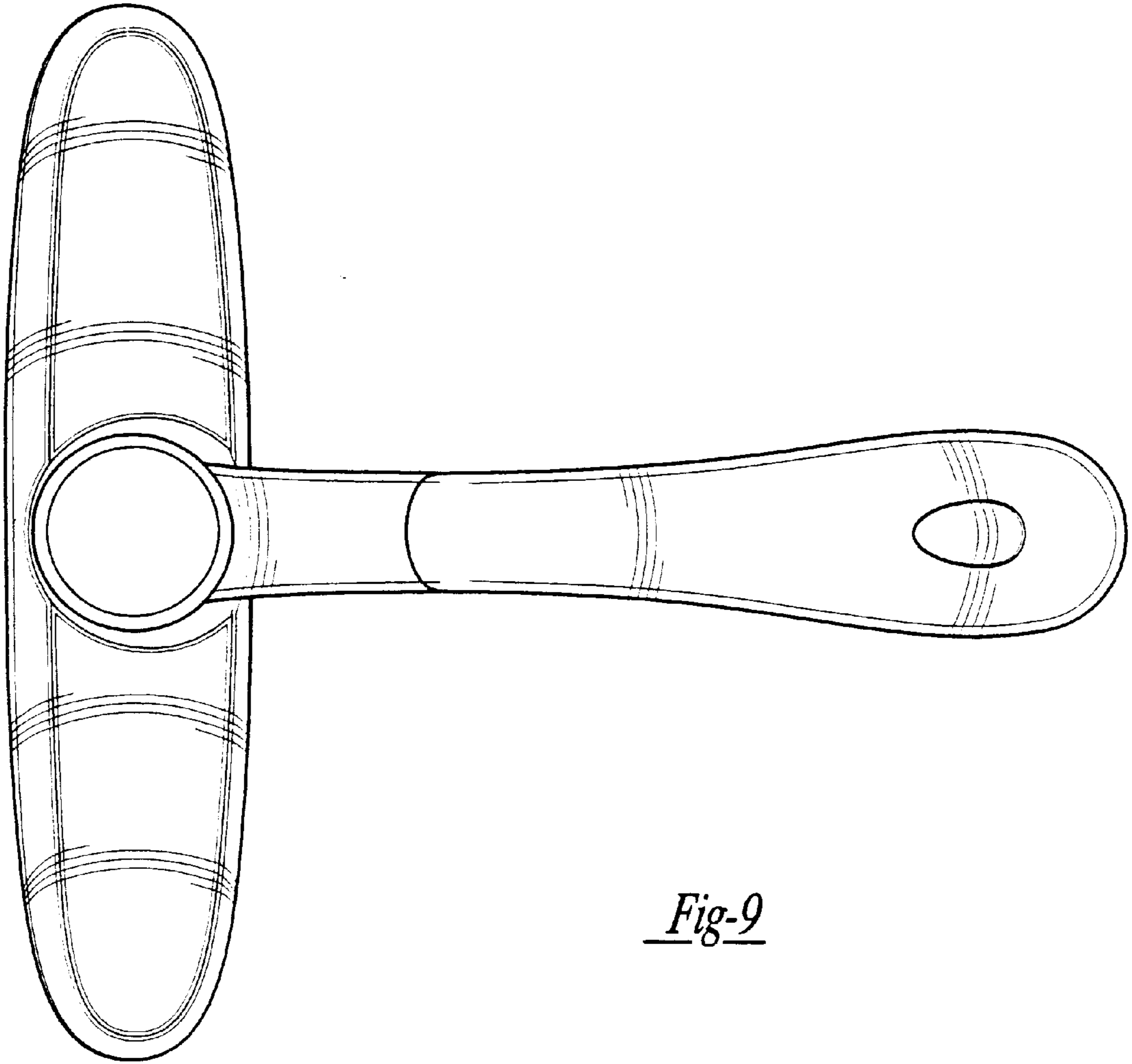


Fig-9