



US00D419644S

# United States Patent [19] Lord

[11] **Patent Number: Des. 419,644**  
[45] **Date of Patent: \*\* \*Jan. 25, 2000**

[54] **SINGLE HANDLE FAUCET WITH PULL-OUT SPRAY**

[75] Inventor: **Judd A. Lord, Carmel, Ind.**

[73] Assignee: **Masco Corporation of Indiana, Indianapolis, Ind.**

[\*] Notice: This patent is subject to a terminal disclaimer.

[\*\*] Term: **14 Years**

[21] Appl. No.: **29/094,535**

[22] Filed: **Oct. 5, 1998**

[51] **LOC (7) Cl. .... 23-01**

[52] **U.S. Cl. .... D23/243**

[58] **Field of Search ..... D23/238-243, D23/250-257; 4/675-678; 137/801**

[56] **References Cited**

**U.S. PATENT DOCUMENTS**

- D. 213,874 4/1969 Landell .
- D. 219,779 1/1971 Tiller .
- D. 290,492 6/1987 Hill et al. .
- D. 290,992 7/1987 Hill et al. .
- D. 291,117 7/1987 Ryan .
- D. 293,601 1/1988 Hill et al. .
- D. 323,877 2/1992 Haug et al. .
- D. 331,796 12/1992 Spangler .
- D. 352,766 11/1994 Hill et al. .
- D. 360,931 8/1995 Mark et al. .
- D. 363,536 10/1995 Hill et al. .
- D. 364,211 11/1995 Hill et al. .
- D. 364,218 11/1995 Hill et al. .
- D. 364,219 11/1995 Hill et al. .

- D. 364,220 11/1995 Hill et al. .
- D. 366,099 1/1996 Hill et al. .
- D. 367,697 3/1996 Haug et al. .
- D. 367,699 3/1996 Hill et al. .
- D. 367,701 3/1996 Hill et al. .
- D. 367,920 3/1996 Hill et al. .
- D. 368,764 4/1996 Hill et al. .
- D. 368,958 4/1996 Hill et al. .
- D. 388,156 12/1997 Hill et al. .

**OTHER PUBLICATIONS**

Delta Full Line Catalog, pp. 4, 5, 1994.  
Delta Catalog, "The Way Water is Brought to Life", 2 pages, 1991.

*Primary Examiner*—Eric Watterson  
*Attorney, Agent, or Firm*—Myron B. Kapustij; Lloyd D. Doigan

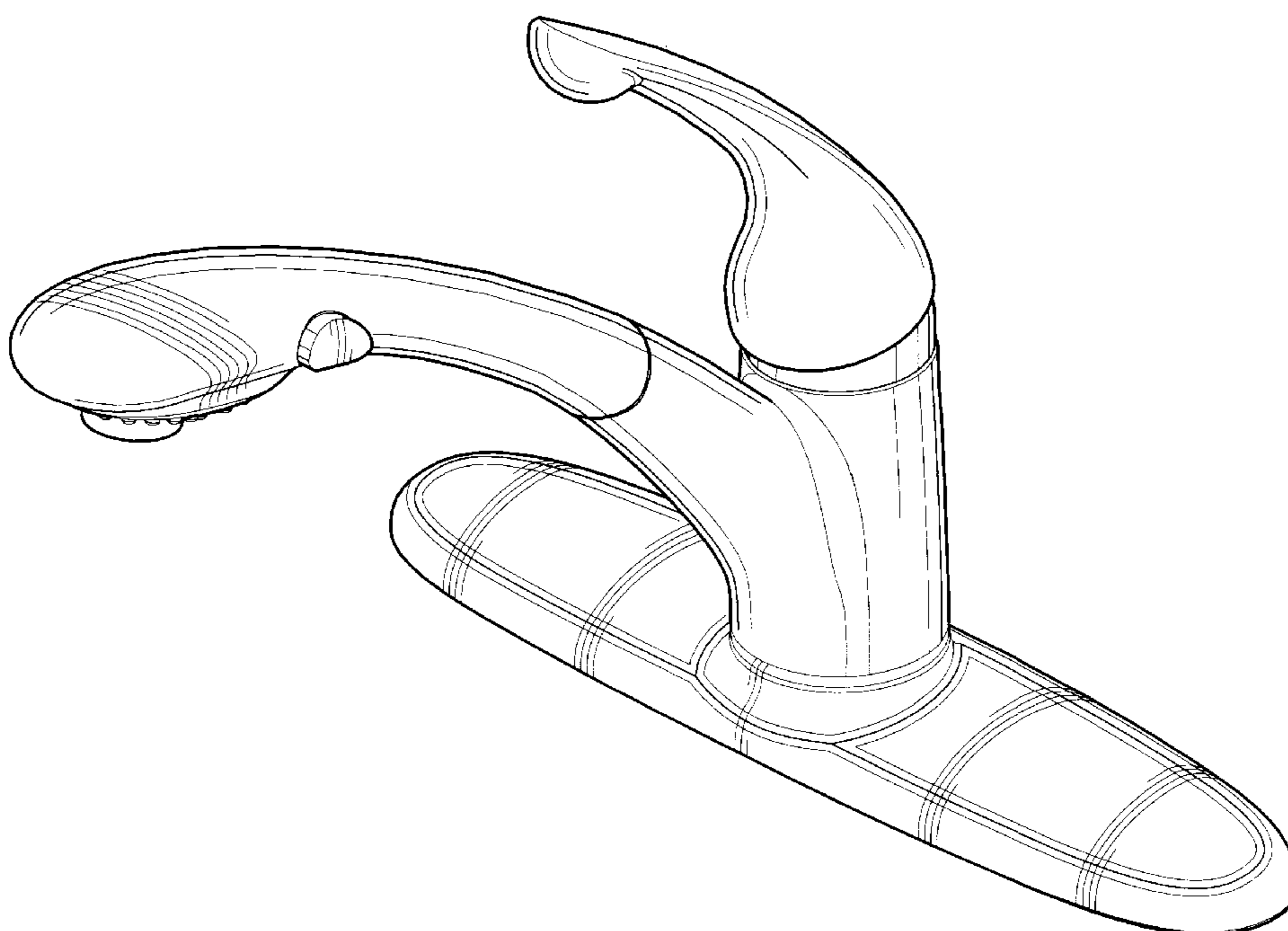
[57] **CLAIM**

The ornamental design for a single handle faucet with pull-out spray, as shown and described.

**DESCRIPTION**

FIG. 1 is a top, front perspective view of a single handle faucet with pull-out spray showing my new design; FIG. 2 is a right side elevational view thereof, the left side being a mirror image; FIG. 3 is front elevational view thereof; FIG. 4 is a top plan view thereof; FIG. 5 is a rear elevational view thereof; and, FIG. 6 is a bottom plan view thereof. The broken line showing of the water inlet aperture in FIG. 6 is for purposes of illustration only and form no part of the claimed design.

**1 Claim, 3 Drawing Sheets**



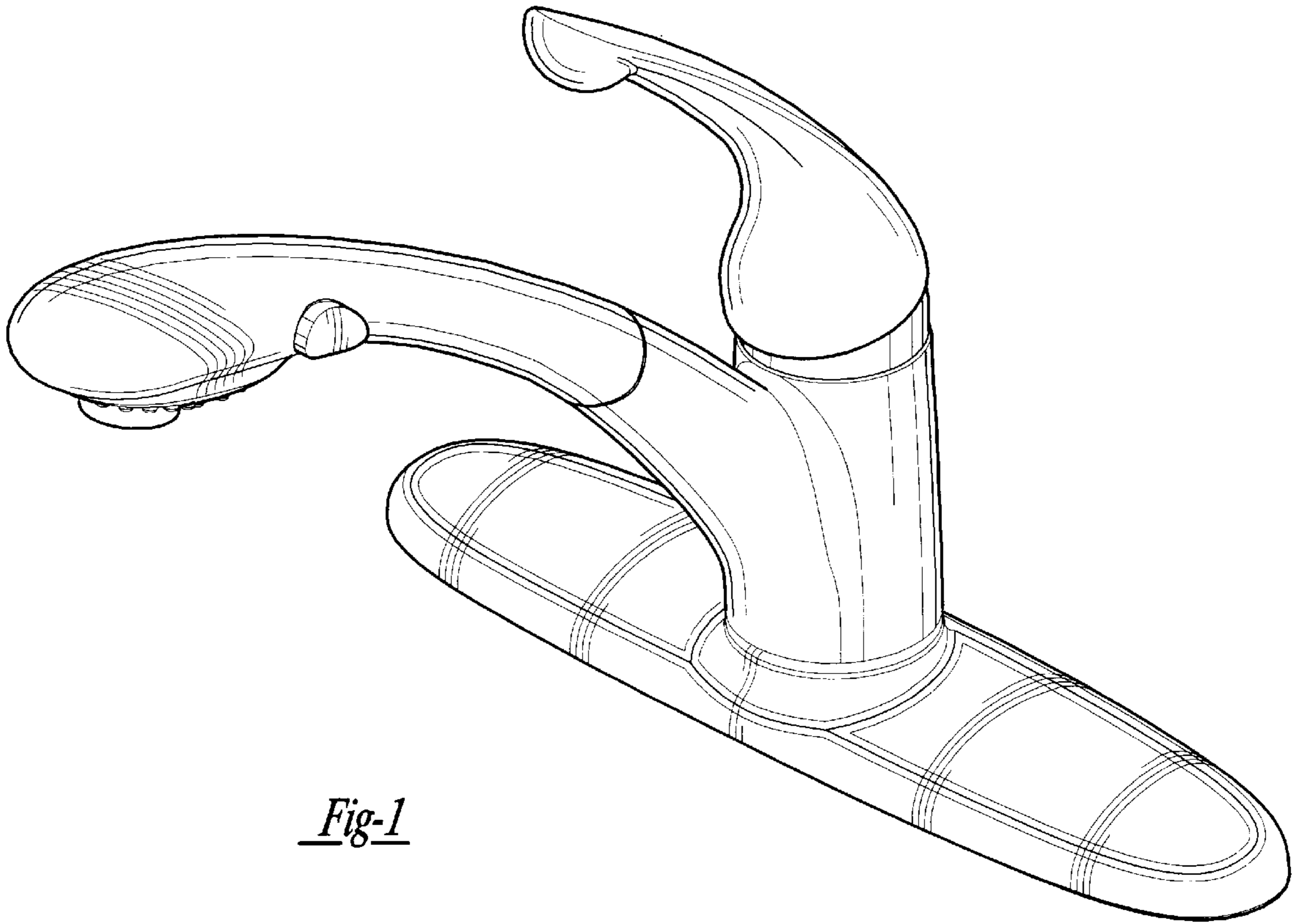


Fig-1

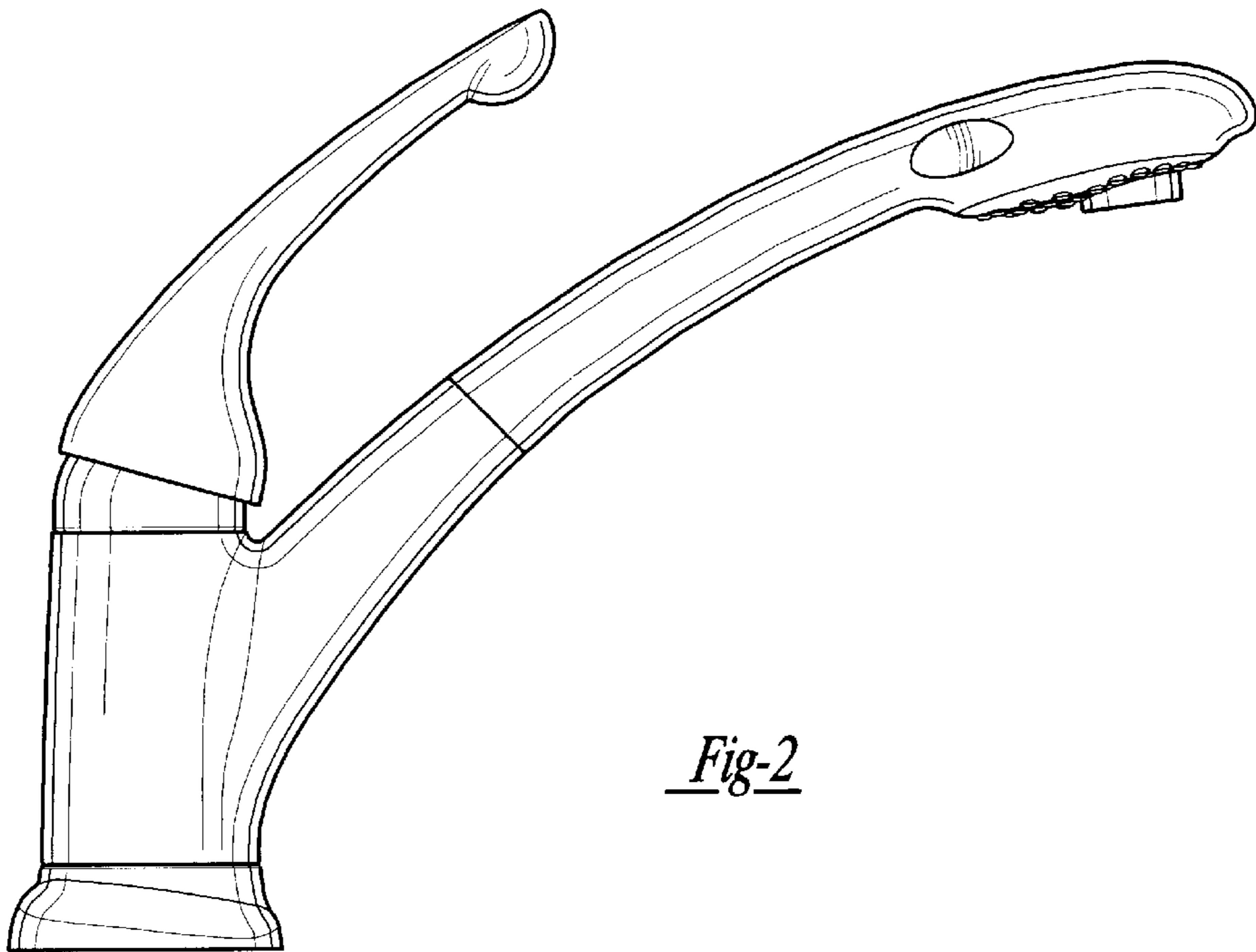


Fig-2

Fig-3

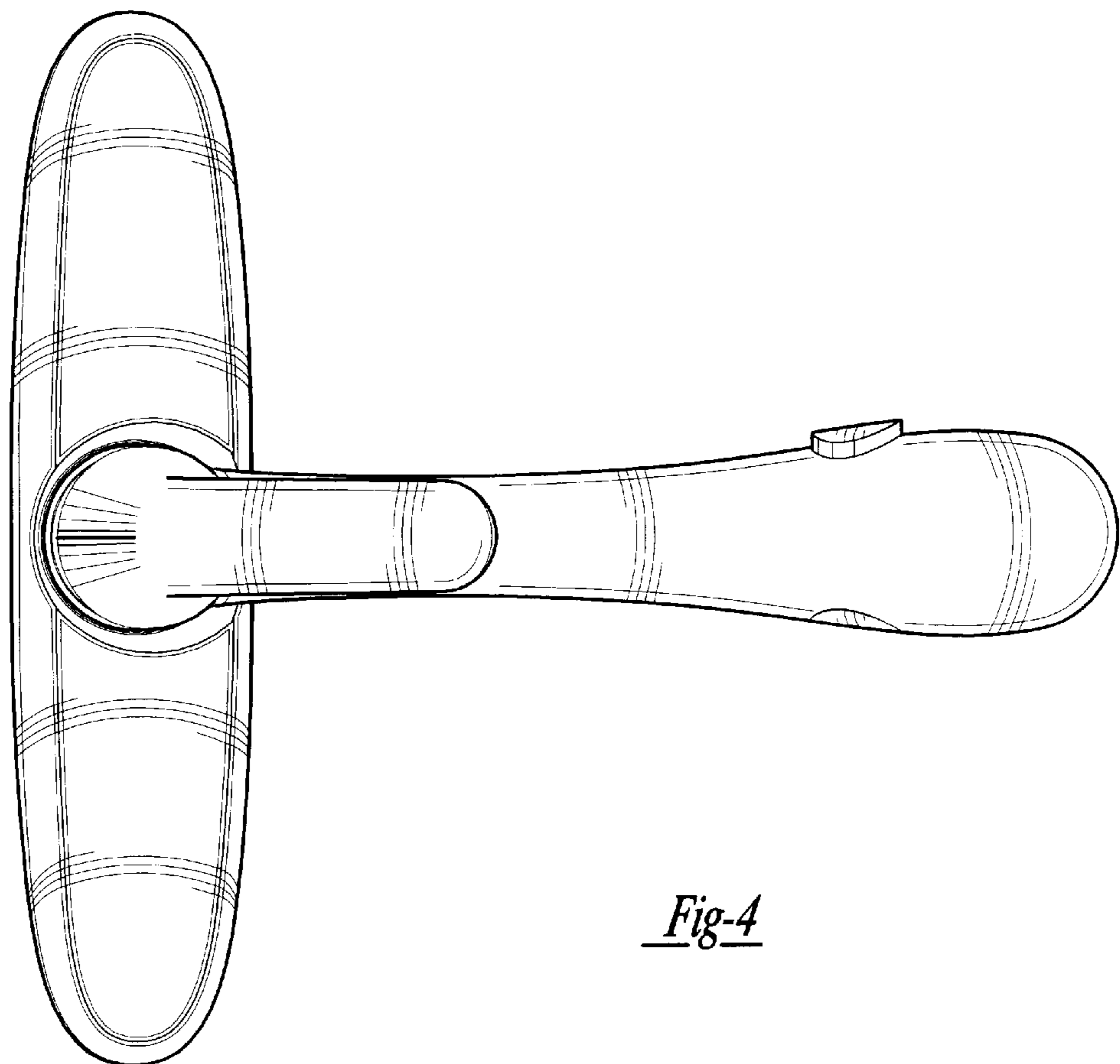
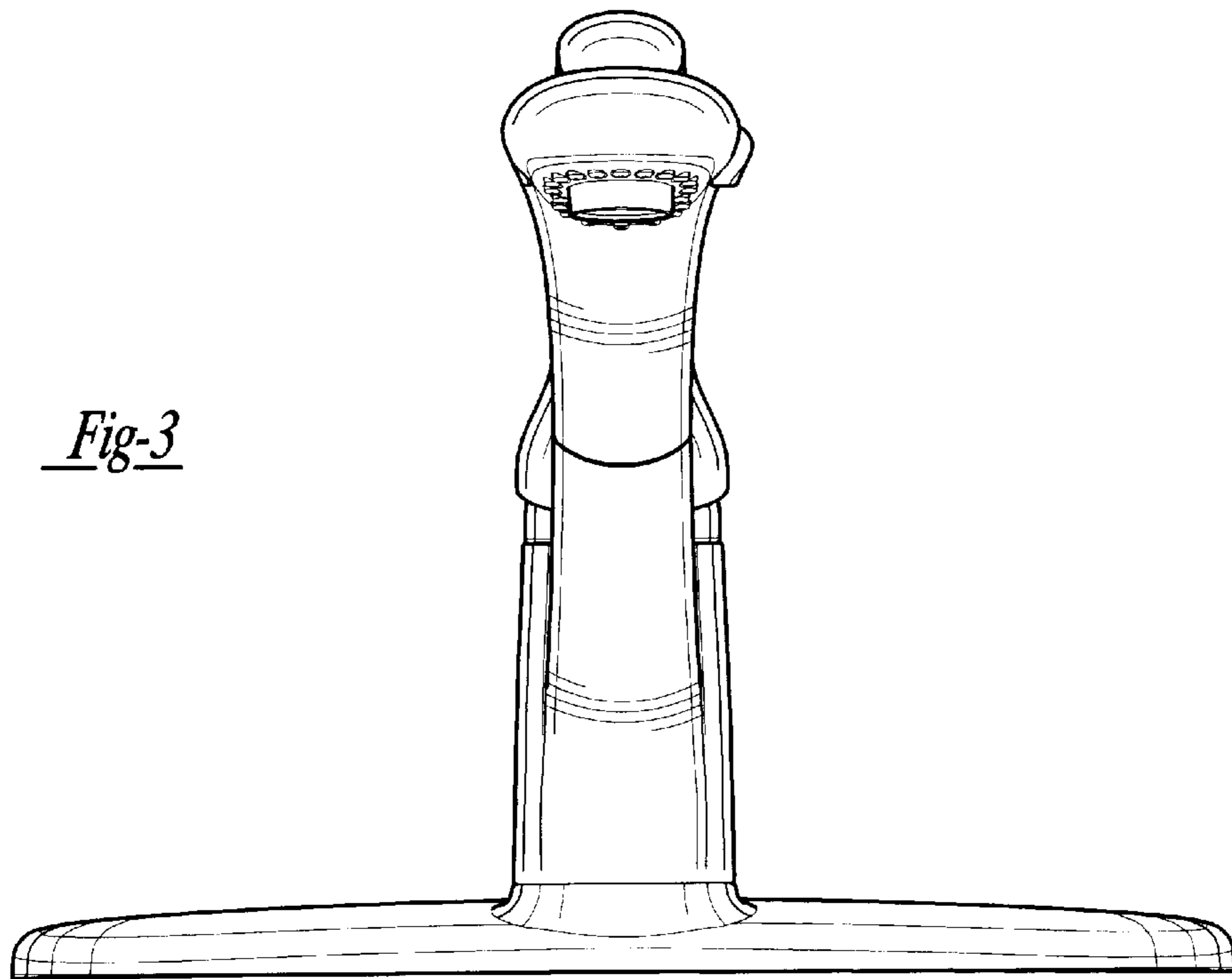


Fig-4

Fig-5

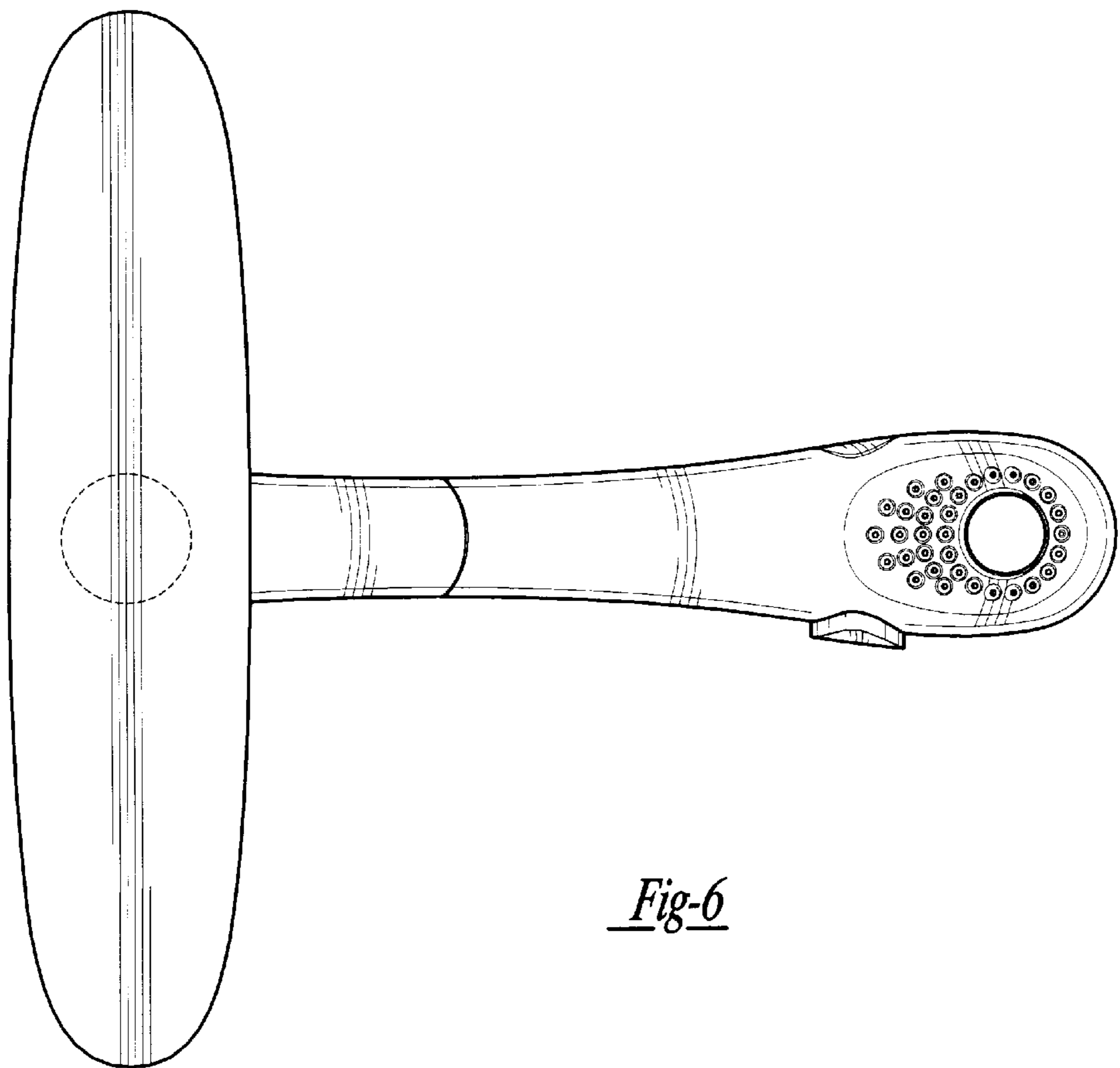
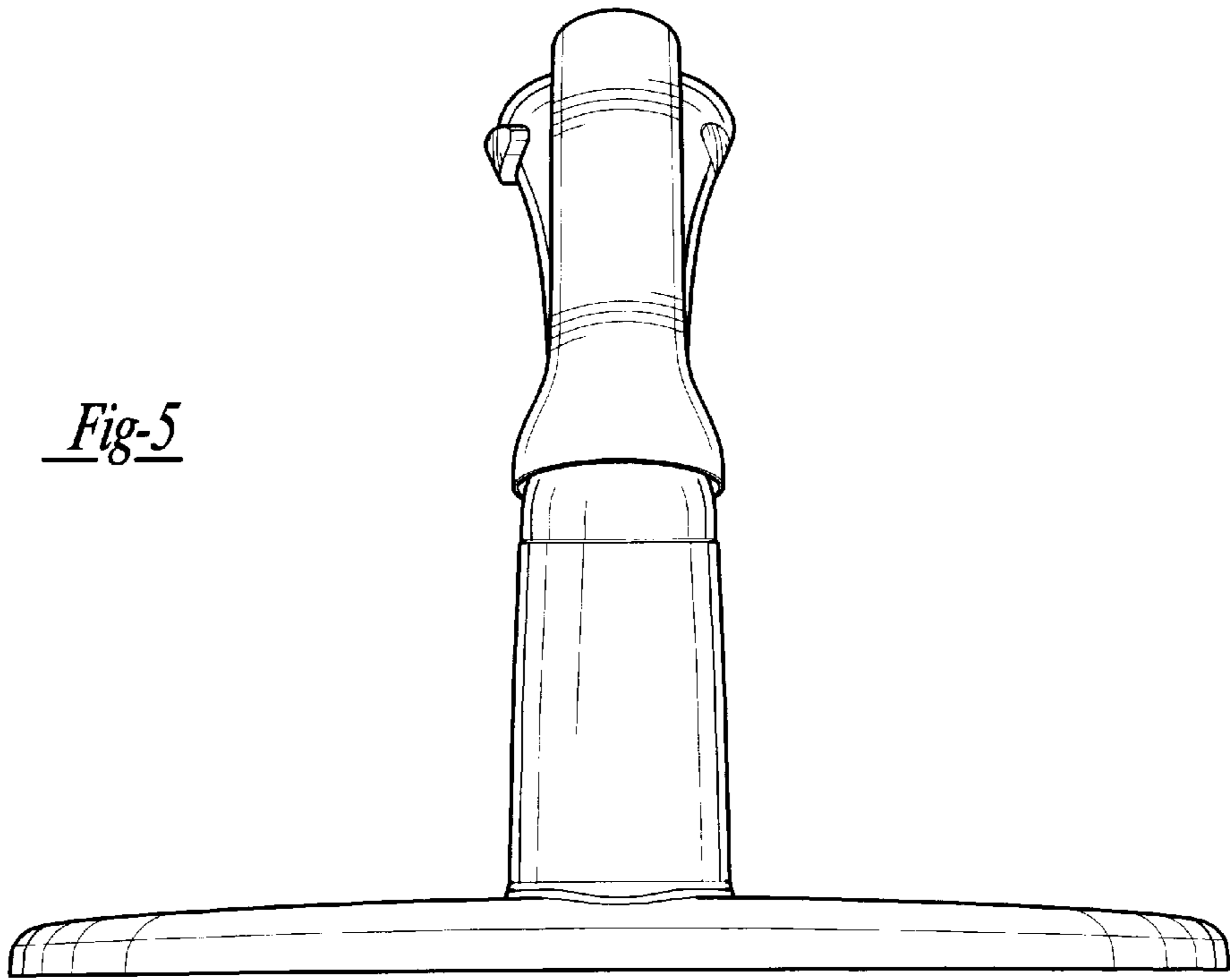


Fig-6