



US00D419643S

United States Patent [19] Gottwald et al.

[11] **Patent Number: Des. 419,643**

[45] **Date of Patent: ** Jan. 25, 2000**

[54] **SHOWER FAUCET**

[75] Inventors: **Adolf Gottwald**, Iserlohn; **Daniel Müllenmeister**, Havixbeck, both of Germany

[73] Assignee: **Friedrich Grohe AG**, Hemer, Germany

[**] Term: **14 Years**

[21] Appl. No.: **29/104,805**

[22] Filed: **May 12, 1999**

[30] **Foreign Application Priority Data**

Dec. 18, 1998 [DE] Germany 498 12 216

[51] **LOC (7) Cl.** **23-01**

[52] **U.S. Cl.** **D23/238**

[58] **Field of Search** D23/238-243,
D23/250-257; 4/675-678; 137/801

[56] **References Cited**

U.S. PATENT DOCUMENTS

D. 375,784 11/1996 Gottwald D23/238

D. 390,917	2/1998	Kergoet	D23/238
D. 393,051	3/1998	Lobermeier	D23/238
D. 409,284	5/1999	Gottwald	D23/238
D. 410,068	5/1999	Gottwald	D23/238
D. 411,610	6/1999	Lobermeier	D23/238

Primary Examiner—Eric Watterson
Attorney, Agent, or Firm—Herbert Dubno

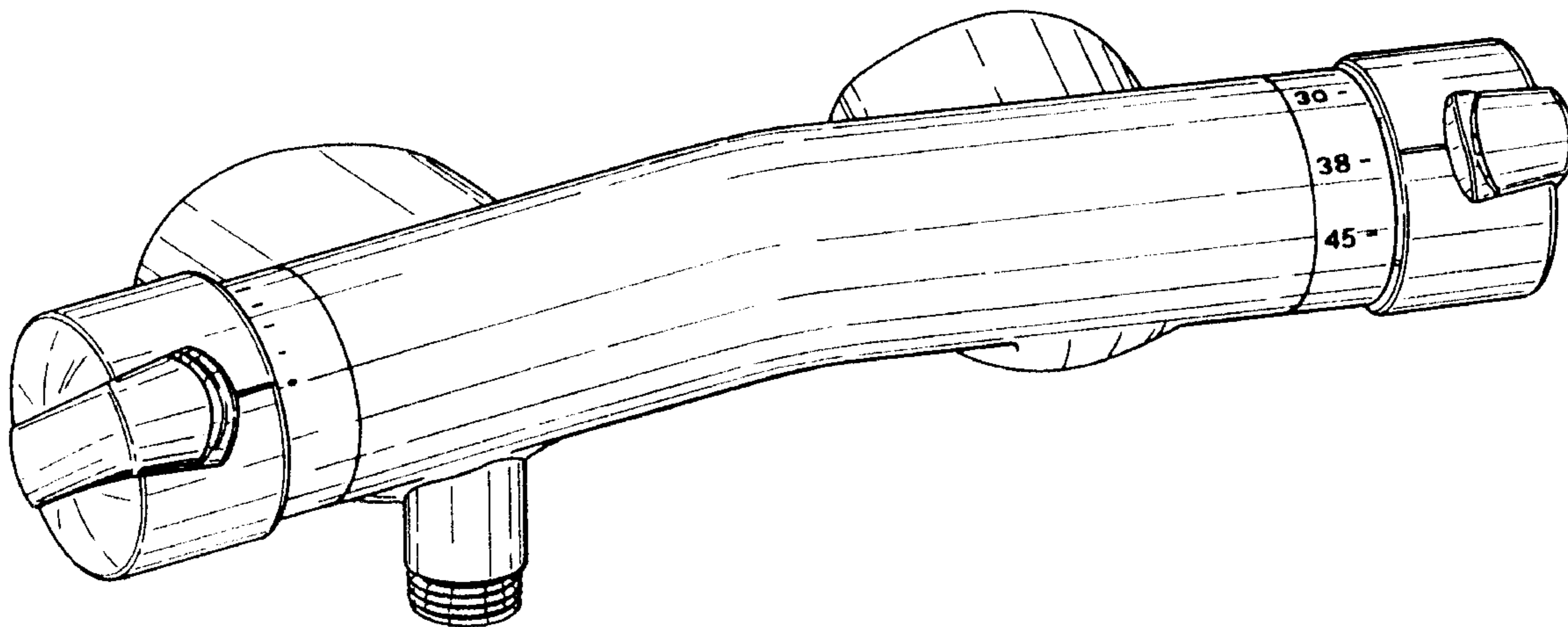
[57] **CLAIM**

The ornamental design for a shower faucet, as shown.

DESCRIPTION

FIG. 1 is a top, front, left-side perspective view of a shower faucet showing my new design;
FIG. 2 is a top plan view thereof;
FIG. 3 is a front elevational view thereof;
FIG. 4 is a bottom plan view thereof;
FIG. 5 is a right side elevational thereof;
FIG. 6 is a left side elevational view thereof; and,
FIG. 7 is a rear view thereof.

1 Claim, 6 Drawing Sheets



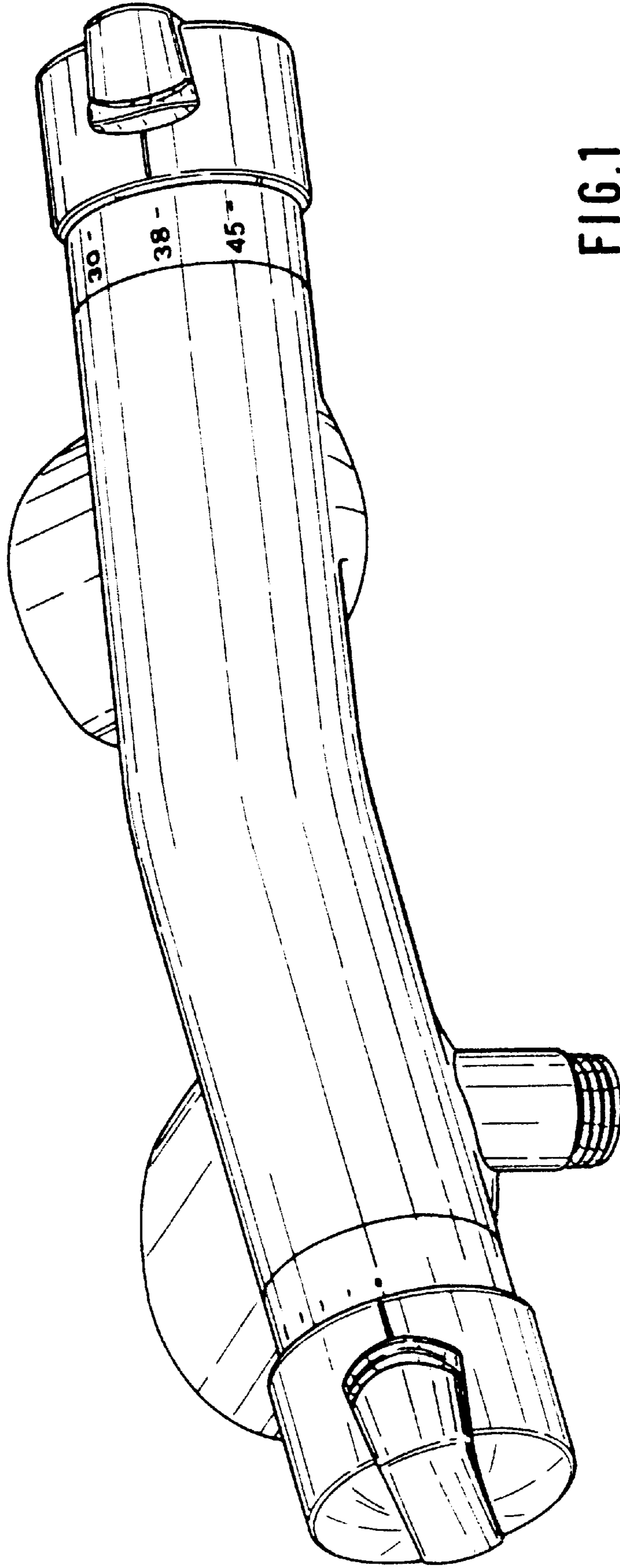


FIG.1

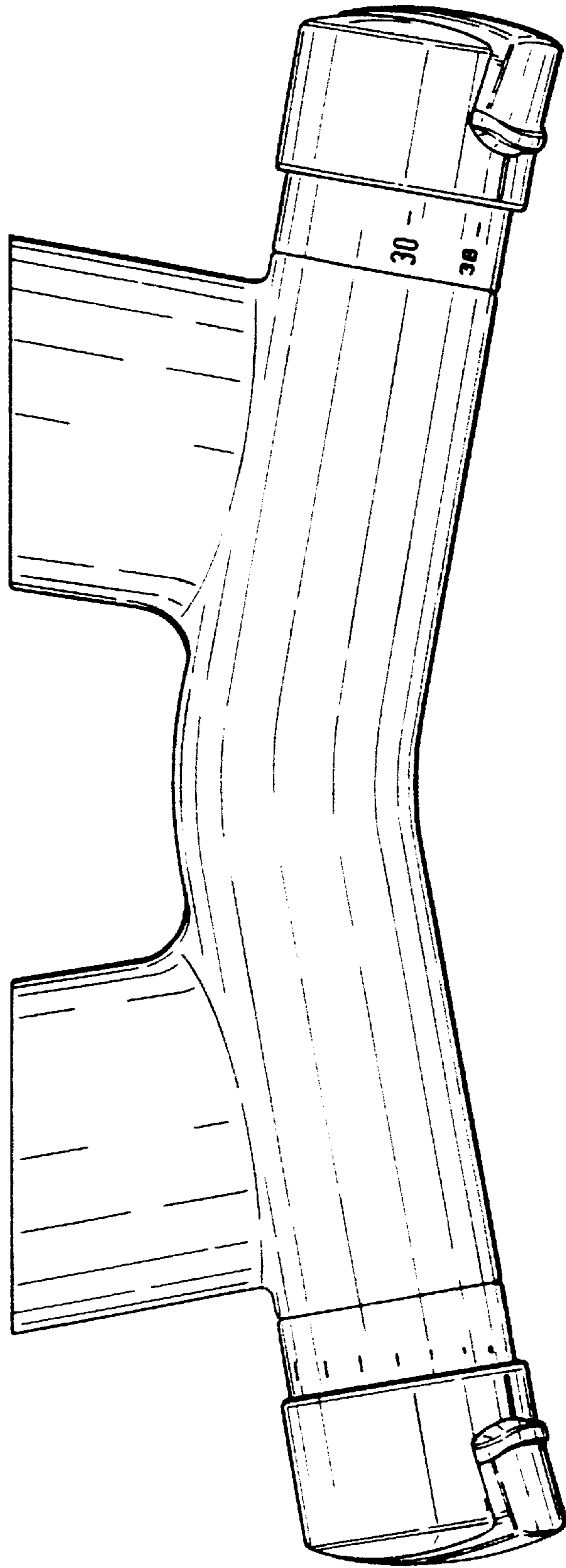


FIG. 2

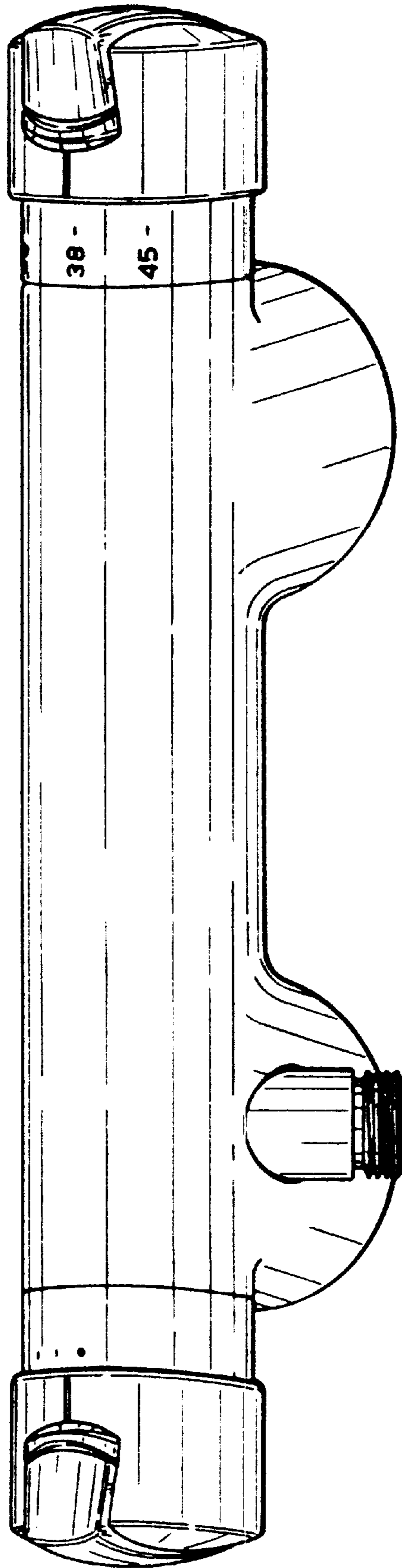


FIG. 3

FIG. 4

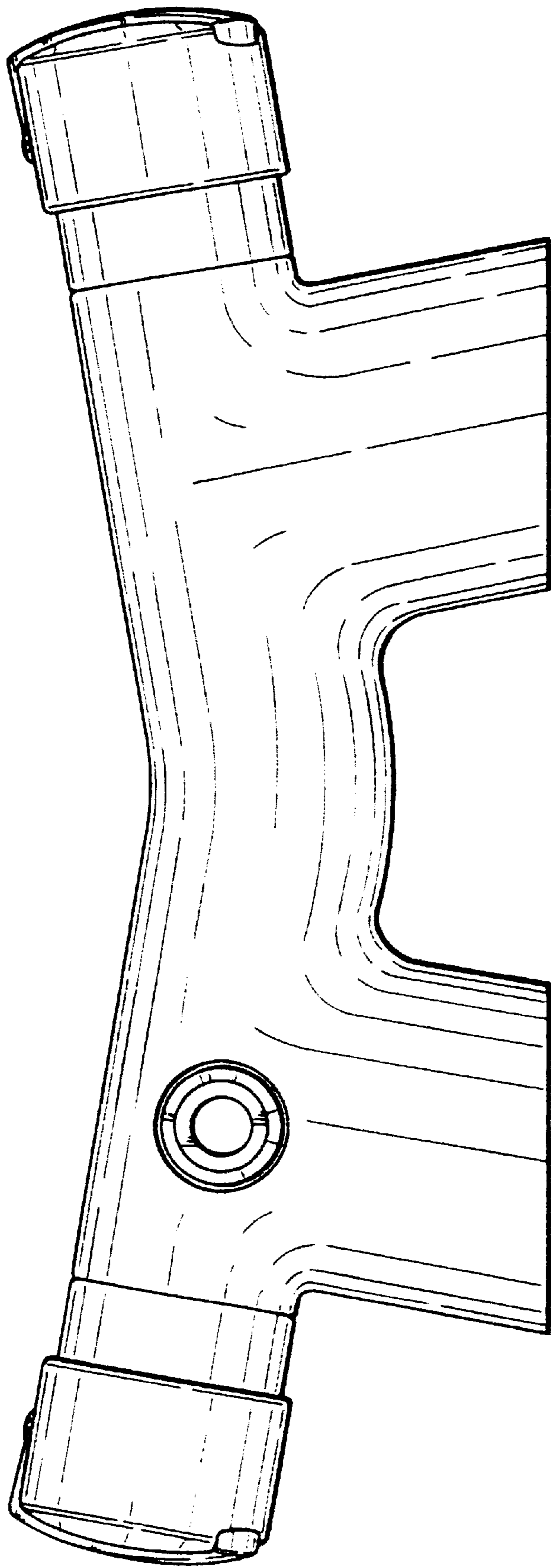


FIG. 5

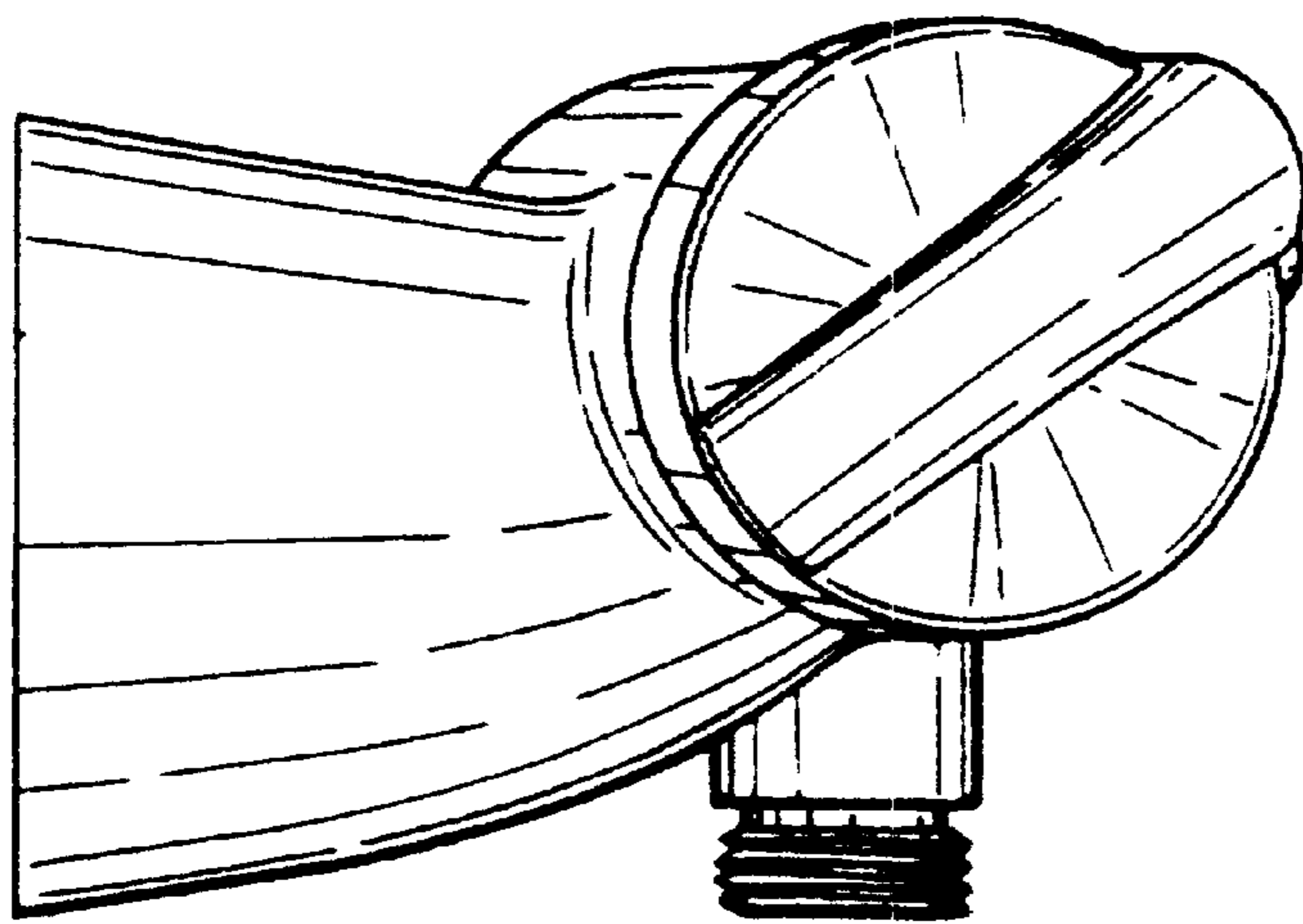
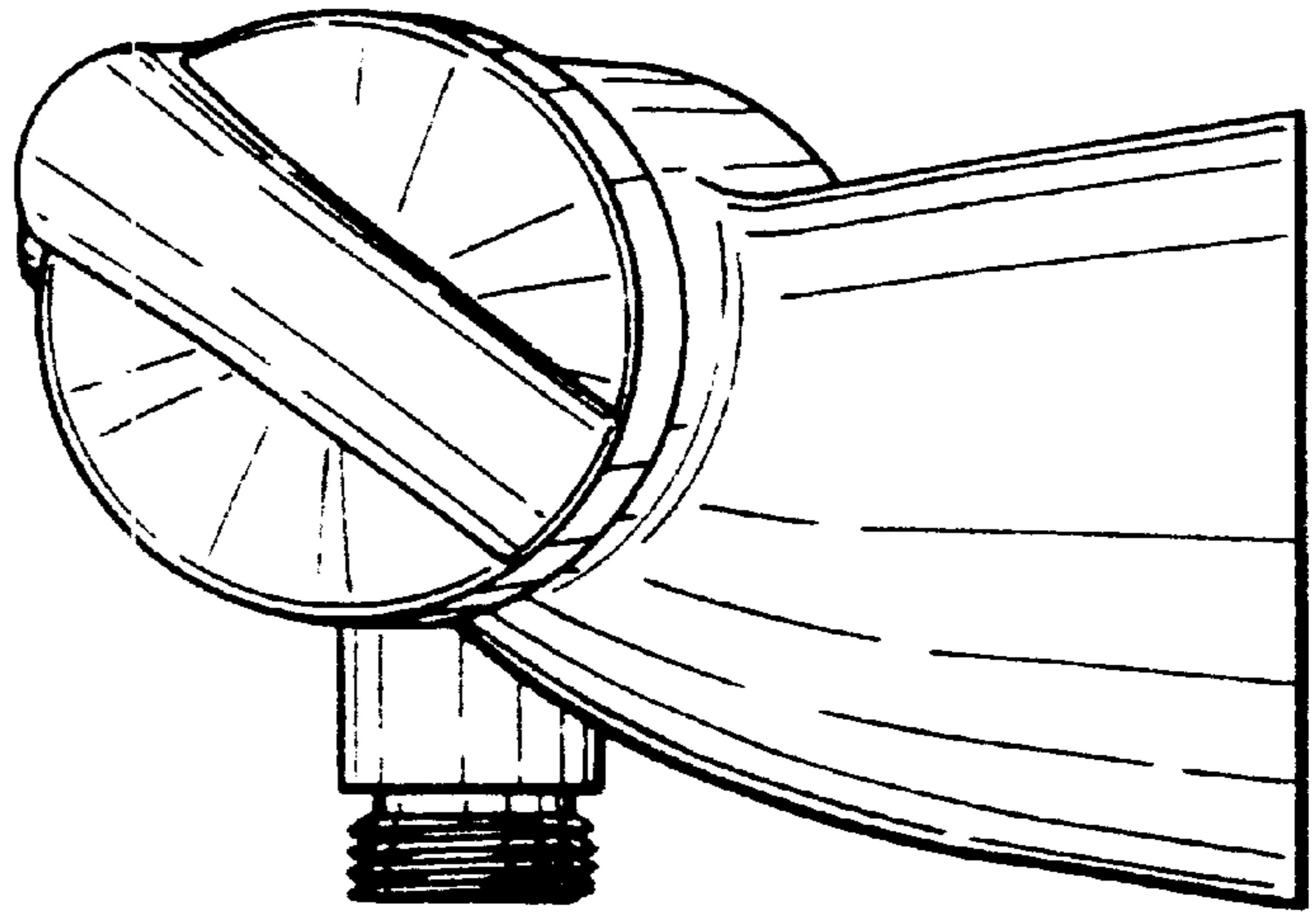


FIG. 6

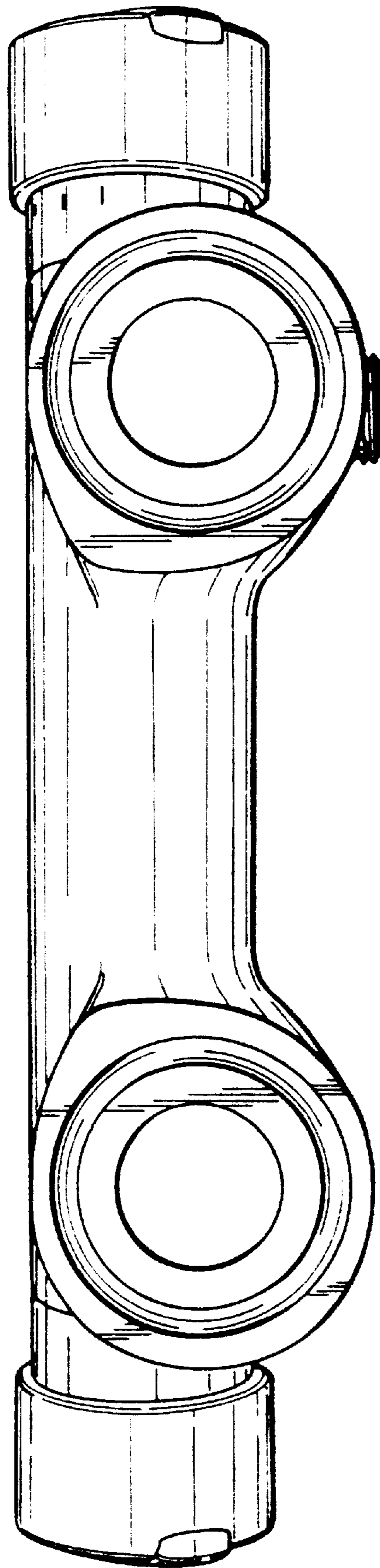


FIG. 7