



US00D419642S

United States Patent [19]
Hiramatsu et al.

[11] **Patent Number: Des. 419,642**
[45] **Date of Patent: ** Jan. 25, 2000**

[54] **SOLENOID-OPERATED PILOT VALVE**

[75] Inventors: **Kazuo Hiramatsu; Takashi Akimoto,**
both of Tsukuba-gun, Japan

[73] Assignee: **SMC Corporation,** Tokyo, Japan

[**] Term: **14 Years**

[21] Appl. No.: **29/094,748**

[22] Filed: **Oct. 9, 1998**

[30] **Foreign Application Priority Data**

Apr. 13, 1998 [JP] Japan 10-10524

[51] **LOC (7) Cl.** **23-01**

[52] **U.S. Cl.** **D23/233**

[58] **Field of Search** D23/233-237,
D23/245-248; 137/596.13, 596.16, 625.64,
884

[56] **References Cited**

U.S. PATENT DOCUMENTS

D. 200,454	2/1965	Everitt	D23/233
5,437,306	8/1995	Asou et al.	137/625.64
5,462,087	10/1995	Fukano et al.	137/884
5,603,355	2/1997	Miyazoe et al.	137/625.64

OTHER PUBLICATIONS

The design of the present application was displayed at IFPEX '87 Exhibition—Oct. 21–24, 1997. IFPEX '97 Catalogue, issued on Oct. 13, 1997.

Primary Examiner—Robin V. Taylor
Attorney, Agent, or Firm—Oblon, Spivak, McClelland, Maier & Neustadt, P.C.

[57] **CLAIM**

The ornamental design for solenoid-operated pilot valve, as shown and described.

DESCRIPTION

FIG. 1 is a top, front and left side perspective view of solenoid-operated pilot valve embodying our new design; FIG. 2 is a bottom, front and left side perspective thereof; FIG. 3 is a front elevational view thereof; FIG. 4 is a rear elevational view thereof; FIG. 5 is a top plan view thereof; FIG. 6 is a bottom plan view thereof; FIG. 7 is a left side elevational view thereof; FIG. 8 is a right side elevational view thereof; and, FIG. 9 is a top, front and left side perspective view shown in use with a main valve which is shown in broken lines and forming no part of the claimed design.

1 Claim, 2 Drawing Sheets

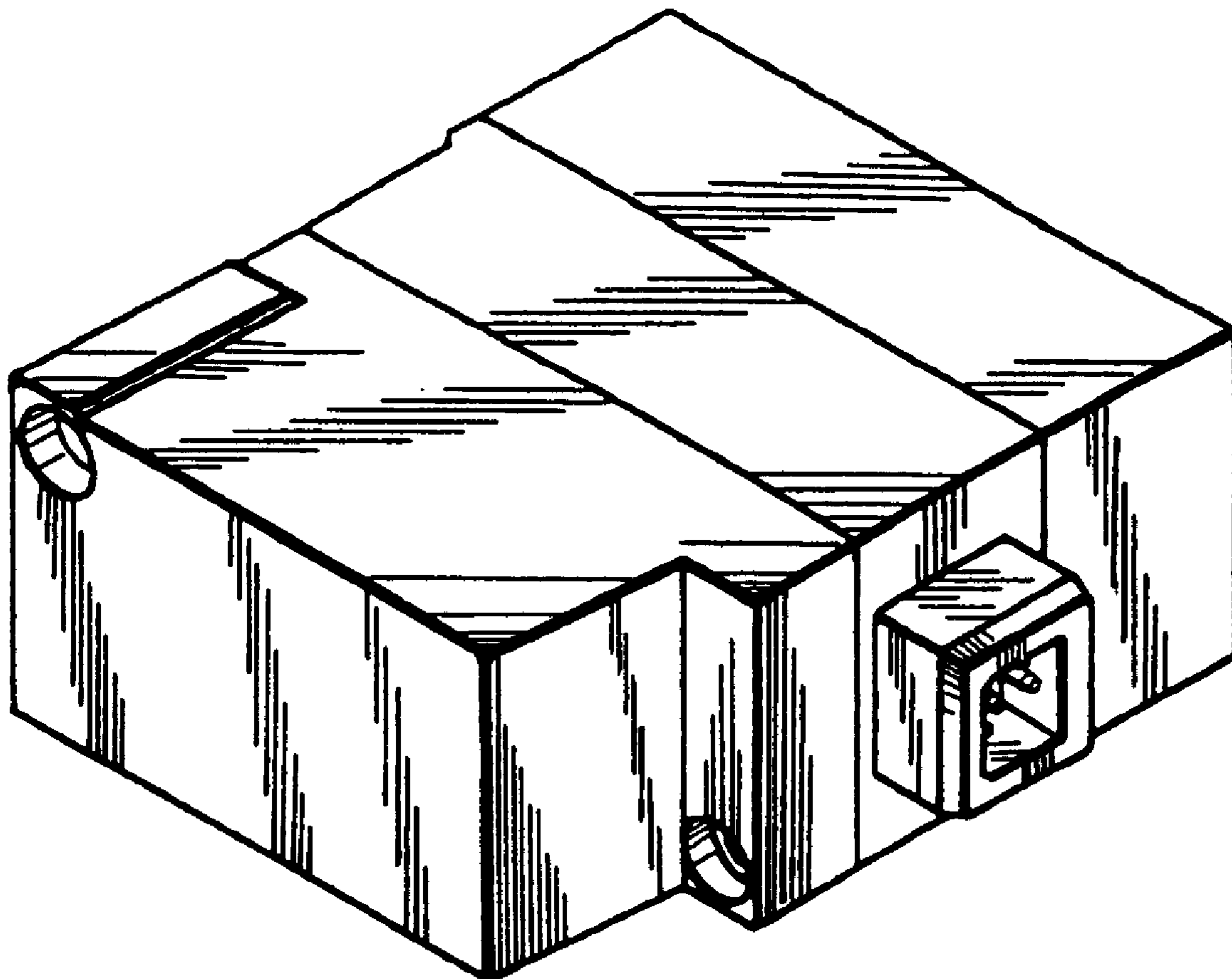


FIG. 1

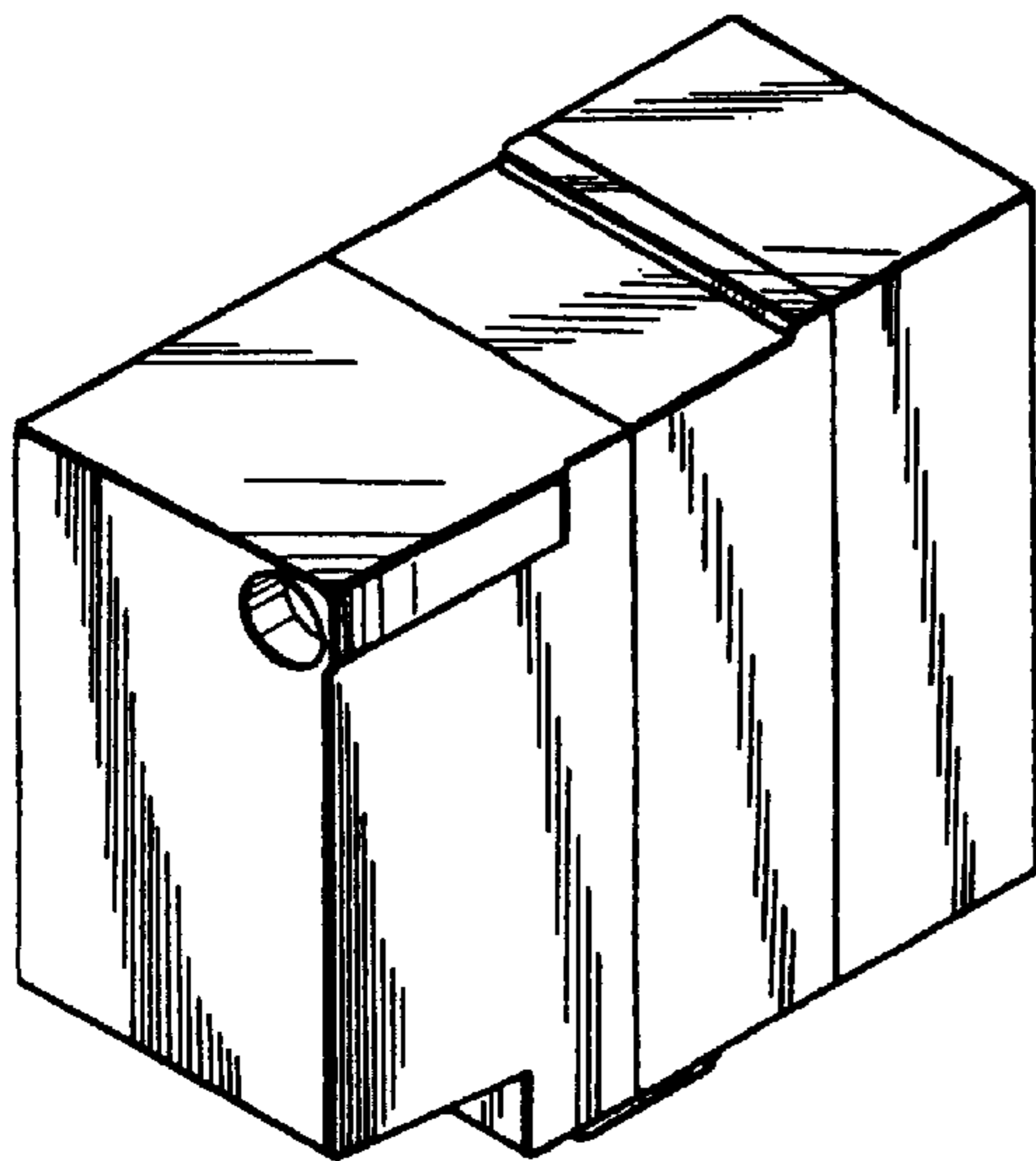


FIG. 2

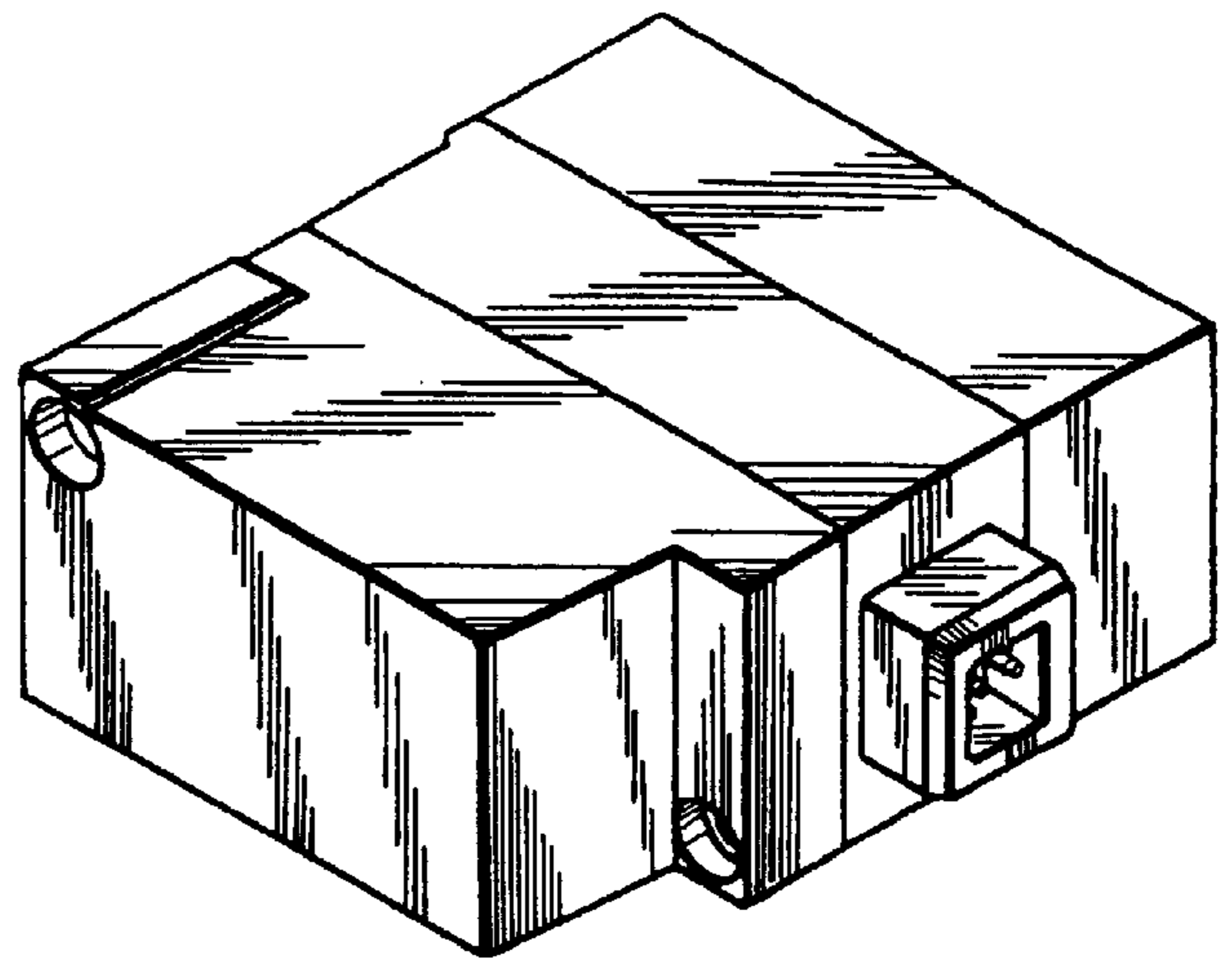


FIG. 9

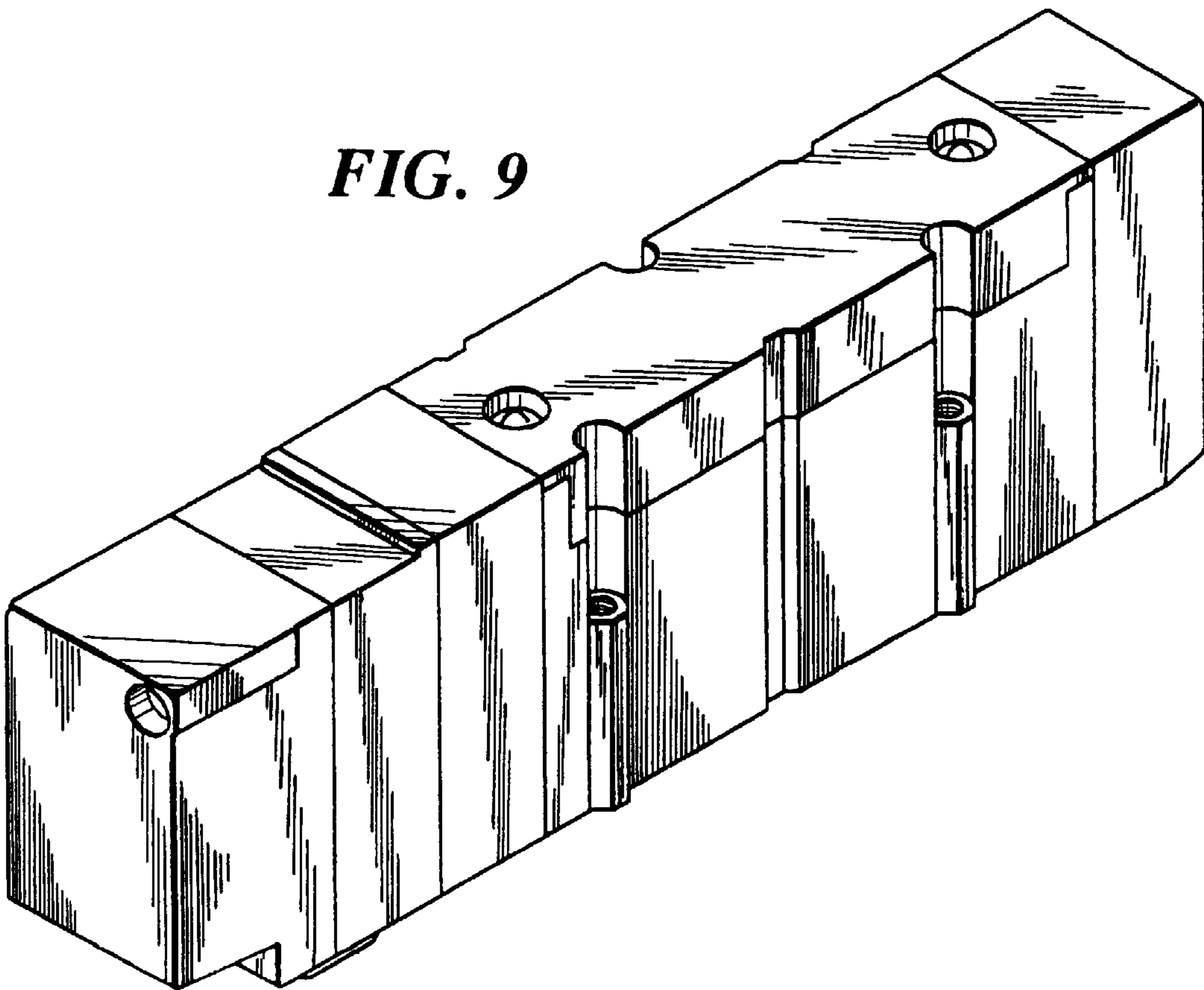


FIG. 3

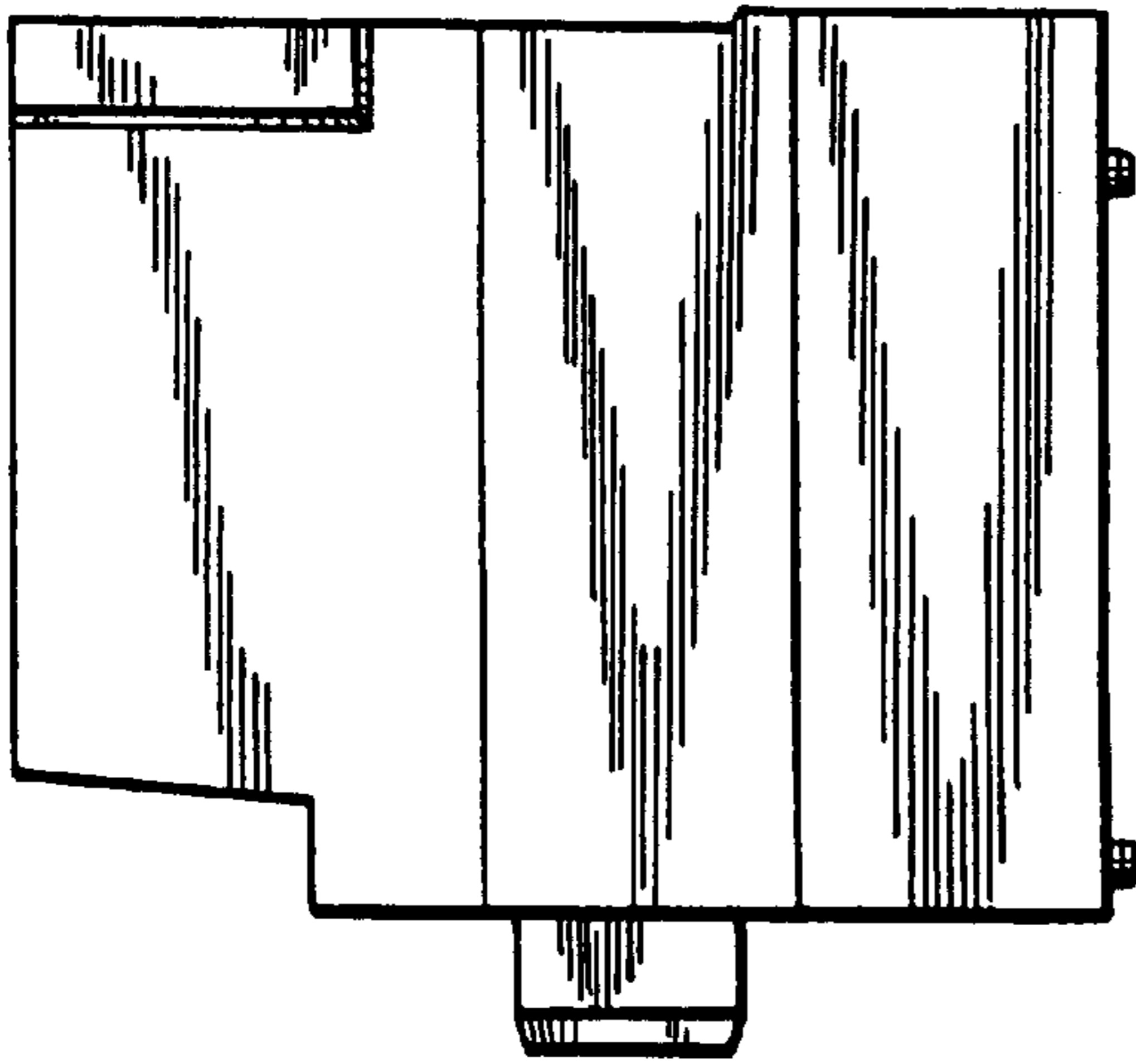


FIG. 4

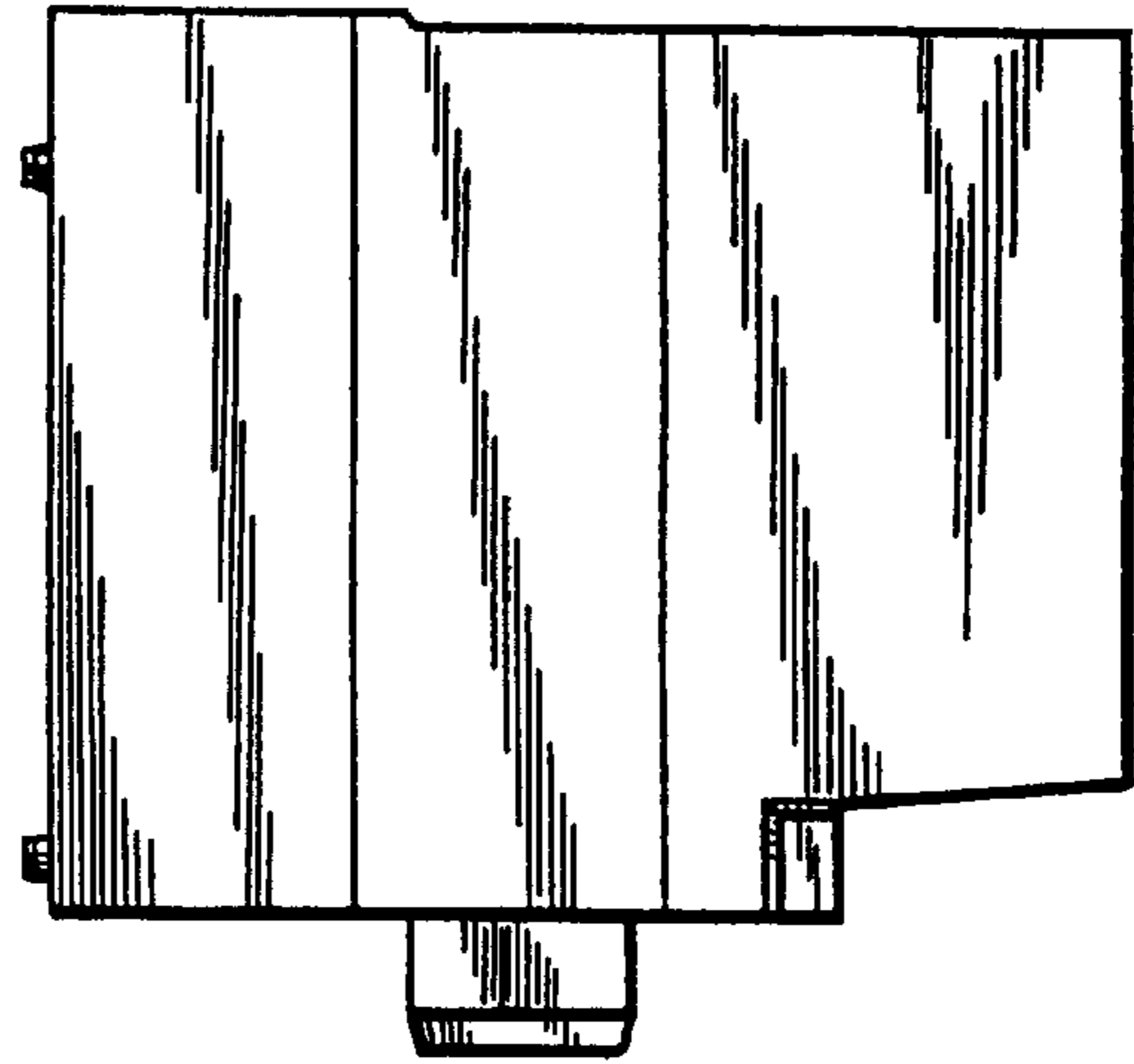


FIG. 5

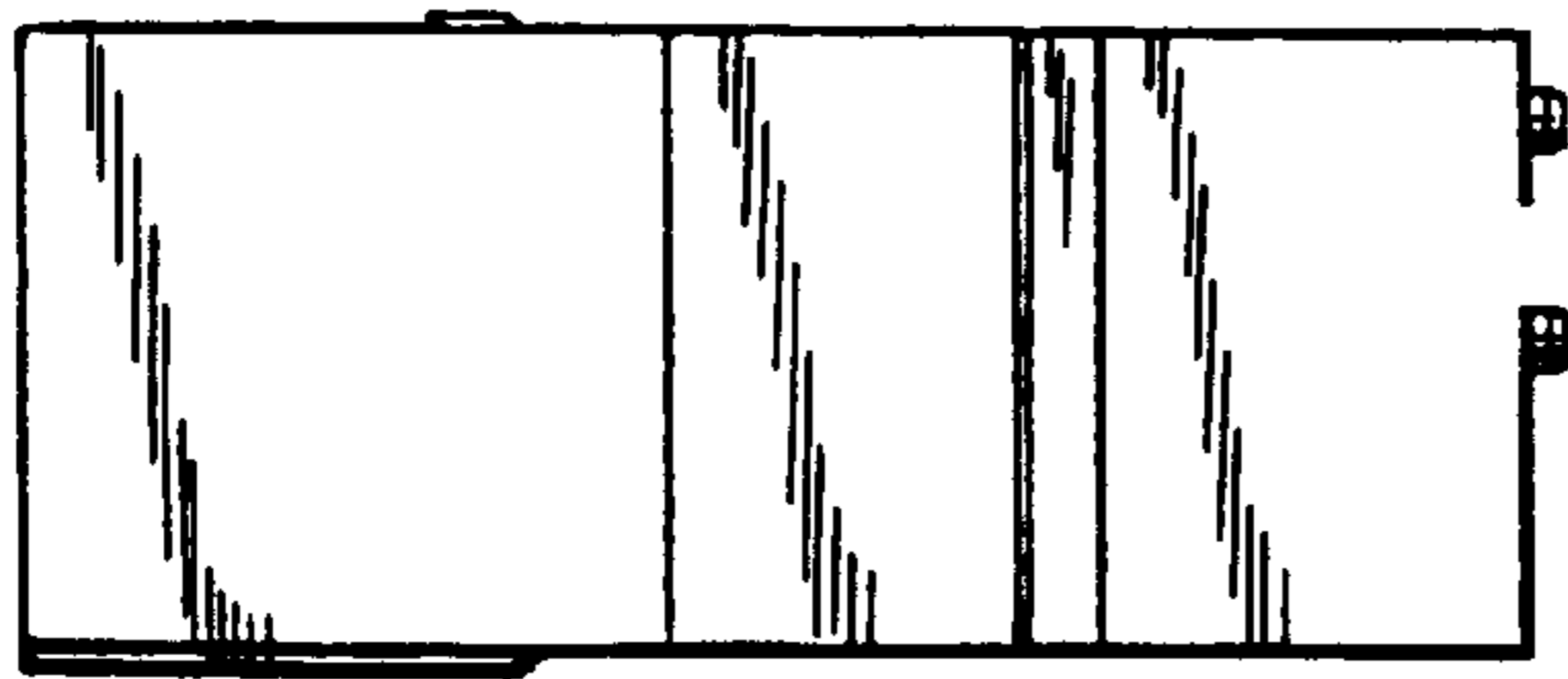


FIG. 6

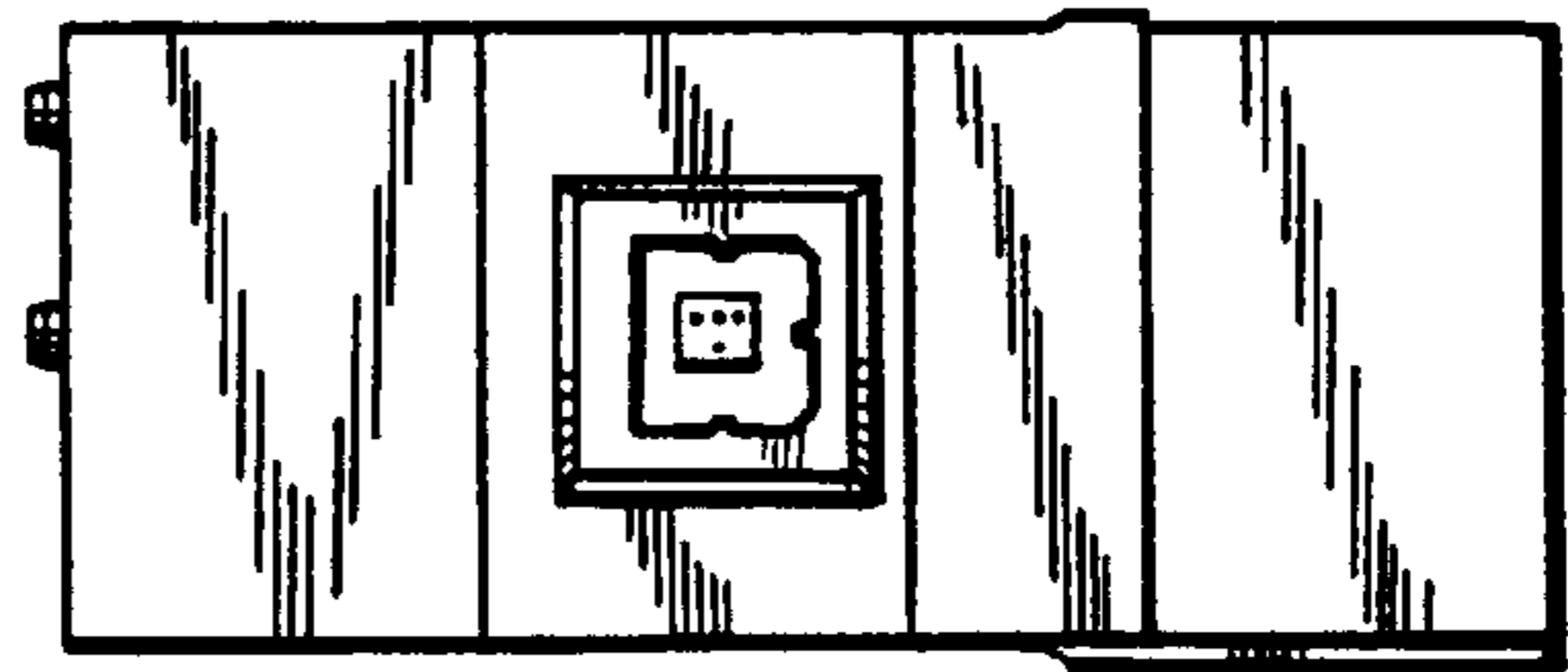


FIG. 7

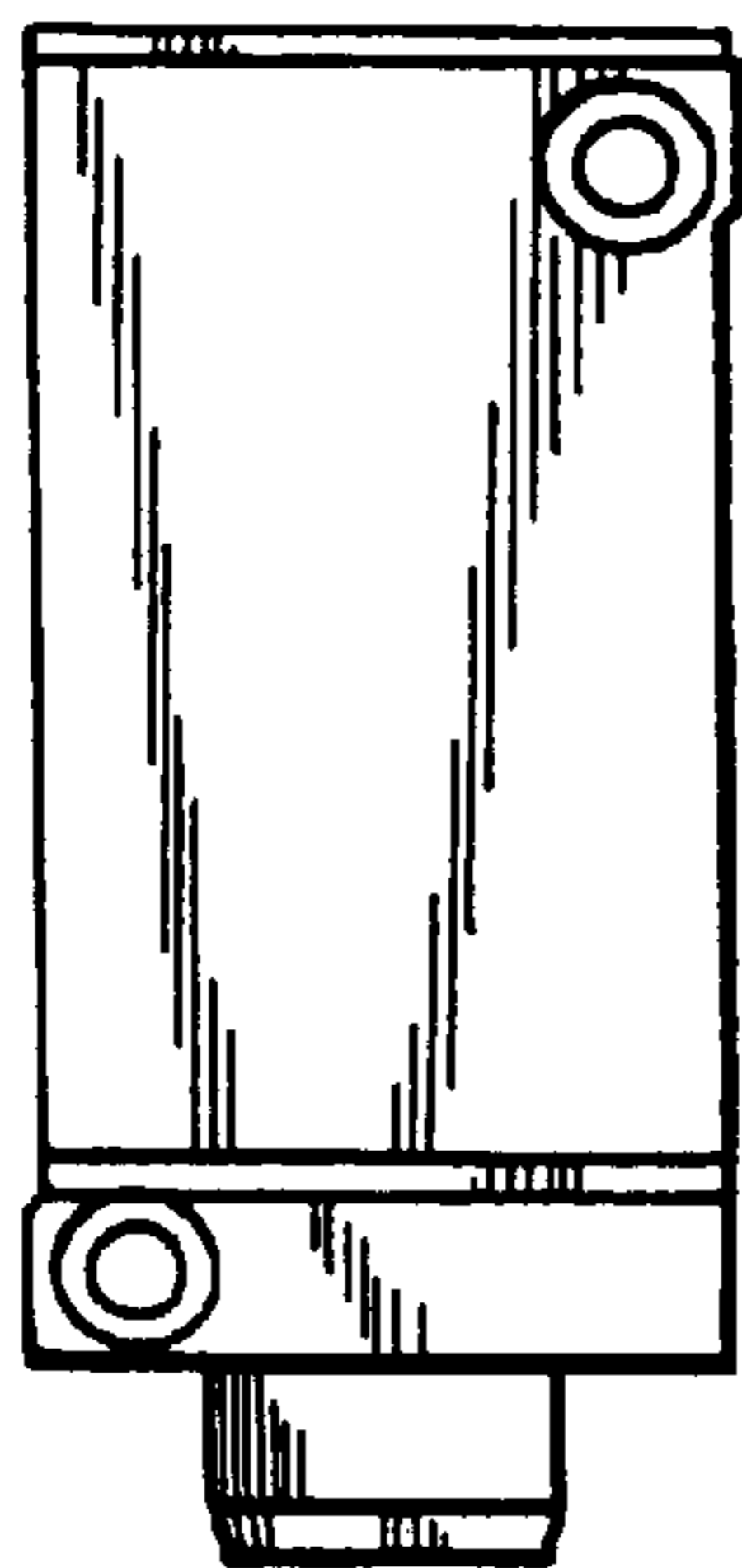


FIG. 8

