



US00D419641S

United States Patent [19]
Wilson

[11] **Patent Number: Des. 419,641**
[45] **Date of Patent: ** Jan. 25, 2000**

[54] **BLAST GUN**

[75] Inventor: **Mark Stephen Wilson**, Salisbury, Australia

[73] Assignee: **Handyfull Pty. Ltd.**, Salisbury, Australia

[**] Term: **14 Years**

[21] Appl. No.: **29/095,608**

[22] Filed: **Oct. 27, 1998**

[30] **Foreign Application Priority Data**

Jul. 1, 1998 [AU] Australia 1883/98

[51] **LOC (7) Cl.** **23-01**

[52] **U.S. Cl.** **D23/223; D23/213**

[58] **Field of Search** D23/213, 223, D23/226; D8/68; 239/459, 525-528

[56] **References Cited**

U.S. PATENT DOCUMENTS

D. 221,926 9/1971 Farkas D8/68
D. 291,113 7/1987 Bauer D23/213

D. 312,299 11/1990 Kao D23/226
D. 332,133 12/1992 Simonetti et al. D23/226
4,083,497 4/1978 Rosenberger 239/526
5,169,068 12/1992 Bertolini 239/526

Primary Examiner—Robin V. Taylor
Attorney, Agent, or Firm—Panitch Schwarze Jacobs & Nadel, P.C.

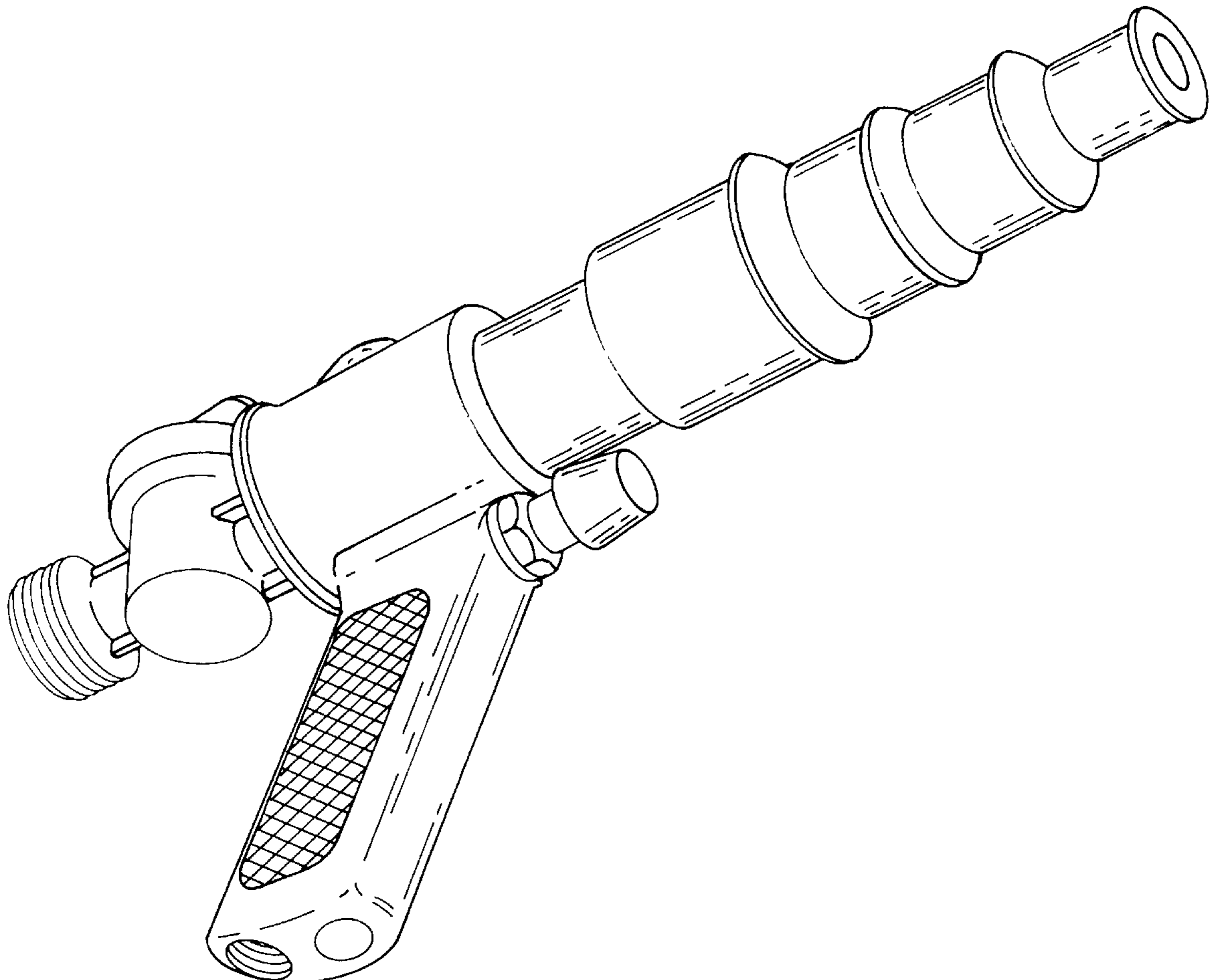
[57] **CLAIM**

The ornamental design for a blast gun, as shown and described.

DESCRIPTION

FIG. 1 is a right side view of a blast gun showing my new design;
FIG. 2 is a rear view of the blast gun of FIG. 1;
FIG. 3 is a front view of the blast gun of FIG. 1;
FIG. 4 is a left side view of the blast gun of FIG. 1;
FIG. 5 is an inverted plan view of the gun shown in FIG. 4;
FIG. 6 is a plan view of the blast gun shown in FIG. 1;
FIG. 7 is a bottom perspective view of the blast gun of FIG. 1; and,
FIG. 8 is a top/rear perspective view of the blast gun.

1 Claim, 6 Drawing Sheets



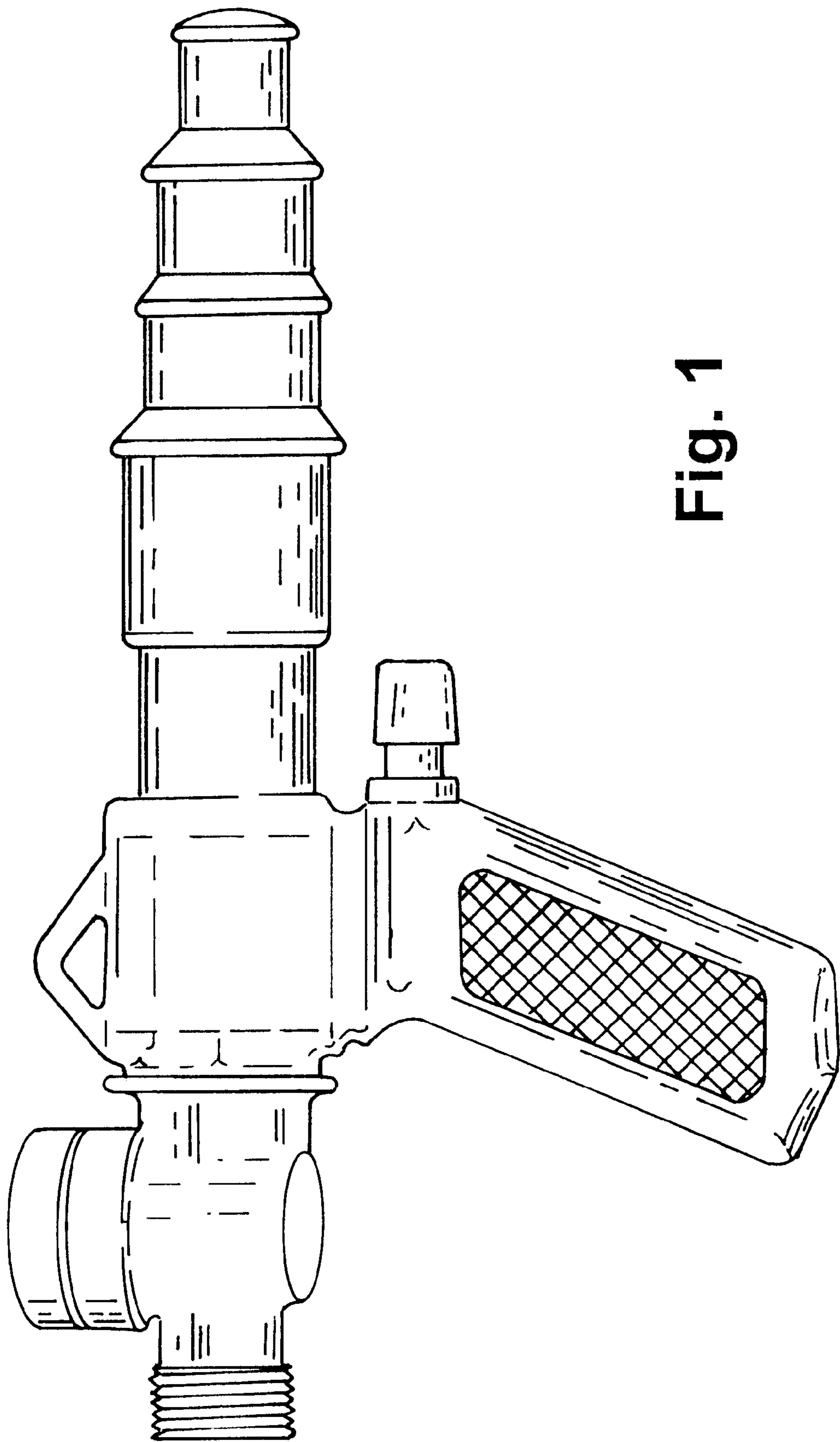


Fig. 1

Fig. 3

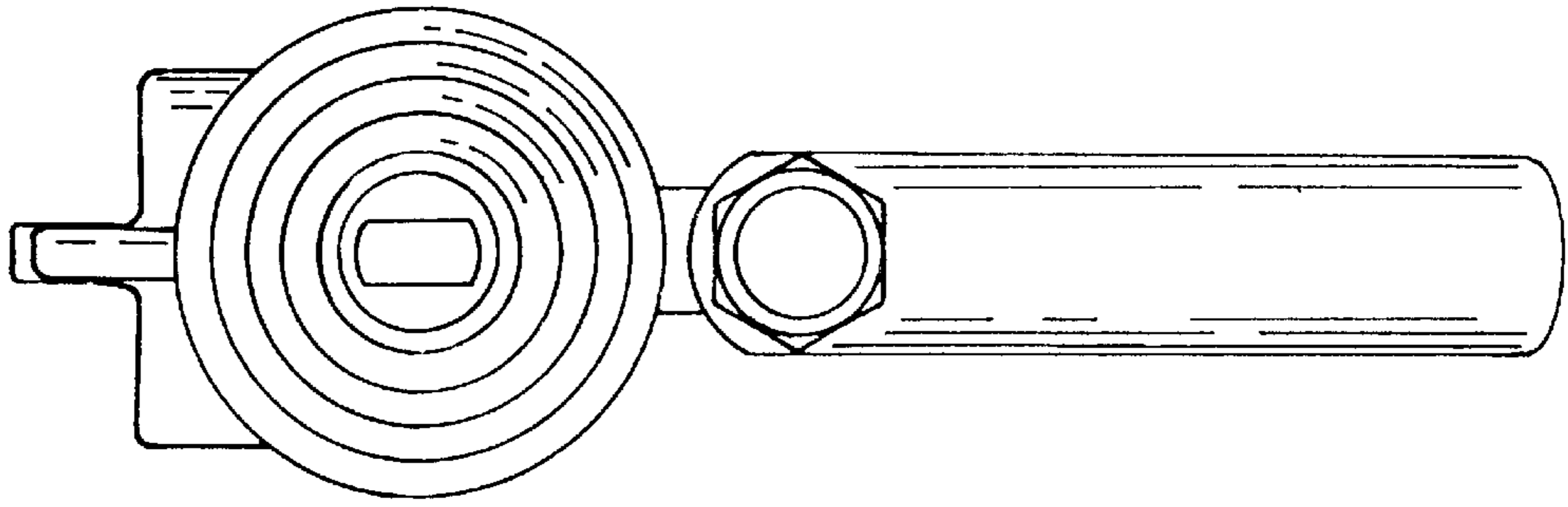
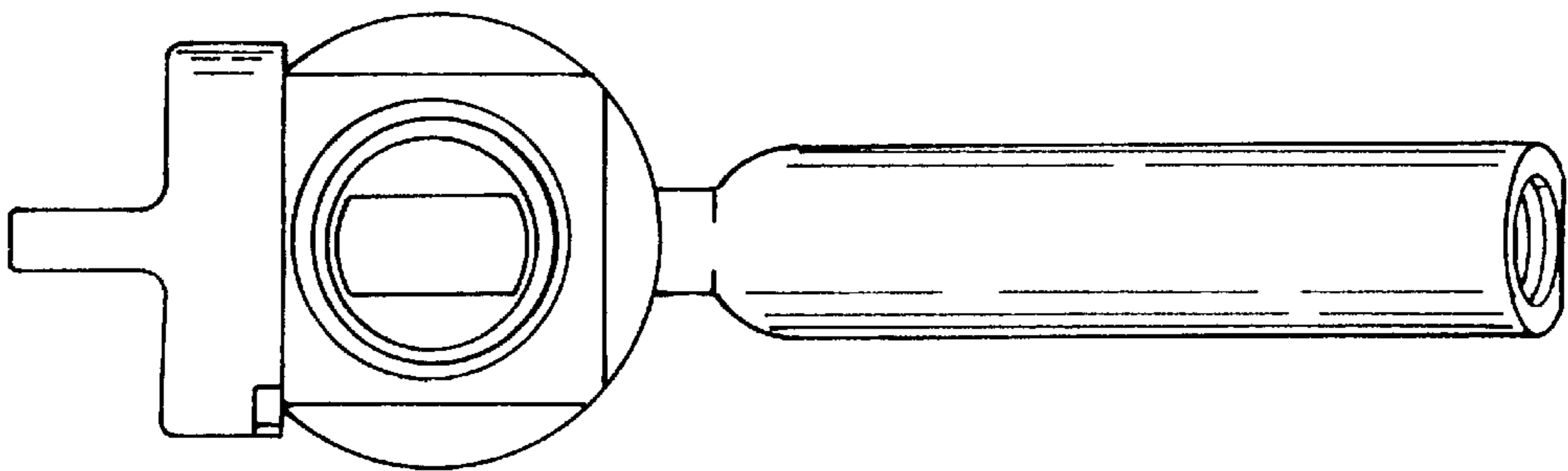


Fig. 2



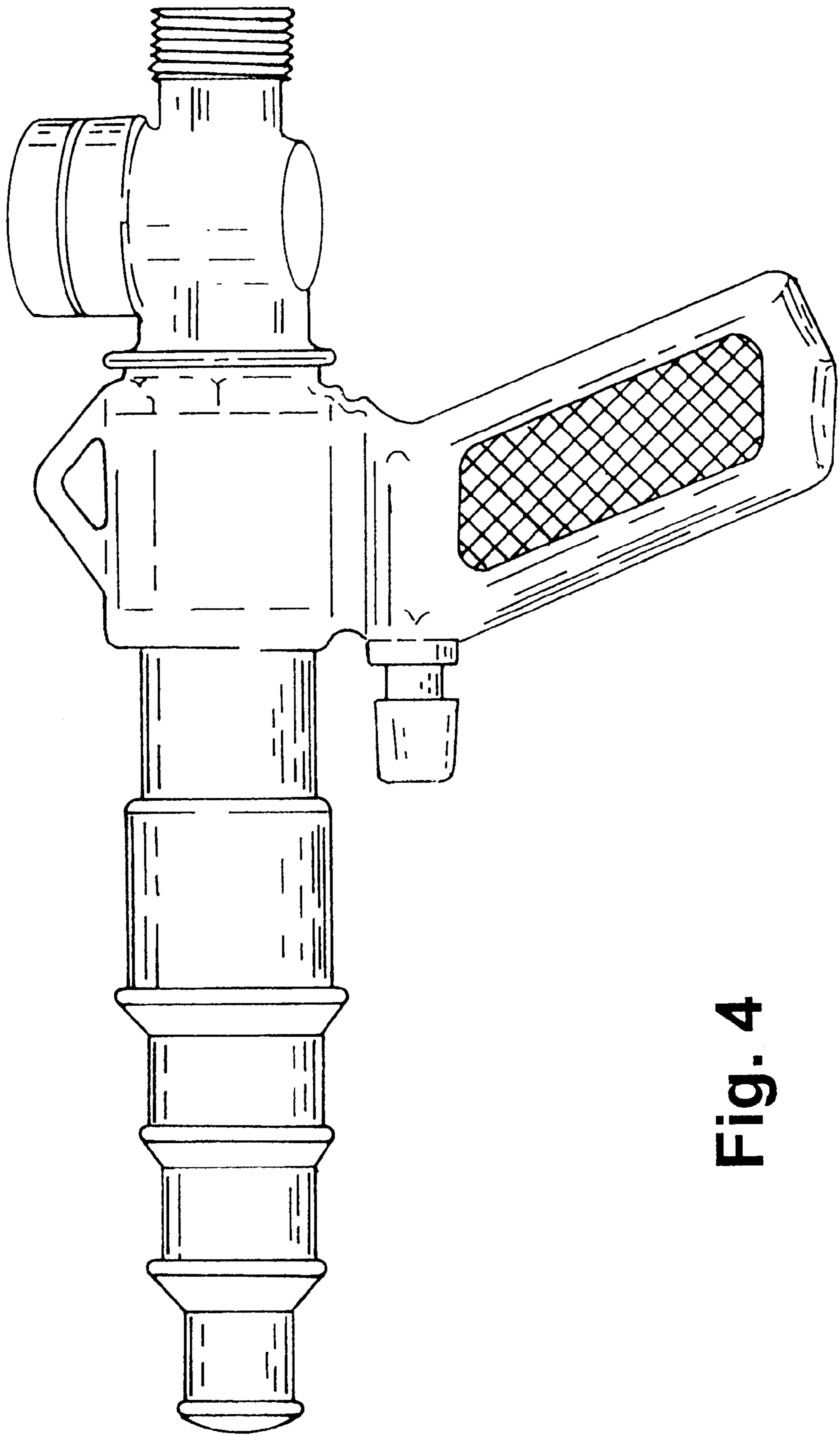


Fig. 4

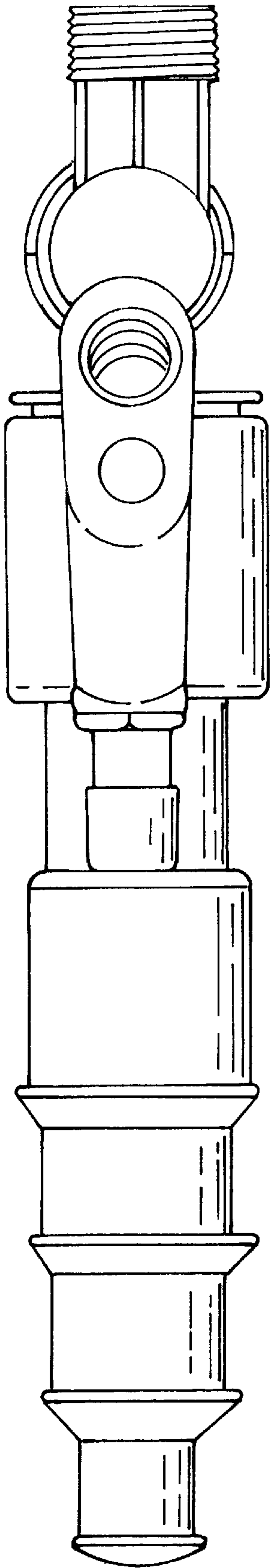


Fig. 5

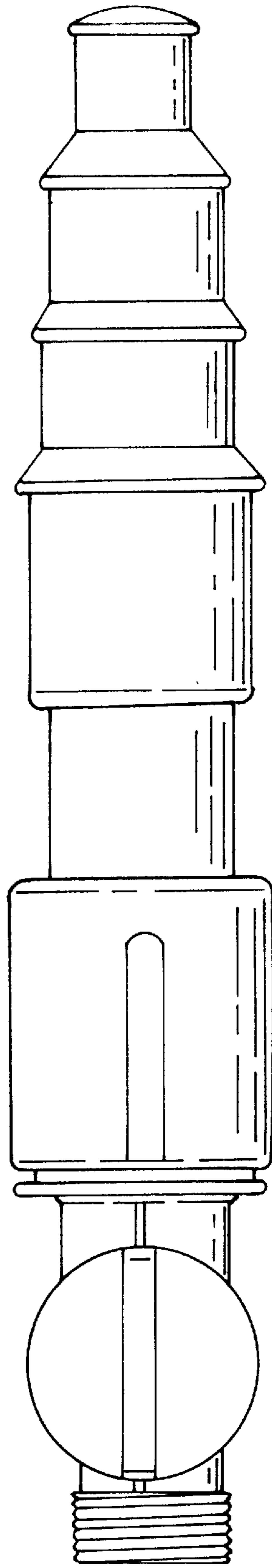


Fig. 6

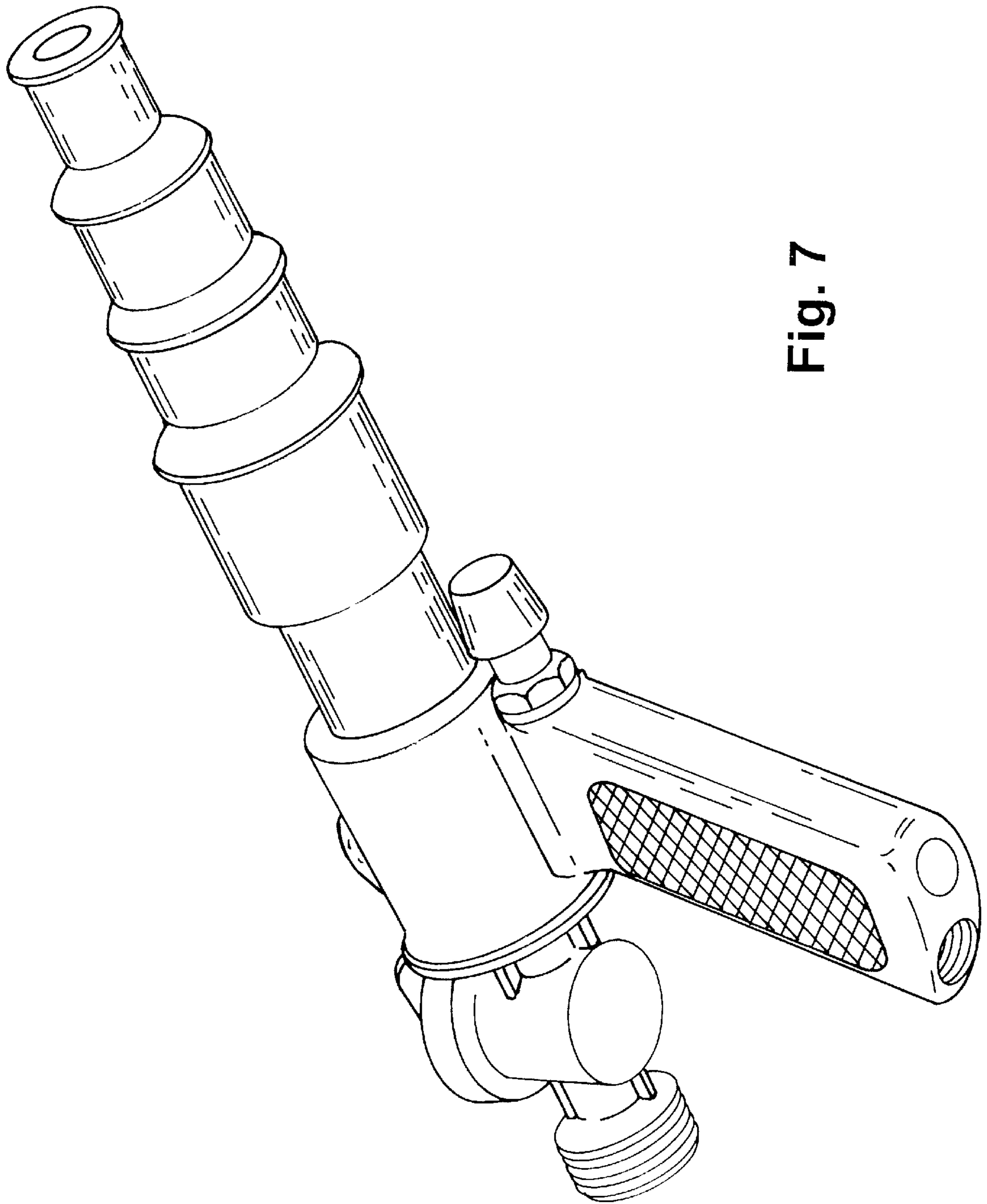


Fig. 7

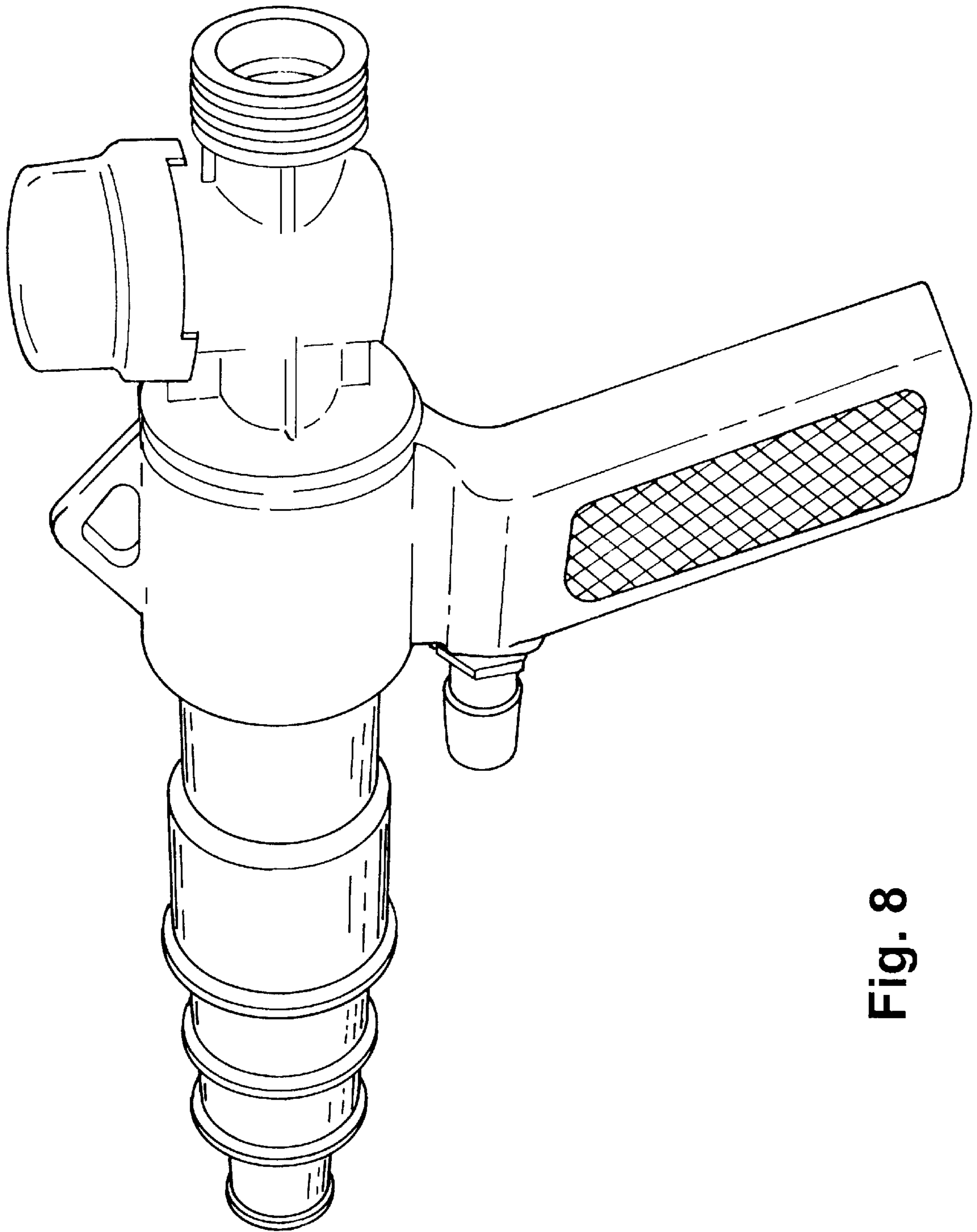


Fig. 8