



US00D419639S

# United States Patent [19] Ormiston

[11] **Patent Number: Des. 419,639**

[45] **Date of Patent: \*\* Jan. 25, 2000**

[54] **LAWN SPRINKLER**  
[76] Inventor: **Timothy G. Ormiston**, 1717 Sycamore St., Twin Lakes, Wis. 53181

3,170,171 2/1965 Mayhew et al. .... 239/567  
3,326,551 6/1967 Clarke ..... 239/567  
4,498,627 2/1985 Arginsky ..... 239/279

[\*\*] Term: **14 Years**

*Primary Examiner*—Robin V. Taylor  
*Attorney, Agent, or Firm*—Jansson, Shupe, Bridge & Munger, Ltd.

[21] Appl. No.: **29/097,436**

[57] **CLAIM**

[22] Filed: **Dec. 7, 1998**

The ornamental design for a lawn sprinkler, as shown and described.

[51] **LOC (7) Cl.** ..... **23-01**

[52] **U.S. Cl.** ..... **D23/214**

[58] **Field of Search** ..... D23/213–215,  
D23/217; 239/16–20, 201, 211, 279, 557–8,  
567

**DESCRIPTION**

FIG. 1 is a perspective view of a lawn sprinkler in accordance with the present invention.

FIG. 2 is a front elevational view of the lawn sprinkler of FIG. 1.

FIG. 3 is a top plan view of the lawn sprinkler of FIG. 1.

FIG. 4 is a side elevational view of the lawn sprinkler of FIG. 1.

FIG. 5 is a perspective view of the lawn sprinkler shown in an alternate use; and,

FIG. 6 is a front elevational view of the lawn sprinkler of FIG. 5.

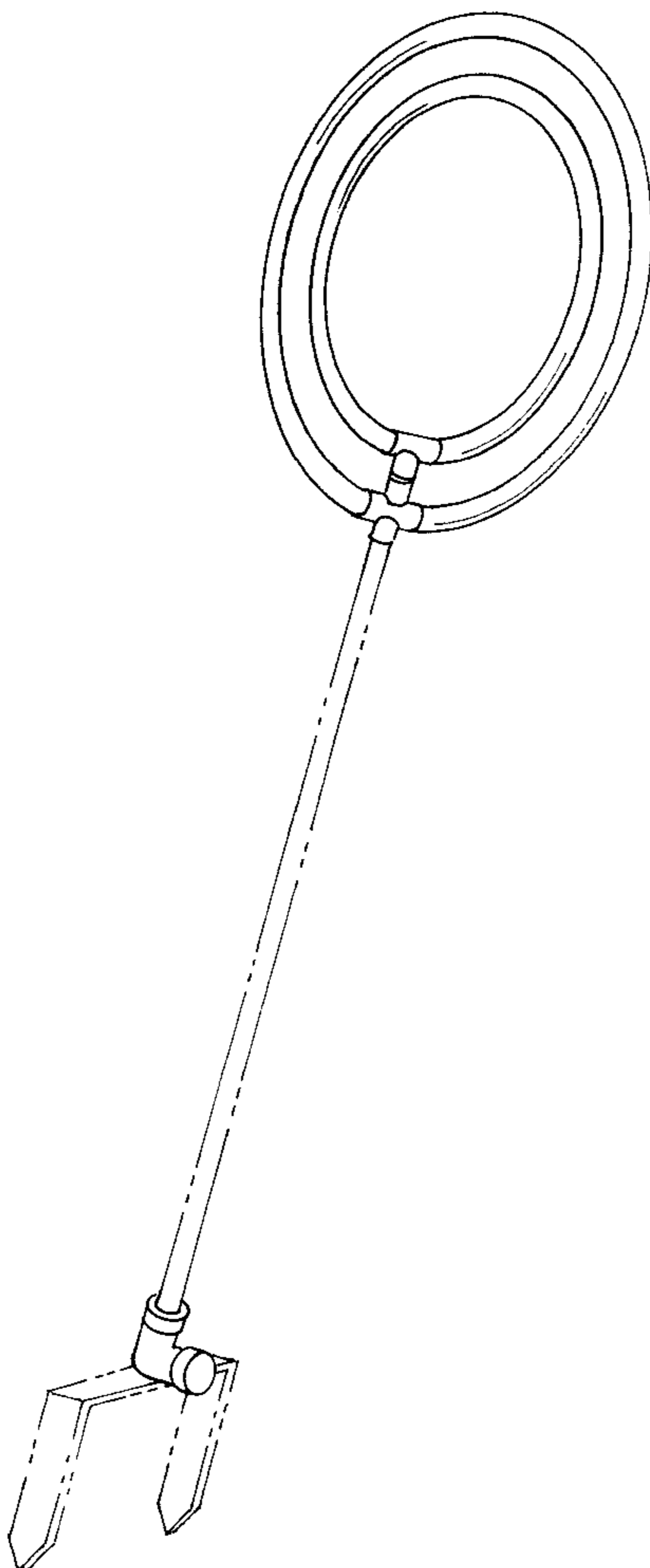
The broken lines shown in the drawings are for illustrative purposes only and for no part of the claimed design.

[56] **References Cited**

**U.S. PATENT DOCUMENTS**

D. 225,328	12/1972	Margrill	.....	D23/1
D. 232,088	7/1974	Margrill	.....	D23/214
D. 390,312	2/1998	West et al.	.....	D23/215
D. 390,313	2/1998	Smith	.....	D23/215
D. 390,911	2/1998	Smith	.....	D23/214
D. 391,339	2/1998	Smith	.....	D23/214
D. 403,743	1/1999	Smith	.....	D23/214
1,758,767	5/1930	Taggart	.	
1,847,763	3/1932	Keys	.	

**1 Claim, 5 Drawing Sheets**



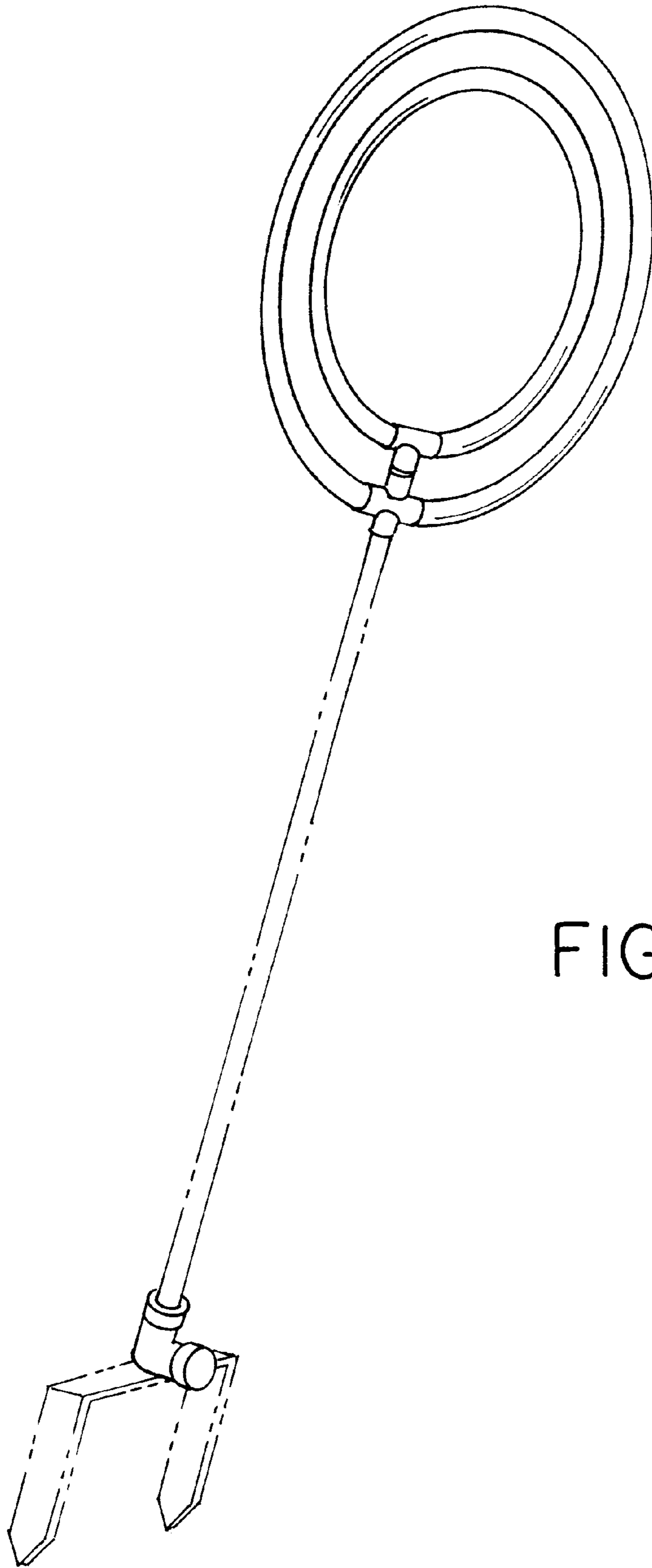


FIG. 1

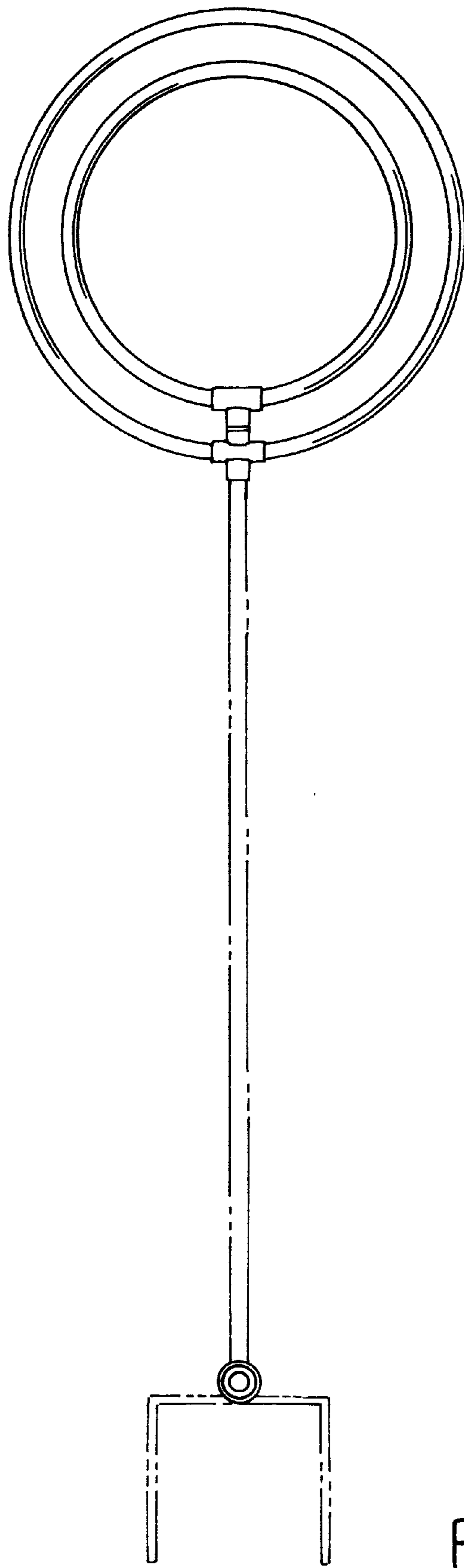


FIG. 2



FIG. 4

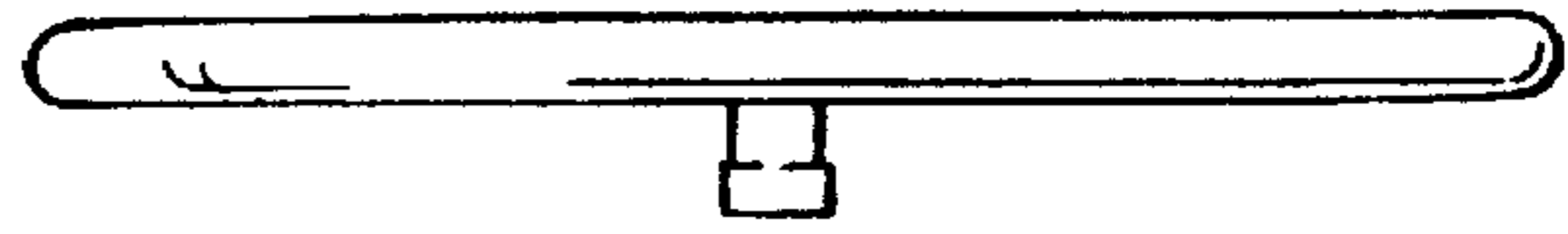


FIG. 3

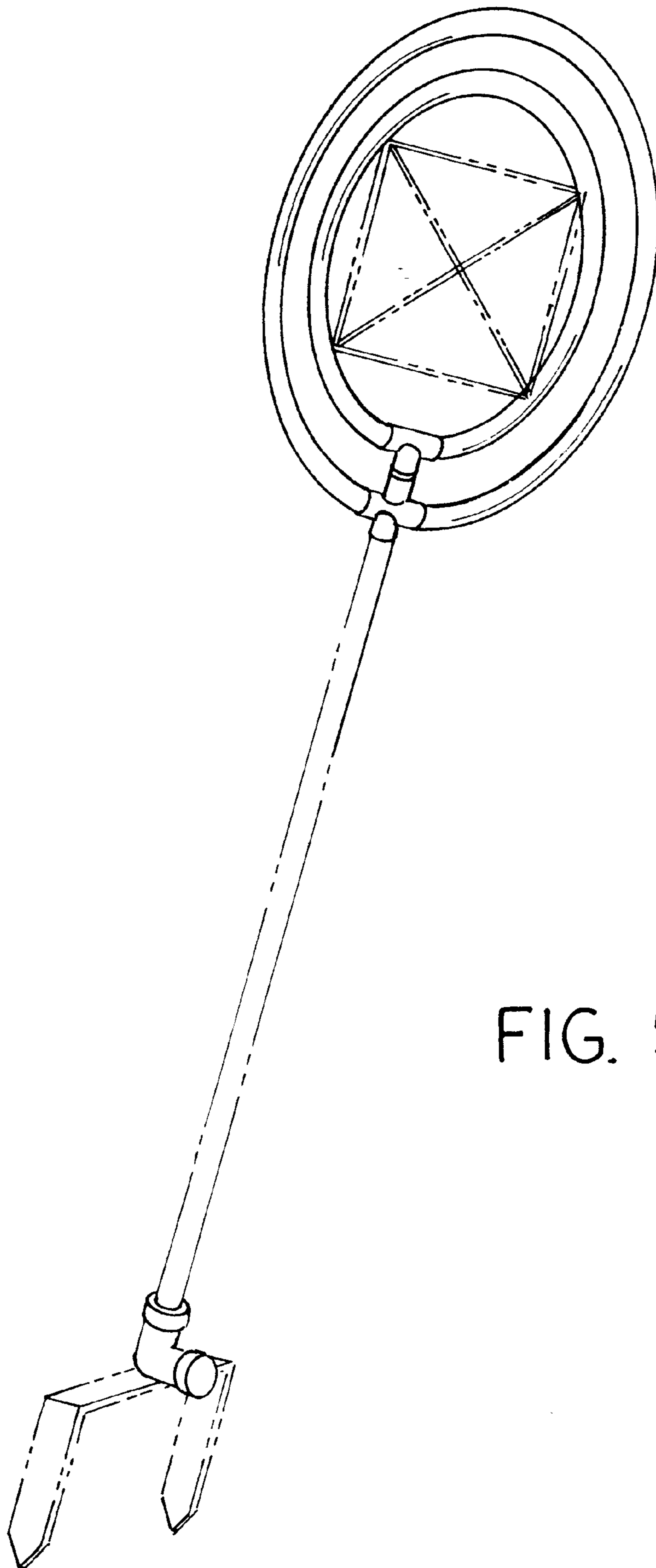


FIG. 5

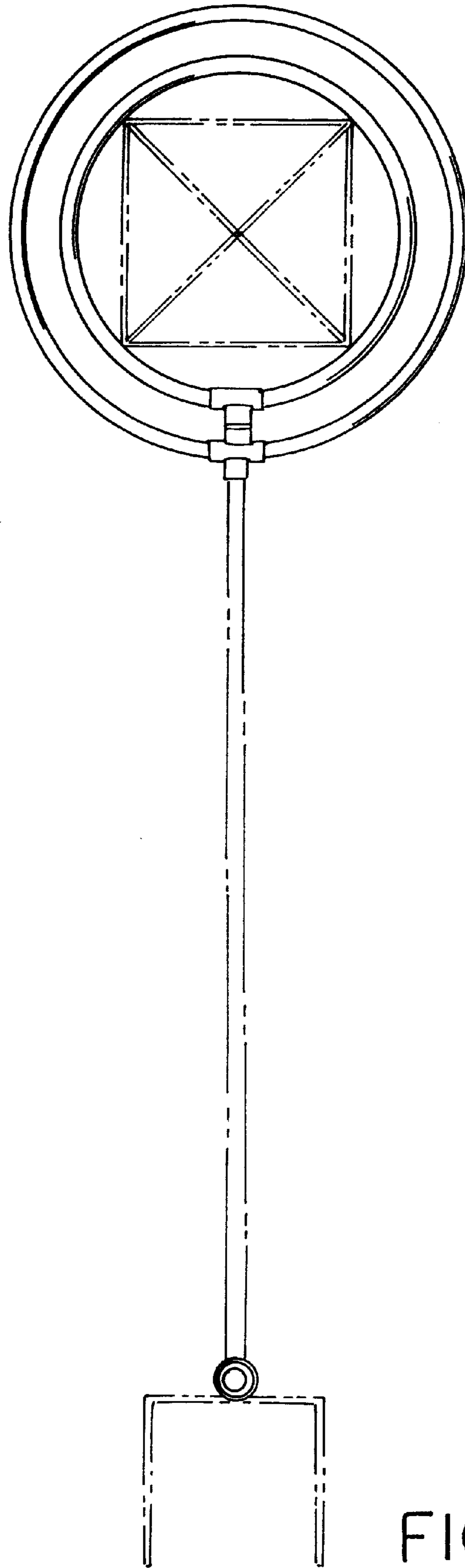


FIG. 6