



US00D419638S

United States Patent [19]
Patterson

[11] **Patent Number: Des. 419,638**

[45] **Date of Patent: ** Jan. 25, 2000**

[54] **MAGNETIC WATER CONDITIONER**

[76] Inventor: **A. Steven Patterson**, 1510 Lake St.,
Gastonia, N.C. 28052

[**] Term: **14 Years**

[21] Appl. No.: **29/091,417**

[22] Filed: **Jul. 28, 1998**

D. 279,027 5/1985 Weisenbarger et al. D23/207
D. 323,699 2/1992 Ambrose D23/207
D. 342,304 12/1993 Kashani D23/207
4,888,113 12/1989 Holcomb 210/222

Primary Examiner—Robin V. Taylor
Attorney, Agent, or Firm—Dougherty & Associates

[57] **CLAIM**

The ornamental design for magnetic water conditioner, as shown and described.

Related U.S. Application Data

[62] Division of application No. 08/408,688, Mar. 21, 1995.

[51] **LOC (7) Cl.** **23-01**

[52] **U.S. Cl.** **D23/207**

[58] **Field of Search** D23/200, 207,
D23/209; 210/222, 223, 695

DESCRIPTION

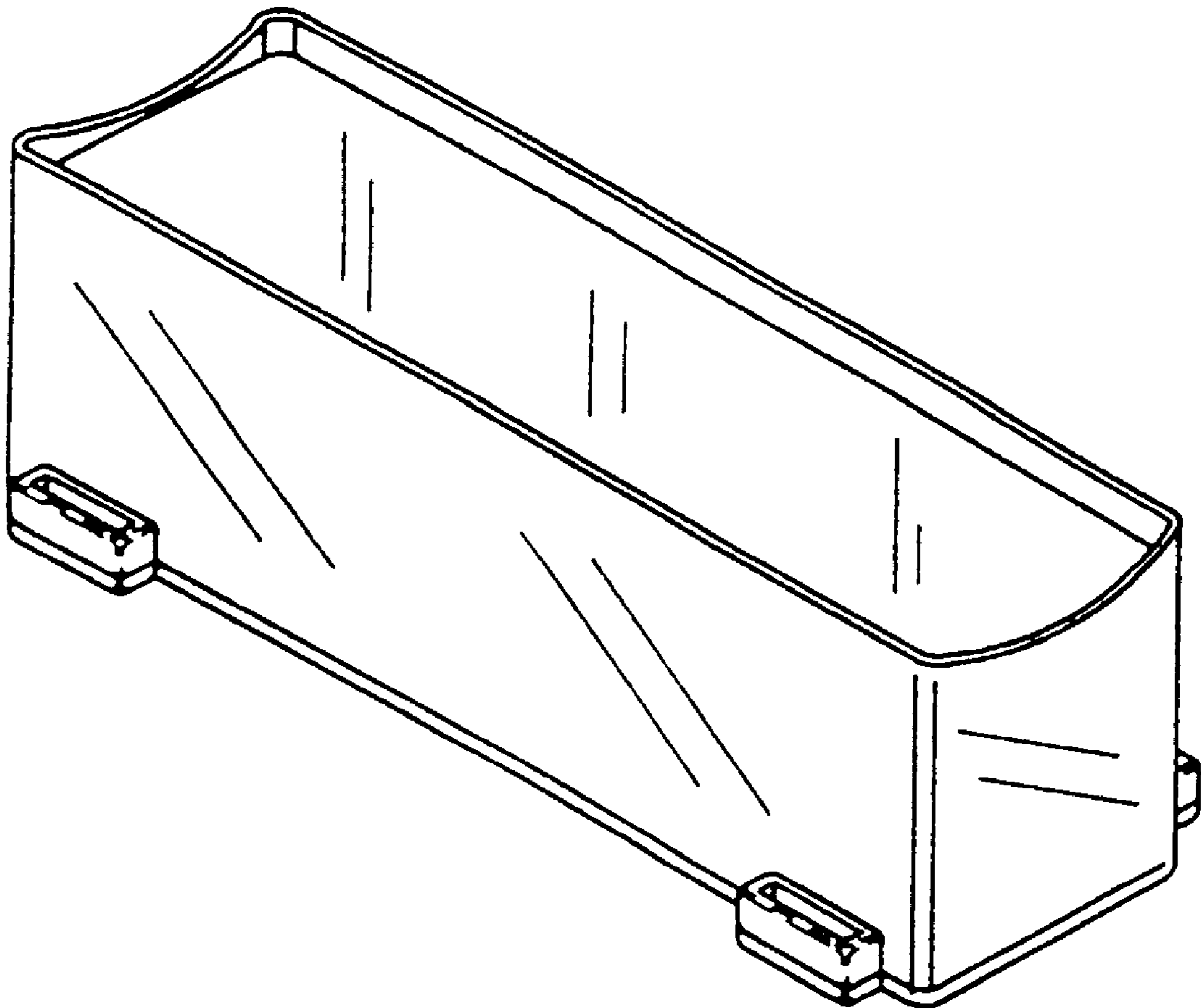
FIG. 1 is a perspective view of a magnetic water conditioner showing my design;
FIG. 2 is a top view thereof;
FIG. 3 is an end view thereof, the opposite end view being identical;
FIG. 4 is a side elevational view thereof, the opposite side being a mirror image; and,
FIG. 5 is a bottom view thereof.

[56] **References Cited**

U.S. PATENT DOCUMENTS

D. 262,987 2/1982 Carpenter D23/207

1 Claim, 1 Drawing Sheet



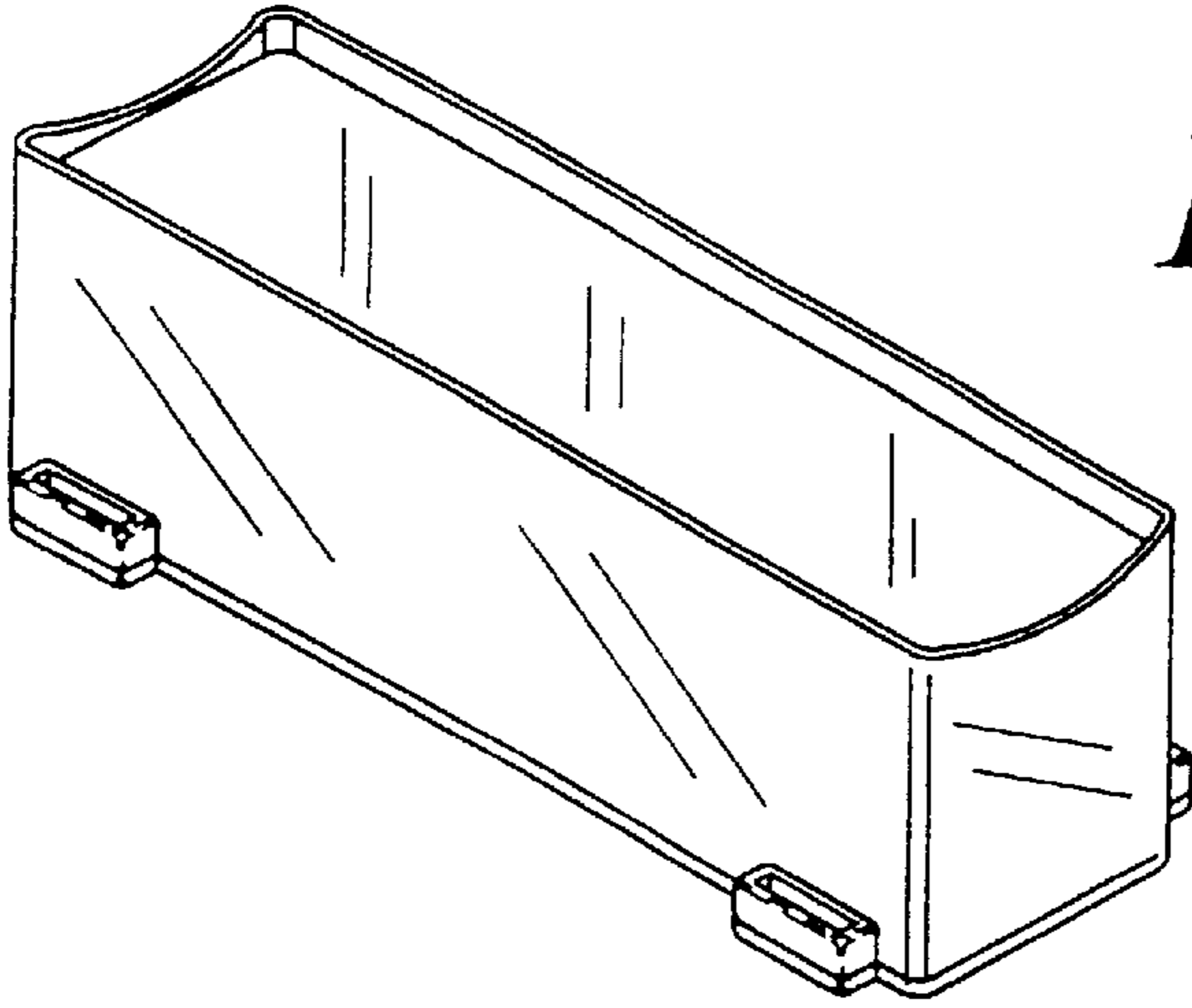


Fig. 1

Fig. 2

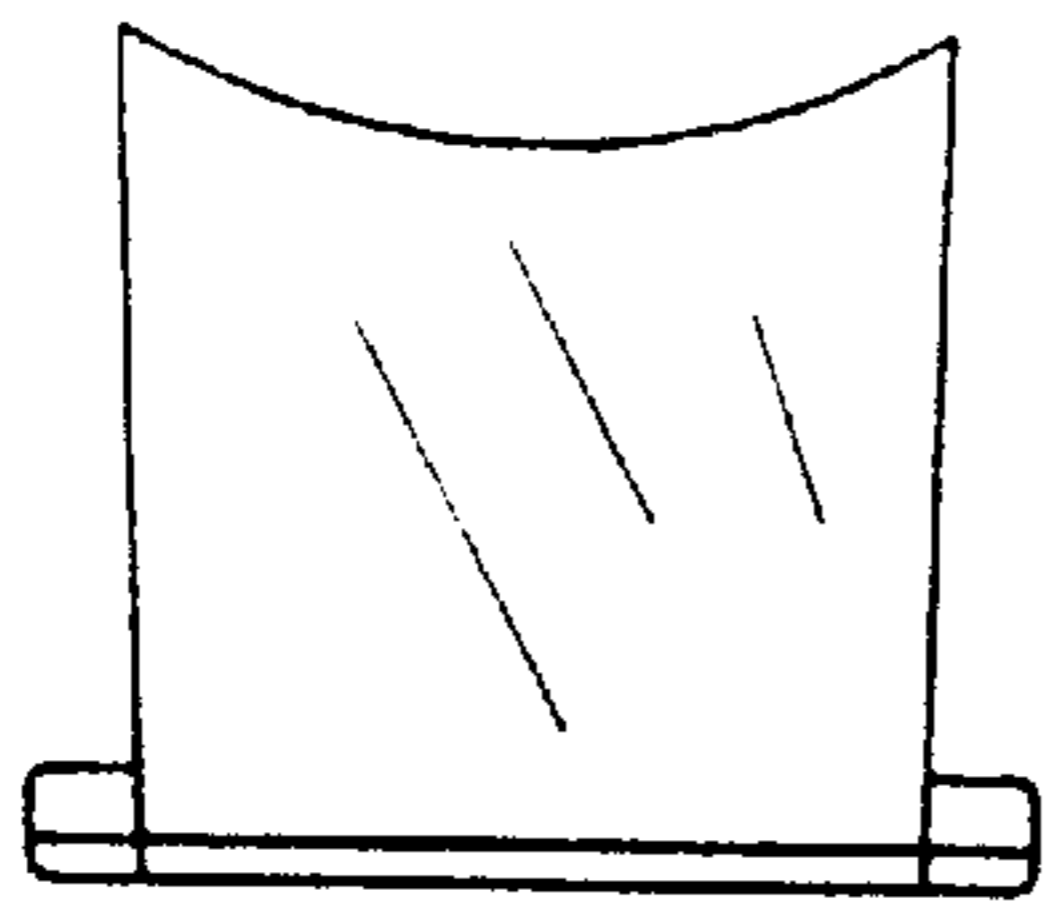
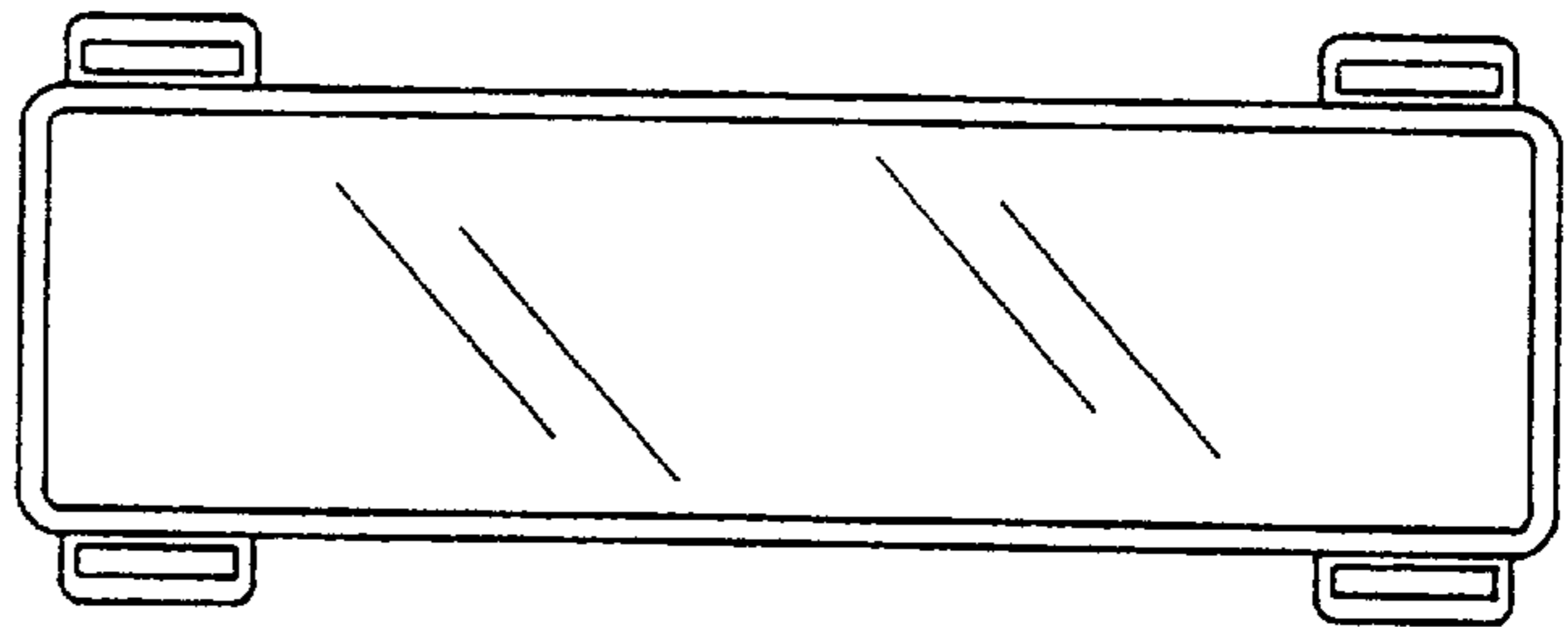


Fig. 3

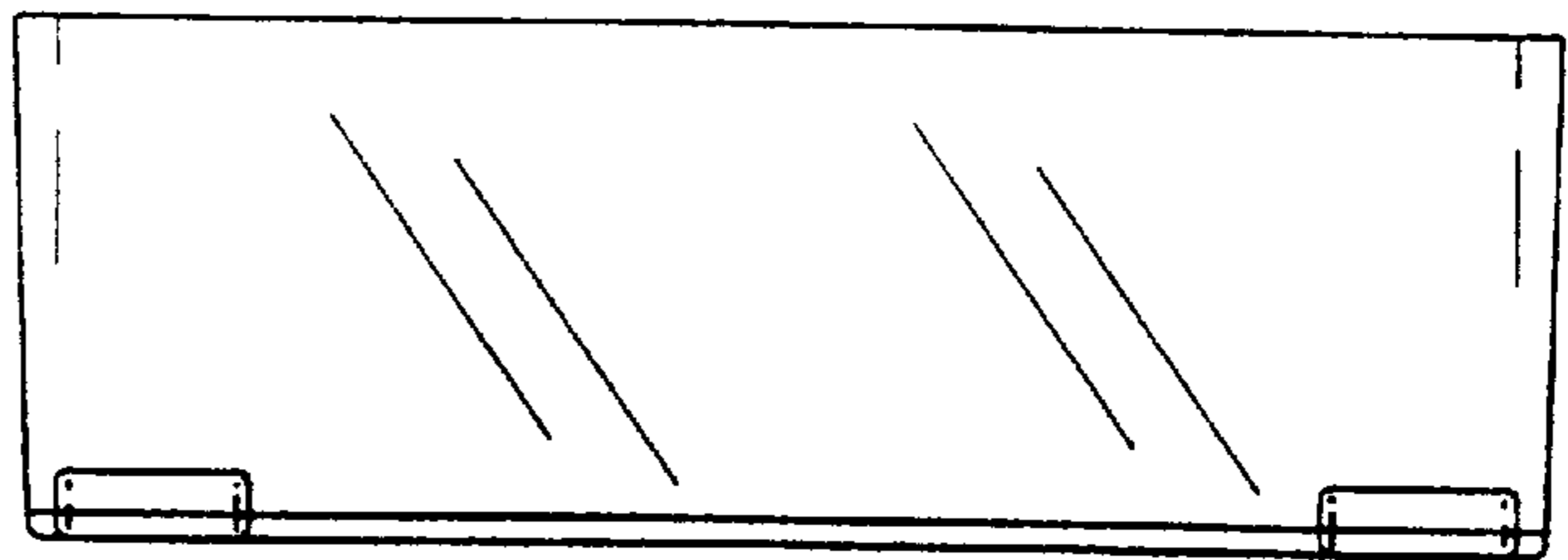


Fig. 4

Fig. 5

